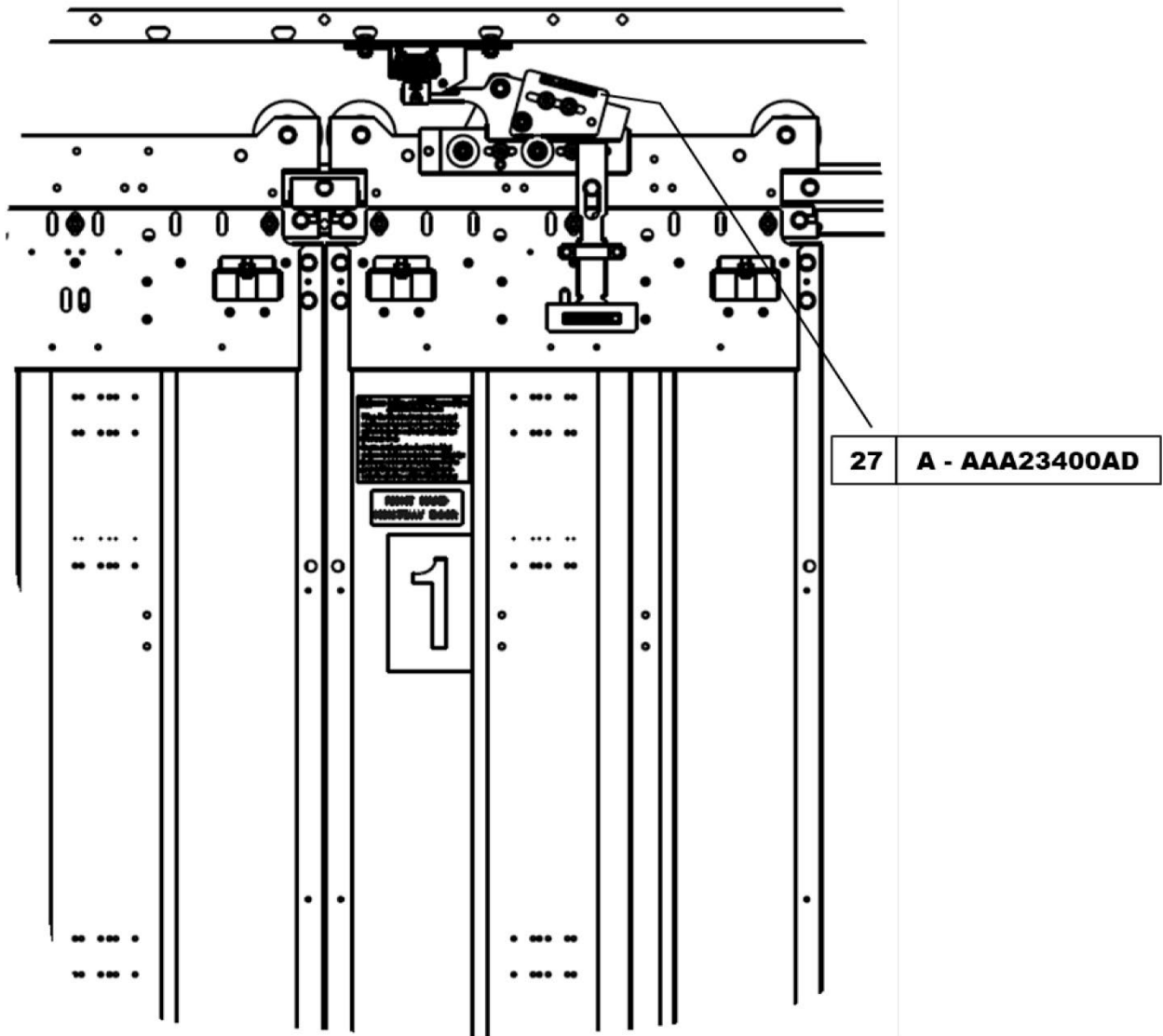


Interlock Assembly: AG Interlock

Spare Parts Leaflet 27-AAA23400AD

June 26, 2024 / Page 1 of 8



OTIS

This document contains technical data
subject to EAR. ECCN=EAR99

SERVICE ENGINEERING
Otis Elevator Company
Bloomfield, Connecticut USA

Unpublished Work—© Otis Elevator Co.; 2024

History

27-AAA23400AD

Leaflet Description

This leaflet provides information for the AG (Advanced Global) AAA23400AD interlock assembly that is used for the NG door system. Each hoistway door requires an interlock assembly consisting of lock, switch, and unlocking key. This leaflet reflects the information of the interlock assembly and the lowest replaceable parts.

Leaflet Revisions

Date Revised	Subject Matter Expert	Reason for Revision
June 26, 2024	Michael Tracey James Chmiel	New SPL

Related Drawings

Drawing No.	Title	Drawing No.	Title
AAA23400AD	Interlock Arrangement	AAA23400X	Unlocking Device Assembly
AAA23400AB	Interlock Assembly		
AAA23400AC	Interlock Switch Assembly		

Related Documents

Document ID	Title
SPL 25-AAA23101P	NG Hoistway Door System: Center-Opening with Single Lock, Single Slide and Two-Speed
SPL 26-AAA23402M	Door Weight Closer

Subject Matter Expert

Name	Department
Michael Tracey, James Chmiel	Engineering, OECF

About Spare Parts Leaflets...

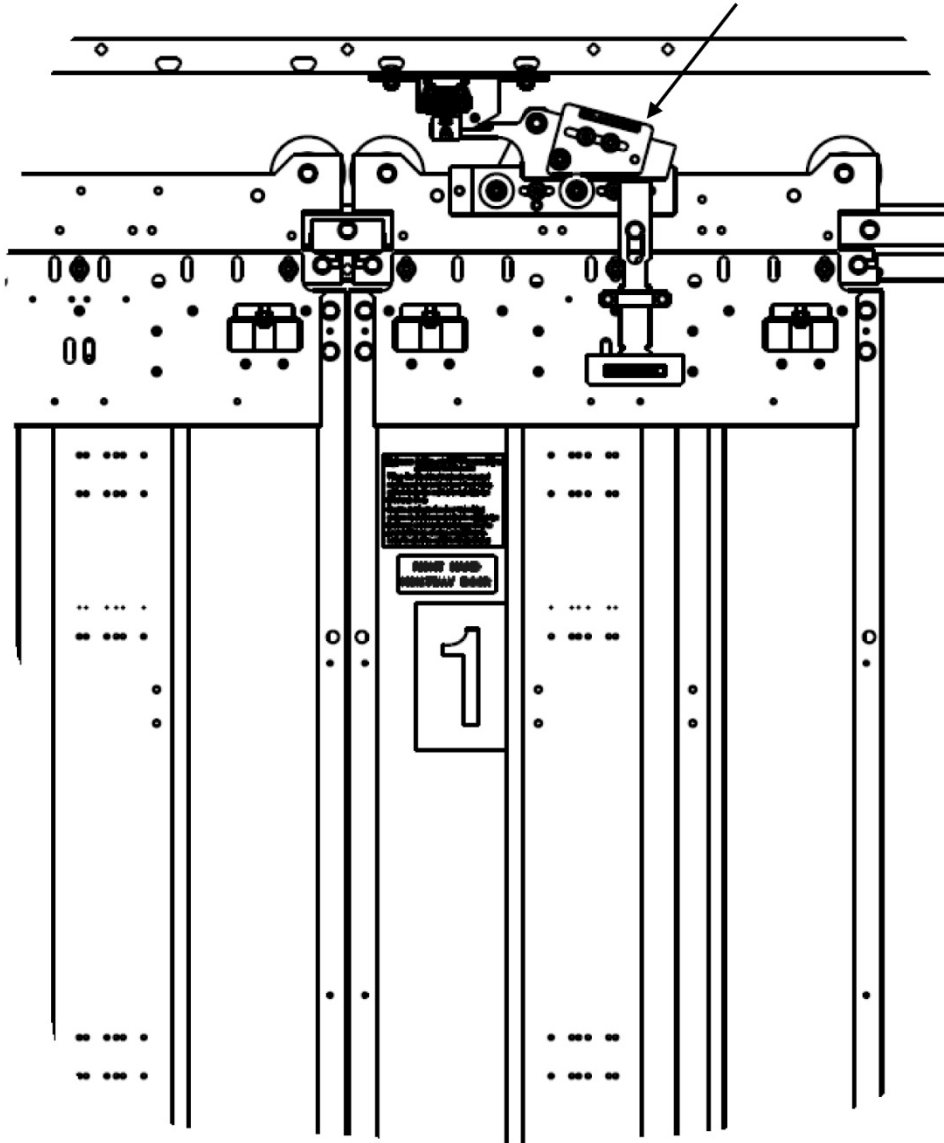
This document lists the lowest replaceable units (LRUs) for the standard version of the product. The LRUs are chosen by a team of Otis associates representing engineering and manufacturing.

While goal of this document is to make parts identification as easy as possible, the document cannot be all-inclusive. Elevator and escalator contracts classified as “special” or “custom” are not addressed here. For such contracts, please refer to specified information, the contract folder, TIPs, Field Education Articles, Construction Letters, etc. for further information.

If you have suggestions about this document, please contact the subject matter expert listed on this page.

Table of Contents

27-AAA23400AD

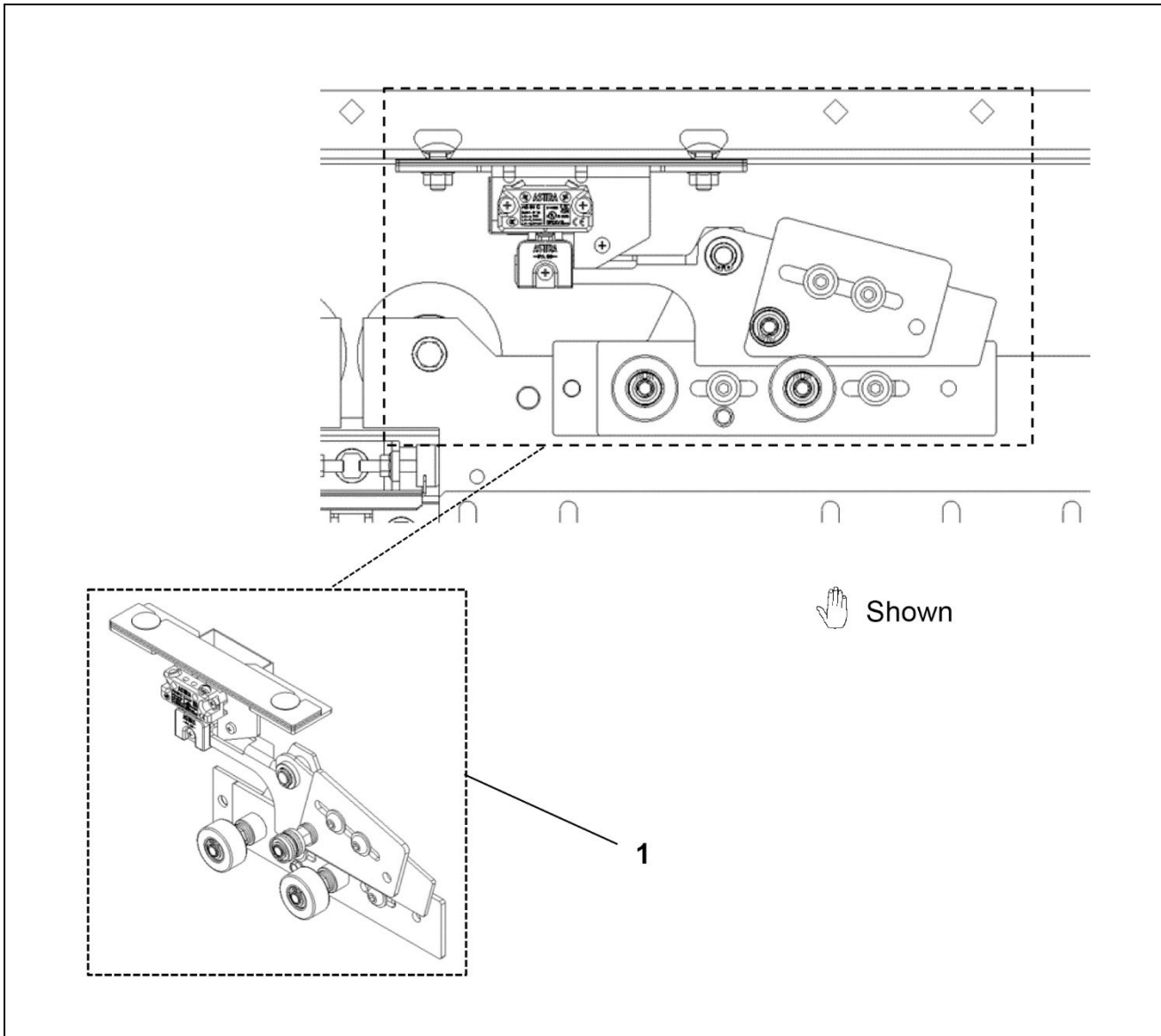


PAGE No.	DESCRIPTION
4	Interlock, Type AAA23400AD (complete assembly)
5-7	Interlock, Type AAA23400AB
8	Interlock Switch, Type AAA23400AC
- - -	Interlock Assembly, Type AAA23400X. See SPL 27-AAA23400AX.

AAA23400AD Interlock

Complete Assembly

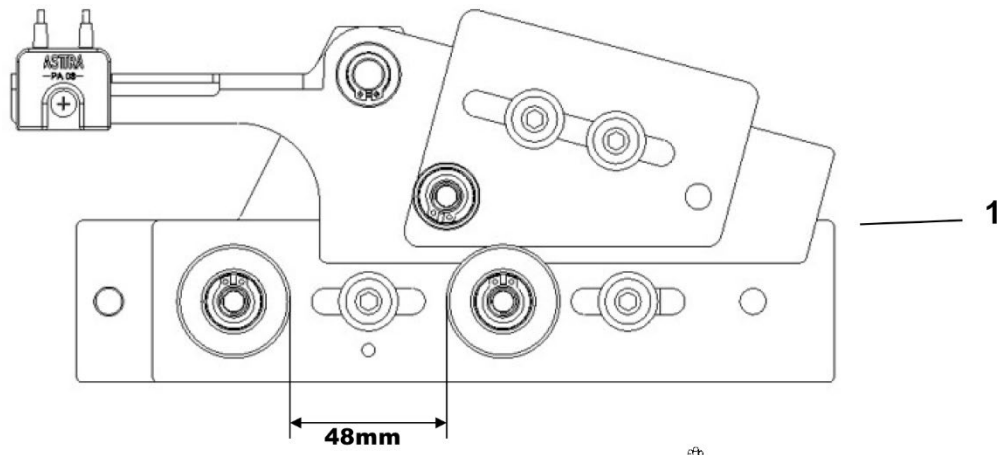
27-AAA23400AD



AAA23400AD				
REF. No.	PART No.	DESCRIPTION	INTERLOCK ROLLER SPACING	HAND
1	AAA23400AD3	Assembly, Interlock, and Interlock Switch	48 mm	
	AAA23400AD4			
	AAA23400AD5		125 mm	
	AAA23400AD6			

AAA23400AB Interlock Assembly

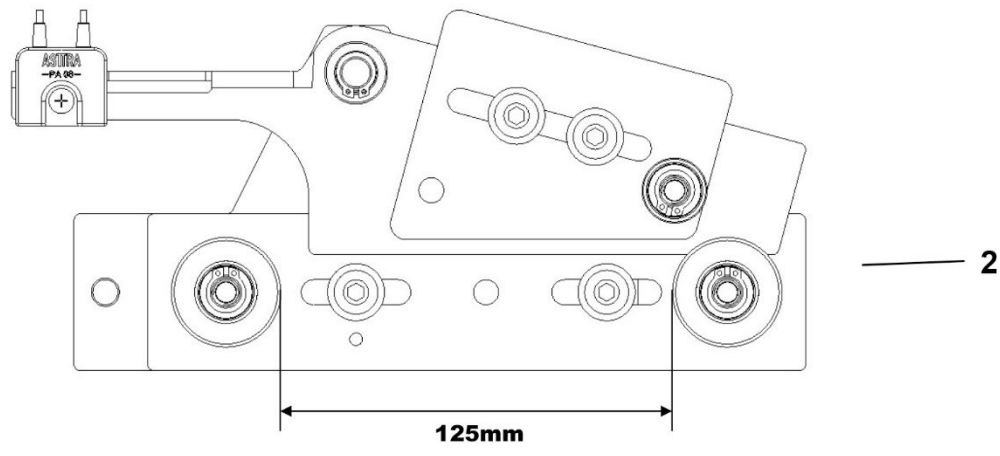
27-AAA23400AD



1

48mm

Hand icon Shown

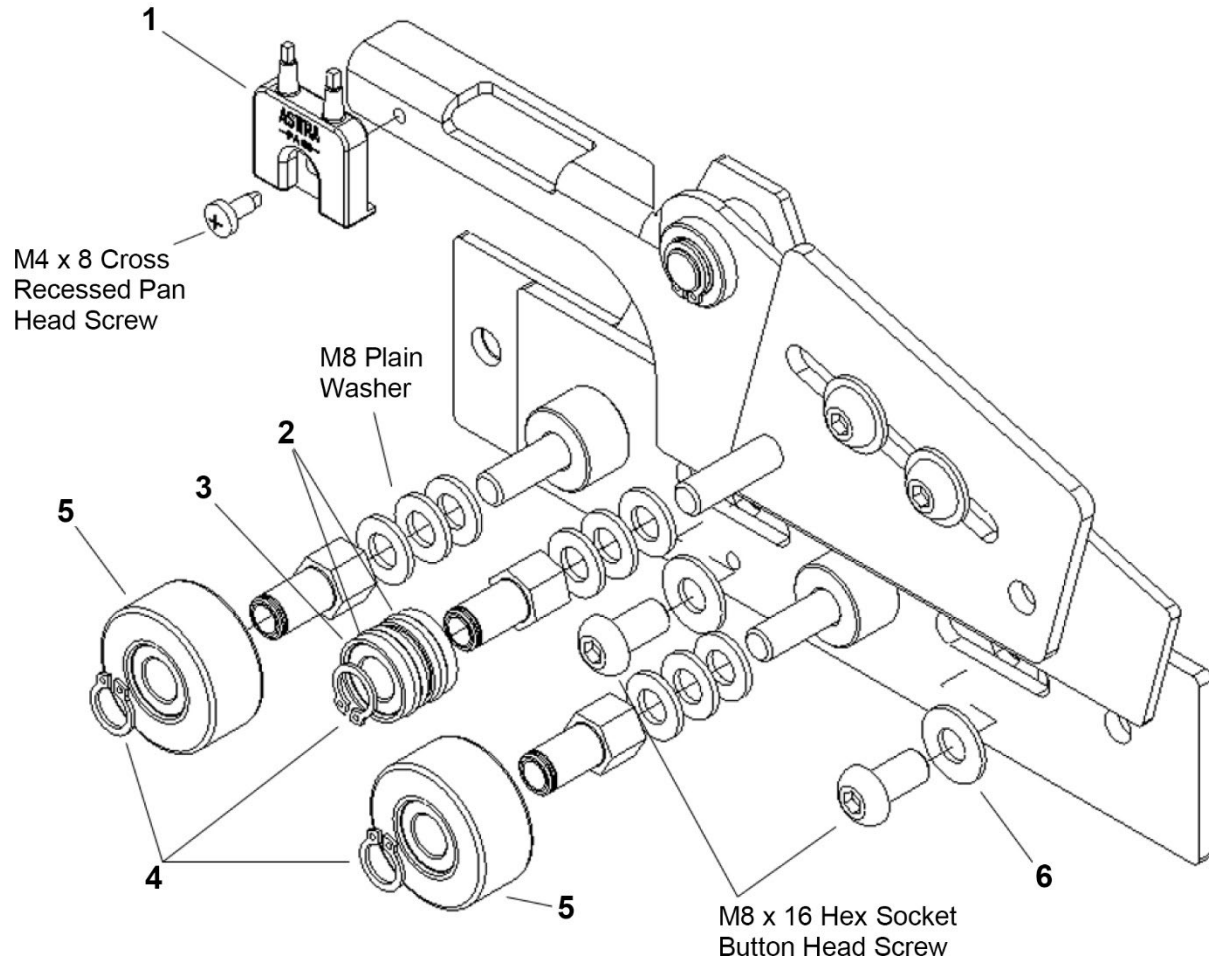


2

125mm

Hand icon Shown

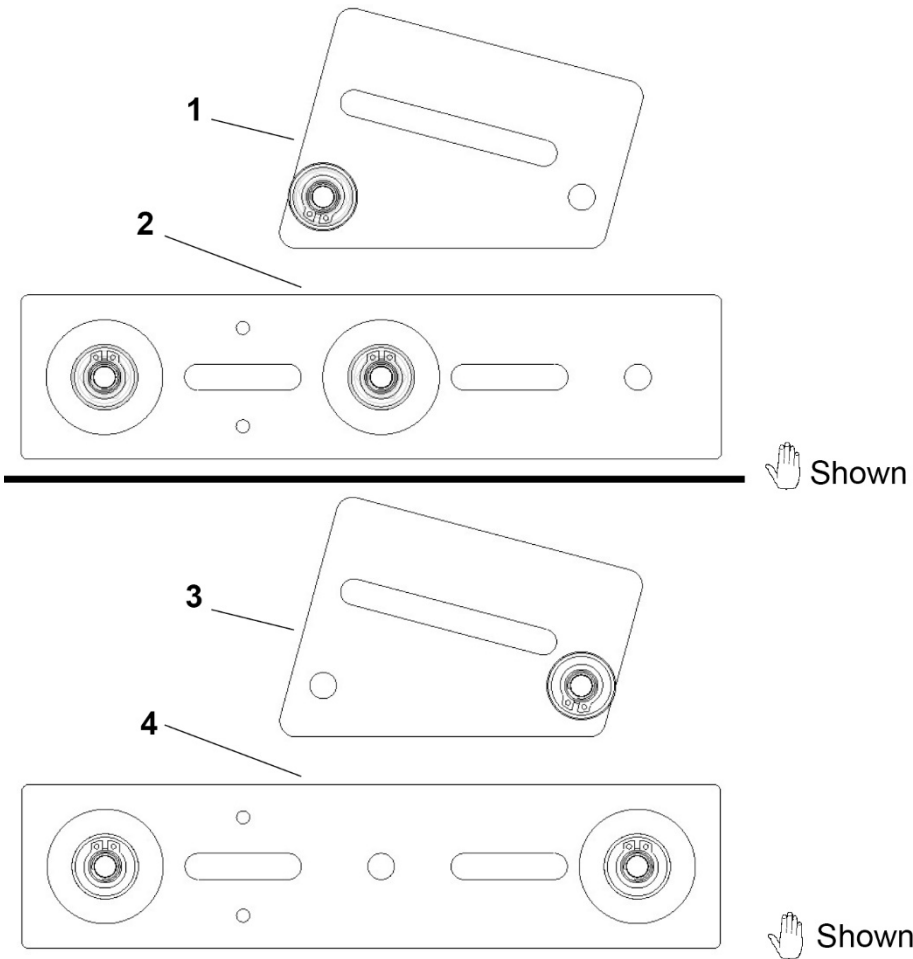
REF. No.	PART No.	DESCRIPTION	INTERLOCK ROLLER SPACING	HAND
1	AAA23400AB3	Assembly, Interlock	48 mm	Hand icon
	AAA23400AB4			Hand icon
2	AAA23400AB5	Assembly, Interlock	125 mm	Hand icon
	AAA23400AB6			Hand icon



AAA23400AB		
REF. No.	PART No.	DESCRIPTION
1	AAA661Y2	Contactora
2	AAA172WT1	O-Ring, Neoprene
3	AAA456AAG3	Pickup Roller, Ø 20 mm
4	DIN471N-10-480HV-B	Retaining Ring, for 10 mm Shaft, Normal Duty
5	AAA456AAG2	Roller, Ø 35 mm
6	AAA130BP3	Washer

Interlock Roller Plates

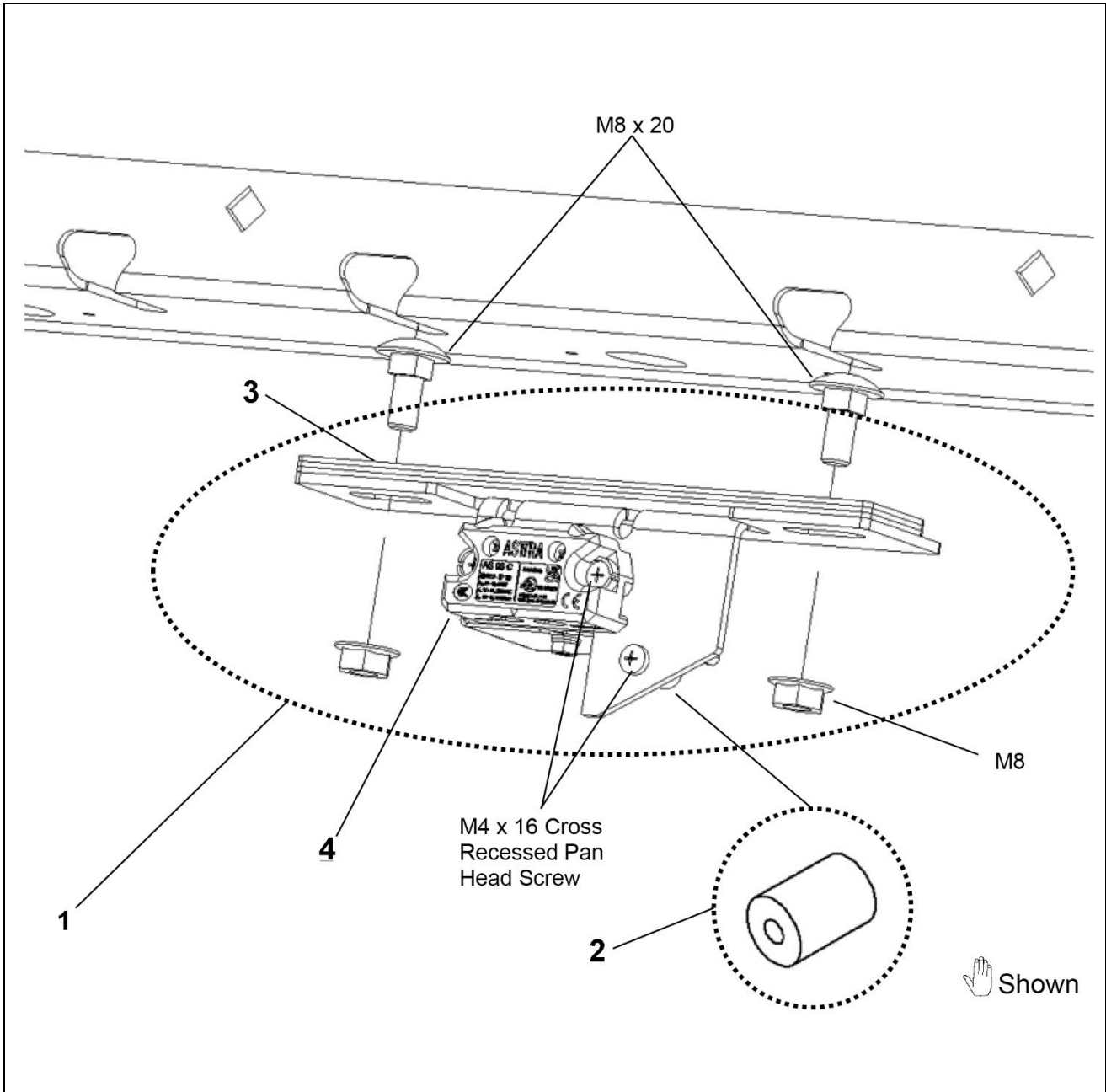
27-AAA23400AD



AAA23400AB				
REF. No.	PART No.	DESCRIPTION	INTERLOCK ROLLER SPACING	HAND
1	AAA386NYW3	Roller Plate Assembly, Unlocking	48 mm	
	AAA386NYW4			
2	AAA386NYV3	Roller Plate Assembly, Coupling		N/A
3	AAA386NYW5	Roller Plate Assembly, Unlocking		125 mm
	AAA386NYV6			
4	AAA386NYV2	Roller Plate Assembly, Coupling	N/A	

AAA23400AC Interlock Switch

27-AAA23400AD



AAA23400AC			
REF. No.	PART No.	DESCRIPTION	HAND
1	AAA23400AC1	Assembly, Interlock Switch	
	AAA23400AC2		
2	AAA320GJ1	Bumper	
3	AAA255TF1	Shim, Thickness = 1.5 mm (0.059 in.)	
4	AAA661Y1	Switch	