

HPLIM[®] (Techna) Interlock Assembly

Spare Parts Leaflet 27-AAA23400C

August 20, 2014 / Page 1 of 11

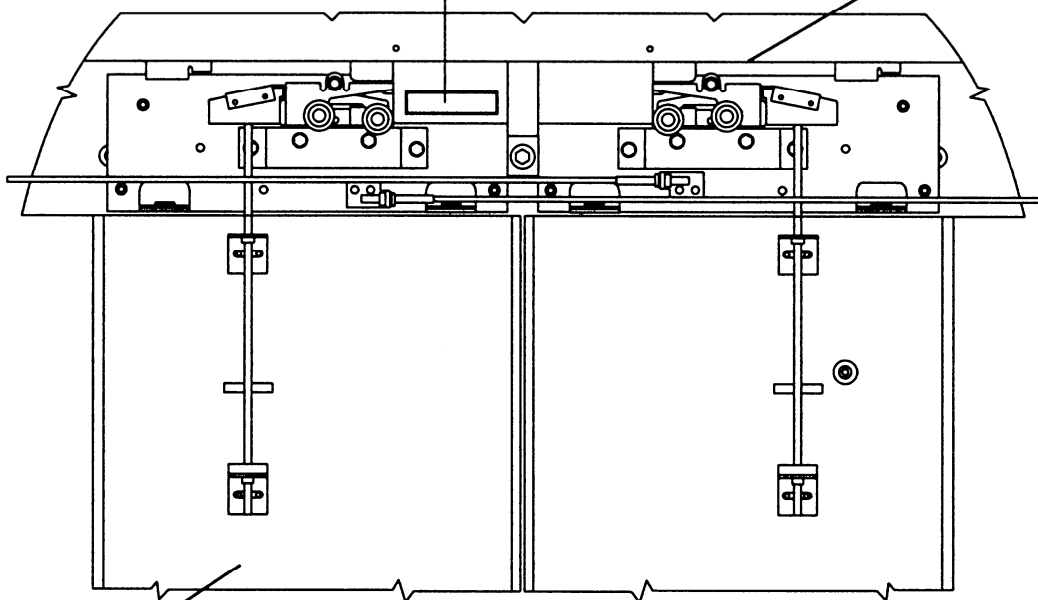
27 R - ABA23400C

27 R - ACA23400C

27 R - ADA23400C

27 R - AEA23400C

Hoistway Header (reference)



Hoistway Door (reference)

Center-opening doors of TECHNA interlock shown.
Single-slide door arrangement is similar.

OTIS

SERVICE ENGINEERING
Otis Elevator Company
Bloomfield, Connecticut USA

Unpublished Work—© Otis Elevator Co.; 2014

Leaflet Description

This document covers the TECHNA interlock assembly that is used with HPLIM® door operator systems. Each hoistway door requires an interlock assembly consisting of lock, switch, and unlocking key. Note that the AAA23400C version was never produced; production began with ABA23400C version. This leaflet reflects the updated parts information. A mandatory retrofit was performed in NAA to upgrade to the later roller and pin combination for the lock latch (see reference numbers 1, 2, and 3 on page 6). Note that component tags are located both on the switch cover and are called out on the switch assembly drawing A**23400E rather than typical top level assembly drawing (A**23400C). Component tags do reference identity type A**23400C.

Leaflet Revisions

Date Revised	Subject Matter Expert	Reason for Revision
April 1998	Blair Cohen	New leaflet
December 1, 2000	Duane Stupienski	Add component tags, update parts and correct mistakes.
November 1, 2001	Duane Stupienski	Add or update notes
August 27, 2002	Duane Stupienski	Recognize vintage: AEA23400C and associated parts
August 20, 2014	Brian Regan	Added parts on pp. 5, 9, and 11

Related Drawings

Drawing No.	Title	Drawing No.	Title
ACA23400E	Assembly, Interlock Switch	ABA23400G	Interlock Assembly
ACA23400F	Unlocking Assembly Hoistway	ADA23400C	Interlock Assembly Hoistway
FAA23400K	Assembled Interlock		

Related Documents

Document ID	Title
10-AAA24350AY	HPLIM® Controller
23-AAA24450D	HPLIM® Operator, Single-Slide Door
23-AAA24470F	HPLIM® Operator, Center-Opening Doors
25-AAA23101J/K	Hoistway Door System
26-AAA23402L	Weight Closer
F.E. 22.12-1	CD-ROM, HPLIM® Overview, Installation, Adjusting and Troubleshooting

Subject Matter Expert

Brian Regan	OSC Service Engineering
-------------	-------------------------

About Spare Parts Leaflets...

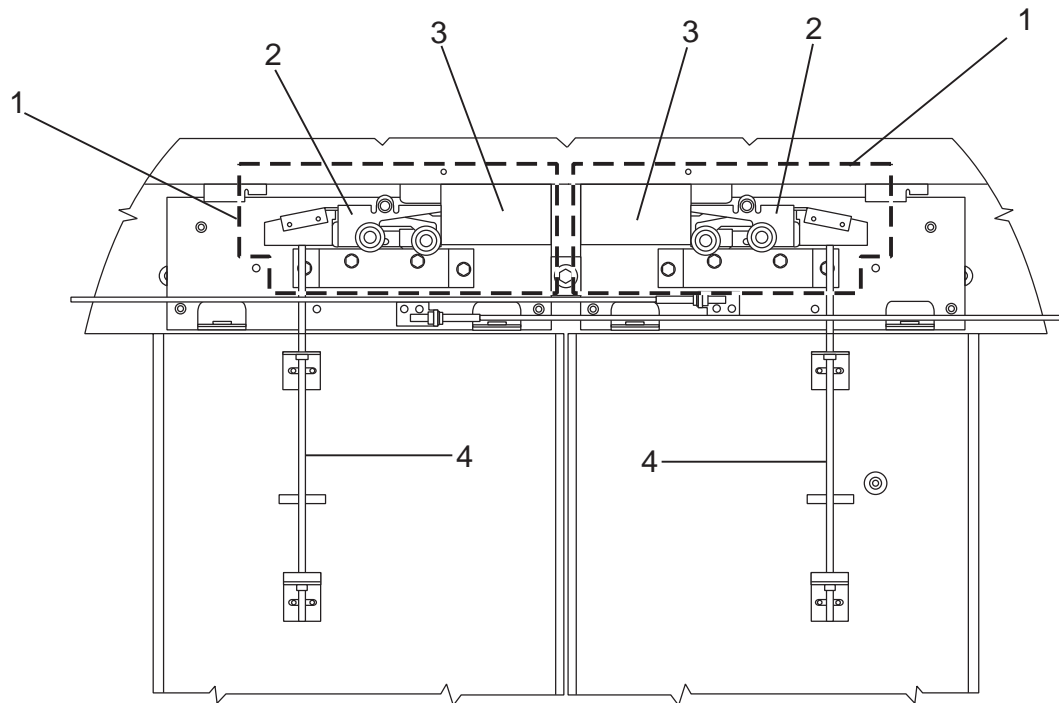
This document lists the lowest replaceable units (LRUs) for the standard version of the product. The LRUs are chosen by a team of Otis associates representing engineering and manufacturing.

While goal of this document is to make parts identification as easy as possible, the document cannot be all-inclusive. Elevator and escalator contracts classified as “special” or “custom” are not addressed here. For such contracts, please refer to specified information, the contract folder, TIPs, Field Education Articles, Construction Letters, etc. for further information.

If you have any suggestions about this document, please contact the subject matter expert listed on this page.

TECHNA Interlock Assembly

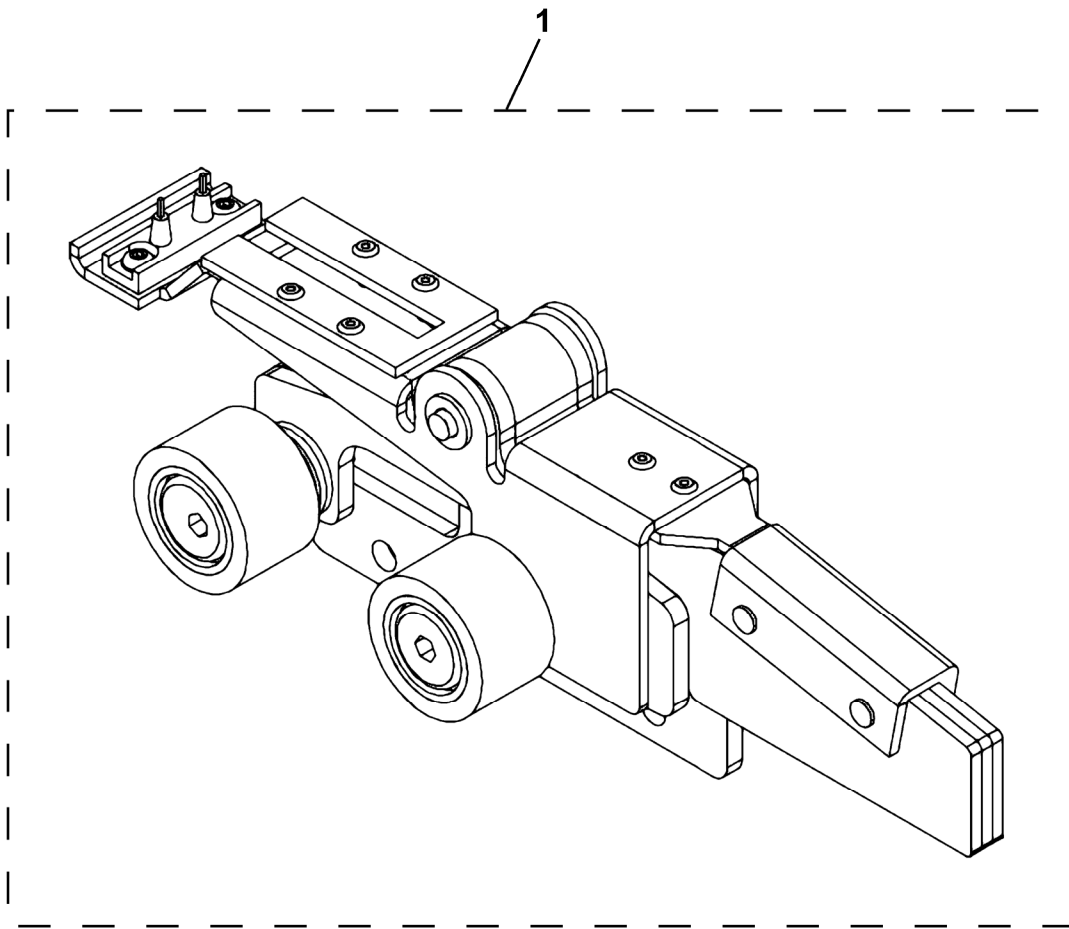
23-AAA23400C



Shown: TECHNA interlock applied to HPLIM center-opening door operator with standard unlocking assembly.

	ABA23400C	ADA23400C	AEA23400C	
REF. NO.	PART or ML			DESCRIPTION
1	ABA23400C1	---	---	Assembly, Interlock:
	ABA23400C2			☞, Order ADA23400C1 or C3
	---	ADA23400C1	AEA23400C1	☞, W ☞ HPLIM Operator, Single-Slide
		ADA23400C2	AEA23400C2	☞, W ☞ HPLIM Operator, Single-Slide
		ADA23400C3	AEA23400C3	☞, W ☞ HPLIM Operator, Center-Opening
ADA23400C4		AEA23400C4	☞, W ☞ HPLIM Operator, Center-Opening	
3	☞ p. 7			Interlock Switch Assembly (A**23400E)
	☞ p. 8			Interlock Switch Assembly (ACA23400E)
2	☞ p. 4-6			Latch Assemblies
4	☞ p. 9-11			Unlocking Device (A**23400F)

ABA23400G Latch Assembly

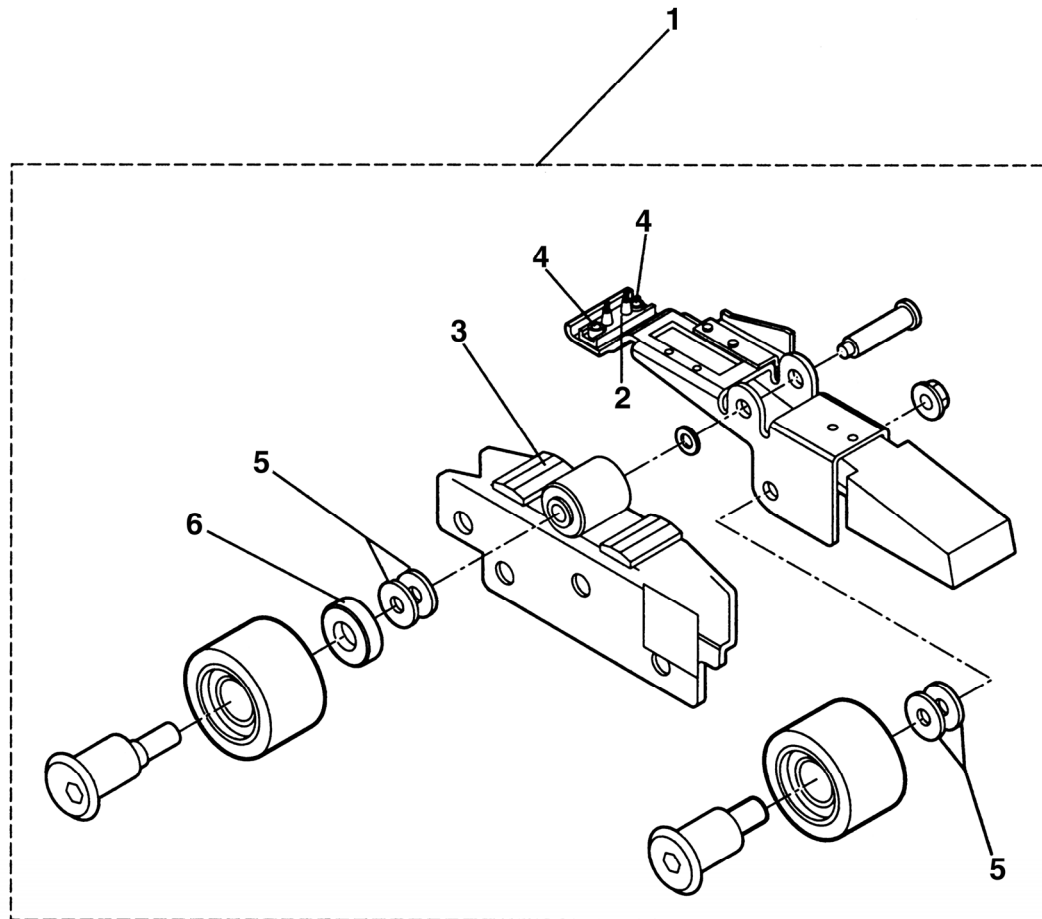






	ABA23400C ACA23400C								
REF. NO.	PART or ML	DESCRIPTION							
1	ABA23400G4	Assembly Latch		<table border="1"><tr><td>ORDER</td></tr><tr><td> </td></tr><tr><td> </td></tr></table>	ORDER			Single-Slide (p/n ADA23400C1) or Center-Opening (p/n ADA23400C3)	Note
	ORDER								
ABA23400G2		<table border="1"><tr><td>ORDER</td></tr><tr><td> </td></tr><tr><td> </td></tr></table>	ORDER			Single-Slide (p/n ADA23400C2) or Center-Opening (p/n ADA23400C4)			
ORDER									

NOTE: Latch assemblies used in ABA23400C and ACA23400C cannot be replaced by any later type A**23400G latch assemblies. Order entire new type ADA23400C lock set per page 3.

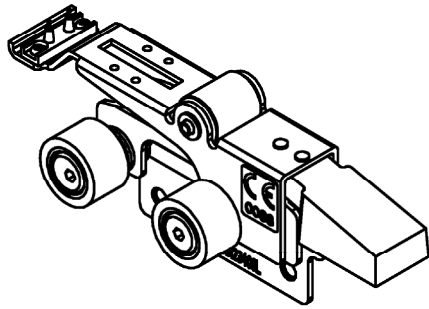
A**23400G Latch Assemblies

23-AAA23400C

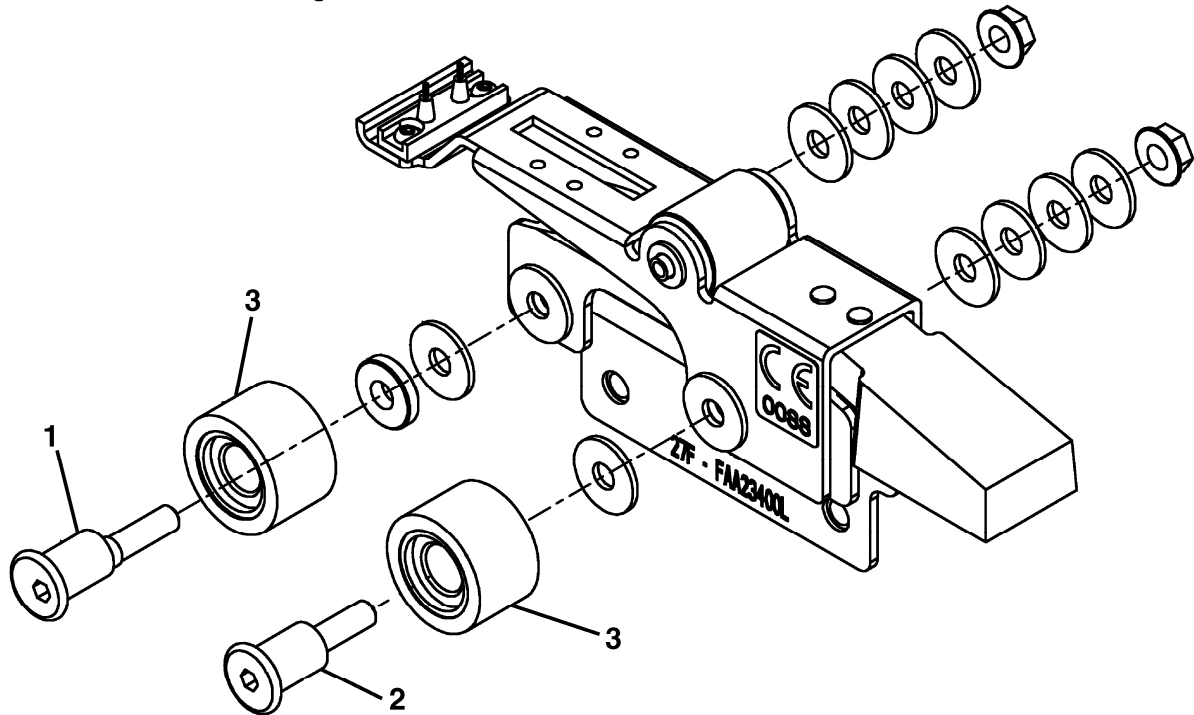


	ABA23400C ACA23400C	ADA23400C	AEA23400C	
REF. NO.	PART or ML			DESCRIPTION
1	👁 Note	ACA23400G1	---	Assembly, Latch, 
		ACA23400G2	---	Assembly, Latch, 
	---	---	ADA23400G1	Assembly, Latch, 
	---	---	ADA23400G2	Assembly, Latch, 
2	---	FO156CK3		Bridge, Contact
		AAA661B104		
3	AAA320FB1	FAA320AM1		Bumper, Rubber
4	FAA124BL1 →	FAA124BL2		"D" Screw, 12 mm L
				"D" Screw, 8 mm L
5	---	ISO7093-M8-140HV-Z		"D" Washer
6	FAA462CN2	FAA462CN3		Spacer

NOTE: Latch assemblies used in ABA23400C and ACA23400C cannot be replaced by any later type A**23400G latch assemblies. Order entire new type ADA23400C lock set per page 3.



Type ADA23400G1 Latch Shown
(vintage: AEA23400C)

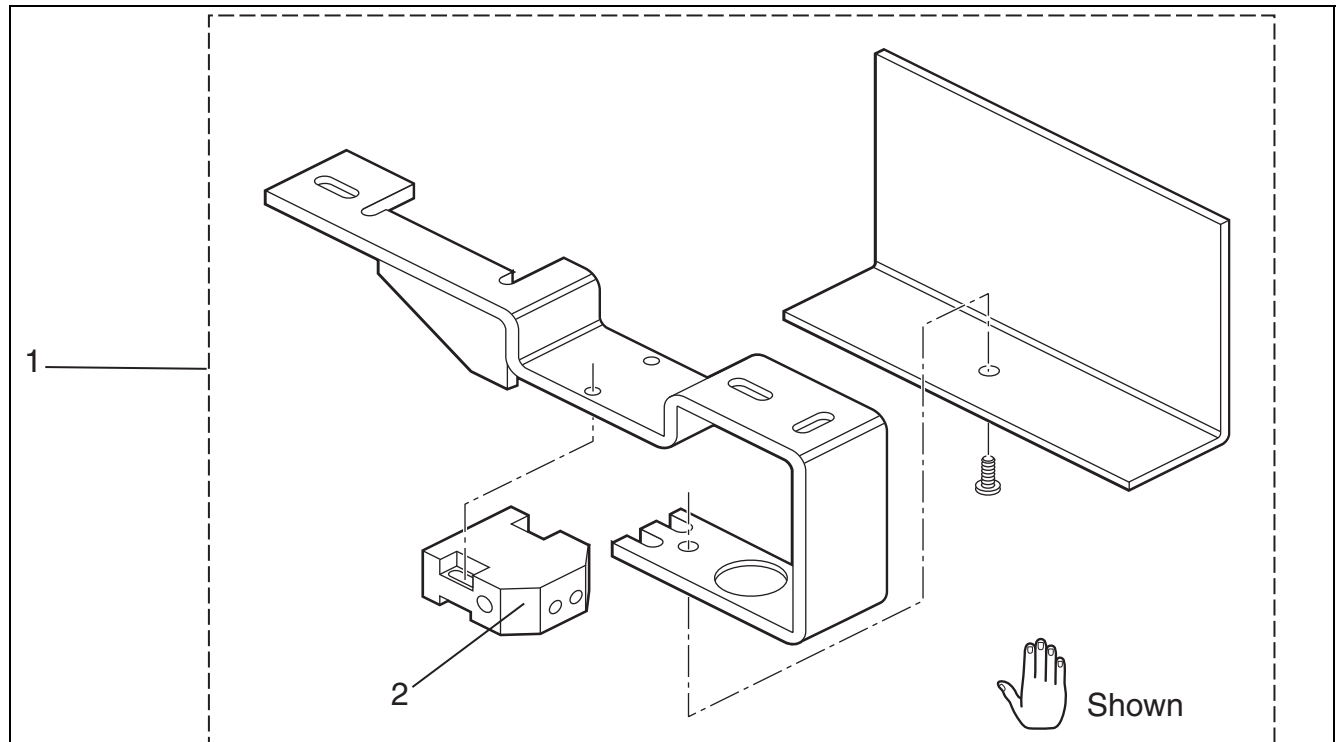





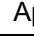

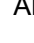






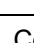

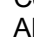
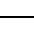
	ABA23400C	ACA23400C ADA23400C	AEA23400C	
REF. NO.	PART or ML			DESCRIPTION
1	AAA81JR1	---	---	Pin, L = 47.5 mm, Note
	---	FAA81BS1	---	Pin, L = 45 mm
	---	---	AAA502AF2	Pin (axle) L = 53.0 mm
2	AAA81JR2	---	---	Pin, L = 43.0 mm
	---	FAA81BR1	---	Pin, L = 40.5 mm
	---	---	AAA502AF1	Pin (axle) L = 48.5 mm
3	AAA456XK1	---	Roller, 38.0 mm	
	---	FAA456AE1	Roller	

NOTE: Refer to TIP 22.12-5 for information on extended pins of vintage AEA23400C

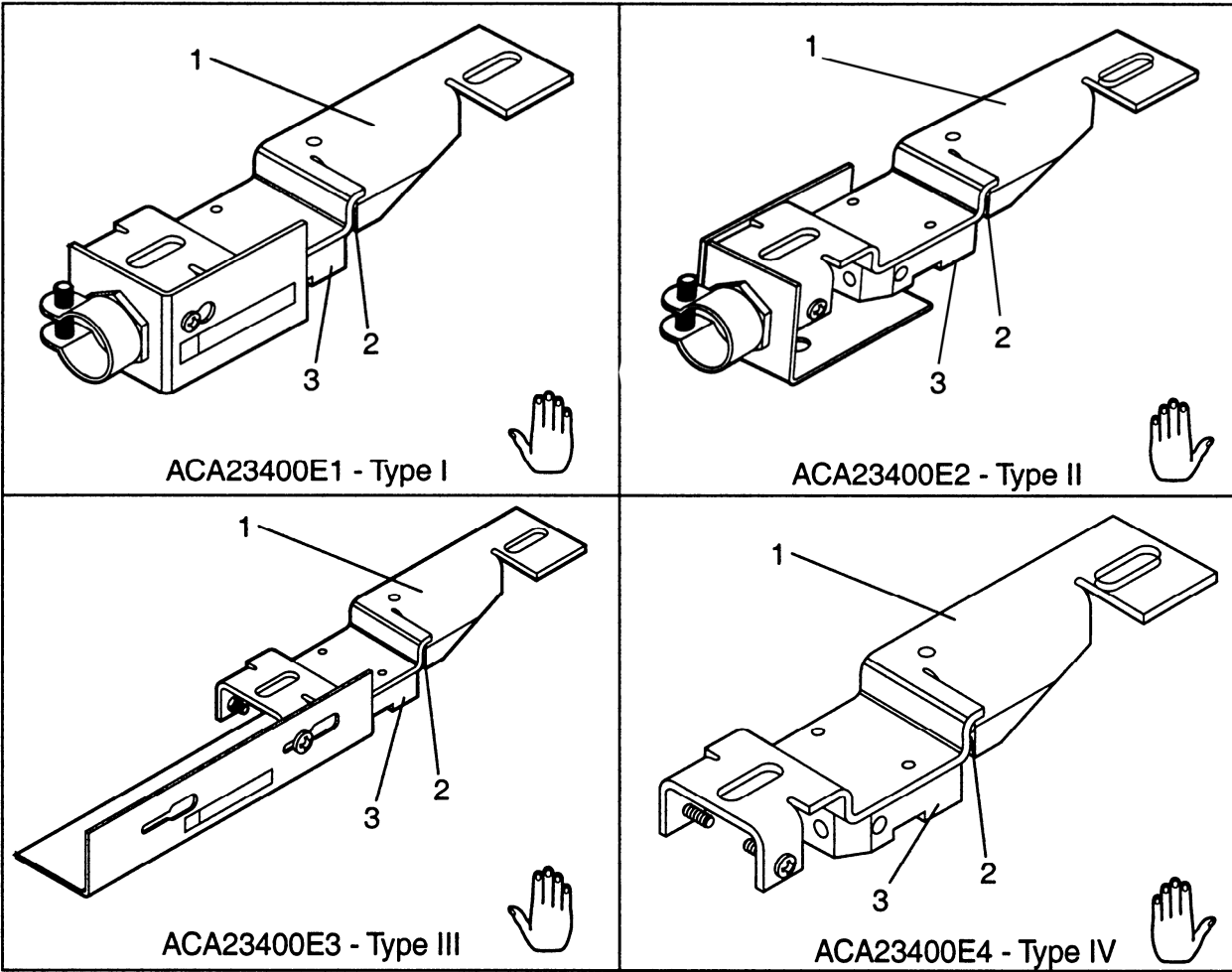
A**23400E Interlock Switch

23-AAA23400C



	ABA23400C	ACA23400C		
REF. NO.	PART or ML		DESCRIPTION	ORDER
1	AAA23400E1	---	Assembly, Switch,  (shown)	ADA23400C1 or C3 Based on Application,  Ref. 1, P. 3
	AAA23400E2	---	Assembly, Switch,  (opposite)	ADA23400C2 or C4 Based on Application,  Ref. 1, P. 3
	---	ABA23400E1	Assembly, Switch,  S/S,  Note	Complete Lock Kit ADA23400C1,  p. 3
	---	ABA23400E2	Assembly, Switch,  S/S,  Note	Complete Lock Kit ADA23400C2,  p. 3
	---	ABA23400E3	Assembly, Switch,  C/O,  Note	Complete Lock Kit ADA23400C3,  p. 3
	---	ABA23400E4	Assembly, Switch,  C/O,  Note	Complete Lock Kit ADA23400C4,  p. 3
2	AAA661B100		Switch	

NOTE: ACA version of ACA23400E switch assembly does not directly replace earlier AAA or ABA version switches. Complete lock kit per p. 3 must be ordered to replace AAA, ABA23400E.

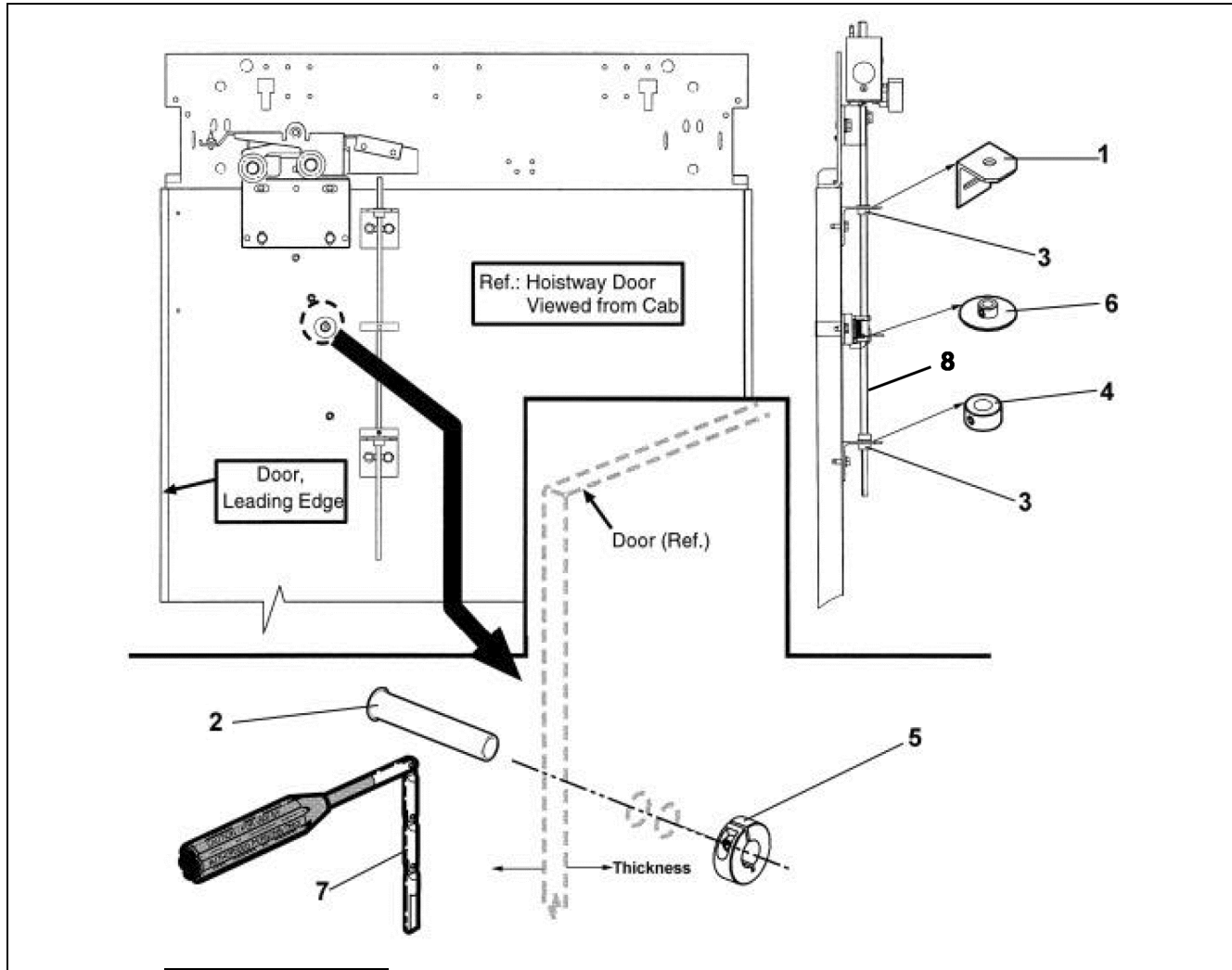



	ABA23400C ACA23400C	ADA23400C AEA23400C	
REF. NO.	PART or ML		DESCRIPTION
1	Note	ACA23400E1	Assembly, Switch, Single-Slide
		ACA23400E2	Assembly, Switch, Single-Slide
		ACA23400E3	Assembly, Switch, Center-Opening
		ACA23400E4	Assembly, Switch, Center-Opening
2	---	FAA320AP1	Bumper, Rubber, ACA23400E Version Only
3	AAA661B100		Switch

NOTE: ACA version of ACA23400E switch assembly does not directly replace earlier AAA or ABA version switches. Complete lock kit per p. 3 must be ordered to replace AAA, ABA23400E.

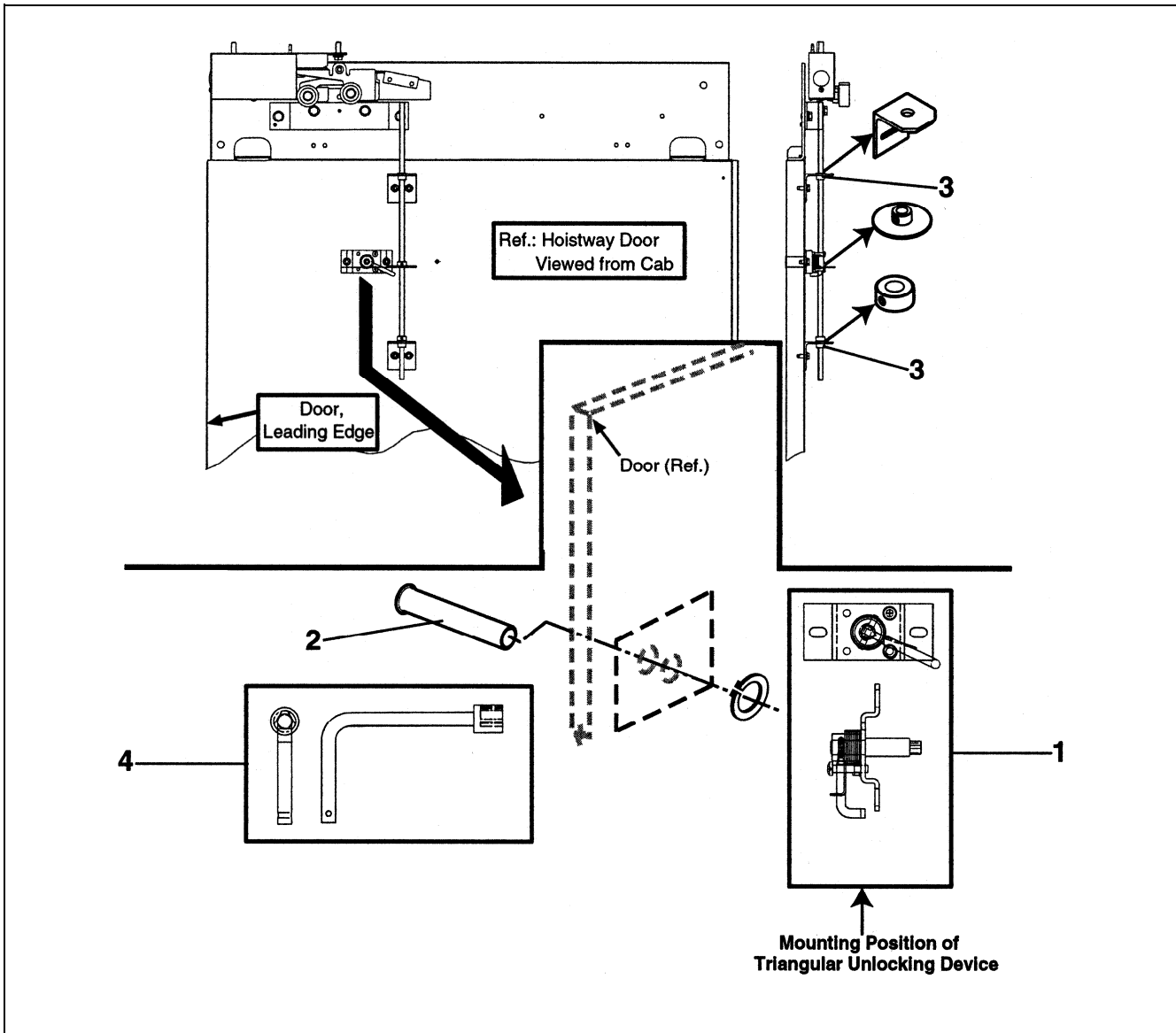
A**23400F Unlocking Assembly With Standard Unlocking Device

27-AAA23400C



W/O VINTAGE		
REF. No.	PART No.	DESCRIPTION
1	AAA272BXB1	Angle
2	321CV5	Bushing, Brass, 2.0 in. L, w/Standard Key Unlocking
	321CV3	Bushing, Stainless Steel, 2.0 in. L, w/Standard Key Unlocking
3	334BA5	Bushing, Snap
4	AAA340CD2	Collar
5	340BJ2	Collar w/Set Screw
6	AAA340CE1	Collar,  127VB19 and AAA340CD2
7	AAA194AZ1	Key, Unlocking, 2 Links, for Standard Thickness Hoistway Door
	AAA194AZ6	Key, Unlocking, 3 Links (as shown), for Hoistway Door Thickness > 1.25 in. and ≤ 3.25 in.
8	AAA98HN5	Rod, Threaded, L = 804 mm
	AAA98HN6	Rod, Threaded, L = 1415 mm

A**23400F Unlocking Assembly with Triangle Unlocking Device

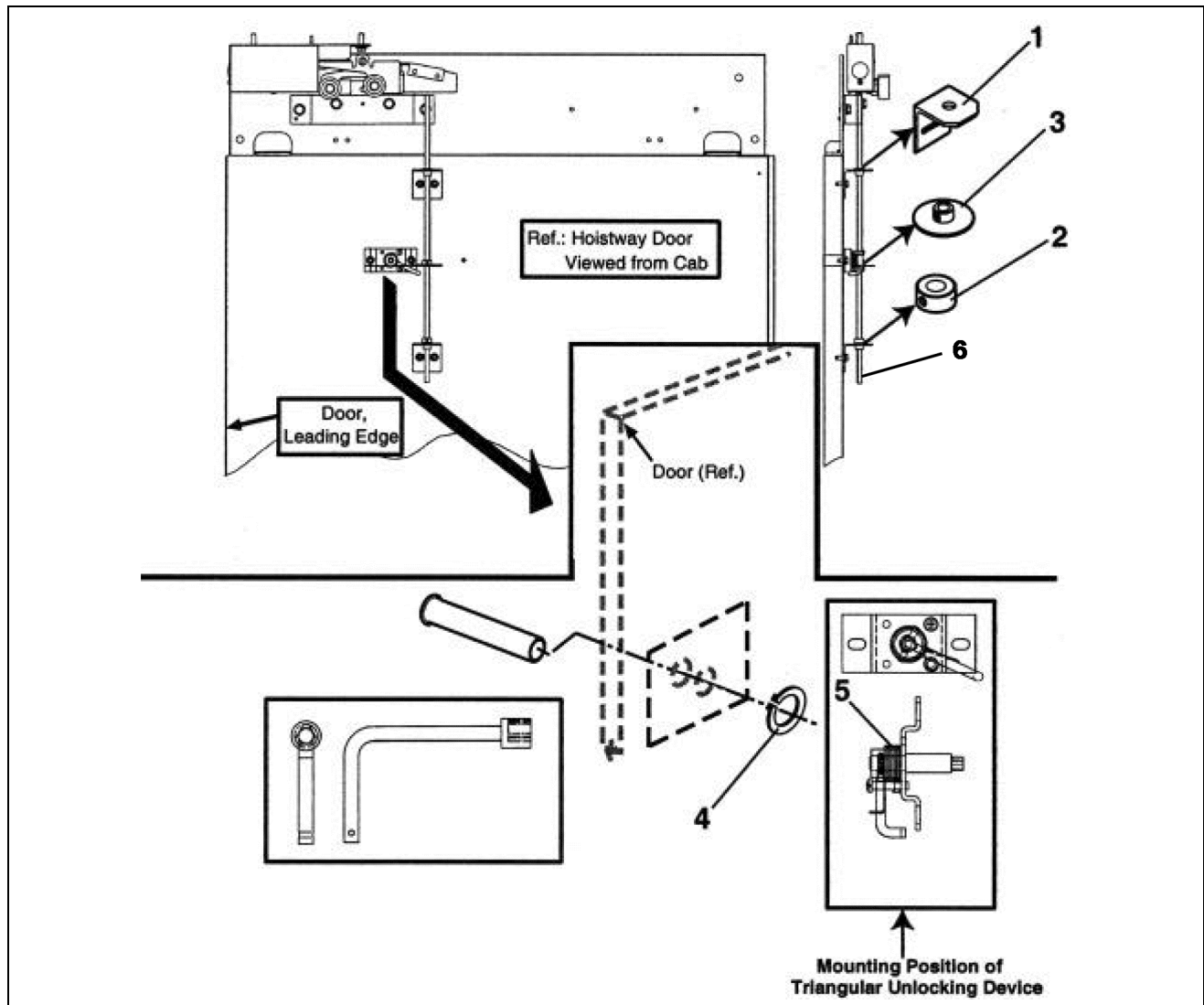


REF. NO.	W/O VINTAGE PART or ML	DESCRIPTION
1	AAA23400J1	Assembly, Unlocking Device, W → C/O, W → S/S, or 2/S Doors
	AAA23400J2	Assembly, Unlocking Device, W → S/S, or 2/S Doors
2	AAA321HG1	Bushing, Stainless Steel, 1.5 in. L, W → Triangular Unlock Device
	AAA321HG2	Bushing, Brass, 1.5 in. L, W → Triangular Unlocking Device
3	334BA5	Bushing, Snap
4	AAA194BC1	Key, Special, W → Triangular Unlocking Device

(Continued on next page)

A**23400F Unlocking Assembly with Triangle Unlocking Device

27-AAA23400C



W/O VINTAGE		
REF. No.	PART No.	DESCRIPTION
1	AAA272BXB1	Angle
2	AAA340CD2	Collar
3	AAA340CE1	Collar, W → 127VB19 and AAA340CD2
4	- - -	Ring, Retaining, M18
5	AAA92BA1	Spring, W → C/O Doors and H S/S and 2/S
	AAA92BA2	Spring, W → C/O Doors and H S/S and 2/S
6	AAA98HN5	Rod, Threaded, 804 mm
	AAA98HN6	Rod, Threaded, 1415 mm