

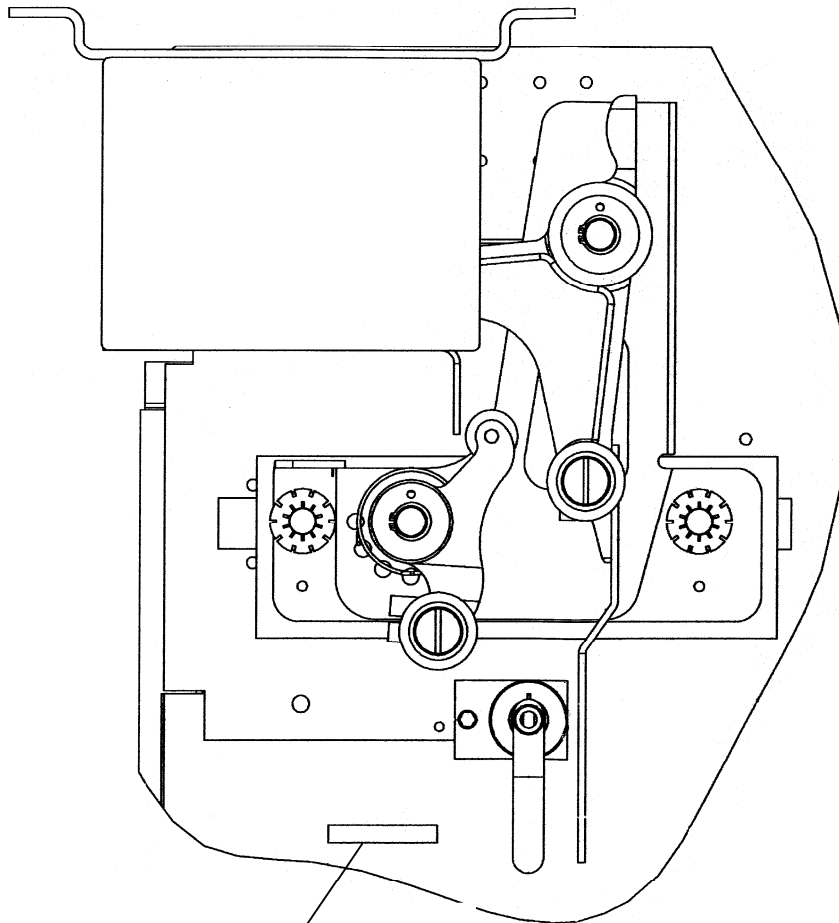
# Hoistway Access Device (Gen2™)

**Spare Parts Leaflet**

**27-AAA23400P**

**December 5, 2006 / Page 1 of 4**

Right-Hand Arrangement Shown



27 A - AAA23400P

**OTIS**

**Safety First!**

**SERVICE ENGINEERING**  
Otis Elevator Company  
Bloomfield, Connecticut USA

**Leaflet Description**

This leaflet provides spare parts information for the type 6940AP interlock unlocking device used on Gen2™ weldless doors in Minnesota and California only and for all types of doors in Massachusetts only, as required by code.

**Leaflet Revisions**

<b>Date Revised</b>	<b>Subject Matter Expert</b>	<b>Reason for Revision</b>
August 16, 2006	Diem Tran	New Leaflet
December 5, 2006	Diem Tran	Updated ref. 4 on p. 4 to eliminate p/n AAA288LS1 and include p/n AAA288ZU1

**Related Drawings**

<b>Drawing No.</b>	<b>Title</b>	<b>Drawing No.</b>	<b>Title</b>
AAA23400P	Hoistway Access Device Gen2		

**Related Documents**

<b>Document ID</b>	<b>Title</b>
27-C6940AP	Interlock Assemblies and Door Closers

**Subject Matter Expert**

<b>Name</b>	<b>Department</b>
Diem Tran	OSC Service Engineering

**About Spare Parts Leaflets...**

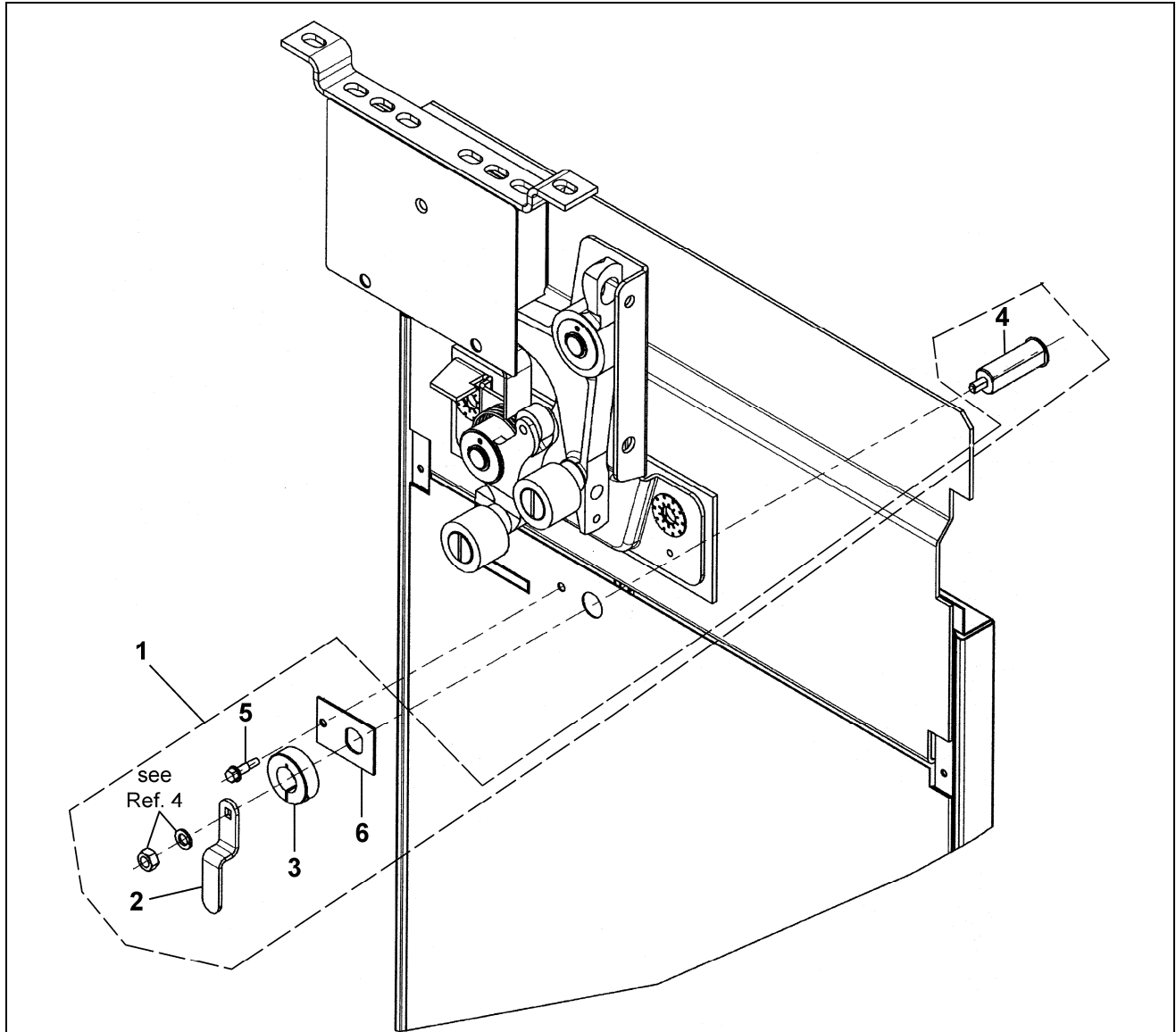
This document lists the lowest replaceable units (LRUs) for the standard version of the product. The LRUs are chosen by a team of Otis associates representing engineering and manufacturing.

While goal of this document is to make parts identification as easy as possible, the document cannot be all-inclusive. Elevator and escalator contracts classified as “special” or “custom” are not addressed here. For such contracts, please refer to specified information, the contract folder, TIPS, Field Education Articles, Construction Letters, etc. for further information.

If you have any suggestions about this document, please contact the subject matter expert listed on this page.

# Lock Assembly

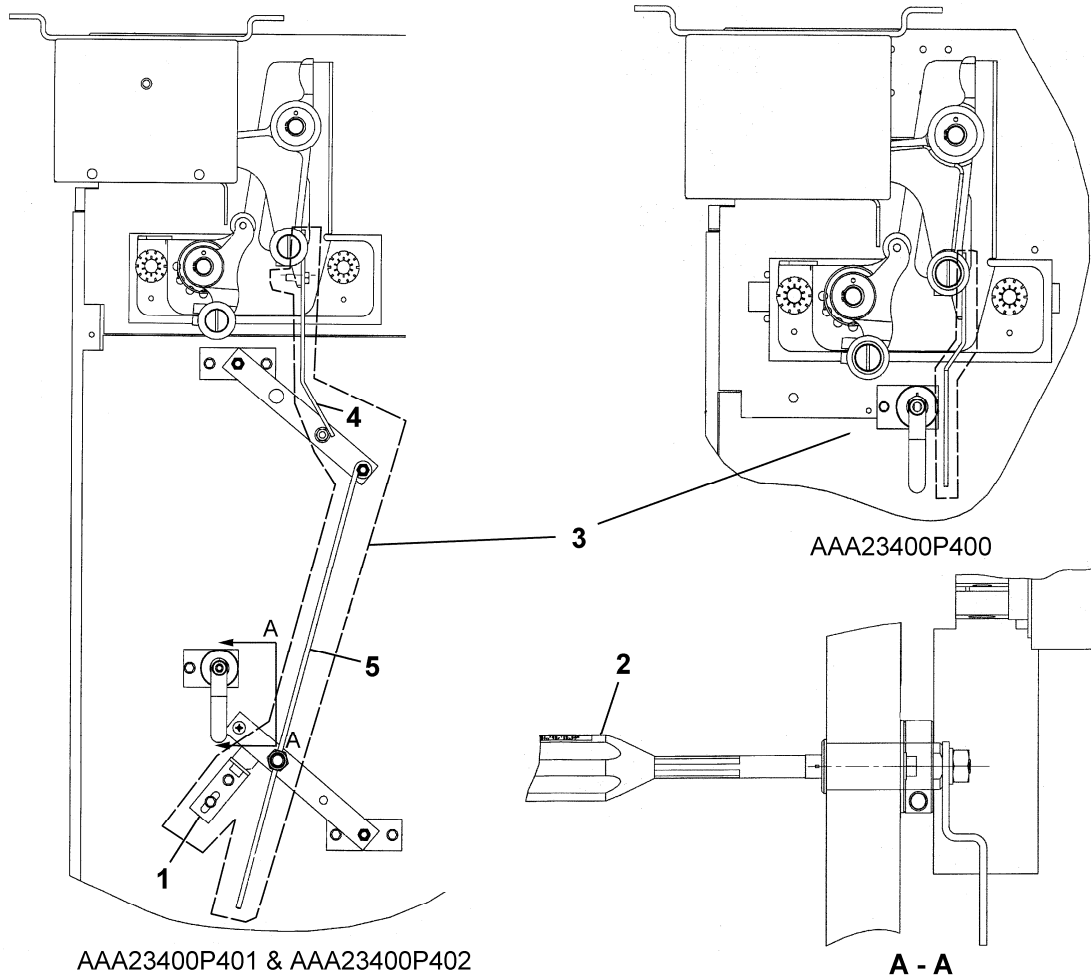
**27-AAA23400P**



<b>AAA23400P</b>		
<b>REF. No.</b>	<b>PART No.</b>	<b>DESCRIPTION</b>
1	AAA23400P1	Assembly, Access Device, Satin Brass Finish
	AAA23400P2	Assembly, Access Device, Satin Stainless Steel Finish
2	AAA327PP1	Cam
3	340BJ5	Collar, Clamp
4	AAA431AP1	Lock, Satin Brass Finish (includes nut and washer)
	AAA431AP2	Lock, Satin Stainless Steel Finish (includes nut and washer)
5	DIN7504KST5.5X22-Z	Screw, Hex Head, Self-Drilling, 5.5 x 22 mm Long
6	AAA130BQ1	Washer, Lock

# 27-AAA23400P

# Lever and Linkage Assembly



AAA23400P			
REF. No.	PART No.	DESCRIPTION	APPLICATION
1	316CTE2	Bracket, Bumper	
2	AAA194BN1	Key	
3	AAA23400P400	Kit, Lever and Mounting Hardware	84 in. (2134 mm) Entrance Height
	AAA23400P401	Kit, Lever, Linkage and Mounting Hardware	96 in. (2438 mm) Entrance Height
	AAA23400P402		>96 in. (>2438 mm) Entrance Height
4	288LS1 AAA288ZU1	Lever	AAA23400P400
	288RV2		AAA23400P401 and AAA23400P402
5	AAA6940CA2	Linkage, Transmission	AAA23400P401
	6940AW3 AAA6940CA3		AAA23400P402