

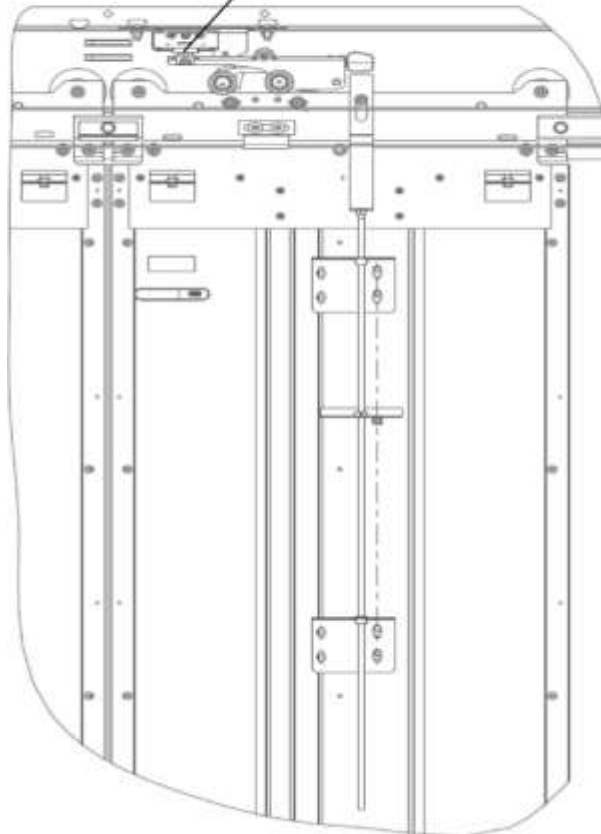
Interlock Assembly NG Door System

Spare Parts Leaflet

27-AAA23400S

March 16, 2022 / Page 1 of 9

27	A - AAA23400S
27	A - AAB23400S
27	A - ABA23400S



**Center-Opening
NG Door Shown**

OTIS

This document does not contain any
technical data subject to EAR or ITAR

SERVICE ENGINEERING

Otis Elevator Company

Bloomfield, Connecticut USA

Unpublished Work—© Otis Elevator Co.; 2022

Leaflet Description

This Spare Parts Leaflet (SPL) covers the AAB23400S interlock assembly that is used for NG door system. Each hoistway door requires an interlock assembly consisting of lock, switch, and unlocking key. This leaflet reflects the information of the interlock assembly and the lowest replaceable parts.

Leaflet Revisions

Date Revised	Subject Matter Expert	Reason for Revision
April 4, 2008	Diem Tran	New SPL
November 7, 2012	Brian Regan	Added parts
February 14, 2018	Brian Regan	Added p/n AAA320GE1 on p. 6
January 2, 2019	Brian Regan	Added p/n KAA156AAB1 on p. 7
February 6, 2019	Brian Regan	Added parts & code year information
March 25, 2020	Pete Kelley	Added AAB vintage information
April 1, 2020	Pete Kelley	Corrected references on p. 6
August 18, 2021	Pete Kelley	Added ABA vintage information
March 16, 2022	Pete Kelley	Added N0N7201M8-8-Z & IS07045M5X8Z-4.8Z on p. 6

Related Drawings

Drawing No.	Title	Drawing No.	Title
AAA23400S	Interlock Arrangement	AAA23400R	Interlock Switch Assembly
AAB23400S		AAA23400T	Unlocking Device Assembly
ABA23400S			
AAA23400Q	Interlock Assembly		
ABA23400Q			

Related Documents

Document ID	Title
SPL 25-AAA23101P	NG Hoistway Door System: Center-Opening with Single Lock, Single-Slide, and Two-Speed
SPL 26-AAA23402M	Door Weight Closer
SPL 27-AAA23400X	Unlocking Device Assembly

Subject Matter Expert

Name	Department
Pete Kelley	OSC, Mechanical Service Engineering

About Spare Parts Leaflets...

This document lists the lowest replaceable units (LRUs) for the standard version of the product. The LRUs are chosen by a team of Otis associates representing engineering and manufacturing.


While goal of this document is to make parts identification as easy as possible, the document cannot be all-inclusive. Elevator and escalator contracts classified as "special" or "custom" are not addressed here. For such contracts, please refer to specified information, the contract folder, TIPs, Field Education Articles, Construction Letters, etc. for further information.

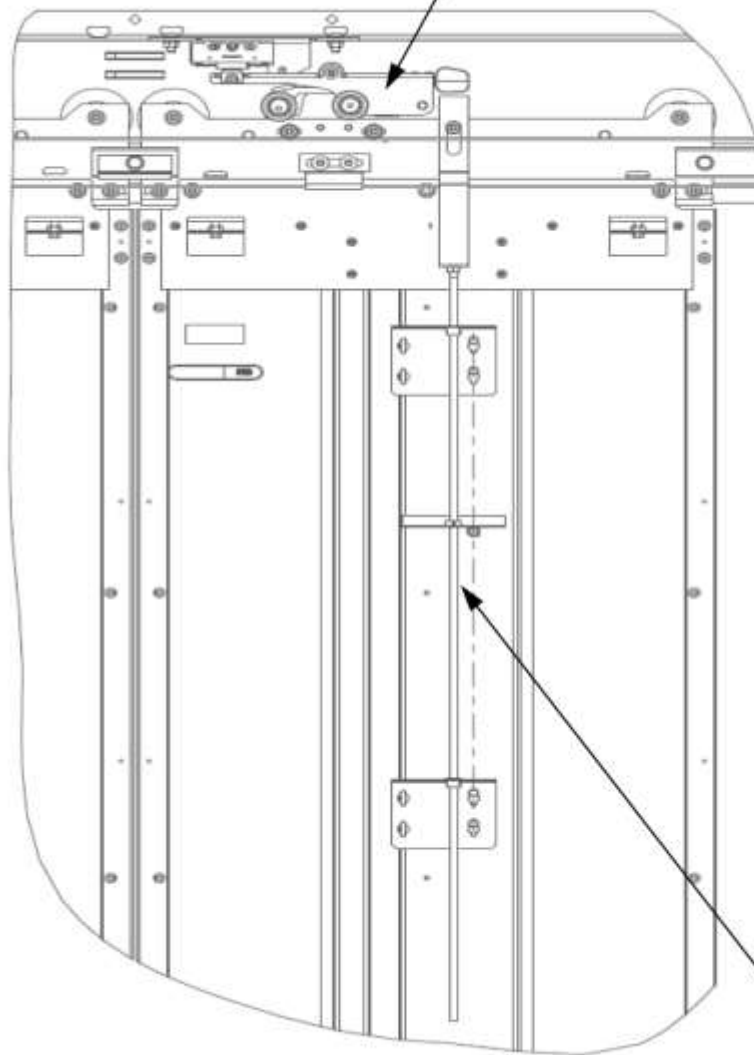
If you have any suggestions about this document, please contact the subject matter expert listed on this page.

Table of Contents


27-AAA23400S

Type A**23400S Interlock Assembly

 Page 4



 Pages 8-9

 NOTE

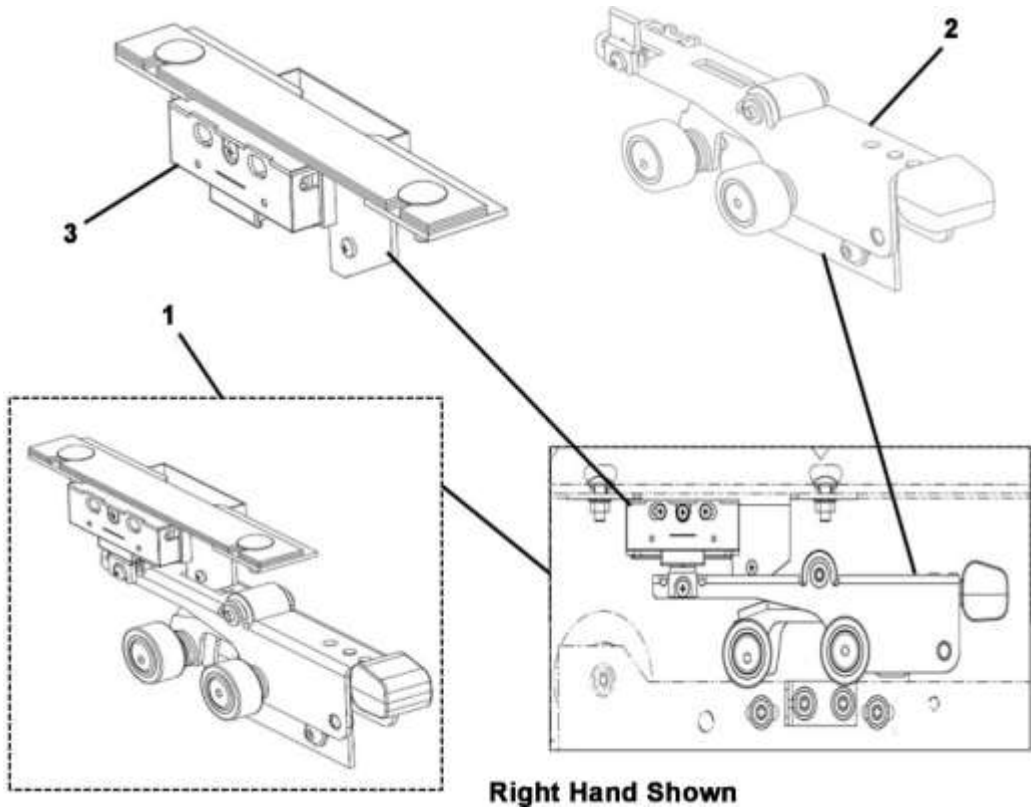
Center-Opening, Single Lock
Shown with Back Panel Removed

PAGE No.	DESCRIPTION
4	Type A**23400S Interlock Assemblies
8-9	Type AAA23400T Unlocking Device Assembly, See NOTE

NOTE: Type AAA23400T unlocking device assembly is obsolete. See SPL 27-AAA23400X for complete replacement assemblies.

27-AAA23400S

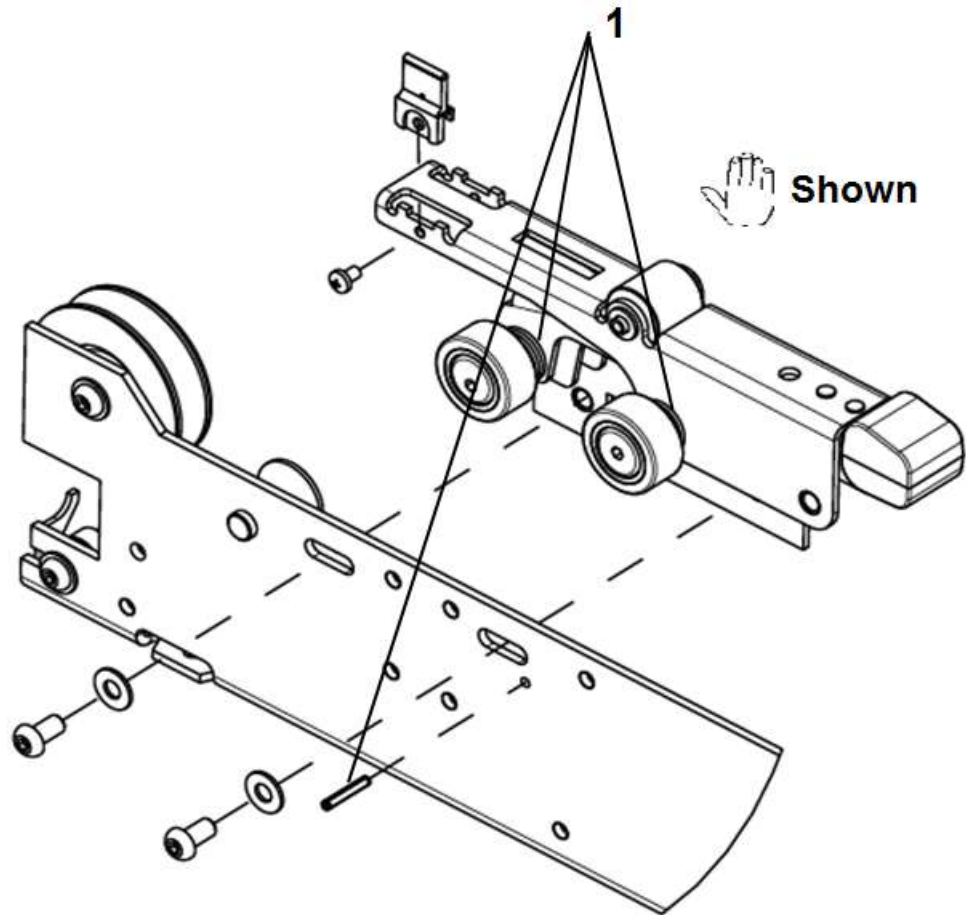
Type A**23400S Interlock



	AAA23400S	AAB23400S	ABA23400S			
REF. No.	PART No.			DESCRIPTION	RUNNING CLEARANCE (SILL TO THRESHOLD)	HAND
1	AAA23400S1	AAB23400S5	ABA23400S5	Arrangement, Interlock and Interlock Switch	< 32 mm	
	AAA23400S2	AAB23400S6	ABA23400S6			
	AAA23400S3	AAB23400S7	ABA23400S7	A17.1 2010 Code Year or Earlier	= 32 mm	
	AAA23400S4	AAB23400S8	ABA23400S8			
2	AAA23400Q1	ABA23400Q5		Assembly, Interlock, pp. 5-6	< 32 mm	
	AAA23400Q2	ABA23400Q6				
	AAA23400Q3	ABA23400Q7			= 32 mm	
	AAA23400Q4	ABA23400Q8				
3	AAA23400R1		AAA23400R19	Assembly, Interlock Switch, p. 7		
	AAA23400R2		AAA23400R20			

Type A**23400S Interlock

27-AAA23400S

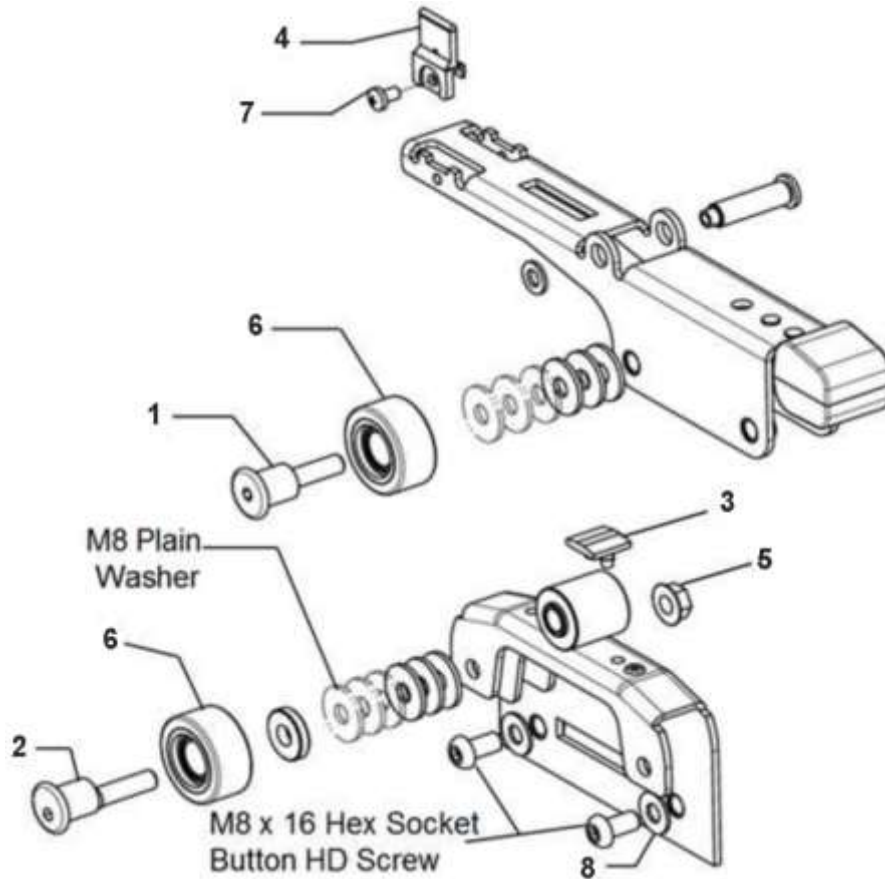


AAA23400S
AAB23400S
ABA23400S

REF. No.	PART No.	DESCRIPTION
1	AAA23400S401	Kit, Hardware (for interlock assembly) Kit Includes: (1) 4 x 24 Spring-Type Straight Pin Coiled and (4) M8 Plain Washers

27-AAA23400S

Type ABA23400Q Interlock Assembly

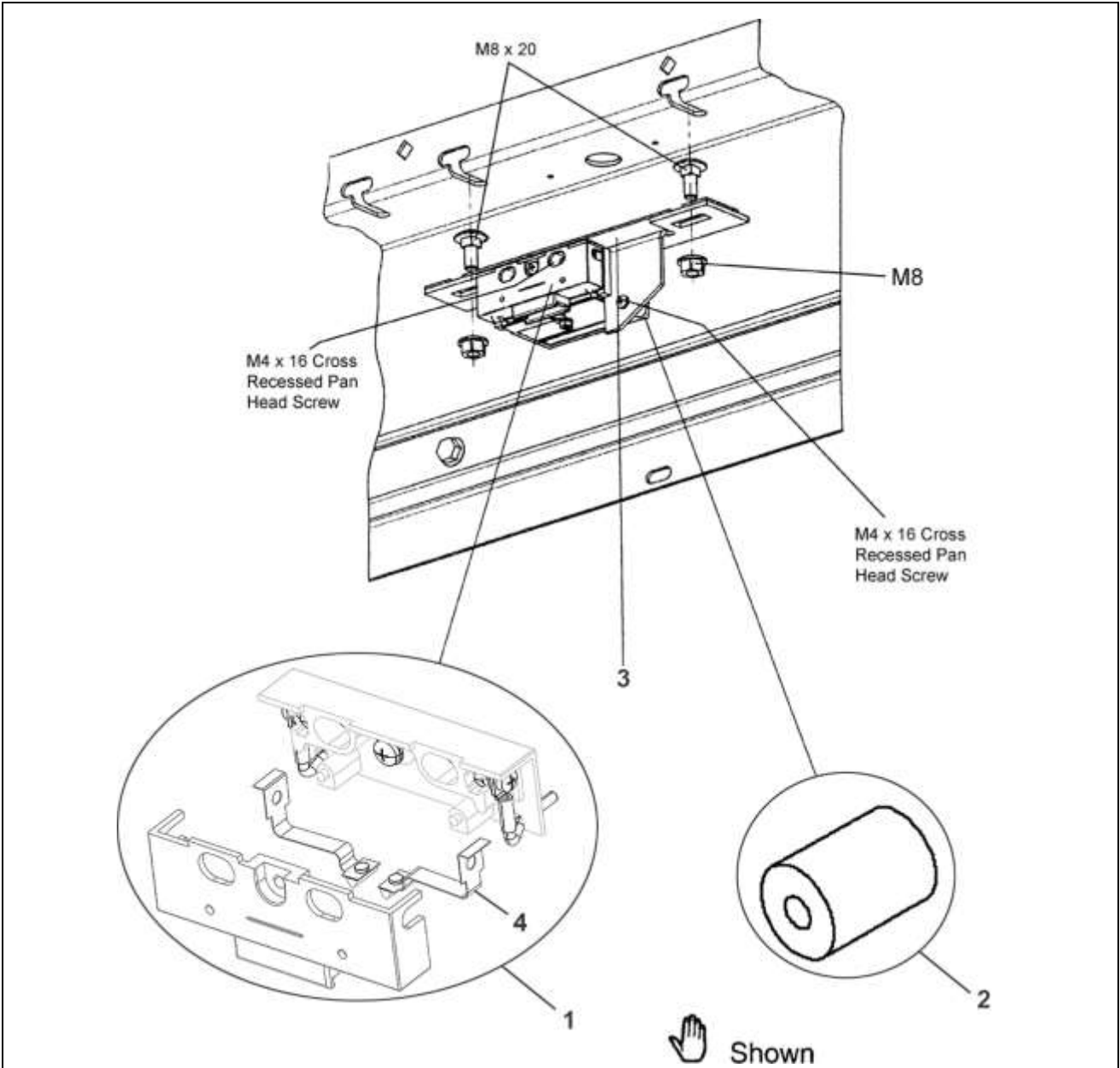


NOTE: Interlock comes with three washers per roller and assumes running clearance of 25 mm. If running clearance is 20 mm, remove two washers from each roller. If running clearance is 30 mm, add two washers to each roller (taken from AAA23400S401). If running clearance is 32 mm, ABA23400Q7 and ABA23400Q8 comes with six washers per roller.

AAA23400S AAB23400S ABA23400S				
REF. No.	PART No.	DESCRIPTION		
1	AAA502AF3	Axle	Concentric (Straight)	
2	AAA502AF6		Eccentric	Running Clearance < 32 mm
	AAA502AF5	Running Clearance = 32 mm		
3	AAA320GE1	Bumper		
4	KAA156AAA900 KAA156AAA1	Contactor		
5	N0N7201M8-8-Z	Hex Nut, M8, with Serrated Flange		
6	AAA456ZC1	Roller		
7	IS07045M5X8Z-4.8Z	Screw, Pan Head, M5X8 Cross Recessed		
8	AAA130BP3	Washer, Lock		

Type AAA23400R Interlock Switch Assembly

27-AAA23400S

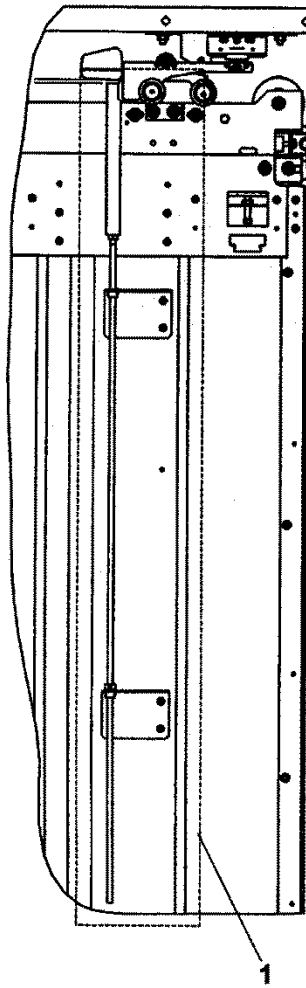


AAA23400S
AAB23400S
ABA23400S

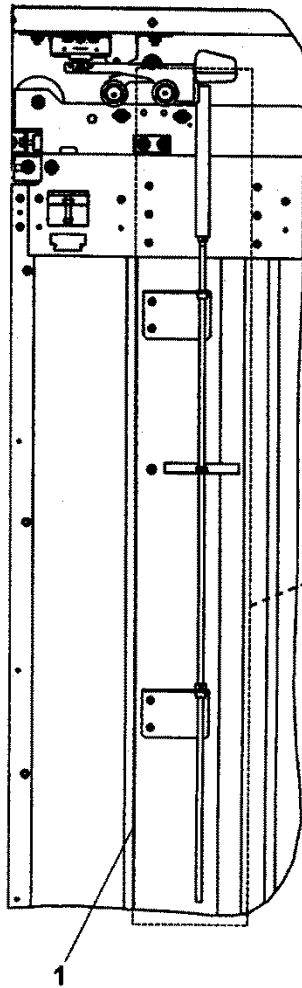
REF. No.	PART No.	DESCRIPTION
1	AAA661H1	Assembly, Switch
2	AAA320GJ1	Bumper
3	AAA255MM1	Shim, Thickness = 1.6 mm (0.063 in.)
4	KAA156AAB1	Spring, Contact (not handed)

27-AAA23400S

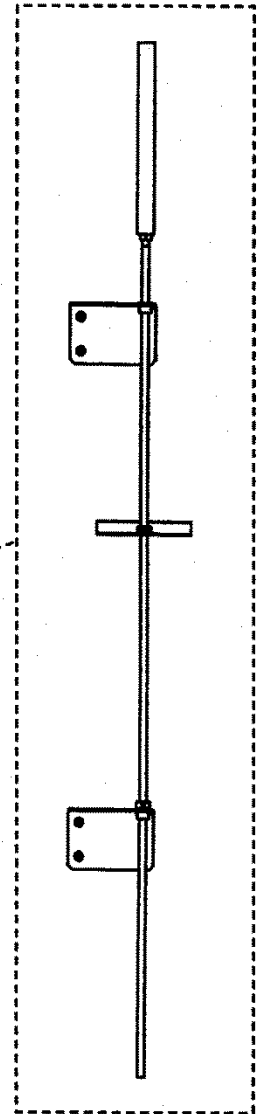
AAA23400T Unlocking Device Assembly



Mount as shown for left hand door



Mount as shown for right hand door



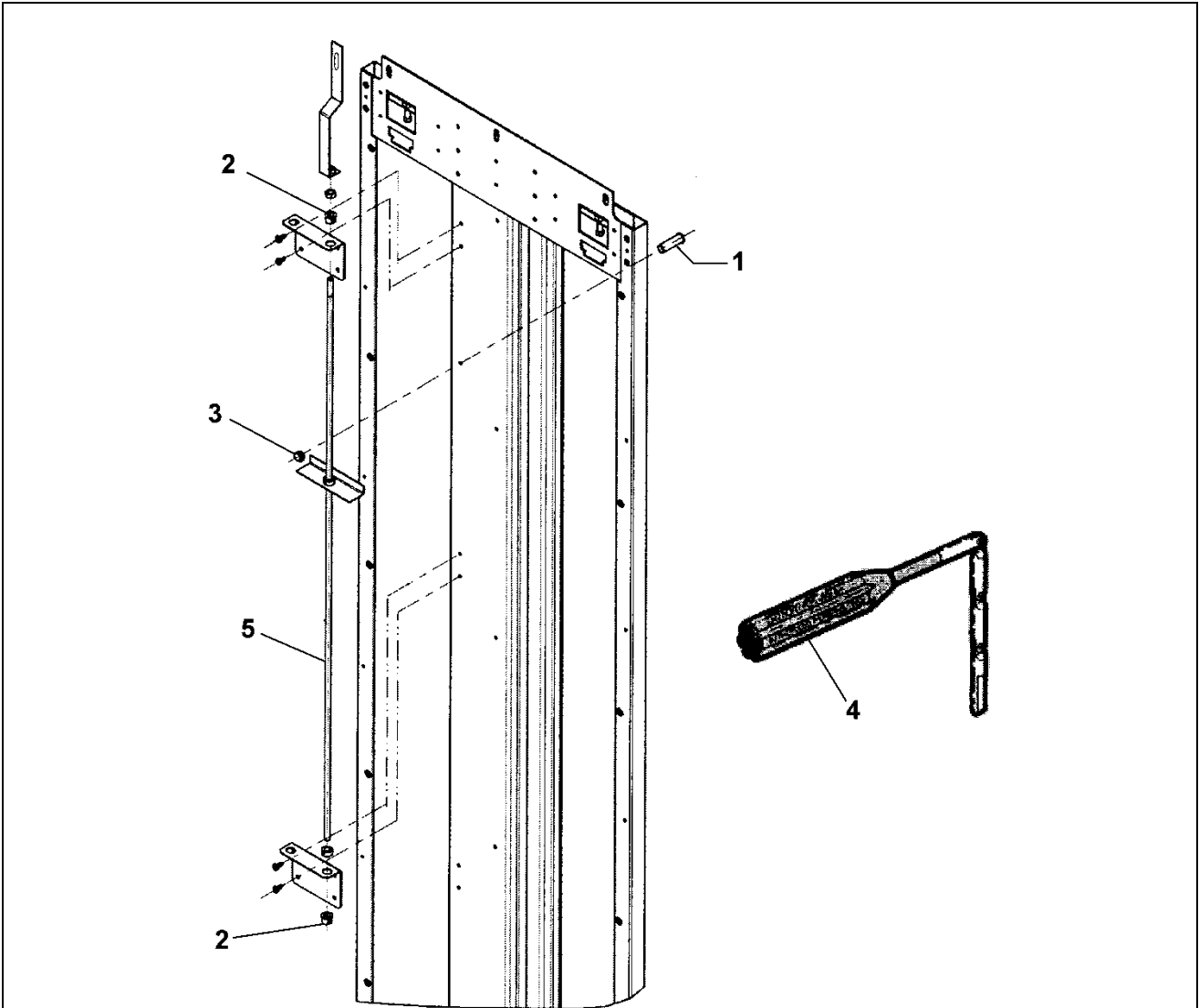
REF. No.	W/O VINTAGE	DESCRIPTION	BUSHING FINISH
	PART No.		
1	AAA23400T401	Assembly, Unlocking Device, See NOTE	Stainless Steel
	AAA23400T402		Bronze
*	AAA23400T1	Bushing, Collar, Spacer, & Washer Kit	Stainless Steel
	AAA23400T2		Bronze

NOTE: See SPL 27-AAA23400X for replacement assemblies.

* Part not shown.

Type AAA23400T Unlocking Device Assembly

27-AAA23400S



W/O VINTAGE		
REF. No.	PART No.	DESCRIPTION
1	321CV7	Bushing, Stainless Steel
	321CV8	Bushing, Bronze
2	334BA5	Bushing
3	AAA340CW1	Collar
4	AAA194AZ1	Key, Unlocking, 2-Link (for standard thickness hoistway door)
	AAA194AZ6	Key, Unlocking, 3-Link (as shown) (for hoistway door thickness > 1.25 in. and ≤ 3.25 in.)
5	AAA98MJ1	Rod