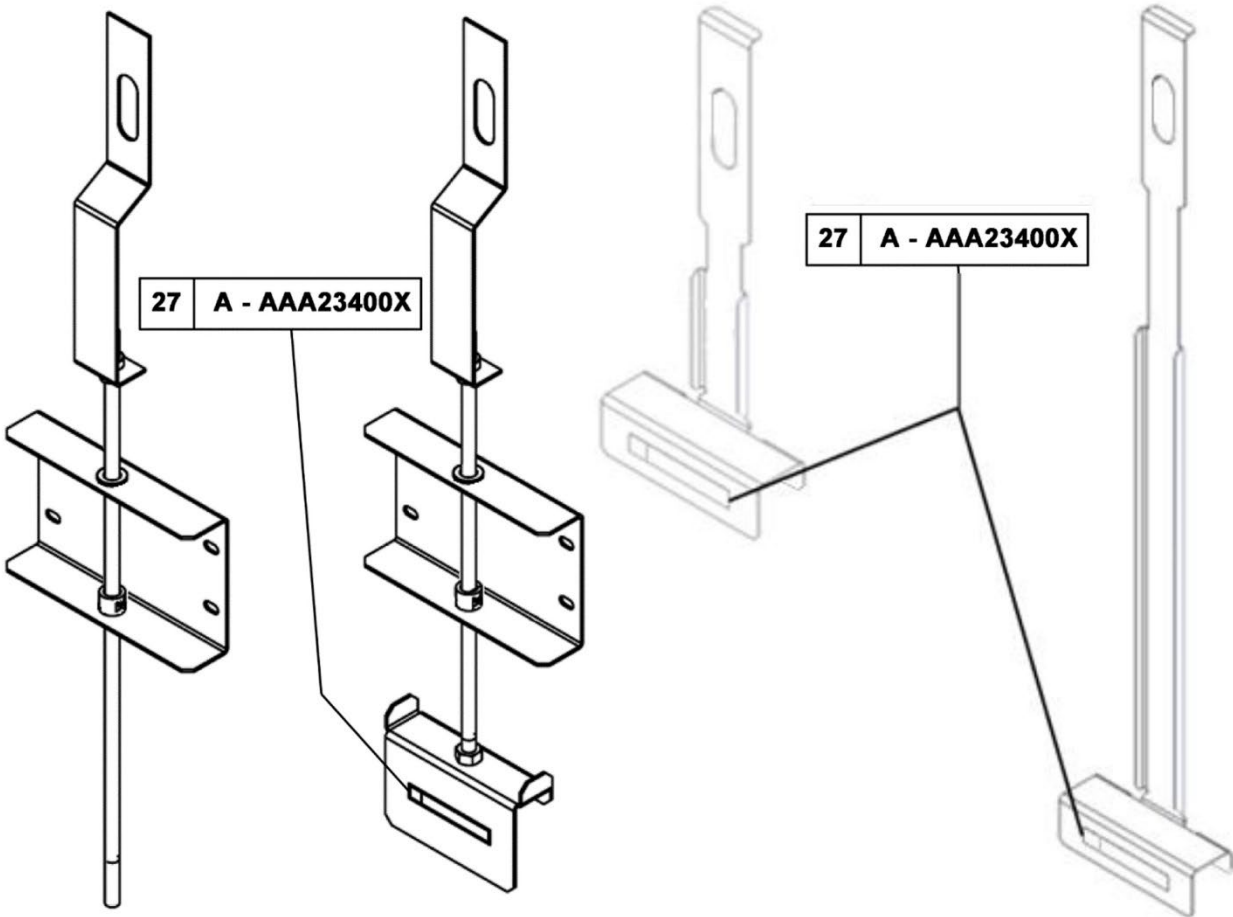


# Unlocking Device Assembly

## Spare Parts Leaflet 27-AAA23400X

June 26, 2024 / Page 1 of 8



# OTIS

This document does not contain any  
technical data subject to EAR or ITAR

**SERVICE ENGINEERING**  
**Otis Elevator Company**  
**Bloomfield, Connecticut USA**

Unpublished Work—© Otis Elevator Co.; 2024

# History

**27-AAA23400X**

## Leaflet Description

This spare parts leaflet (SPL) covers AAA23400X unlocking device used on NG Door System with AAA23400S interlock assembly. Each hoistway door requires an interlock assembly consisting of lock, switch, and unlocking key.

## Leaflet Revisions

Date Revised	Subject Matter Expert	Reason for Revision
November 7, 2012	Brian Regan	New SPL
November 27, 2019	Peter Kelley	Revised history page
January 17, 2024	Shebin Sunny	Added new pages 7 & 8
June 26, 2024	James Chmiel	Revised page 7, consolidating with page 8. Added AAA23400X9-10 & AAA23400X414-415.

## Related Drawings

Drawing No.	Title
AAA23400X	Unlocking Device Assembly
AAA23400S	Interlock Arrangement

## Related Documents

Document ID	Title
SPL 27-AAA23400S	Interlock Assembly, NG Door System
---	---

## Subject Matter Expert

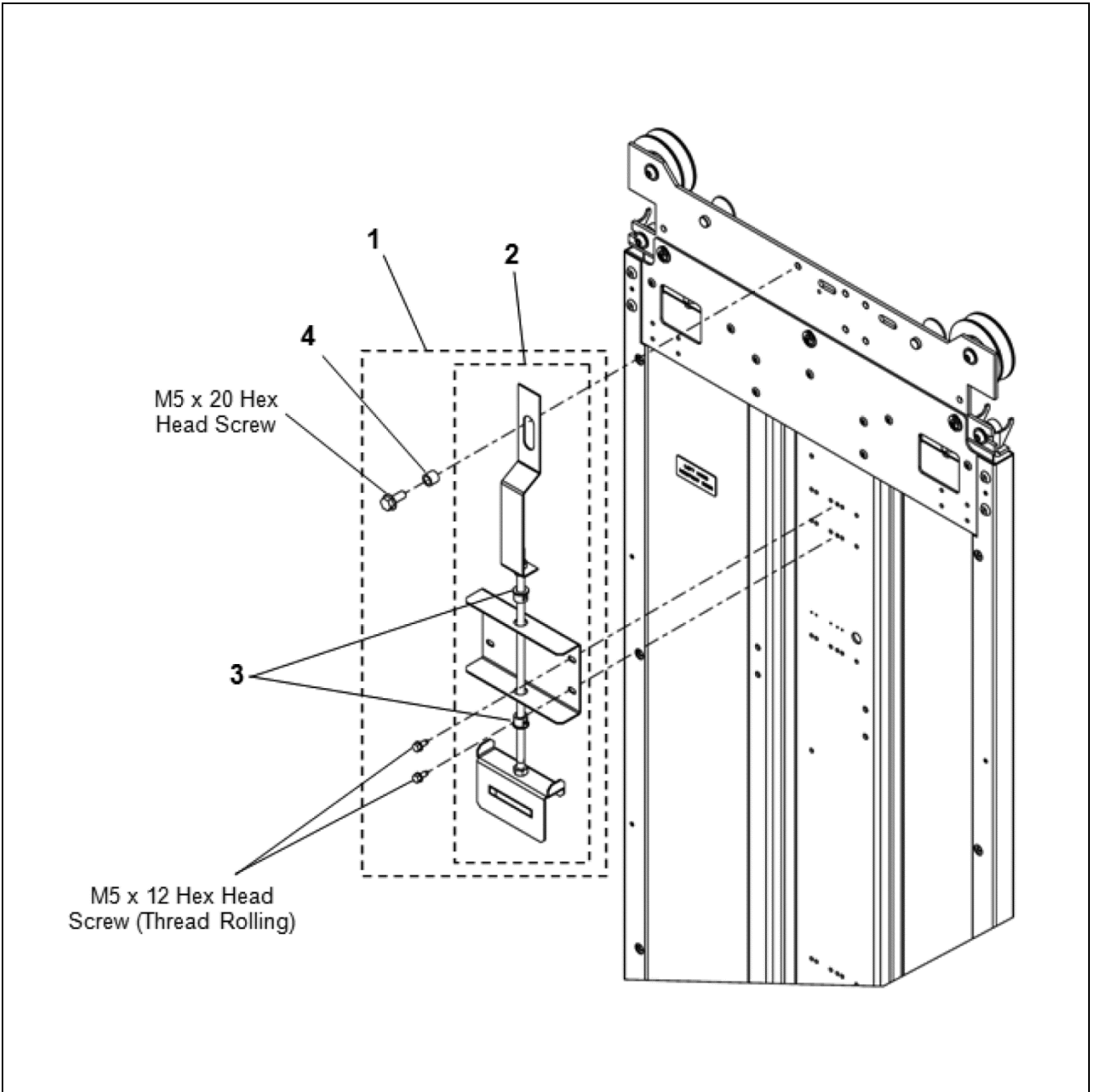
Name	Department
Shebin Sunny & Jordan Thomas	Product Lifecycle Mgmt & OSC Service Engineering

## About Spare Parts Leaflets...

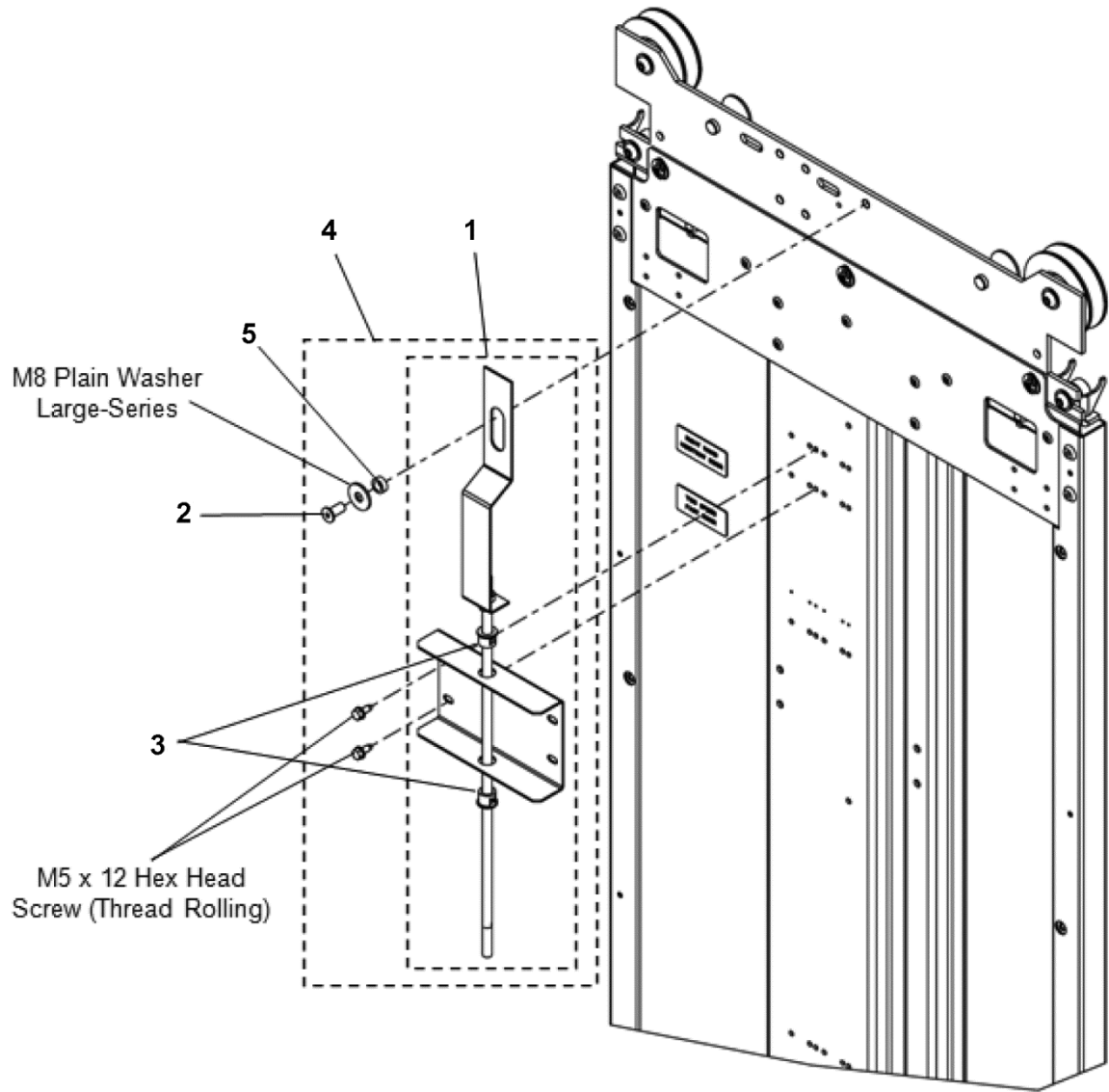
This document lists the lowest replaceable units (LRUs) for the standard version of the product. The LRUs are chosen by a team of Otis associates representing engineering and manufacturing.

While goal of this document is to make parts identification as easy as possible, the document cannot be all-inclusive. Elevator and escalator contracts classified as “special” or “custom” are not addressed here. For such contracts, please refer to specified information, the contract folder, TIPs, Field Education Articles, Construction Letters, etc. for further information.

If you have any suggestions about this document, please contact the subject matter expert listed on this page.



AAA23400X			
REF. No.	PART No.	DESCRIPTION	ENTRANCE HEIGHT
1	AAA23400X400	Assembly, Unlocking Device w/ Hardware	2134 mm (84 in.)
	AAA23400X401		2438 mm (96 in.)
2	AAA23400X1	Assembly, Unlocking Device	2134 mm (84 in.)
	AAA23400X2		2438 mm (96 in.)
3	334BA5	Bushing	
4	354CD132	Spacer, 13 mm	

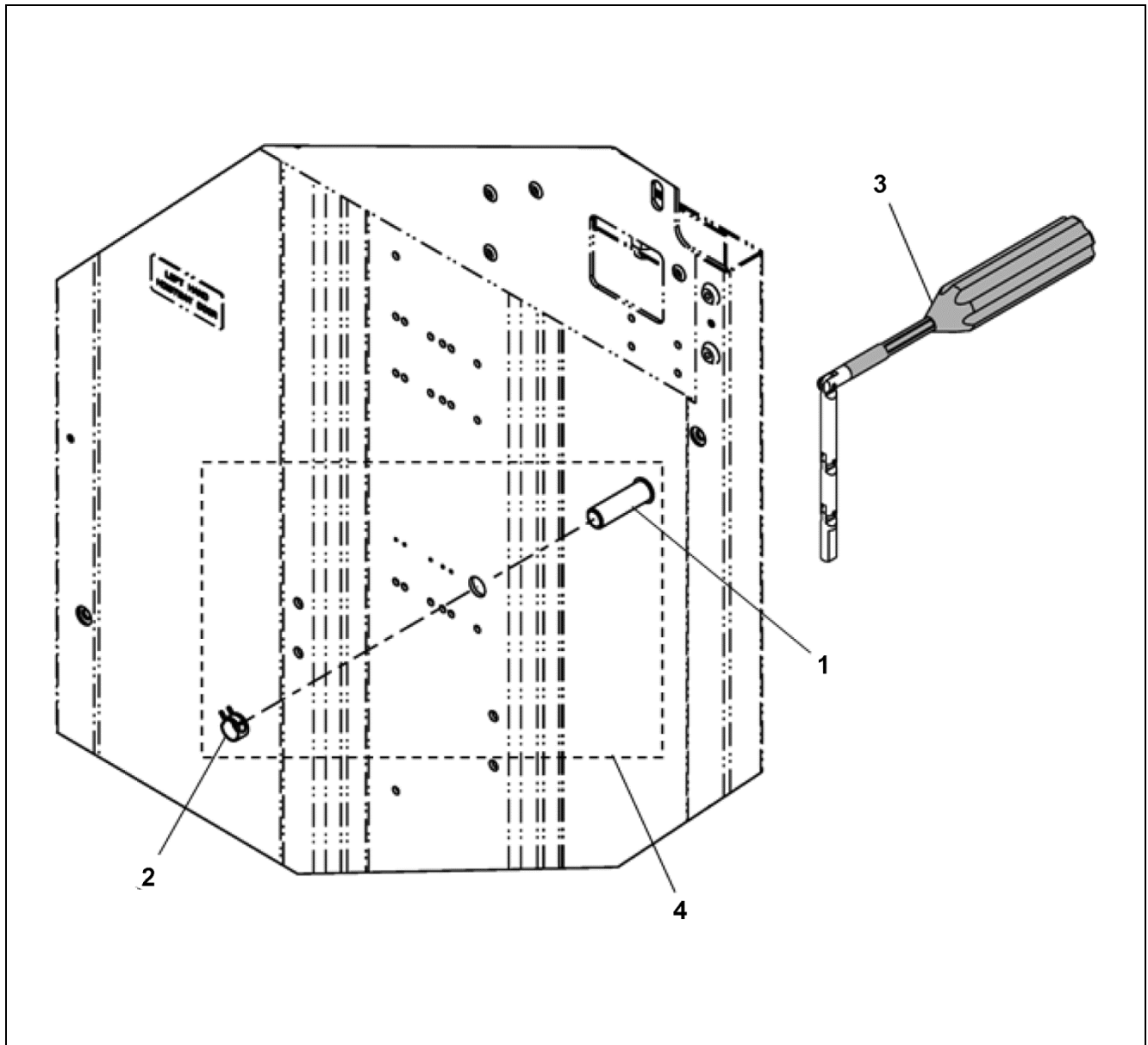


AAA23400X		
REF. No.	PART No.	DESCRIPTION
1	AAA23400X3	Assembly, Unlocking Rod
2	AAA65KT1	Bolt, Low-Profile M8
3	334BA5	Bushing
4	AAA23400X406	Kit, Unlocking Rod, w/ Hardware
5	354CD140	Spacer, 5 mm

**NOTE:** Unlocking rod kit is only for the center-opening 2-lock door that does not have an escutcheon tube or lock.

# Type AAA23400X Escutcheon Tube Kit

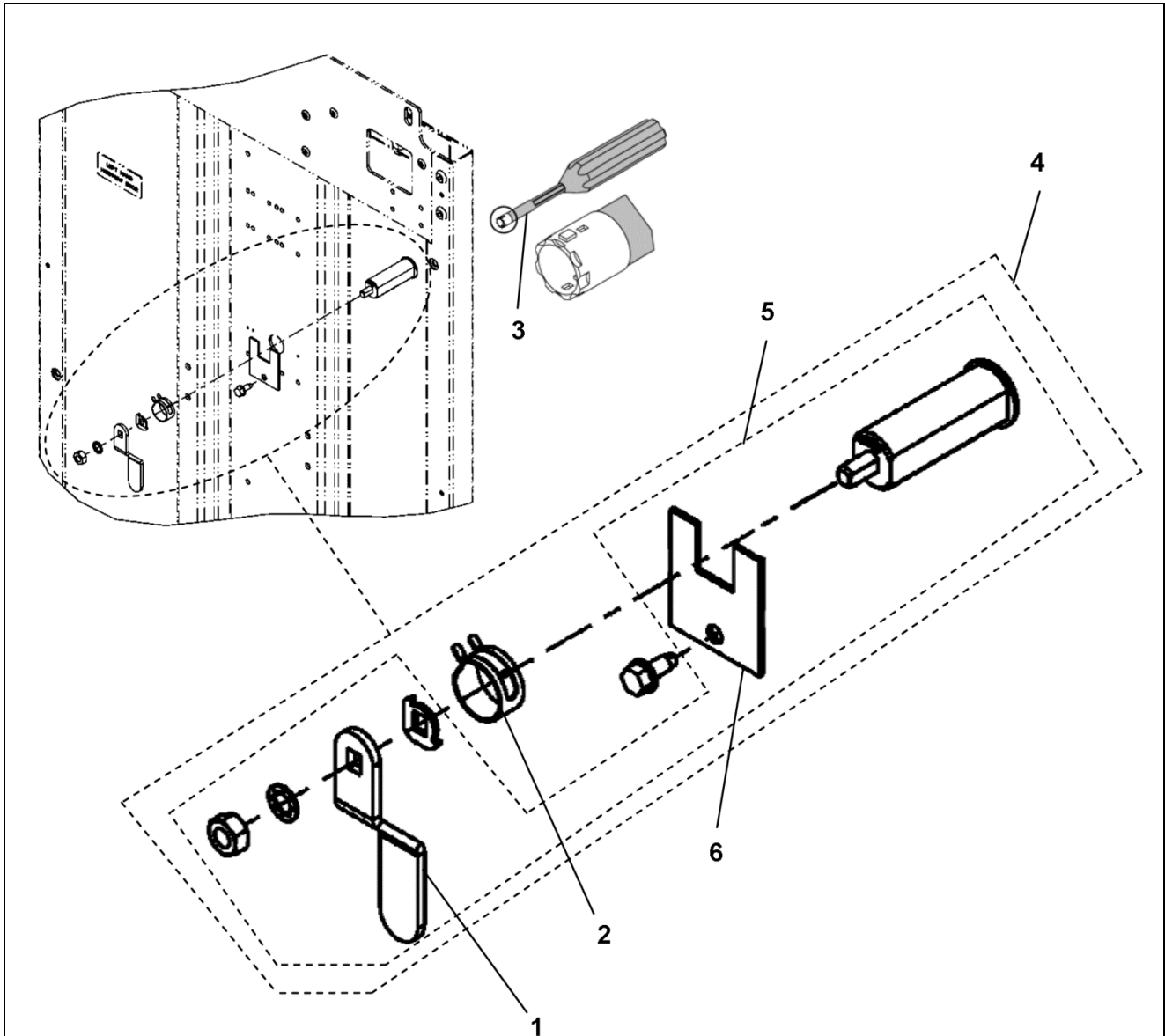
**27-AAA23400X**



AAA23400X		
REF. No.	PART No.	DESCRIPTION
1	321CV7	Bushing, Stainless Steel
	321CV8	Bushing, Brass
2	AAA340CW1	Collar, 1/2 in.
3	AAA194AZ1	Key, Unlocking, 2-Link (for standard thickness hoistway door)
	AAA194AZ6	Key, Unlocking, 3-Link (as shown) (for hoistway door thickness > 1.25 in. and ≤ 3.25 in.)
4	AAA23400X402	Kit, Escutcheon Tube, Stainless Steel
	AAA23400X403	Kit, Escutcheon Tube, Brass

# Type AAA23400X Lock Kit

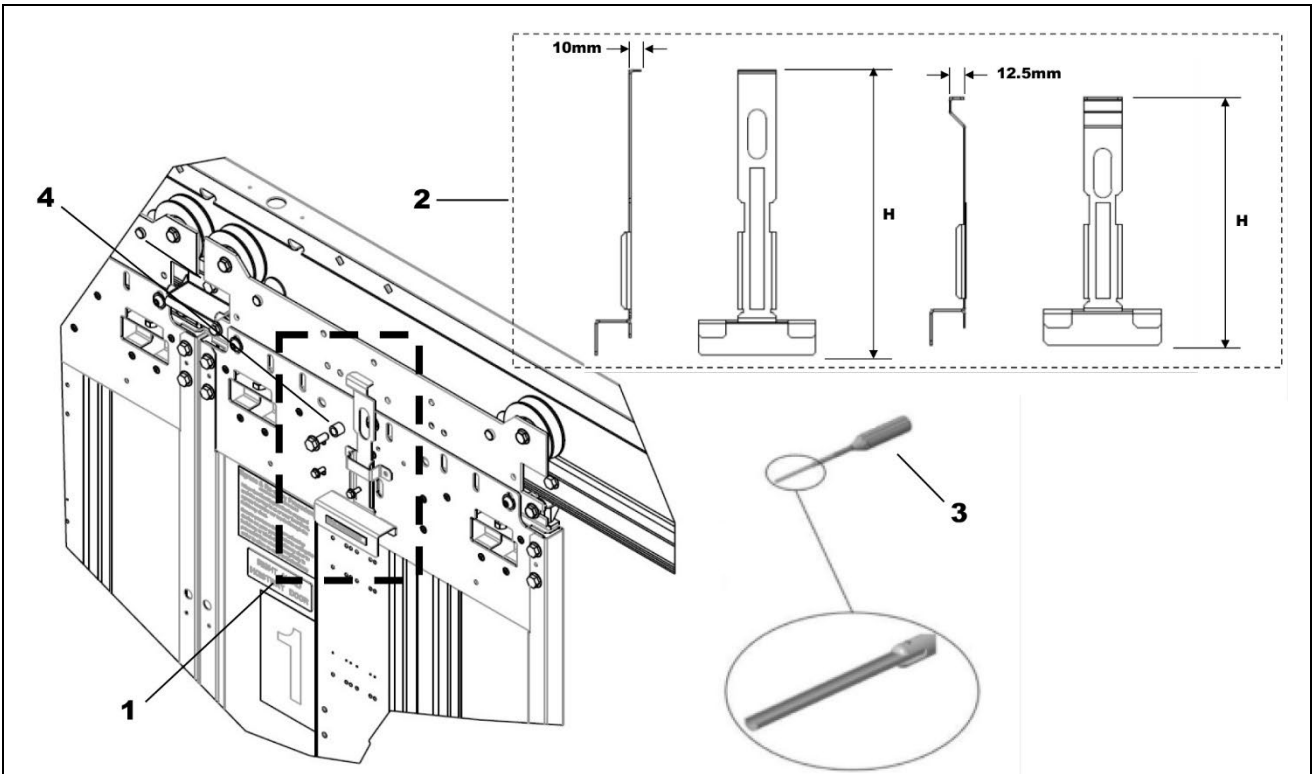
**27-AAA23400X**



AAA23400X		
REF. No.	PART No.	DESCRIPTION
1	AAA327PY1	Cam
2	AAA340CW2	Collar, 3/4 in.
3	AAA194BN1	Key
4	AAA23400X404	Kit, Lock, Stainless Steel
	AAA23400X405	Kit, Lock, Brass
5	AAA431AP2	Lock, Stainless Steel
	AAA431AP1	Lock, Brass
6	AAA130BY1	Washer, Lock

# AAA23400X Unlocking Device Kit

**27-AAA23400X**



AAA23400X					
REF. No.	PART No.	DESCRIPTION	H	INTERLOCK	ENTRANCE HEIGHT
1	AAA23400X412	Assembly, Unlocking Device w/ Hardware	243.4 mm	NG	2134 mm (84 in.)
	AAA23400X413		541.9 mm	NG	2438 mm (96in.)
	AAA23400X414		211.1 mm	AG	2134 mm (84 in.)
	AAA23400X415		506.1 mm	AG	2438 mm (96in.)
2	AAA23400X7	Assembly, Unlocking Device	243.4 mm	NG	2134 mm (84 in.)
	AAA23400X8		541.9 mm	NG	2438 mm (96in.)
	AAA23400X9		211.1 mm	AG	2134 mm (84 in.)
	AAA23400X10		506.1 mm	AG	2438 mm (96in.)
3	AAA194BZ1	Key, Unlocking, (for standard thickness hoistway door < 1.25 in.) Half-Moon Shaped			
4	354CD132	Spacer, 13 mm			