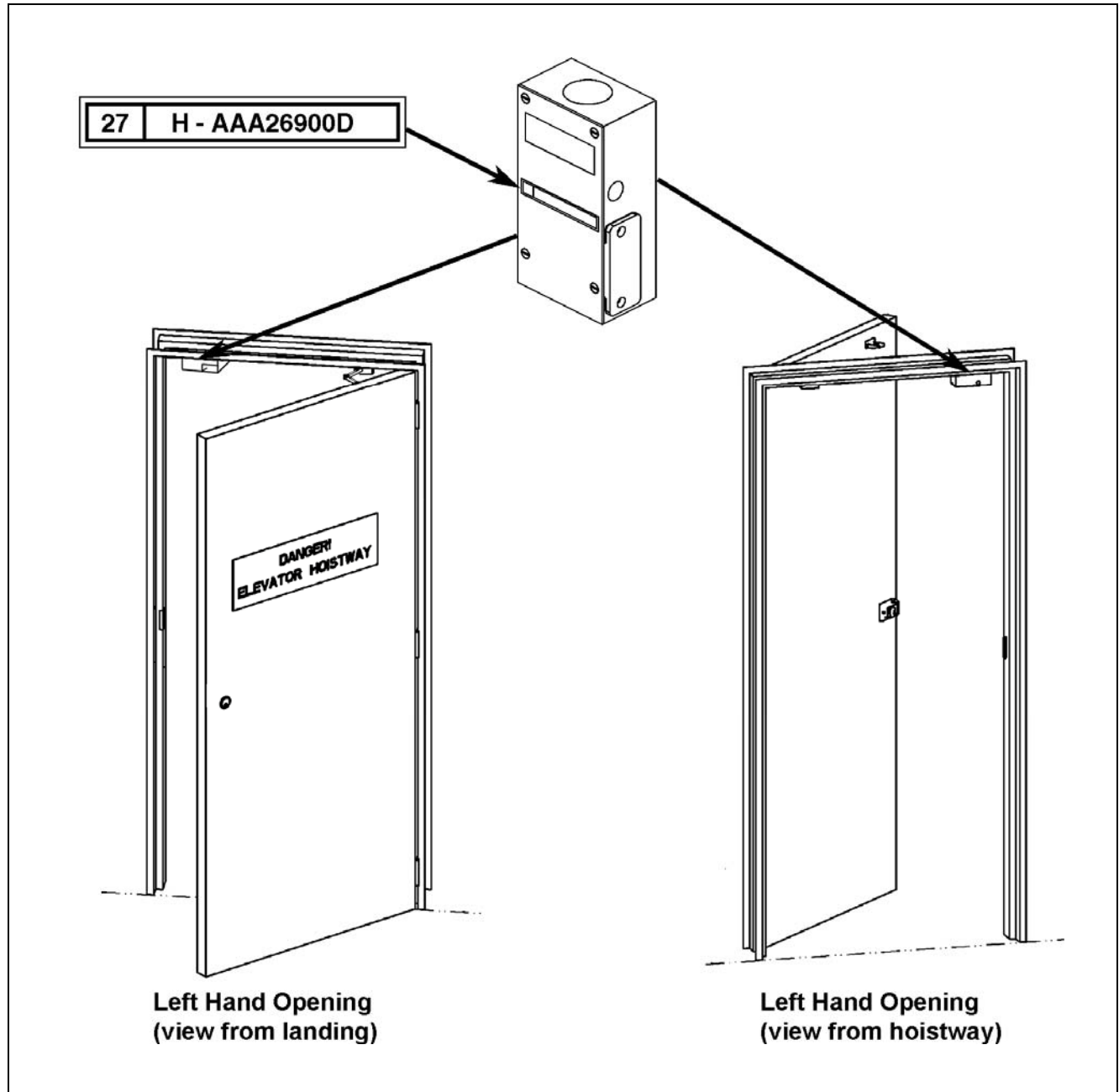


Contact Switch and  
Lock, Emergency Door  
(for Blind Hoistway)

Spare Parts Leaflet  
27-AAA26900D

November 27, 2019 / Page 1 of 4



**OTIS**

This document does not contain any  
technical data subject to EAR or ITAR

SERVICE ENGINEERING  
Otis Elevator Company  
Bloomfield, Connecticut USA

Unpublished Work—© Otis Elevator Co.; 2019

## Leaflet Description

Code (ASME A17.1a clause 2.11.1.2) requires installing a door in a blind portion of the hoistway at every third floor, but not more than 36 feet. The SPL describes the lowest replaceable parts for the Otis supplied door contact switch and lock assemblies. The emergency door, entrance frame, barrier, and self-closing door mechanism are supplied by others.

## Leaflet Revisions

Date Revised	Subject Matter Expert	Reason for Revision
February 16, 2011	Naresh M. Shah, Brian Regan	New SPL
November 27, 2019	Peter Kelley	Revised history page

## Related Drawings

Drawing No.	Title	Drawing No.	Title
AAA26900D	Contact Switch, Emergency Door	AAA431AR	Door Lock, Hoistway (Emergency Door)

## Related Documents

Document ID	Title
---	---

## Subject Matter Expert

Name	Department
Peter Kelley	OSC Service Engineering

## About Spare Parts Leaflets...

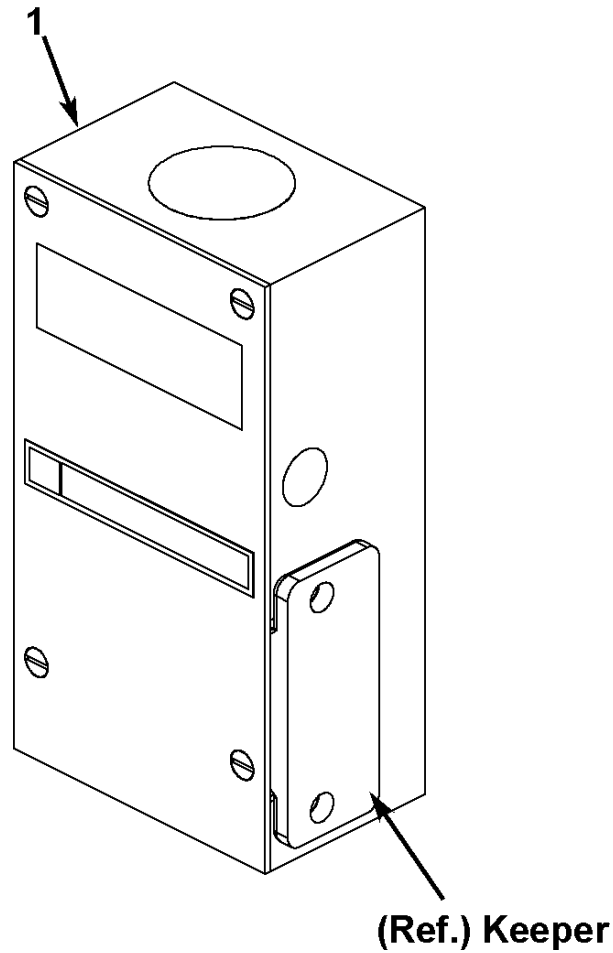
This document lists the lowest replaceable units (LRUs) for the standard version of the product. The LRUs are chosen by a team of Otis associates representing engineering and manufacturing.



While goal of this document is to make parts identification as easy as possible, the document cannot be all-inclusive. Elevator and escalator contracts classified as “special” or “custom” are not addressed here. For such contracts, please refer to specified information, the contract folder, TIPS, Field Education Articles, Construction Letters, etc. for further information.

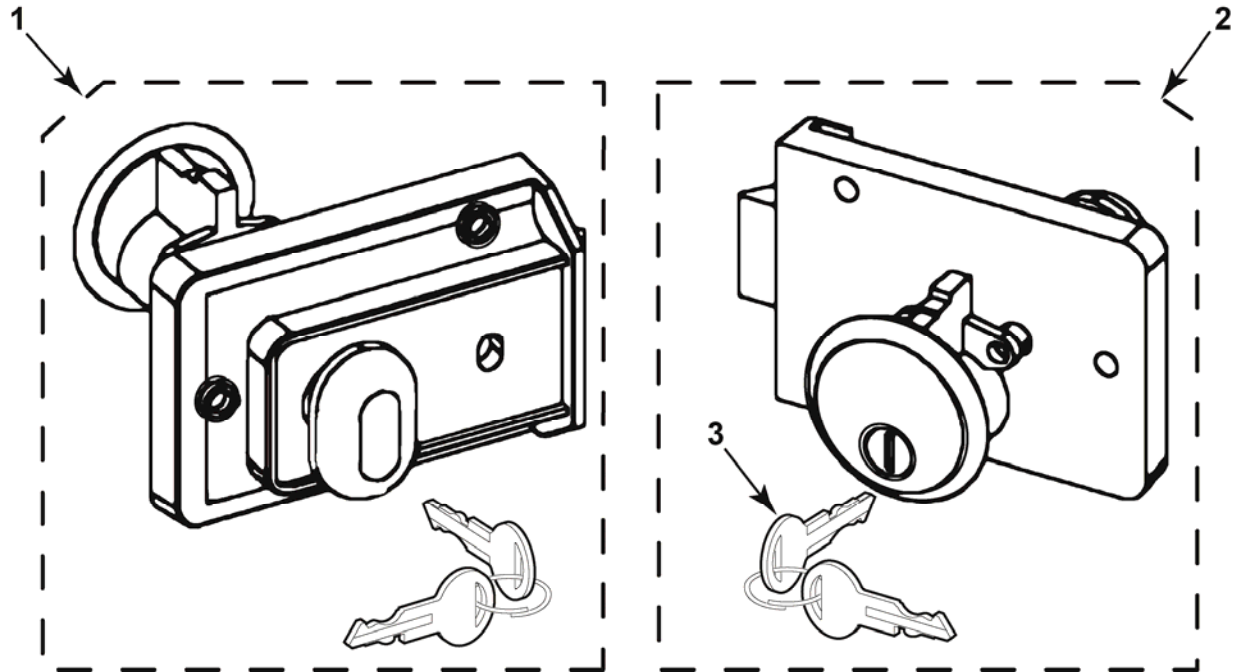
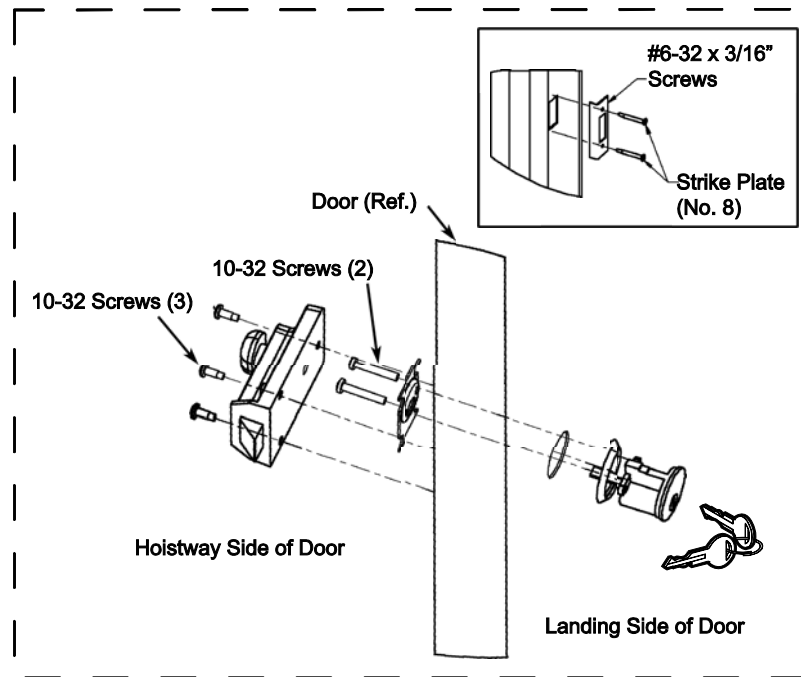
If you have any suggestions about this document, please contact the subject matter expert listed on this page.

# Contact Switch Assembly

27-AAA26900D



REF. No.	PART No.	DESCRIPTION
1	AAA26900D1	Assembly, Emergency Door Contact Switch 
	AAA26900D2	Assembly, Emergency Door Contact Switch, 



REF. No.	PART No.	DESCRIPTION
1	AAA431AR1	Kit, Lock Assembly (Yale 80) Includes: Lock Assembly, Two Keys, Strike Plate, and all Mounting Hardware
2	AAA431AR2	Kit, Lock Assembly (Yale 80) for 3502 Key includes: Lock Assembly, (2) 3502 Keys, Strike Plate, and all mounting hardware
3	VP-797130	Keys, Two (No. 3502)