

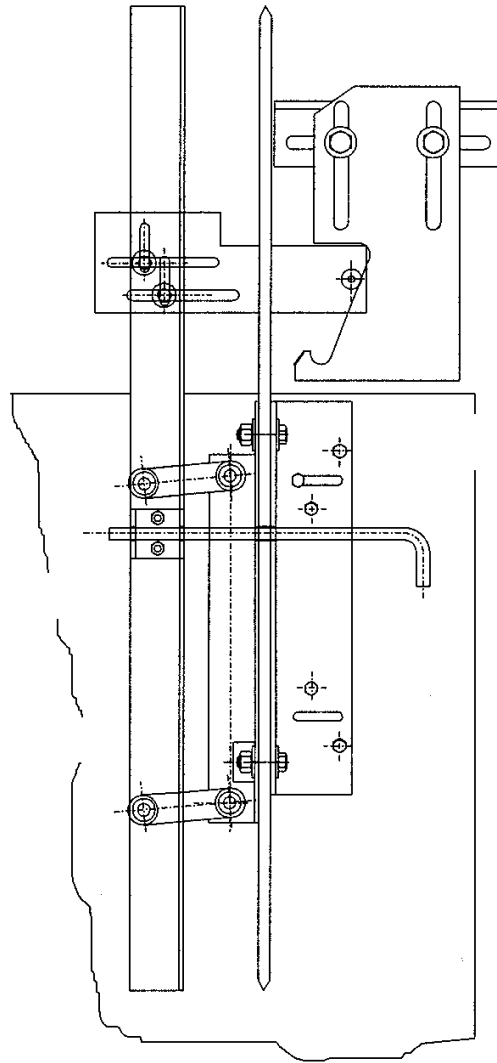
# Mechanical Door Restrictor

**Spare Parts Leaflet**

**27-AAA6940BS**

**January 17, 2003 / Page 1 of 5**

**Supercedes SPL 27-AAA6940BS Dated May 1998**



# OTIS

**Safety First!**

**SERVICE ENGINEERING**  
Otis Elevator Company  
Bloomfield, Connecticut USA

**Leaflet Description**

This leaflet breaks out replacement assemblies and parts for the mechanical door restrictor.

**Leaflet Revisions**

<b>Date Revised</b>	<b>Subject Matter Expert</b>	<b>Reason for Revision</b>
May 1998	Blair Cohen	New SPL
January 17, 2003	Duane Stupienski	Page 3 parts numbers changed from ABA to ACA vintage. Add new LRU of shim on page 4.

**Related Drawings**

<b>Drawing No.</b>	<b>Title</b>	<b>Drawing No.</b>	<b>Title</b>
ABA6940BS	Evacuation Deterrent for Car with 6940 Interlock	ACA6940BS	Evacuation Deterrent for Car with 6940 Interlock

**Related Documents**

<b>Document ID</b>	<b>Title</b>
TIP 23.6-8	AAA6940BS Mechanical Door restrictor (4 Bar Linkage Version)
TIP 23.6-11	AAA453XN3 Retrofit Kit to Increase Strength of Roller Shaft

**Subject Matter Expert**

<b>Name</b>	<b>Department</b>
Duane Stupienski	Service Engineering

**About Spare Parts Leaflets...**

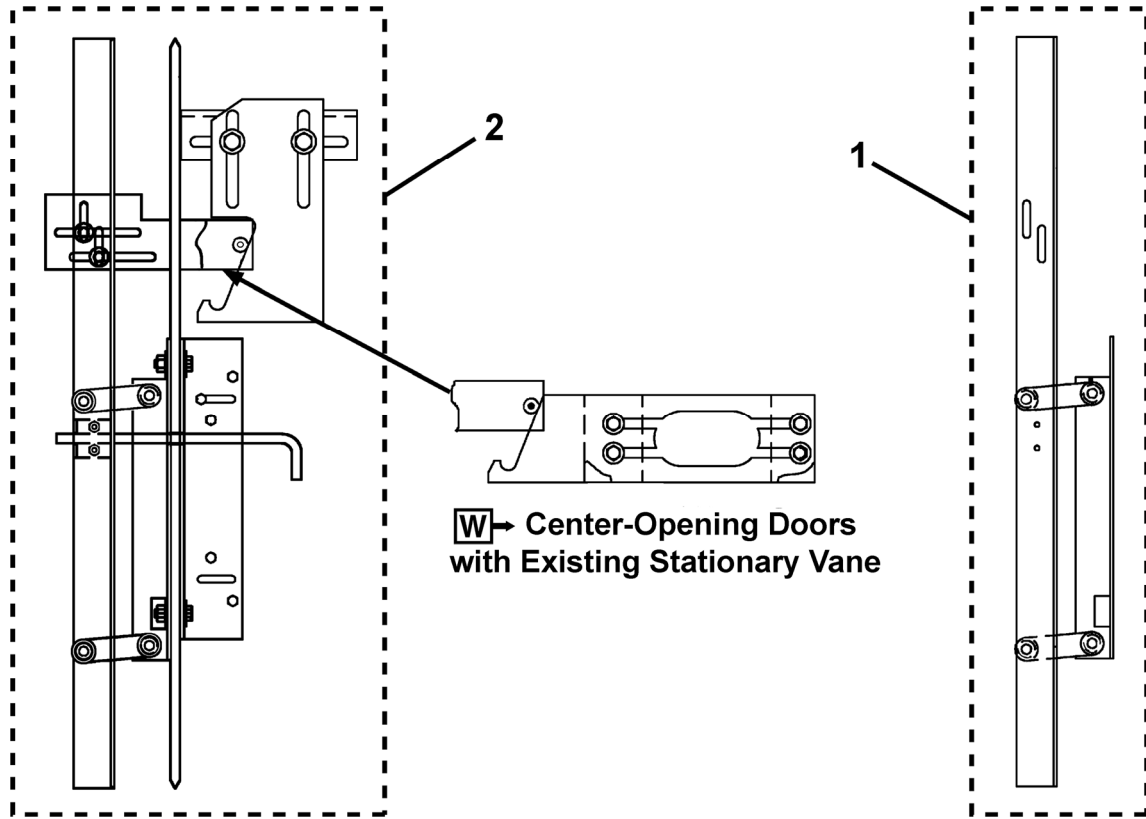
This document lists the lowest replaceable units (LRUs) for the standard version of the product. The LRUs are chosen by a team of Otis associates representing engineering and manufacturing.

While goal of this document is to make parts identification as easy as possible, the document cannot be all-inclusive. Elevator and escalator contracts classified as "special" or "custom" are not addressed here. For such contracts, please refer to specified information, the contract folder, TIPs, Field Education Articles, Construction Letters, etc. for further information.



If you have any suggestions about this document, please contact the subject matter expert listed on this page.

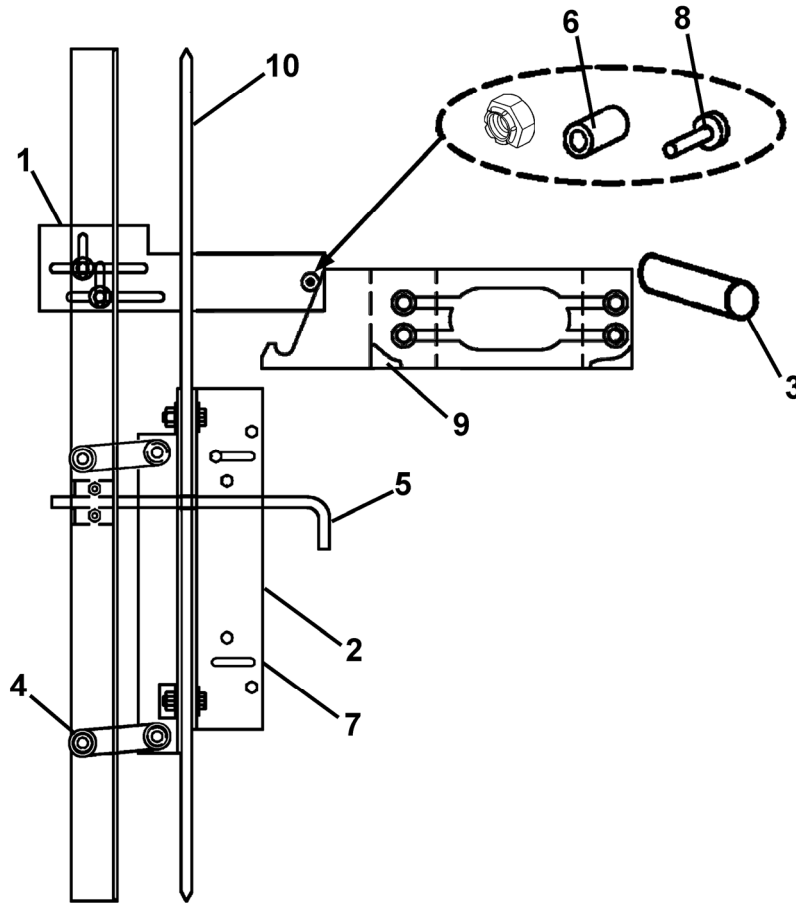
# Mechanical Door Restrictor

**27-AAA6940BS**

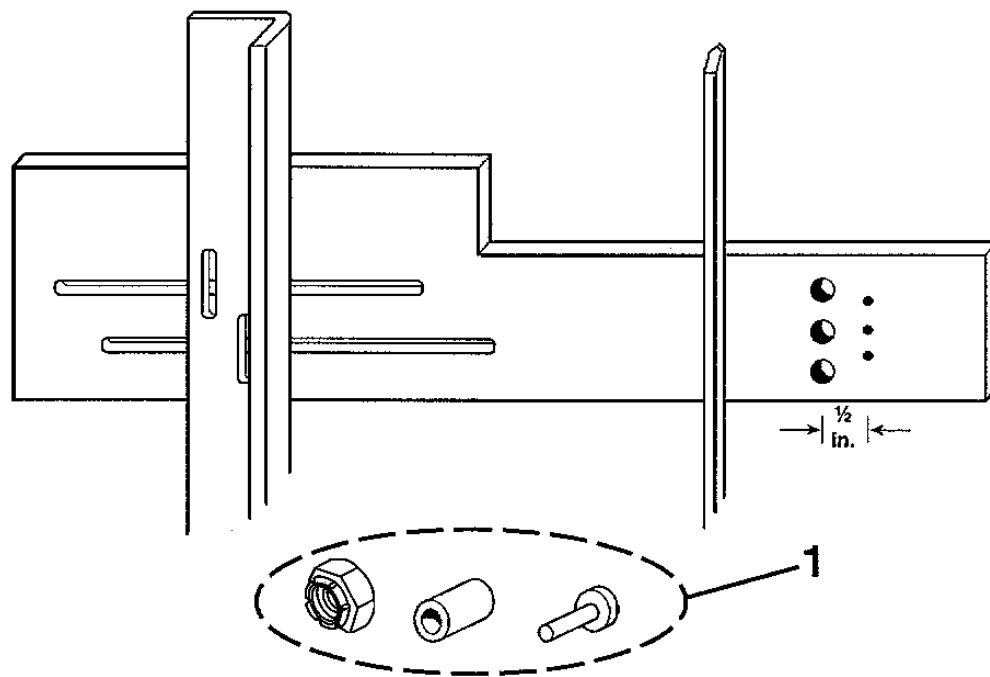



**Single-Slide and Two-Speed Arrangement Shown**

W/O VINTAGE		
REF. No.	PART No.	DESCRIPTION
1	ACA6940BS7	Assembly, Vane, Service Replacement, for ACA6940BS1 & ACA6940BS3
	ACA6940BS8	Assembly, Vane, Service Replacement, for ACA6940BS2
2	ACA6940BS1	Restrictor, Door, Mechanical,  , for Single-Slide, Two-Speed Doors w/Existing Stationary Vane
	ACA6940BS2	Restrictor, Door, Mechanical,  , for Single-Slide, Two-Speed Doors w/Existing Stationary Vane
	ACA6940BS3	Restrictor, Door, Mechanical, , for Center-Opening Doors w/Existing Stationary Vane
	ACA6940BS4	ACA6940BS1, w/Cam & Bracket for Movable Vane Retrofit
	ACA6940BS5	ACA6940BS2, w/Cam & Bracket for Movable Vane Retrofit
	ACA6940BS6	ACA6940BS3, w/Cam & Bracket for Movable Vane Retrofit



W/O VINTAGE		
REF. No.	PART No.	DESCRIPTION
1	AAA288ABA2	Arm, Roller, for 5/16 in. Shaft
2	283FP1	Bracket, Door-Mounted
3	AAA27BA1	Cylinder
4	172DR4	Ring, Retaining
5	AAA98HS1	Rod, Yellow
6	AAA456XN2	Roller, for 5/16 in. Shaft
7	109P2	Screw, Thread-Rolling
8	AAA494LW2	Shaft, Roller, 5/16 in. Thread
9	AAA255HF1	Shim (mounts with blocking spacer of the locking plate used with ACA6940BS3 arrangement only)
10	AAA327NT1	Vane, Stationary



W/O VINTAGE		
REF. No.	PART No.	DESCRIPTION
1	AAA456XN3	Kit, Retrofit, for 10-32 Threaded Roller Shaft (Includes: Roller, Roller Shaft, & Nut for 5/16 in. Thread.  Page 4.)