

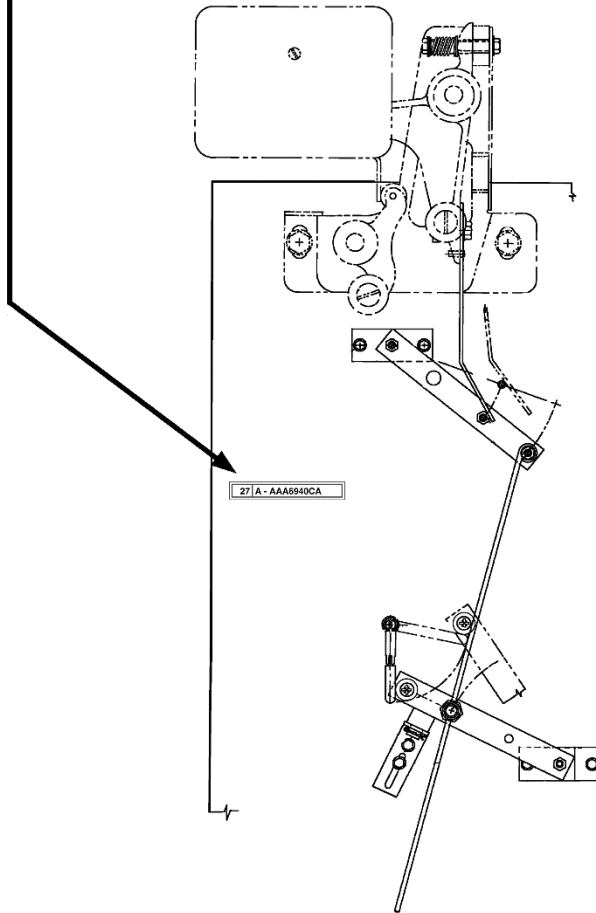
**Emergency Key
Transmission
(6940 Interlock)**

**Spare Parts Leaflet
27-AAA6940CA**

July 20, 2022 / Page 1 of 4

27 A - AAA6940CA

NOTE: Vintage tag is Field mounted on hoistway door in vicinity of the unlocking device.



OTIS

This document does not contain any technical data subject to EAR or ITAR

**SERVICE ENGINEERING
Otis Elevator Company
Bloomfield, Connecticut USA**

Unpublished Work—© Otis Elevator Co.; 2022

Leaflet Description

The LRUs in this SPL closely relate to corresponding LRUs in the earlier vintage (6940AW) unlocking devices. Spare parts for those early vintage unlocking devices are in SPL 27-C6940AP.

Leaflet Revisions

Date Revised	Subject Matter Expert	Reason for Revision
May 16, 2003	Duane Stupiencki	New SPL
September 10, 2006	Diem Tran	Added uni-clamp AAA340CW1
July 20, 2022	Pete Kelley	Added AAA6940CA9 & 10

Related Drawings

Drawing No.	Title	Drawing No.	Title
AAA6940CA	Assembly & Arrangement Emergency Key Transmission 6940 Interlock	---	---
---	---	---	---

Related Documents

Document ID	Title
19-AAA6178CS	Integral Car Door Hanger and Track Assembly
25-AAA24479A	Car & Hoistway Door Rollers & Guides: Integral & Applied Hangers
27-C6940AP	Interlock Assemblies and Door Closers

Subject Matter Expert

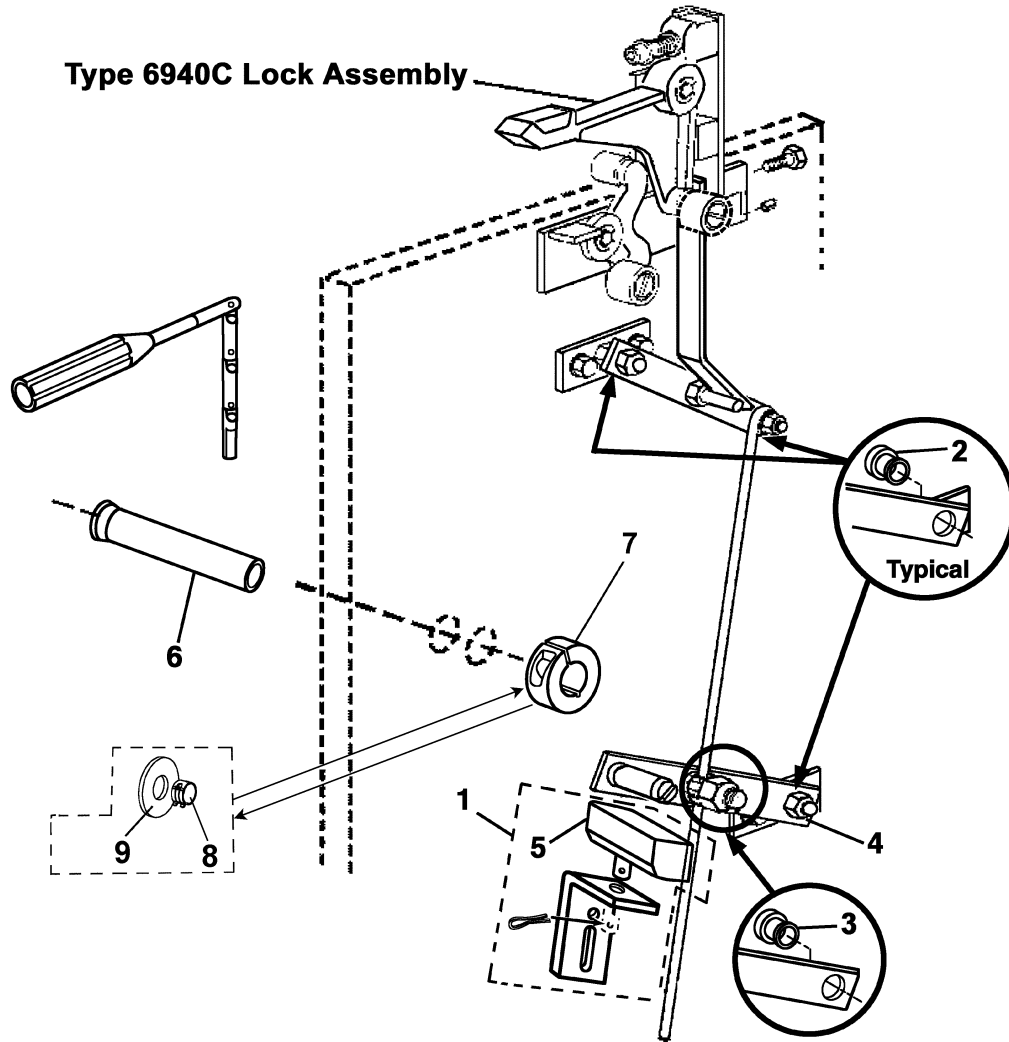
Name	Department
Pete Kelley	OSC Service Engineering

About Spare Parts Leaflets...

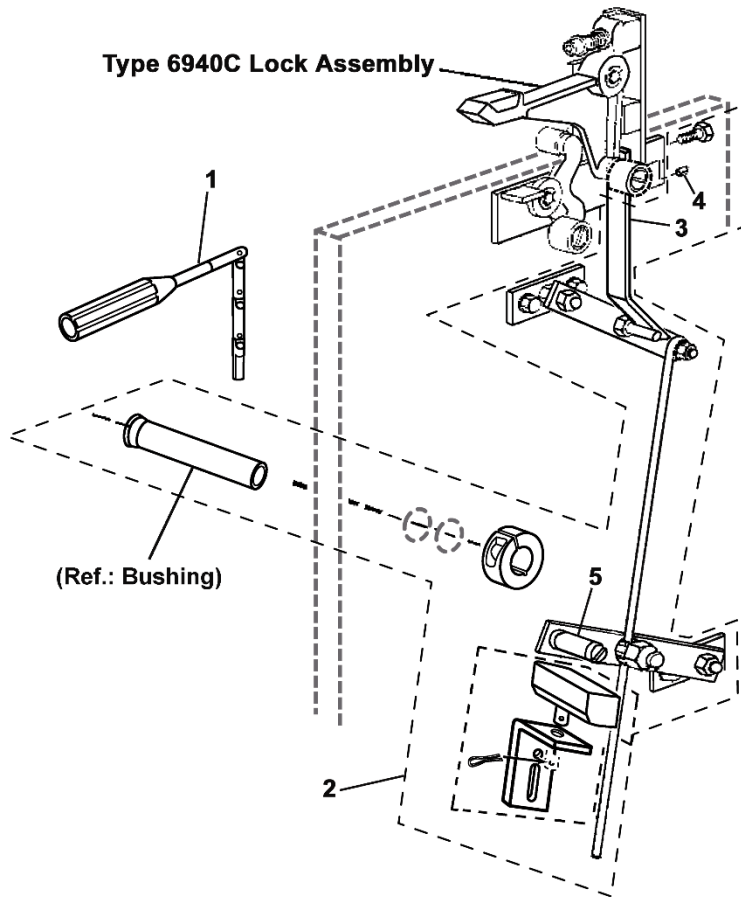
This document lists the lowest replaceable units (LRUs) for the standard version of the product. The LRUs are chosen by a team of Otis associates representing engineering and manufacturing.

While goal of this document is to make parts identification as easy as possible, the document cannot be all-inclusive. Elevator and escalator contracts classified as “special” or “custom” are not addressed here. For such contracts, please refer to specified information, the contract folder, TIPs, Field Education Articles, Construction Letters, etc. for further information.

If you have any suggestions about this document, please contact the subject matter expert listed on this page.



AAA6940CA		
REF. No.	PART No.	DESCRIPTION
1	316CTE2	Assembly, Bumper
2	212AB6	Bearing, Nylon
3	212AB5	Bearing, Nylon
4	58AK3	Bolt, Fin Hex, 1/2 x 1-1/2 in.
5	320P5	Bumper, Rubber (stop)
6	321CV5	Bushing, Guide, Brass, 2.0 in. L
	321CV6	Bushing, Guide, Brass, 4.0 in. L
	321CV4	Bushing, Guide, Stainless Steel, 4.0 in. L
	321CV3	Bushing, Guide, Stainless Steel, 2.0 in. L
7	340BJ2	Collar Clamp
8	AAA340CW1	Uni-Clamp NOTE: If replacing 340BJ2 with uni-clamp, you must also order VP-904964.
9	VP-904964	Washer, M12 Plain



AAA6940CA			
REF. No.	PART No.	DESCRIPTION	
1	AAA194AZ6	Key, Emergency, with Three Links (for door thickness >1.25 and ≤3.25 in.)	
	AAA194AZ1	Key, Emergency, with Two Links (for standard 1.25 in. door thickness)	
2	AAA6940CA4	Unlocking Device, 88–108 in. Entrance Height, w/ Mounting Hardware & 2 in. Stainless Guide-Bushing	Refer to page 3 for bushing details.
	AAA6940CA5	Unlocking Device, 88–108 in. Entrance Height, w/ Mounting Hardware & 2 in. Brass Guide-Bushing	
	AAA6940CA6	Unlocking Device, 88–108 in. Entrance Height, w/ Mounting Hardware & 4 in. Stainless Guide-Bushing	
	AAA6940CA7	Unlocking Device, 88–108 in. Entrance Height, w/ Mounting Hardware & 4 in. Brass Guide-Bushing	
	AAA6940CA9	Unlocking Device, 109–122 in. Entrance Height, w/ Mounting Hardware & 2 in. Stainless Guide-Bushing	
	AAA6940CA10	Unlocking Device, 109–122 in. Entrance Height, w/ Mounting Hardware & 2 in. Brass Guide-Bushing	
3	288RV2	Lever, 8.2 in. L	
4	109P2	Screw, Thread-Forming	
5	462HA119	Spacer	