

**Interlock Assemblies /
Rebuild Kits & Door
Closers**

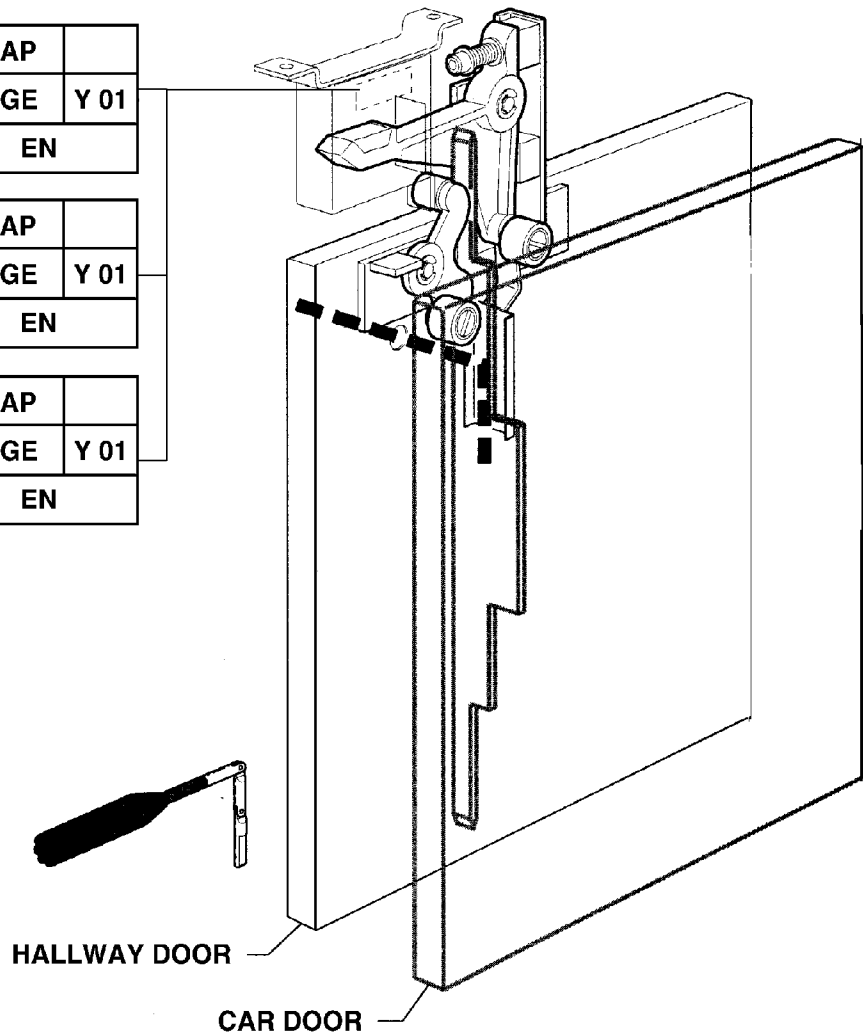
**Spare Parts Leaflet
27-C6940AP**

July 20, 2022 / Page 1 of 19

27	C6940AP	
Y	VINTAGE	Y 01
REV:	EN	

27	D6940AP	
Y	VINTAGE	Y 01
REV:	EN	

27	E6940AP	
Y	VINTAGE	Y 01
REV:	EN	



OTIS

This document does not contain any technical data subject to EAR or ITAR

**SERVICE ENGINEERING
Otis Elevator Company
Bloomfield, Connecticut USA**

Unpublished Work—© Otis Elevator Co.; 2022

Leaflet Description

The original leaflets, C-1009F and 27-C6940AP, covered several families of interlock assemblies and door closers. In order to focus on each type, the information in the SPLs was divided into separate leaflets. Each leaflet now covers a single type of family.

27-C6940AP covers the 6940 family of interlock, switch assemblies, and emergency keys and transmission devices. New parts, including later versions of emergency keys and contact assemblies, complete the leaflet.

Leaflet Revisions

Date Revised	Subject Matter Expert	Reason for Revision
January 1984	---	C-1009F
June 1994	---	C-1009F revised in part and released as SPL 27-C6940AP
June 1997	Duane Stupienski	Break out individual interlocks and closers, add new parts
April 1999	Duane Stupienski	Revised leaflet and added new parts
November 15, 2001	Duane Stupienski	Add reference to new contact assembly on p. 11
May 15, 2002	Duane Stupienski	Swap ref. 3 and 4 callouts on p. 4. Call out special pins and rollers (1-77A1 and 1-456C1) on pp. 7 and 10. Call out rubber washer on p. 16.
May 23, 2007	Diem Tran	Added vintage update for D6940AP and E6940AP; Added access key type AAA194BN for MA, MN, and CA due to code
February 22, 2008	Diem Tran	Corrected part number error on p. 4.
February 5, 2020	Pete Kelley	Revised to add rebuild kits information
July 20, 2022	Pete Kelley	Added AAA6940CA3, 5-7, & 10

Related Drawings

Drawing No.	Title
6940A	Otis Type 6940A Interlock
A6940H	Emergency and Access Key Device
6940BG	Type 6940A Interlock
6940AX	Emergency Key Transmission (Type 6940A Interlock)
C6940AP	6940A Interlock and Retractable Reel Closer for Hoistway Doors

(Continued on next page)

History

27-C6940AP

Related Documents

Document ID	Title
SPL 26-6940D	6940D Spring Closer
SPL 27-6940BA	6940BA Interlock Assembly
SPL 27-7080A	Type 7080A, D Interlock Assemblies
SPL 27-AAA23400P	Hoistway Access Device (Gen2)
TIP 0.1.5-1	Safety Policy—Drop Keys and Alternative Ring
TIP 23.4-8	AAA194AZ Flexible Drop Key (door unlocking device)
TIP 23.6-3	Shim Kit to Prevent Excess Movement in 6940 Door Locks
TIP 23.6-4	Interlock Contact for 6940B Interlock (AAA6940BP1 Substitutes 2700CCG1)
TIP 23.6-5	6940A Interlock Manufacturing Error (7/1-11/24/94)
TIP 23.6-9	Interlock Contact Assembly Changes & Incorrect Wiring Placement (Cracking Red Bases)

Subject Matter Expert

Name	Department
Peter Kelley	OSC Service Engineering

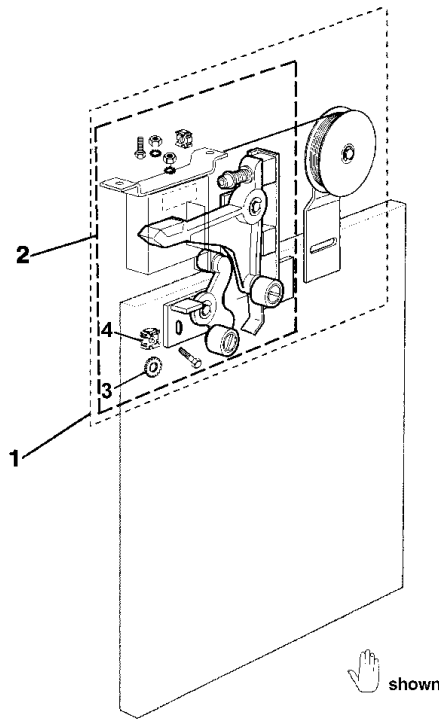
About Spare Parts Leaflets...

This document lists the lowest replaceable units (LRUs) for the standard version of the product. The LRUs are chosen by a team of Otis associates representing engineering and manufacturing.

While goal of this document is to make parts identification as easy as possible, the document cannot be all-inclusive. Elevator and escalator contracts classified as “special” or “custom” are not addressed here. For such contracts, please refer to specified information, the contract folder, TIPs, Field Education Articles, Construction Letters, etc. for further information.

If you have any suggestions about this document, please contact the subject matter expert listed on this page.

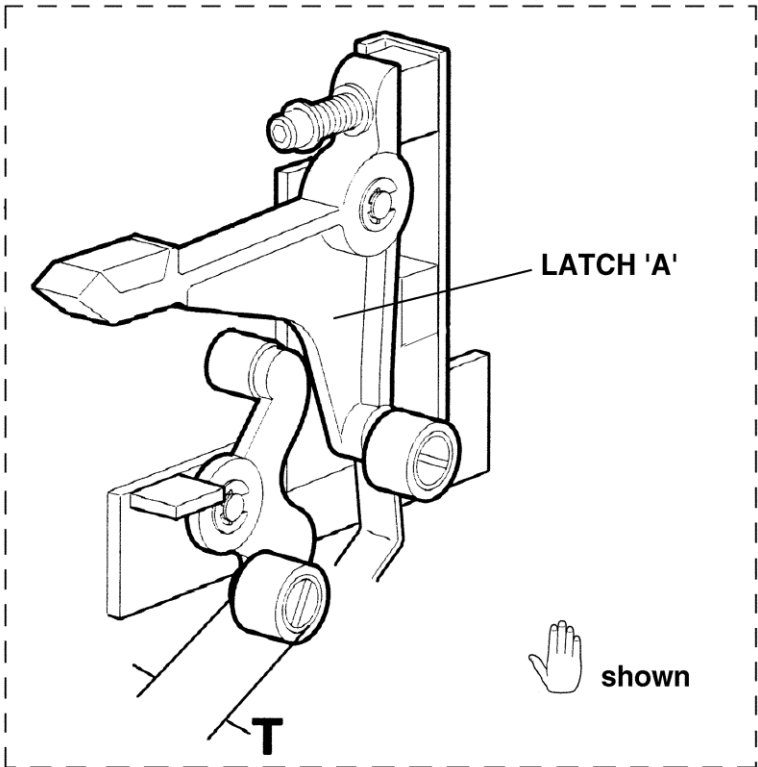
Type C6940AP Interlock Arrangement w/ Reel Closer







	W/O VINTAGE & VINTAGE Y 01	D6940AP	E6940AP		
REF. No.	PART No.			HAND	DESCRIPTION
1	4514A19 C6940AP2	D6940AP2	E6940AP2		Assembly, Interlock (lock, switch, and reel closer) and Mounting Hardware, Single-Slide and Two-Speed Doors
	4514A22 C6940AP3	D6940AP3	E6940AP3		
	4514A24 C6940AP4	D6940AP4	E6940AP1		Assembly, Interlock (lock, switch, and reel closer) and Mounting Hardware, Center-Opening Doors
	C6940AP4	D6940AP4	E6940AP4		
	C6940AP5	D6940AP5	E6940AP5		Assembly (w/ short pins & rollers), Interlock (lock, switch, and reel closer) and Mounting Hardware, Center-Opening Doors
	C6940AP8	D6940AP8	E6940AP8		
	C6940AP6	D6940AP6	E6940AP6		Assembly (w/ short pins & rollers), Interlock (lock, switch, and reel closer) and Mounting Hardware, Single-Slide and Two-Speed Doors
	C6940AP7	D6940AP7	E6940AP7		
2	6940BG1	A6940BG1	B6940BG1		Interlock, Latch and Switch Box w/ Mounting Hardware
	6940BG2	A6940BG2	B6940BG2		
	N/A		B6940BG3		Interlock (w/ short pins & rollers), Latch and Switch Box w/ Mounting Hardware
			B6940BG4		
3	130J11			---	Lockwasher, Internal/External
4	72DJ2			---	Nut, Grip 1/2-13









Type B6940C Door Lock

27-C6940AP



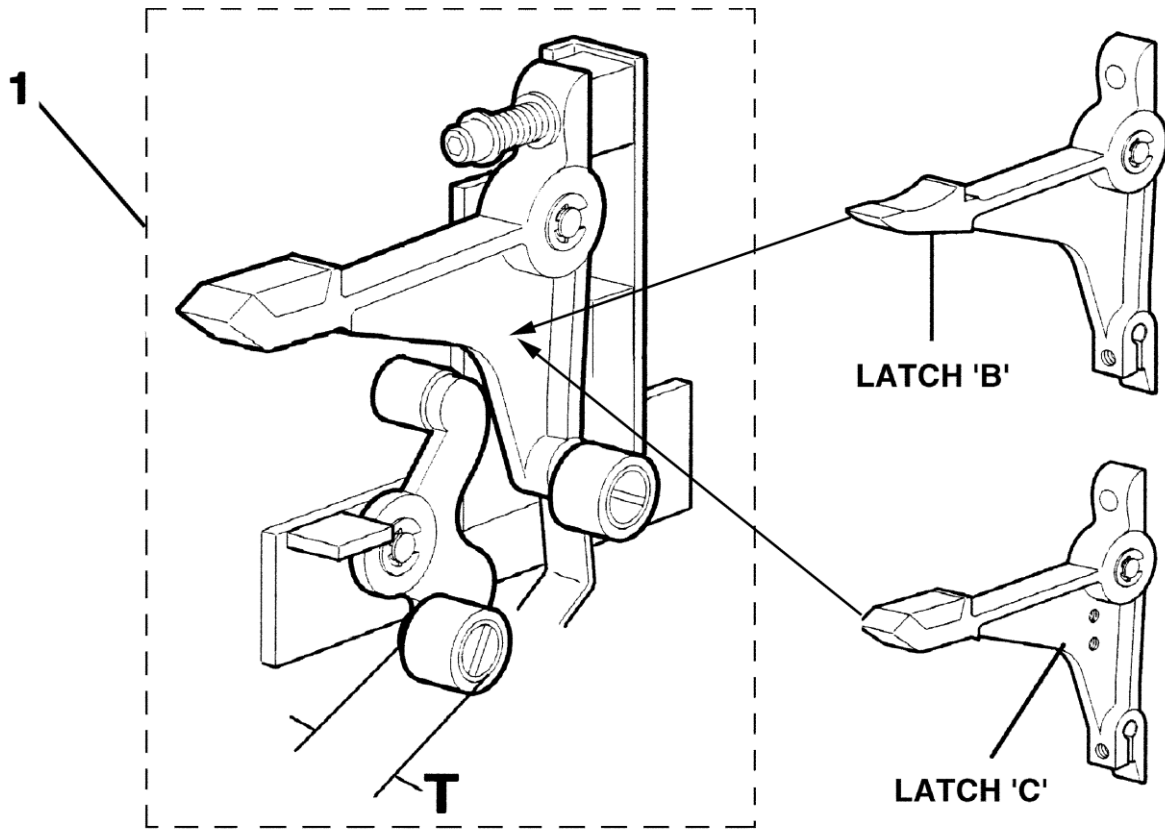
Door/Hanger	T (in.)
7060 Type Hangers 	1-9/32
7060 Type Hangers 	1-9/32
Present Day Interlocks 	1-5/32
Present Day Interlocks 	1-5/32

**W/O VINTAGE &
VINTAGE Y 01
D6940AP
E6940AP**

REF. No.	PART No.	HAND	DESCRIPTION			
1	4514A17		Assembly, Door Lock (former latch kit) <table border="1" data-bbox="1198 1266 1287 1308"> <tr><td>ORDER</td></tr> <tr><td> </td></tr> <tr><td> </td></tr> </table> Either: B6940C1 or B6940C3 Latch & Box Kit Ref. 2, p. 4	ORDER		
	ORDER					
	B6940C1		Assembly, Door Lock (includes latch 'A') T = 1-9/32 in.			
	4514A20		Assembly, Door Lock (former latch kit), <table border="1" data-bbox="1198 1434 1287 1476"> <tr><td>ORDER</td></tr> <tr><td> </td></tr> <tr><td> </td></tr> </table> Either: B6940C2 or B6940C4 or Latch & Box Kit Ref. 2, p. 4	ORDER		
	ORDER					
B6940C2		Assembly, Door Lock (includes latch 'A') T = 1-9/32 in.				
B6940C3		Assembly, Door Lock (includes latch 'A') T = 1-5/32 in.				
B6940C4						
B6940C5		Assembly (w/ short pins & rollers), Door Lock (includes latch 'A') T = 29/32 in.				
B6940C6						

(Continued on next page)

Type B6940C Door Lock



Door/Hanger		T (in.)
7060 Type Hangers		1-9/32
7060 Type Hangers		1-9/32
Present Day Interlocks		1-5/32
Present Day Interlocks		1-5/32

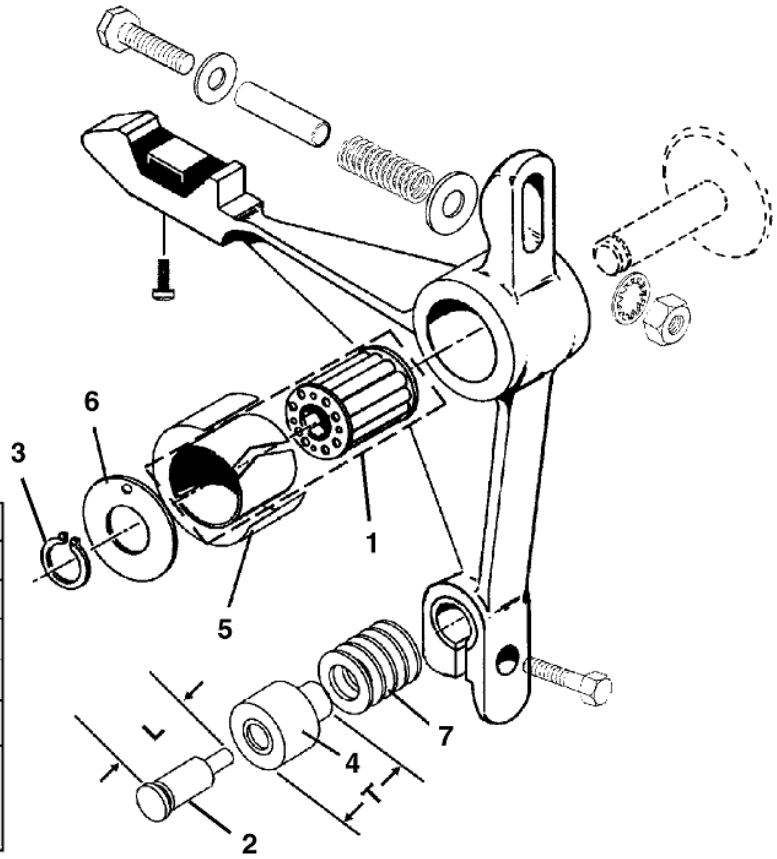


**W/O VINTAGE &
VINTAGE Y 01
D6940AP
E6940AP**

REF. No.	PART No.	HAND	DESCRIPTION
1	1J-B6940C3 8-A6940C3		Assembly, Door Lock, for Dust/Moisture-Proof Switch (includes latch 'B') (no bridging contact)
	1J-B6940C4 8-A6940C4		Assembly, Door Lock, for Dust/Moisture-Proof Switch (includes latch 'B') (no bridging contact)
	2J-B6940C3		Assembly, Door Lock (includes latch 'C'). Used for 96 in. or 106 in. Openings w/Flat Bar Type Locking Device
	2J-B6940C4		Assembly, Door Lock (includes latch 'C'). Used for 96 in. or 106 in. Openings w/Flat Bar Type Locking Device

Latch Assembly

27-C6940AP



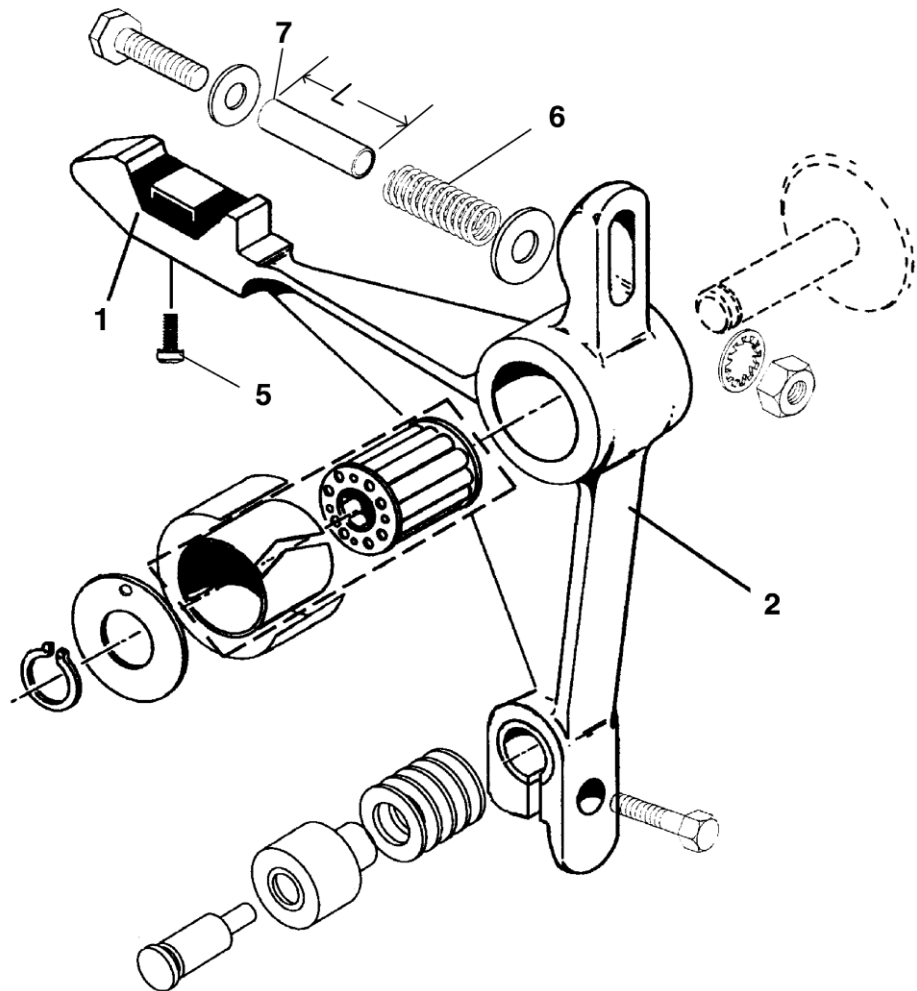
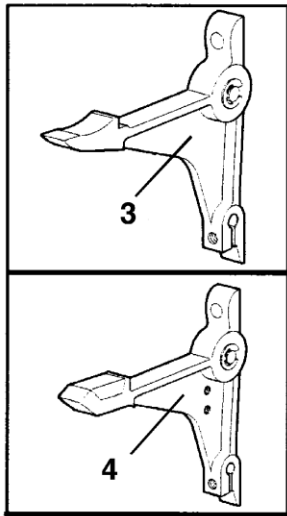
Ref. 5	Part No.	Size
A	AAA255GP1	0.003
B	AAA255GP2	0.004
C	AAA255GP3	0.005
D	AAA255GP4	0.002
E	AAA255GP5	0.001

For Shim Information TIP 23.6-3, Shim Kit to Prevent Excess Movement in 6940 Door Locks

**W/O VINTAGE &
VINTAGE Y 01
D6940AP
E6940AP**

REF. No.	PART No.	DESCRIPTION
1	209E1	Bearing, Solid Roller w/Outer Race (does not include shim, ref. 5)
2	77A2	Pin, 2.22 in. L
	77A3	Pin, 2.34 in. L
	1-77A1	Pin, Roller (special) 1.97 in. L
	77A4	Pin, 2.59 in. L
3	172DE9	Ring, Retaining (Truarc) 0.97 in. \varnothing
4	456C2	Roller, 1.16 in. T
	456C3	Roller, 1.28 in. T
	1-456C1	Roller (special) 0.91 in. T
	456C4	Roller, 1.53 in. T
5	Table Above	Shim, Brass, 3.55 in. L, Type AAA255GP (non-standard, use for rework only)
6	CAA127B1	Washer, Special Steel, 0.64 in. \varnothing , 1.5 in. \varnothing w/Hole
	127VB83	
7	129DH5	Washer, Special Nylon, 0.40 in. \varnothing , 1.0 in. \varnothing

(Continued on next page)

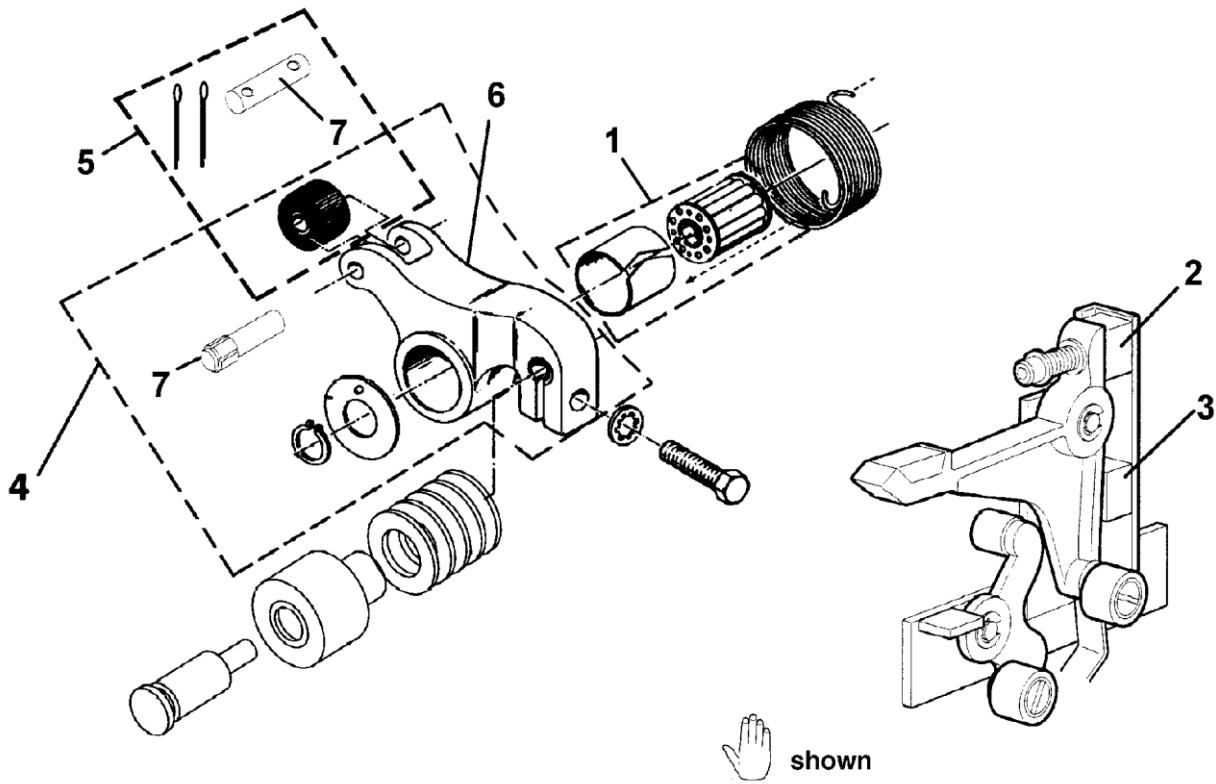
27-C6940AP**Latch Assembly**

**W/O VINTAGE &
VINTAGE Y 01
D6940AP
E6940AP**






REF. No.	PART No.	DESCRIPTION
1	306FM1	Base, Contact
2	331AP1	Latch
3	4-331AP1	Latch, Special, w/No Bridging Contact (for dust/moisture-proof interlock switch)
4	6-331AP1	Latch, Special (for flat bar type unlocking device)
5	VP-855860	Screw, Sems, 8-32
6	90HB9	Spring, Compression
7	135AA4	Tube, 0.313 in. \varnothing , 1.25 in. L

Lever Assembly

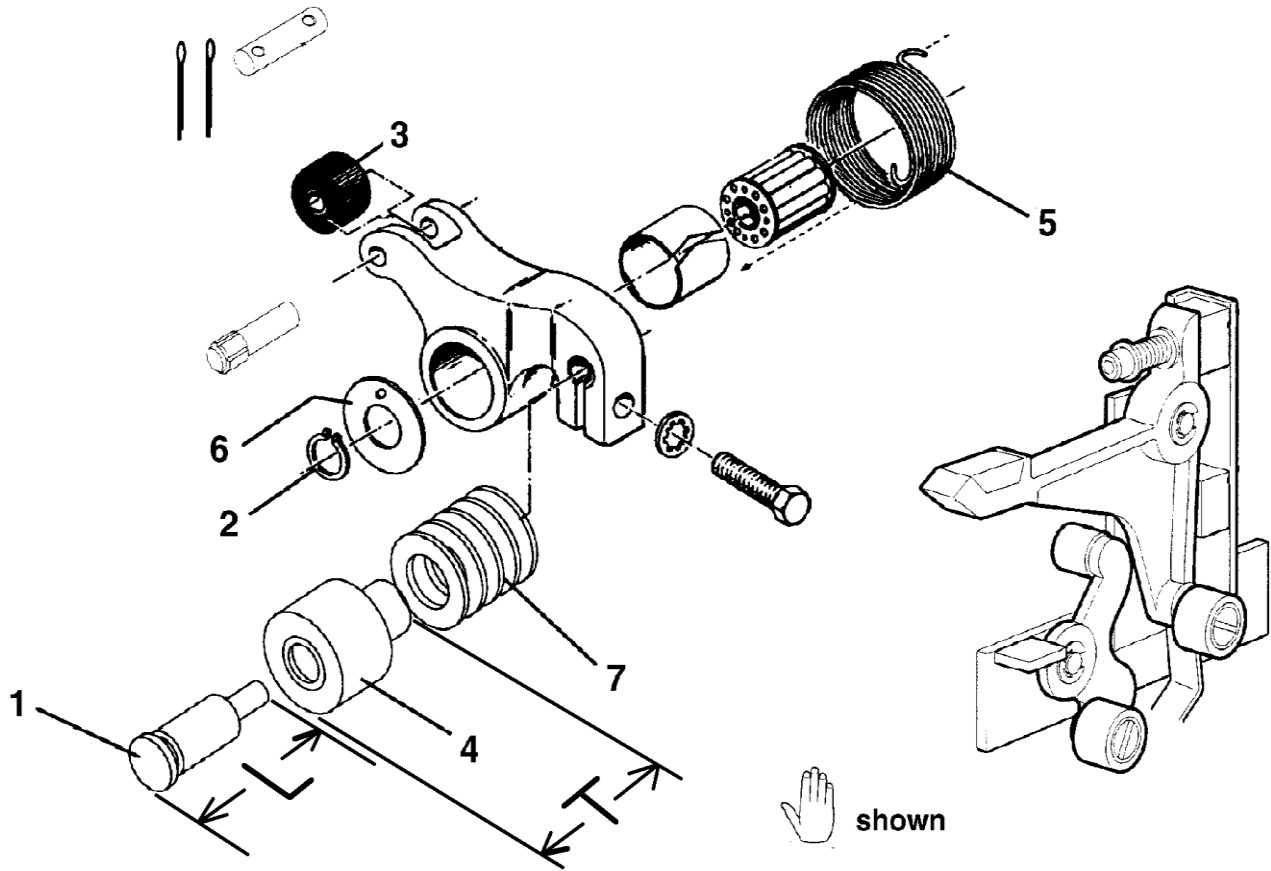
27-C6940AP



**W/O VINTAGE &
VINTAGE Y 01
D6940AP
E6940AP**

REF. No.	PART No.	DESCRIPTION				
1	209E1	Bearing, Needle, w/Outer Race				
2	320AY1	Bumper				
3	320P4	Bumper				
4	2700ABS1	Kit, Bell Crank (for  Interlock Assembly)				
	2700ABS2	Kit, Bell Crank (for  Interlock Assembly)				
5	2700AAY3	Kit, Roller, Bell Crank				
6	307AE1	Lever (for  Interlock Assembly)				
	307AE2	Lever (for  Interlock Assembly)				
7	78C2 78C4	Pin, Drilled for Cotter Pin or <table border="1" data-bbox="941 1732 1015 1774"> <tr> <td>ORDER</td> <td></td> </tr> <tr> <td></td> <td></td> </tr> </table> Kit ( Ref. 5)	ORDER			
	ORDER					
	81BV4	Pin, Knurled				

(Continued on next page)



**W/O VINTAGE &
VINTAGE Y 01
D6940AP
E6940AP**

REF. No.	PART No.	DESCRIPTION
1	77A3	Pin, Roller, 2-11/32 in. L
	1-77A1	Pin, Roller (special), 1.97 in. L
2	172DE9	Ring, Retainer (Truarc) 0.97 in.
3	456BT1	Roller
4	456C2	Roller, 1-5/32 in. T
	456C3	Roller, 1-9/32 in. T (type 7060 hanger applications only)
	1-456C1	Roller (special), 0.91 in. T
5	A92AG1	Spring (for Interlock Assembly)
	A92AG2	Spring (for Interlock Assembly)
6	127VB83	Washer, Special Steel, 41/64 in. \odot , 1.5 in. \oslash
7	129DH5	Washer, Special Nylon, 0.40 in. \odot , 1.0 in. \oslash

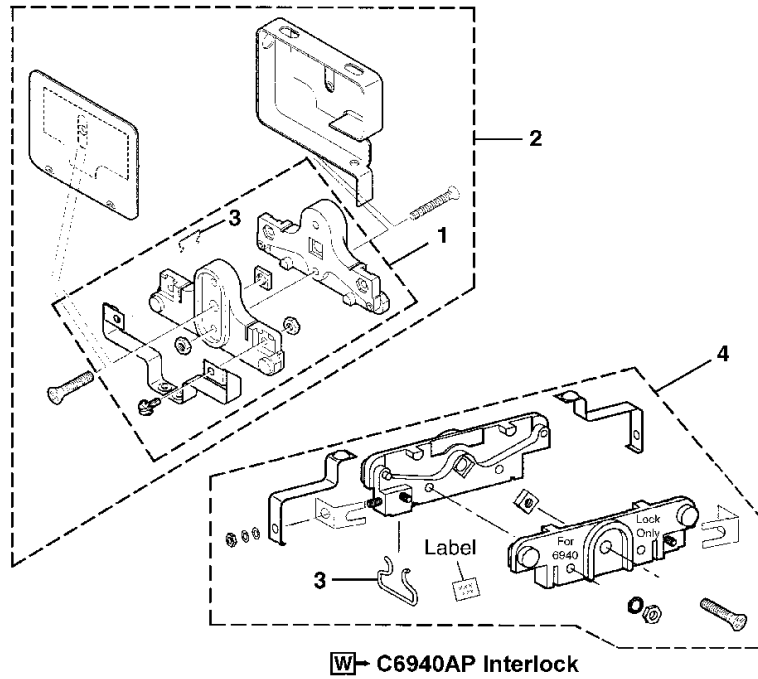
(Continued on next page)

Service Rebuild Kits

27-C6940AP

		W/O VINTAGE & VINTAGE Y 01 D6940AP E6940AP
(Not Shown)	B6940C501	Service Rebuild Kit, Minimum Change (includes 306FM1, (2) 456C2, (2) 209E1, (2) 172DE9, (2) 127VB83, (6) 129DH5, 78C4, 456BT1, 6940AF3, and necessary hardware.
	B6940C502	Service Rebuild Kit, Older Vintage, Maximum Change (includes 306FM1, (2) 456C3, 320P4, 320AY1, 90HB9, 135AA34, (2) 77A3, (2) 209E1, (2) 172DE9, (2) 127VB83, A92AG1, A92AG2, (6) 129DH5, 78C4, 456BT1, and necessary hardware.
	B6940C503	Service Rebuild Kit, Later Common Vintage, Maximum Change (includes 306FM1, (2) 456C2, 320P4, 320AY1, 90HB9, 135AA34, (2) 77A2, (2) 209E1, (2) 172DE9, (2) 127VB83, A92AG1, A92AG2, (6) 129DH5, 78C4, 456BT1, 6940AF3, and all necessary hardware.
	B6940C504	Service Rebuild Kit, Later Short Production (Red Switch Base) Maximum Change (includes 306FM1, (2) 456C2, 320P4, 320AY1, 90HB9, 135AA34, (2) 77A2, (2) 209E1, (2) 172DE9, (2) 127VB83, A92AG1, A92AG2, (6) 129DH5, 78C4, 456BT1, AYY10202E2, and all necessary hardware.
	B6940C505	Service Rebuild Kit, Low Profile Rollers, Minimum Change (includes 306FM1, (2) 1-456C1, (2) 209E1, (2) 172DE9, (2) 127VB83, (6) 129DH5, 78C4, 456BT1, 6940AF3, and all necessary hardware.

**Switch Assembly
Type 6940AG and A6940AG**



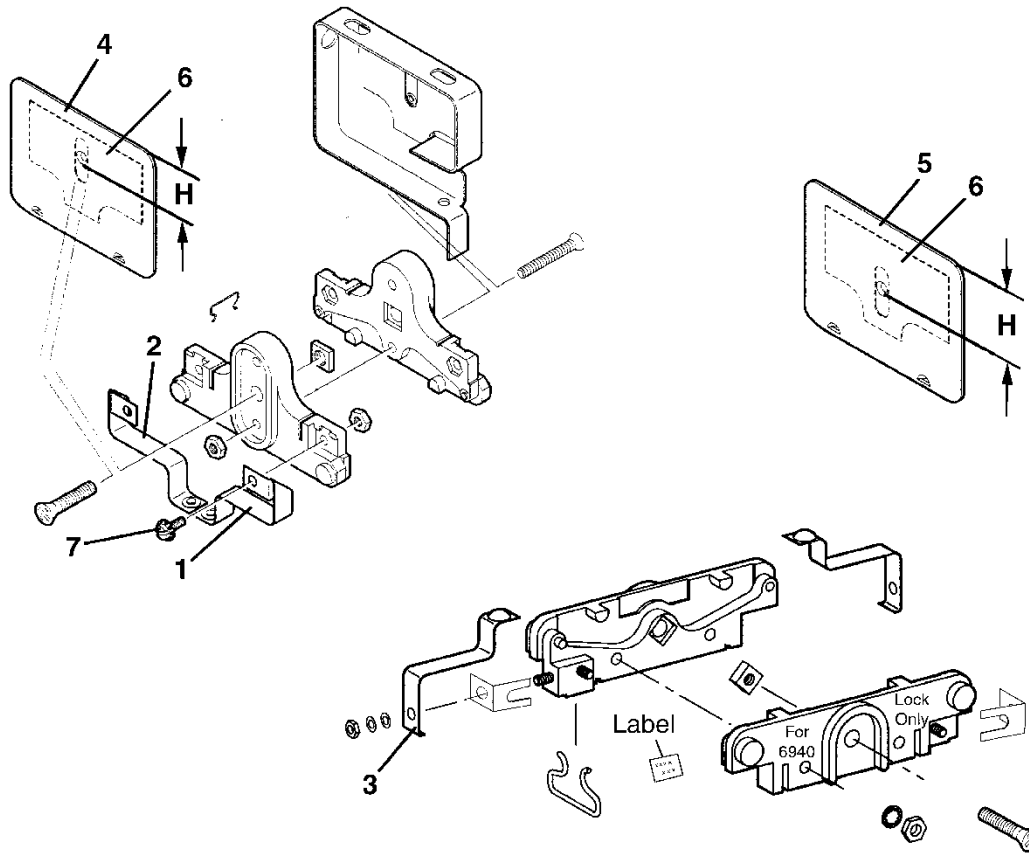
	W/O VINTAGE & VINTAGE Y 01	D6940AP	E6940AP				
REF. No.	PART No.			DESCRIPTION			
1	6940AF4	6940AF2	6940AF3	Assembly, Contact, Vertical Hole Mounting in Box (Pre-1993 & Post-1996 Production)			
2	4514A18	---	---	Assembly, Switch (Former Switch Box Kit) <table border="1" style="float: right; font-size: small;"> <tr><td>ORDER</td></tr> <tr><td> </td></tr> <tr><td> </td></tr> </table> Either: 6940AG1 or Ref. 2 on p. 4	ORDER		
	ORDER						
6940AG4	6940AG3	6940AG5	Assembly, Switch, w/Box and Cover				
4514A24	---	---	Assembly, Switch (Former Switch Box Kit). <table border="1" style="float: right; font-size: small;"> <tr><td>ORDER</td></tr> <tr><td> </td></tr> <tr><td> </td></tr> </table> Either: 6940AG2 or Ref. 2 on p. 4	ORDER			
ORDER							
6940AG2	6940AG4	6940AG6	Assembly, Switch, w/Box & Cover				
3	339FH1			Clip			
4	AYY10202E1	---	---	Kit, Contact, Horizontal Hole Mounting, w/Red Colored Base, w/Label, 1993–1996 Production, TIP 23.6-9, Interlock Contact Assembly Changes & Incorrect Wiring Placement (Cracking Red Bases)	OVL Locks Only		
	AYY10202E2	---	---		Type 6940 Locks		

(Continued on next page)

Switch Assembly

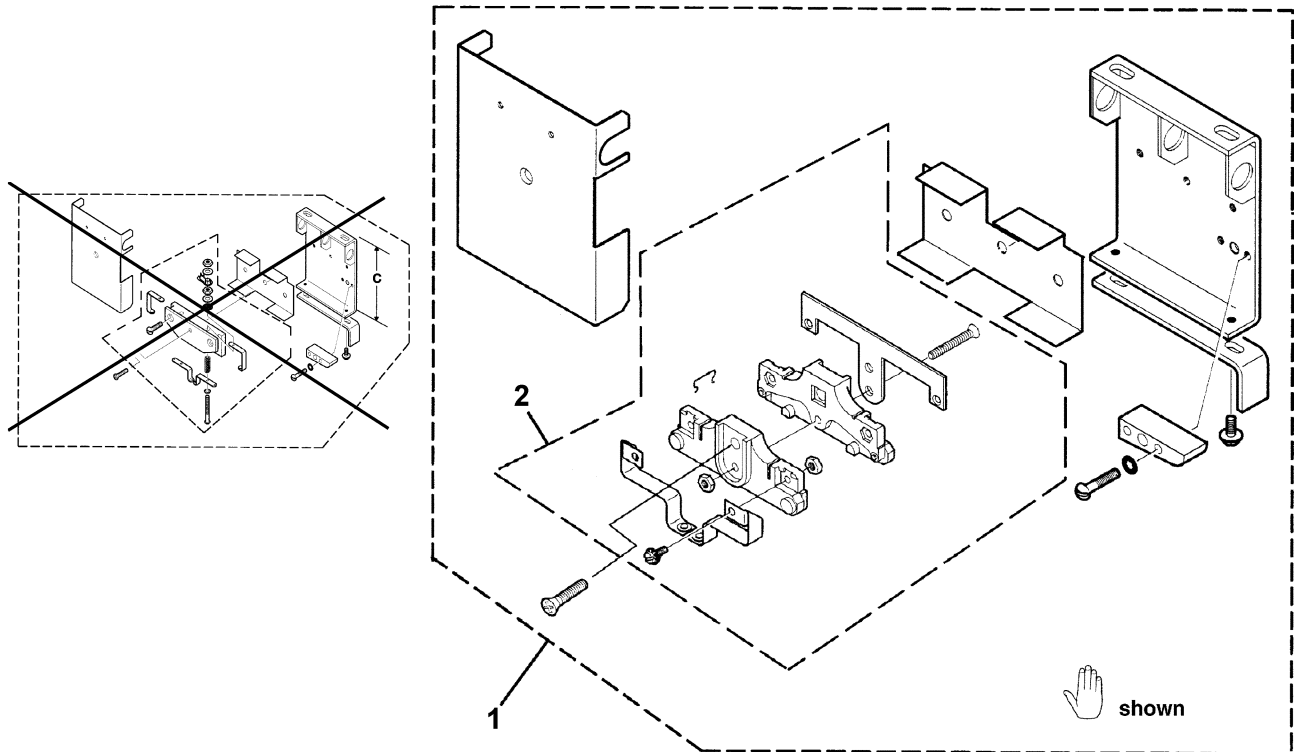
27-C6940AP

Type 6940AG and A6940AG



W → C6940AP Interlock

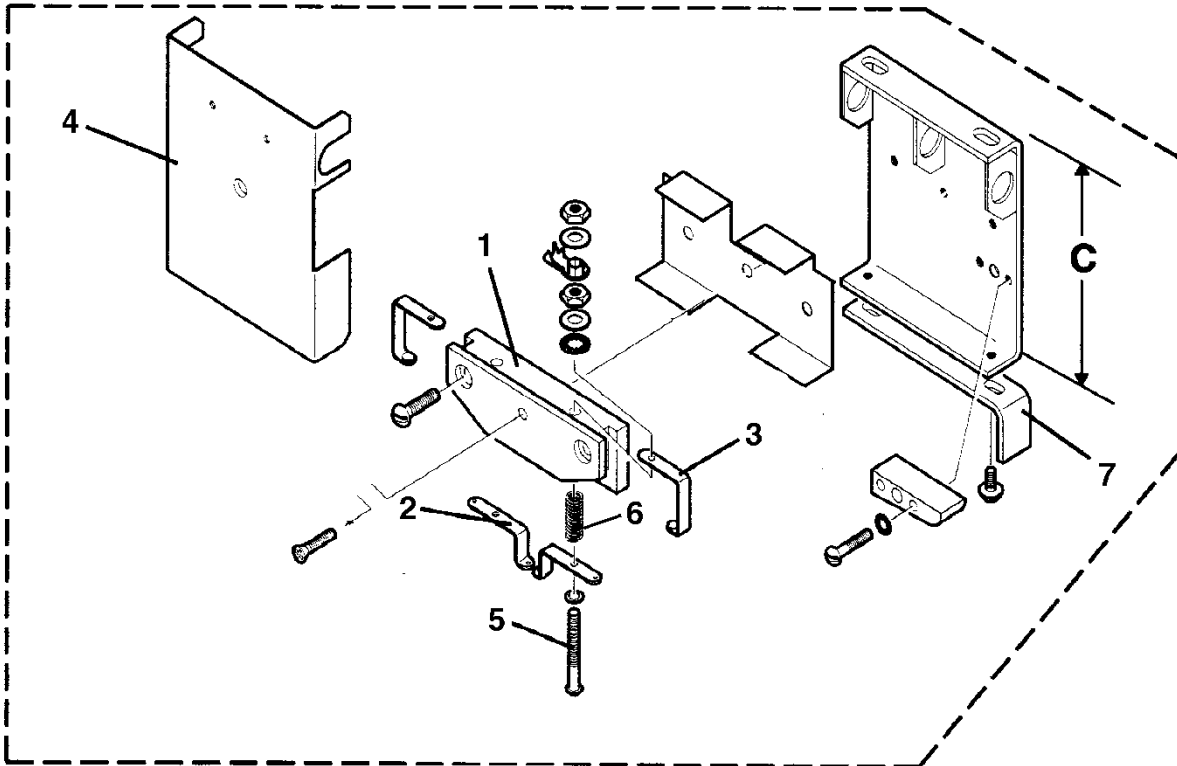
REF. No.	PART No.			DESCRIPTION
	W/O VINTAGE & VINTAGE Y 01	D6940AP	E6940AP	
1	452BE2	452BE5	152BE9	Contact
2	452BE4	452BE6	152BE10	Contact
3	AYYJO152J2	---	---	Contact, TIP 23.6-9, Interlock Contact Assembly Changes & Incorrect Wiring Placement (Cracking Red Bases)
	AYYJO152J4	---	---	
4	346AFL2			Cover (includes lining) H = 1-3/4 in. W → Ref. 1 p. 12 Applications
5	A346AFL2	---	---	Cover (includes lining) H = 2-7/16 in. W → Ref. 4 p. 12 Applications
6	429BE1			Lining, Insulator (self-stick)
7	124DB2			Screw, 8-32 Pan Head w/Captive Washer



**W/O VINTAGE &
VINTAGE Y 01
D6940AP
E6940AP**

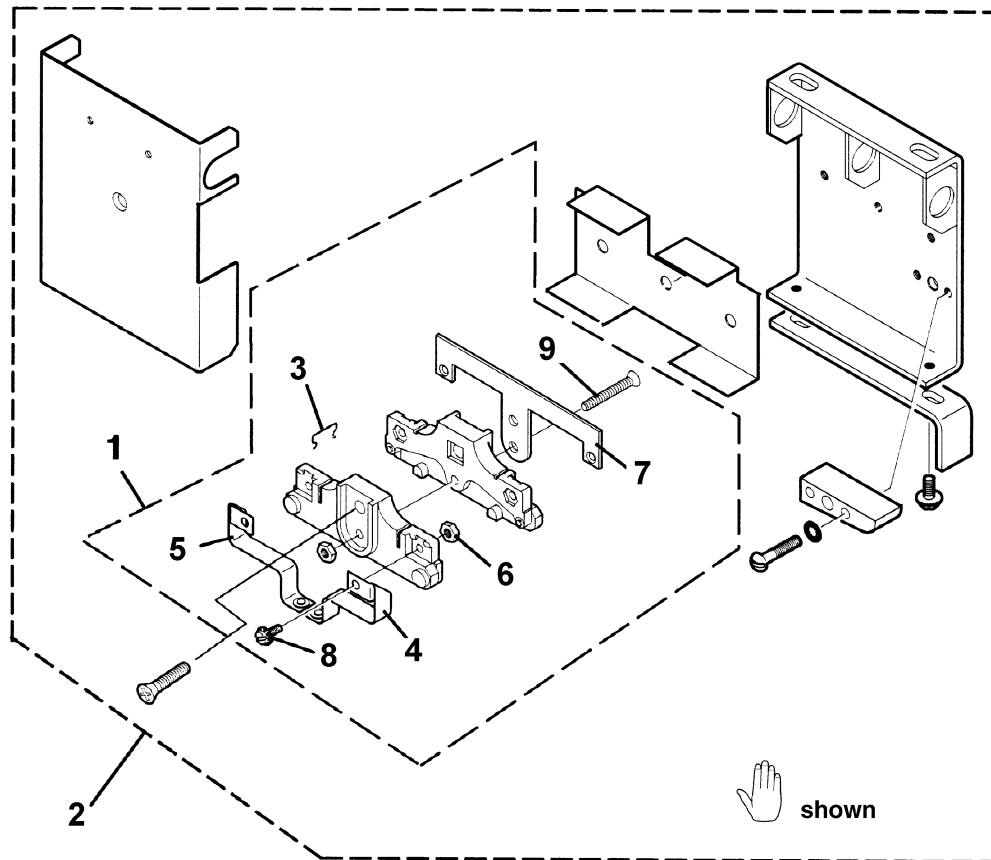
REF. No.	PART No.	DESCRIPTION
1	6940B3 A6940B1	Assembly, Switch, C = 8.94
	6940B4 A6940B2	Assembly, Switch, C = 8.94
	6940B5 A6940B3	Assembly, Switch, C = 7.38
	6940B6 A6940B4	Assembly, Switch, C = 7.38
2	2700CCG4	Assembly, Contact Kit
	AAA6940BP1	Assembly, Contact, Retrofit p. 16, TIP 23.6-4, Interlock Contact for 6940B (AAA6940BP1 Substitutes 2700CCG1)

(Continued on next page)







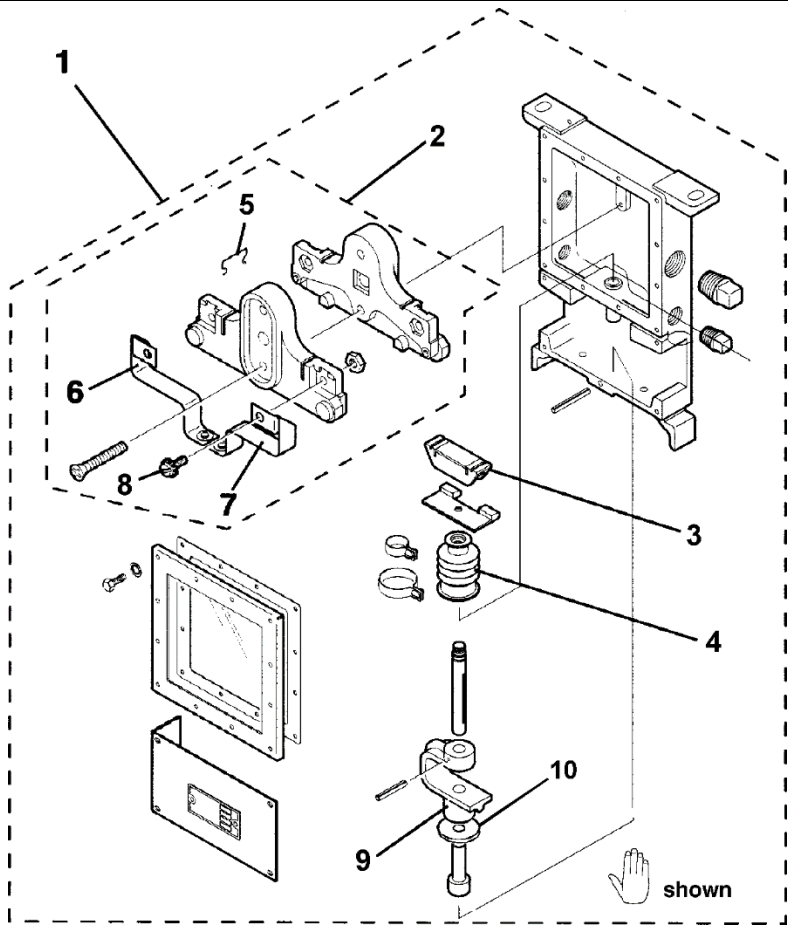
**W/O VINTAGE &
VINTAGE Y 01
D6940AP
E6940AP**

REF. No.	PART No.	DESCRIPTION			
1	306FX1	Base, Contact <table border="1" style="display: inline-table; vertical-align: middle;"><tr><td>ORDER</td></tr><tr><td> </td></tr><tr><td> </td></tr></table> Ref. 2 on p. 14	ORDER		
ORDER					
2	452AV2	Contact, Movable			
3	452AW2	Contact, Stationary			
4	285A1	Cover, 8.94 in.			
	285A2	Cover, 7.38 in.			
5	124CD1	Screw, Special, Brass, # 8-32, 2.0 in. L			
6	90VA8	Spring			
7	477CP1	Stop			



**W/O VINTAGE &
VINTAGE Y 01
D6940AP
E6940AP**

REF. No.	PART No.	DESCRIPTION
1	AAA6940BP1	Assembly, Contact  TIP 23.6-4, Interlock Contact for 6940B (AAA6940BP1 Substitutes 2700CCG1)
2	---	Assembly, Switch, Type A6940B,  Ref. 1, p. 14 for Details
3	339FH1	Clip
4	452BE2 452BE5 152BE9	Contact 
5	452BE4 452BE6 152BE10	Contact 
6	---	Nut, Hex, 8-32 (obtain locally)
7	ABA386KVL1	Plate
8	124DB2	Screw, 8-32 Pan Head w/Captive Washer
9	---	Screw, 1 x 8-32 Flat Head (obtain locally)

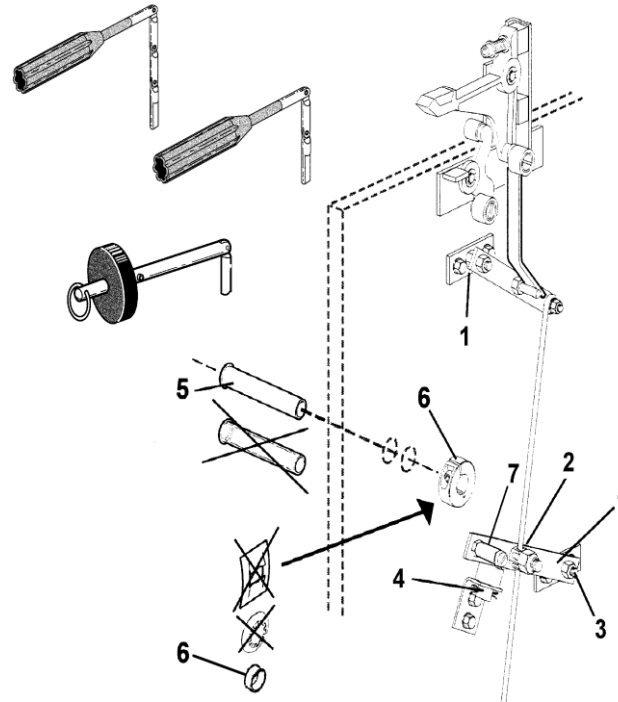


**W/O VINTAGE &
VINTAGE Y 01
D6940AP
E6940AP**

REF. No.	PART No.	DESCRIPTION
1	2-6940AG3	Assembly, Switch, Moisture/Dust-Proof,
	2-6940AG4	Assembly, Switch, Moisture/Dust-Proof,
2	6940AF1 6940AF2 6940AF3	Assembly, Contact
3	306FM1	Base, Contact
4	1-182R2	Bellow, Neoprene Rubber, 1-1/2 in. L, Free
5	339FH1	Clip
6	152BE2 152BE5 152BE9	Contact,
7	152BE4	Contact,
8	124DB2	Screw, 8-32 Pan Head w/Captive Washer
9	1-446Y1	Tripper
10	2-320BE1	Washer, Rubber

27-C6940AP

Type 6940AW Emergency Transmission Device and Key



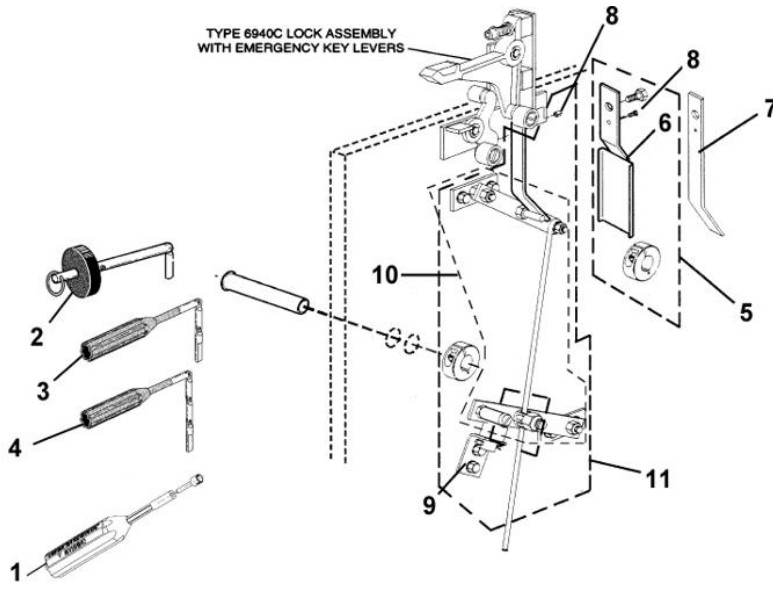
**W/O VINTAGE &
VINTAGE Y 01
D6940AP
E6940AP**

REF. No.	PART No.	DESCRIPTION
1*	212AB6	Bearing, Nylon
2*	212AB5	Bearing, Nylon
3	58AK3	Bolt, Fin Hex, 1/2 x 1-1/2 in., (w/hole for rod)
4	320P4	Bumper, Rubber (for 316CTE2 Stop)
5	321EF1	Bushing, Plastic, 2.76 in. L
	321CV3	Bushing, Stainless Steel, 2.0 in. L
	321CV1	Bushing, Stainless Steel, 2-3/4 in. L
	321CV4	Bushing, Stainless Steel, 4.0 in. L, Special for Extra-Thick Door Applications
	321CV5	Bushing, Brass, 2.0 in. L
	321CV6	Bushing, Brass, 4.0 in. L, Special for Extra-Thick Door Applications
6	72CE9	Nut, Speed 1/2 in.
	472DN12	Ring, Retaining
	321BX3	Bushing, Plastic, 0.375 in. L
	340BJ2	Collar, Clamp, 1.12 in. ⌀, 0.5 in. ⌀
	AAA340CW1	Uni-Clamp, Spring Style 0.5 in. ⌀
7	462HA119	Spacer


* For location only. Part not shown.

Emergency Key and Transmission Device

27-C6940AP



**W/O & Y 01
D6940AP
E6940AP**

REF. No.	PART No.	DESCRIPTION
1	---	Key, Access, Type AAA194BN (for type 6940AP interlock; for MA, MN, and CA),  SPL 27-AAA23400P
2	194AD4	Key, Service, 7.12 in. L, Complete w/ End Rod & Pins, Ring & Bumper (short end link for engaging door vane only)
3	194AD7 AAA194AZ1	Key, Emergency, Molded, Flexible Polyurethane
4	AAA194AZ6	Key, Emergency, Polyurethane, for Extra-Thick Hoistway Door Applications
5	4514A30	Assembly, Key, Emergency
	AAA288ZU2	Kit, Lever w/ (1) 109P2 Thread Form Screw, (1) 8-32 x 3/8 Phillips, Pan Head Screw, (1) Clamp Collar
	A6940H405	Kit, Unlocking Device w/AAA288ZU5 lever, AAA340CW1 spring style Uni-Clamp, 1/4-20 x 5/8 Hex Head Screw ZP, M12 Plain Washer (not shown)
6	288LS4 AAA288ZU1	Lever, 8. In. L (for 84-in. high opening)
7	288RV1	Lever, 8.25 in. L (for 96-in. high opening) (pinned w/ roll pin)
	288RV2	Lever, Pinned w/ Ref. 8 Screw
8	109P2	Screw
9	316CTE2	Stop Assembly w/ Bumper
10	6940AW3	Transmission, Only for Unlocking Device Ref. 11
	AAA6940CA3	Transmission, Only for Unlocking Device Ref. 11
11	4514A28	Unlocking Device (for 96-in. high opening) w/ Mounting Hardware
	6940AW4	Unlocking Device, Complete 88–108 in. opening w/Mounting Hardware
	AAA6940CA4	Unlocking Device, 88–108 in. Entrance Height, w/ Mounting Hardware & 2 in. Stainless Guide-Bushing
	AAA6940CA5	Unlocking Device, 88–108 in. Entrance Height, w/ Mounting Hardware & 2 in. Brass Guide-Bushing
	AAA6940CA6	Unlocking Device, 88–108 in. Entrance Height, w/ Mounting Hardware & 4 in. Stainless Guide-Bushing
	AAA6940CA7	Unlocking Device, 88–108 in. Entrance Height, w/ Mounting Hardware & 4 in. Brass Guide-Bushing
	AAA6940CA9	Unlocking Device, 109–122 in. Entrance Height, w/ Mounting Hardware & 2 in. Stainless Guide-Bushing
	AAA6940CA10	Unlocking Device, 109–122 in. Entrance Height, w/ Mounting Hardware & 2 in. Brass Guide-Bushing