

Interlock Assembly

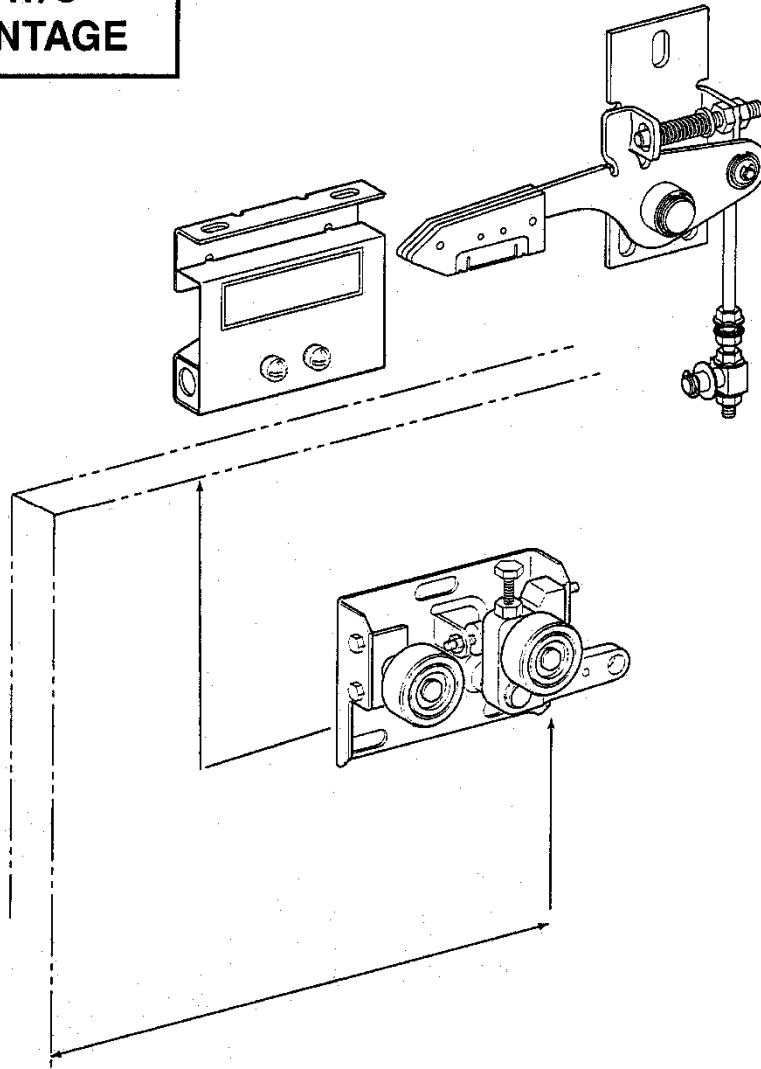
(first used on MRQ system
w/OVL operator)

Spare Parts Leaflet

27-YX10202A

July 4, 2018 / Page 1 of 10

**W/O
VINTAGE**



OTIS

This document does not contain any
technical data subject to EAR or ITAR

SERVICE ENGINEERING
Otis Elevator Company
Bloomfield, Connecticut USA

Unpublished Work—© Otis Elevator Co.; 2018

Leaflet Description

This SPL provides spare parts information for type CYX10202A interlock assembly.

Leaflet Revisions

Date Revised	Subject Matter Expert	Reason for Revision
February 1996	---	New SPL
September 1997	---	Updated parts information
January 15, 2003	Duane Stupienski	Added length variable to rod illustration on p. 4; struck through ref. 3 on p. 5 and added p/n AAA288ABC3 and 4 as the new ref. 3; added reference to TIP 22.8-12 on p.5, ref. 7.
September 1, 2008	Brian Regan	Updated parts information on p. 7
July 4, 2018	Peter Kelley	Added door lock refresh kit information on newly inserted p. 7

Related Drawings

Drawing No.	Title
---	---

Related Documents

Document ID	Title
TIP 22.8-12	OVL YY10202 Door Lock Improving Operation
TIP 23.6-20	Otis OVL Door Lock Refresh Kits

Subject Matter Expert

Name	Department
Pete Kelley	OSC Service Engineering

About Spare Parts Leaflets...

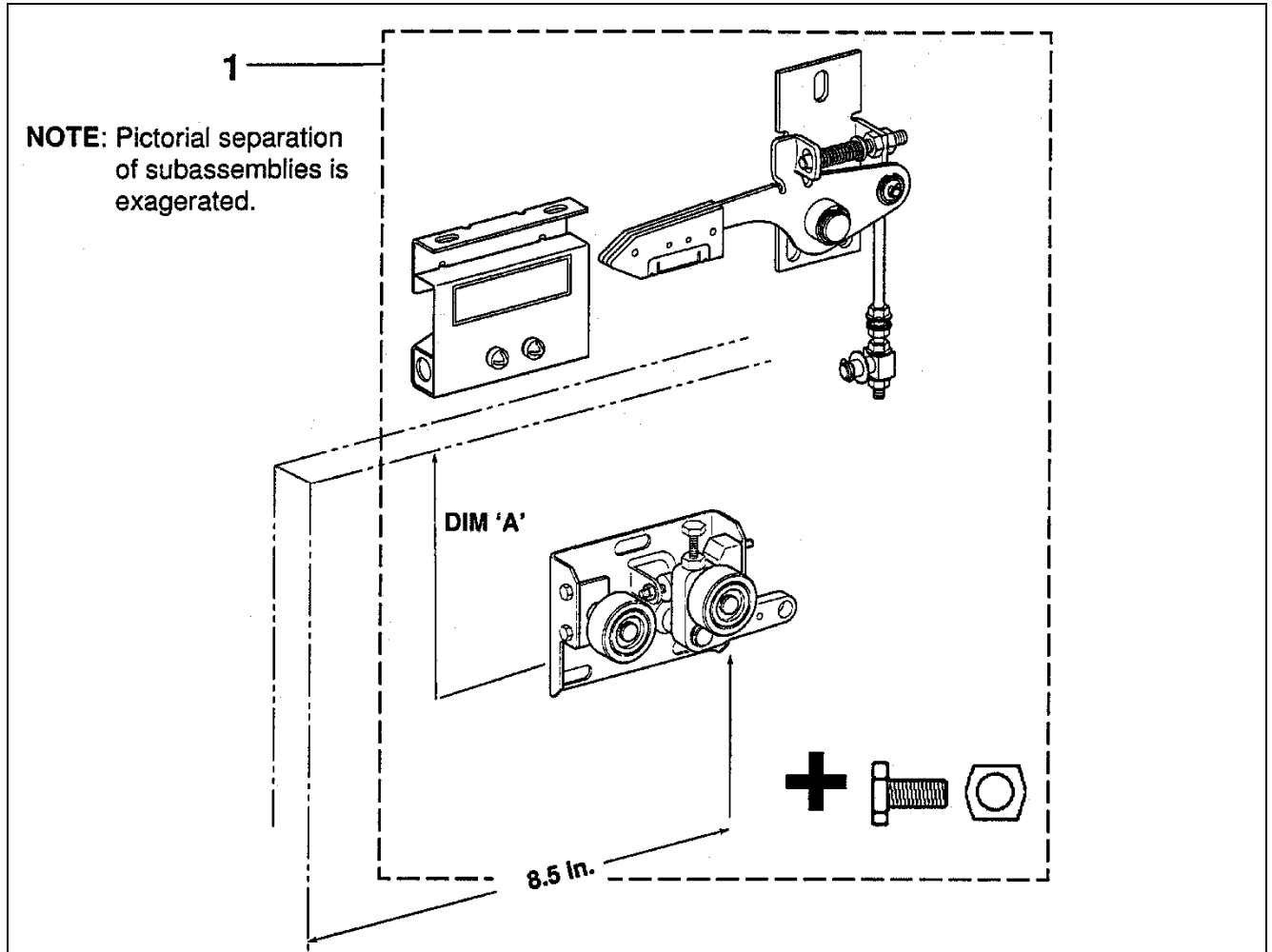
This document lists the lowest replaceable units (LRUs) for the standard version of the product. The LRUs are chosen by a team of Otis associates representing engineering and manufacturing.



While goal of this document is to make parts identification as easy as possible, the document cannot be all-inclusive. Elevator and escalator contracts classified as "special" or "custom" are not addressed here. For such contracts, please refer to specified information, the contract folder, TIPs, Field Education Articles, Construction Letters, etc. for further information.

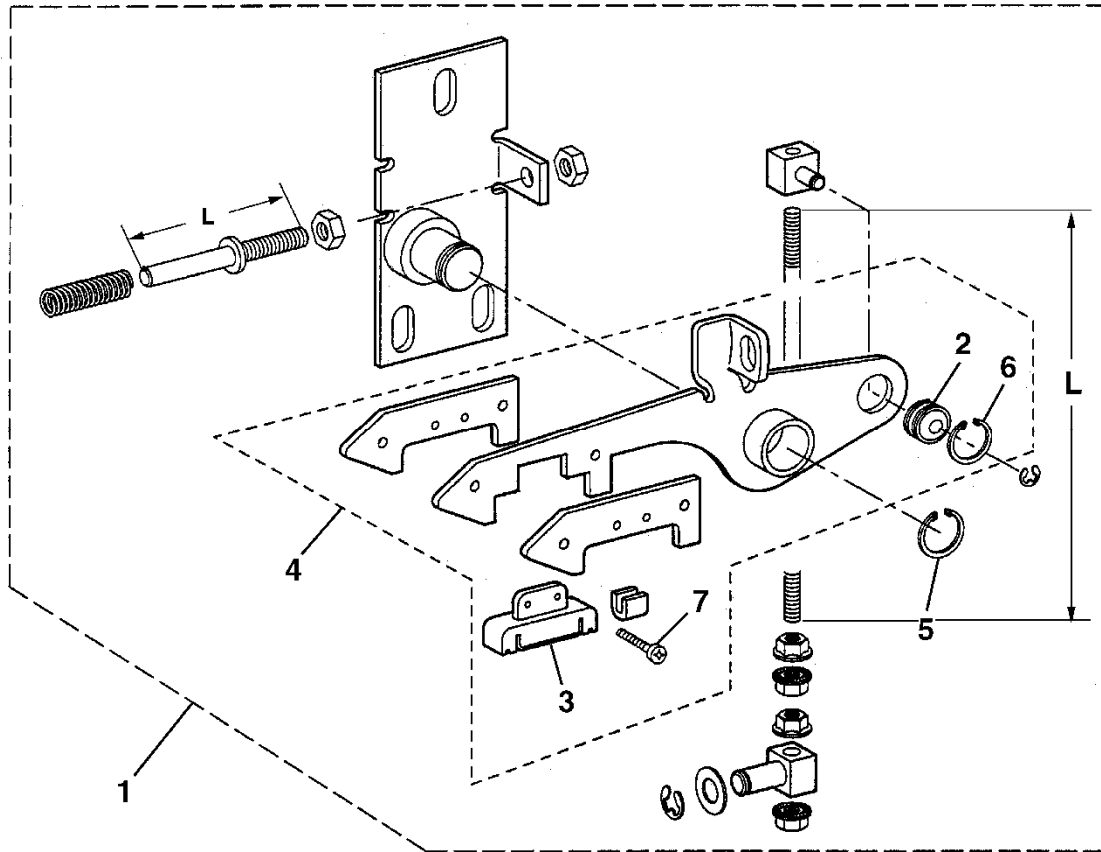
If you have any suggestions about this document, please contact the subject matter expert listed on this page.

OVL Interlock Assembly

27-YX10202A



REF. No.	W/O VINTAGE	PART No.	DESCRIPTION	DOOR HAND	DOOR TYPE	CAB HEIGHT	ENTRANCE HEIGHT	DIM 'A'
1		CYX10202A1	Assembly, Interlock, Complete w/Lock, Lever, and Switch Subassemblies, and All Mounting Hardware		C/O, S/S, 2/S	8' 0"	7' 0"	29"
		9' 7"				8' 0"	22"	
		10' 0"				8' 0"	17"	
		9' 7"				7' 0"	10"	
		C/YX10202A3			S/S, 2/S	8' 0"	7' 0"	29"
						9' 7"	8' 0"	22"
						10' 0"	8' 0"	17"
						9' 7"	7' 0"	10"
C/YX10202A4					10' 0"	7' 0"	5"	
					10' 0"	7' 0"	5"	

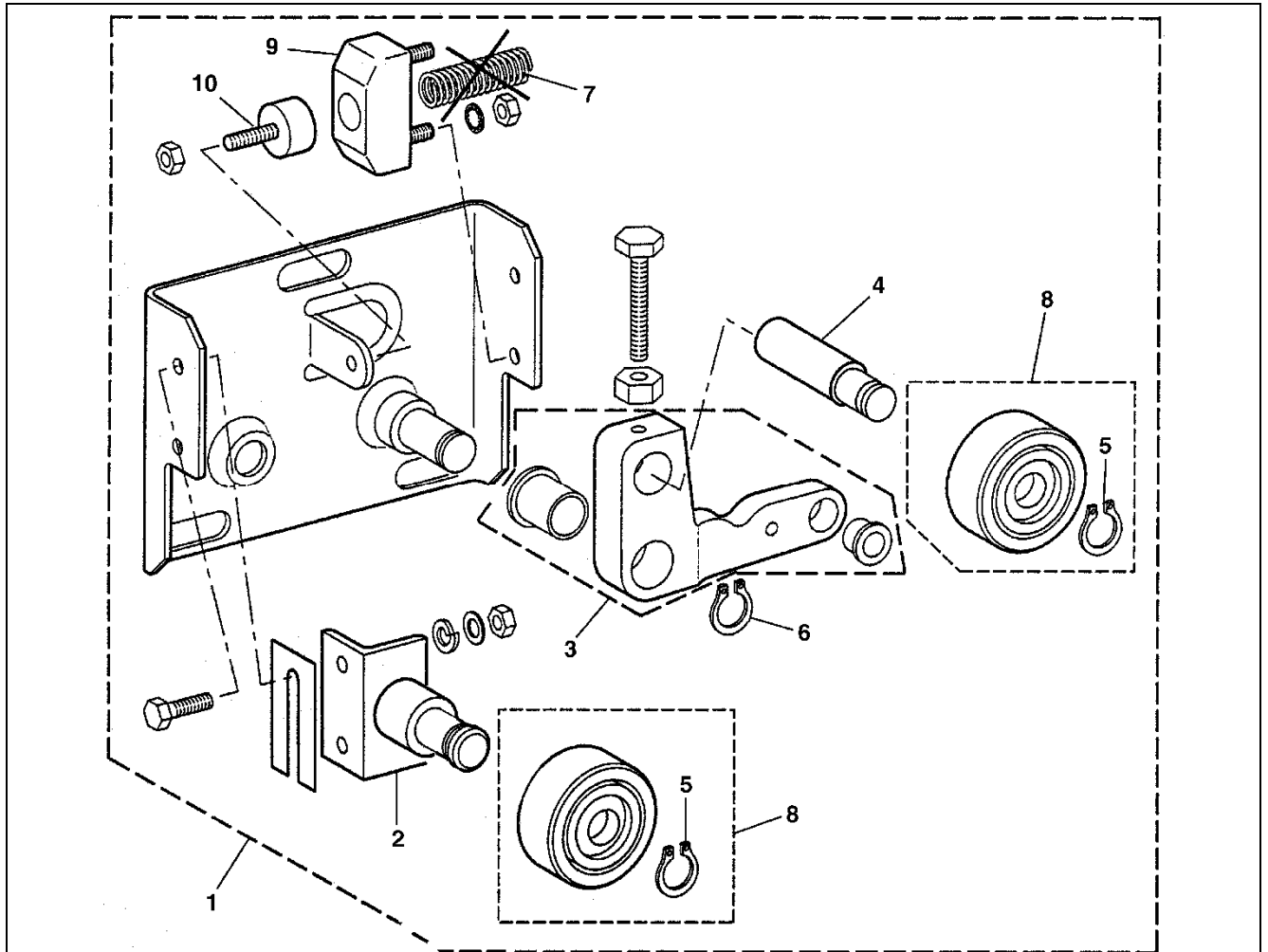







NOTE: For riveted design shorting bar, replace entire latch arm using p/n AYYJO331R1 (for right hand, as shown), p/n AYYJO331R2 (for left hand, opposite).

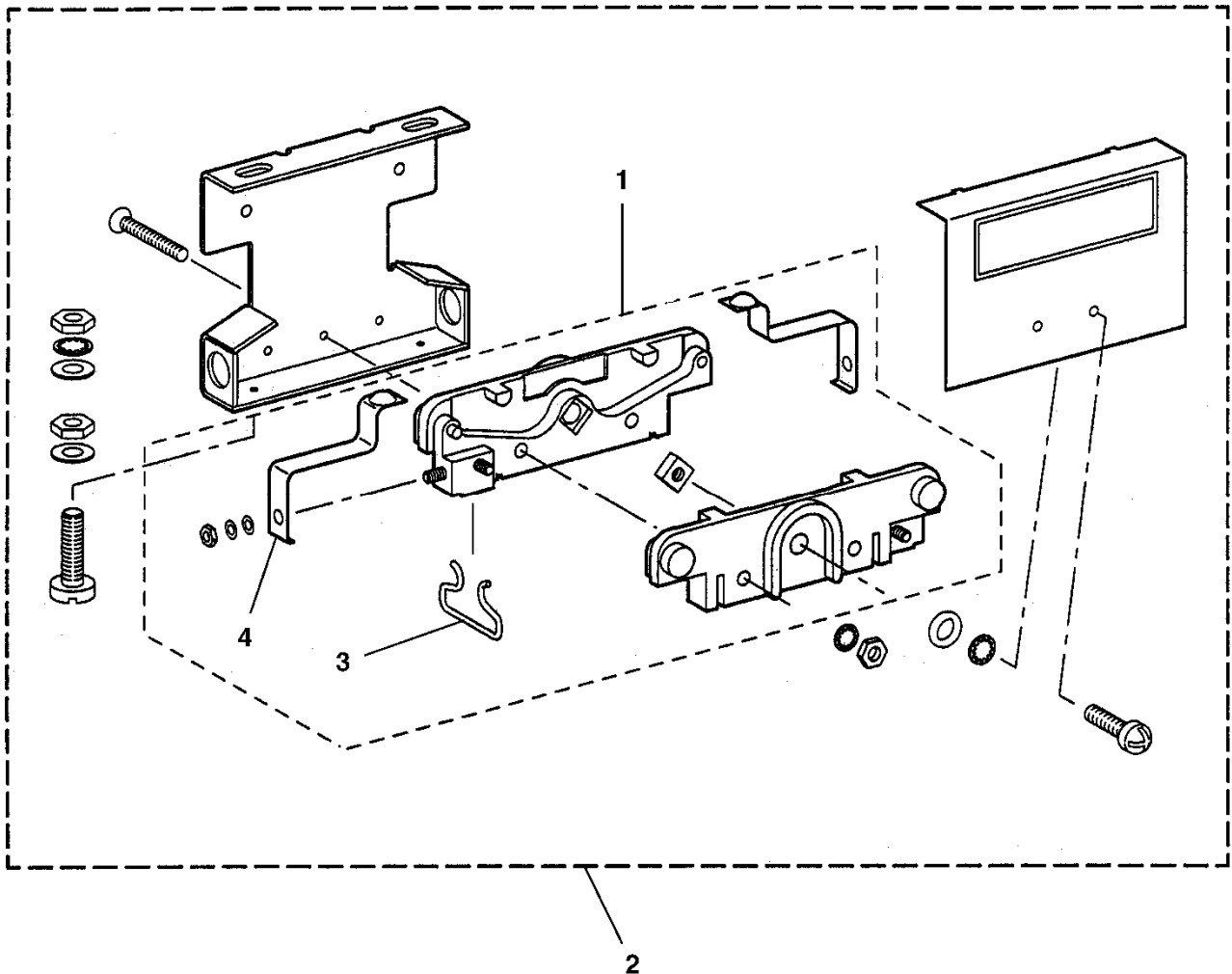
W/O VINTAGE		
REF. No.	PART No.	DESCRIPTION
1	CYY10202C1	Assembly, Door Lock Latch, , Rod L ≤ 935 mm
	CYY10202C2	Assembly, Door Lock Latch, , Rod L ≤ 935 mm
	CYY10202C3	Assembly, Door Lock Latch, , Rod L ≤ 630 mm
	CYY10202C4	Assembly, Door Lock Latch, , Rod L ≤ 630 mm
2	YYJO321DH1	Bushing, Spherical
3	YXJO306CL2	Contact Base
4	AYYJO331R1	Latch Assembly (shown), Note
	AYYJO331R2	Latch Assembly (opposite), Note
5	172PM7	Ring, Retaining, Internal, \varnothing 13,8 mm
6	172PM8	Ring, Retaining, Internal, \varnothing 14,7 mm
7	124CY2	Screw, Thread-Forming, M3, 12,0 mm L, Note



Drive Lever Assembly

27-YX10202A



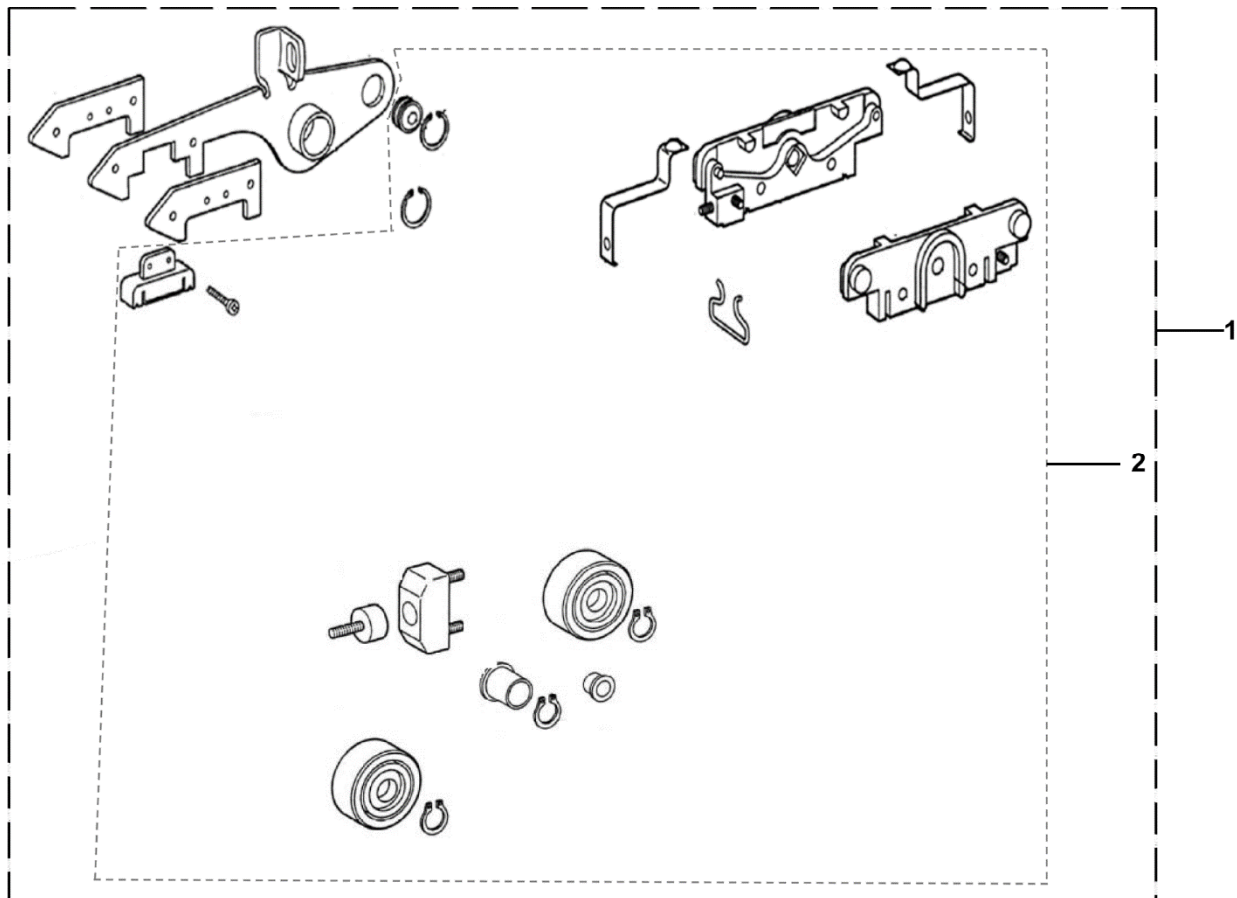
REF. No.	W/O VINTAGE PART No.	DESCRIPTION
1	AYY10202B1	Assembly, Drive Lever, 
	AYY10202B2	Assembly, Drive Lever, 
2	YYJO316BMB2	Bracket, w/Pin
3	YYJO288FY2 AAA288ABC3	Lever, Drive, 
	YYJO288FY3 AAA288ABC4	Lever, Drive, 
4	YYJO77CE1	Pin, 55,0 mm L
5	172PM6	Ring, Retaining, External, 19,0 mm
6	172PM7	Ring, retaining, External, 22,6 mm
7	JO90BA2	Spring (Do not use or replace, use only ref. 9)  TIP 22.8-12, OVL YY10202 Door Lock Improving Operation
8	YYJO456BN2	Roller w/Ring & Bearing
9	YYJO320AR2	Stopper, Rubber
10	YYJO320AS2	Stop, Rubber, 34,0 mm L





REF. No.	W/O VINTAGE PART No.	DESCRIPTION
1	AYY10202E1	Assembly, Contact, w/Red Colored Base
2	AYY10202D1	Assembly, Switch 
	AYY10202D2	Assembly, Switch 
3	339FH1	Clip
4	AYYJO152J2	Contact

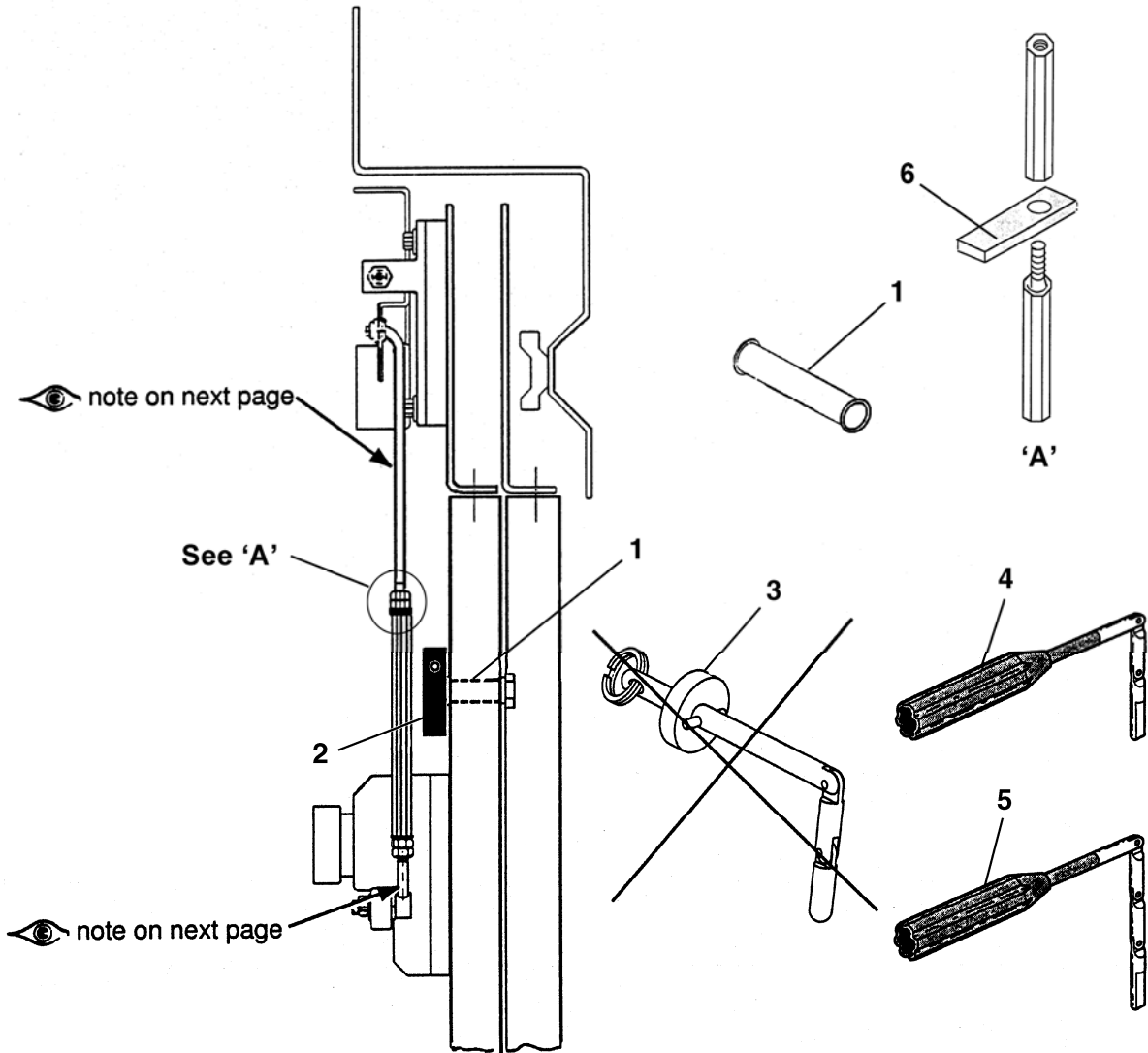
Service Refresh Kits

27-YX10202A



REF. No.	PART No.	DESCRIPTION
	W/O VINTAGE	
1	DYX10202A403	Kit, Service Refresh, Riveted Shorting Bar  (Shown)
	DYX10202A404	Kit, Service Refresh, Riveted Shorting Bar  (Not Shown)
2	DYX10202A405	Kit, Service Refresh, Non-Riveted Shorting Bar

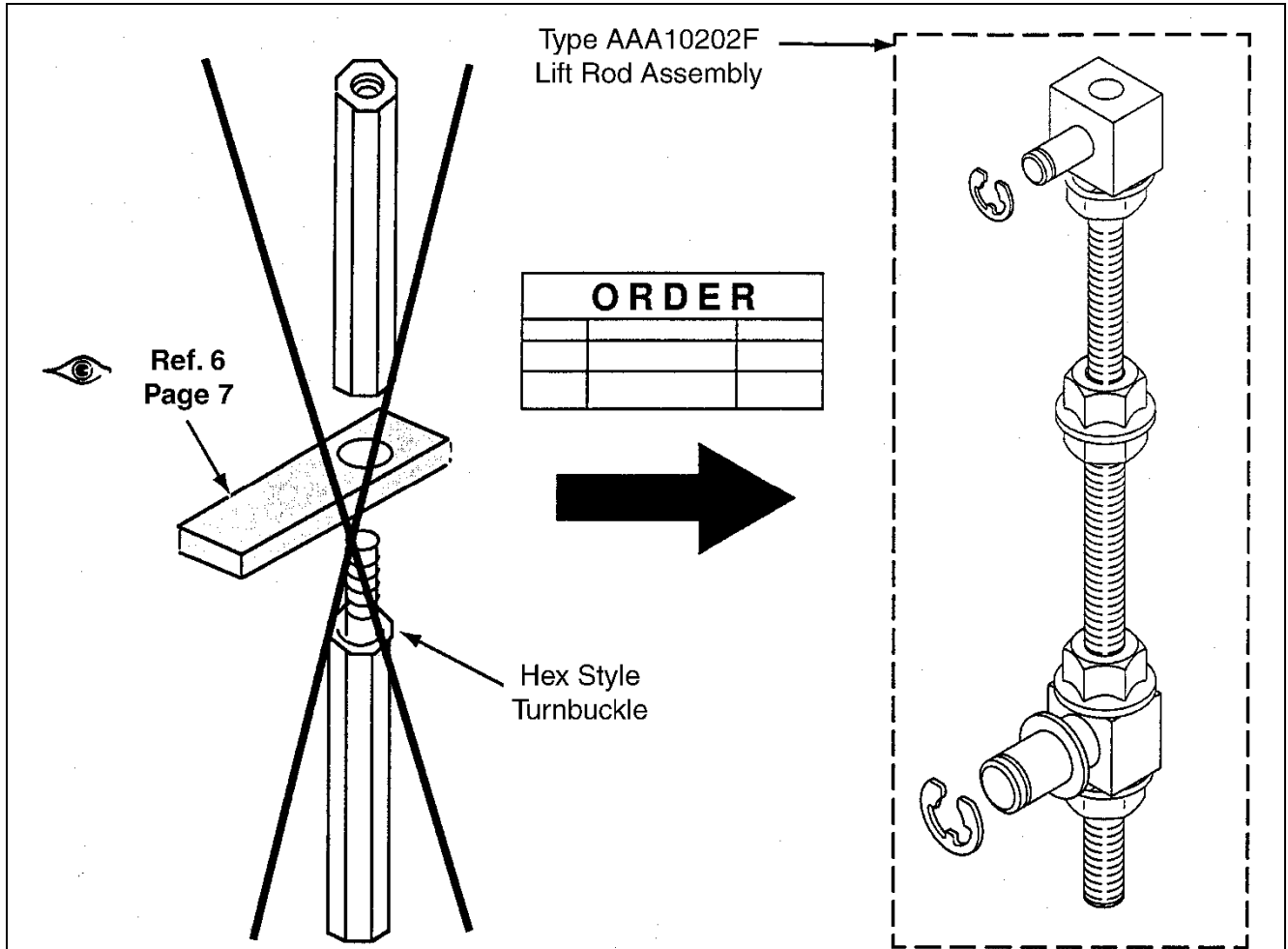
NOTE: Service refresh kits for locks with riveted shorting bars will include an entire latch arm assembly p/n AYYJO331R. Service refresh kits for locks with non-riveted shorting bars will include all crucial components, excluding the latch arm.





W/O VINTAGE		
REF. No.	PART No.	DESCRIPTION
1	321CV1	Bushing, Stainless Steel, 2-3/4 in. L
	321CV2	Bushing, Stainless Steel, 1-17/32 in. L
	321CV3	Bushing, Stainless Steel, 2.0 in. L
	321CV4	Bushing, Stainless Steel, 4.0 in. L
	321CV5	Bushing, Brass, 2.0 in. L
	321CV6	Bushing, Brass, 4.0 in. L
2	340BJ2	Collar, Clamp, \varnothing 1.12 in.
3	494AD7	Key, Emergency, Order p/n AAA194AZ_ for Replacement
4	AAA194AZ1	Key, Emergency, Molded, Flexible Polyurethane
5	AAA194AZ6	Key, Emergency, Polyurethane (for extra thick hoistway door application)
6	386BDK7	Plate, Strike Lever, 1.25 in. x 2.88 in.

Lift Rod Assembly

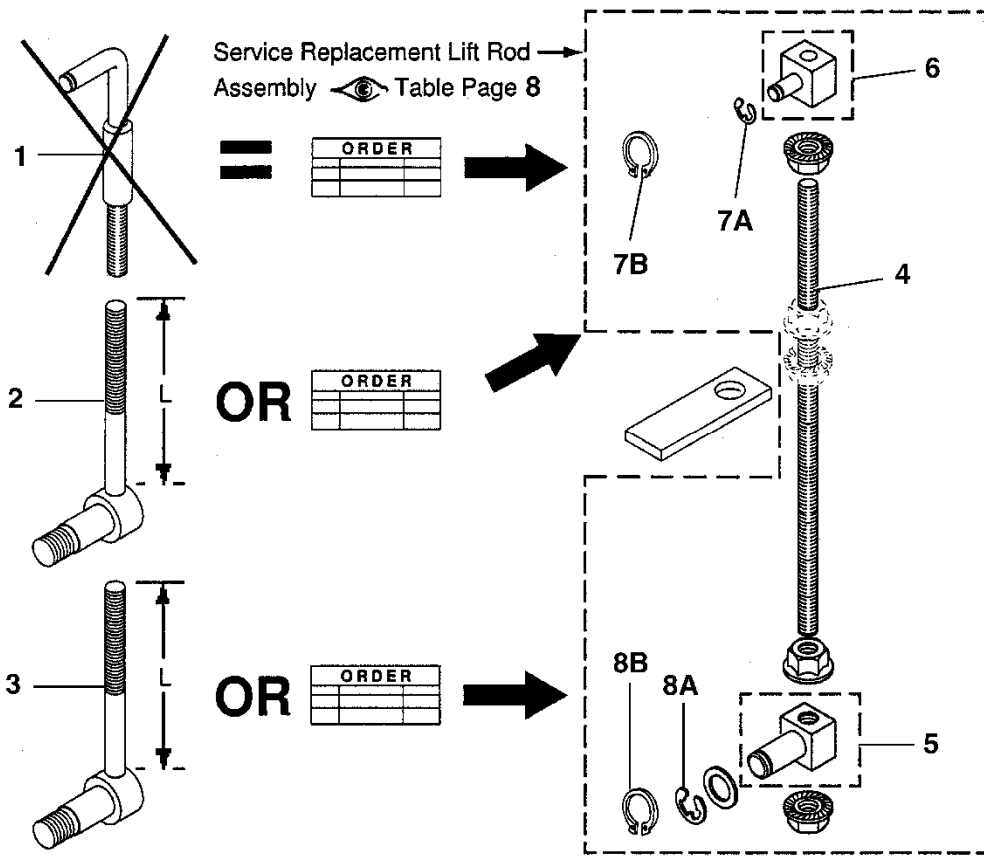
27-YX10202A



NOTE: New threaded rod type lift rod assembly is already included in new upper half of interlock assemblies (CYY10202C). If individual replacement of old style bent upper rod (see detail Ref. 1 on p. 9), or any hex turnbuckles is desired, you must order new rod assembly (AAA10202F1 or F2) as needed per parameters indicated in the table.

ENTRANCE TYPE	CAB HEIGHT	ENTRANCE HEIGHT	INTERLOCK TYPE	DIM 'A' (in.) (from p.3)	REPLACEMENT ROD ASSEMBLY: ORDER P/N
Center-Opening, Single-Slide, Two-Speed,  Shown	8' 0"	7' 0"	II	29.0	AAA10202F2
	9' 7"	8' 0"		22.0	
	10' 0"	8' 0"		17.0	
	9' 7"	7' 0"	I	10.0	AAA10202F1
	10' 0"	7' 0"		5.0	
Single-Slide, Two-Speed,  Opposite	8' 0"	7' 0"	II	29.0	AAA10202F2
	9' 7"	8' 0"		22.0	
	10' 0"	8' 0"		17.0	
	9' 7"	7' 0"	I	10.0	AAA10202F1
	10' 0"	7' 0"		5.0	

Lift Rod Assembly



NOTE: If upper lift rod needs replacement, the AAA10202F assembly will replace the entire old lift rod assembly comprised of upper and lower lift rods and center turnbuckle. The same holds if AAA10202F is used to replace either of the two old style lower lift rods. Also see Note on p. 8.

REF. No.	W/O VINTAGE PART No.	DESCRIPTION			
1	---	Lift Rod Type YYJO98BJ, Upper, <table border="1"><tr><td>ORDER</td></tr><tr><td></td></tr><tr><td></td></tr></table> Type AAA10202F Table on p. 8	ORDER		
ORDER					
2	YXJO77CD1	Lift Rod, Lower, 'L' = 75 mm, (Hand Thread) or <table border="1"><tr><td>ORDER</td></tr><tr><td></td></tr><tr><td></td></tr></table> Type AAA10202F Table on p. 8	ORDER		
ORDER					
3	YYJO77CD2	Lift Rod, Lower, 'L' = 75 mm, (Hand Thread) or <table border="1"><tr><td>ORDER</td></tr><tr><td></td></tr><tr><td></td></tr></table> Type AAA10202F Table p. 8	ORDER		
ORDER					
4	AAA96AAA8	Rod, Threaded, 'L' = 935 mm L			
	AAA96AAA9	Rod, Threaded, 'L' = 630 mm L			
5	ABA81HU1	Pin, \varnothing 'A' = 10 mm (to drive roller lever), Also Order Ref. 8A			
6	ABA81HU2	Pin, \varnothing 'A' = 6 mm (to lock latch lever), Also Order Ref. 7A			
7A	172DR11	Ring, Retaining, External, \varnothing 9.0 mm			
7B	172PM16				
8A	172DR13	Ring, Retaining, External, \varnothing 14.3 mm			
8B	172PM10				