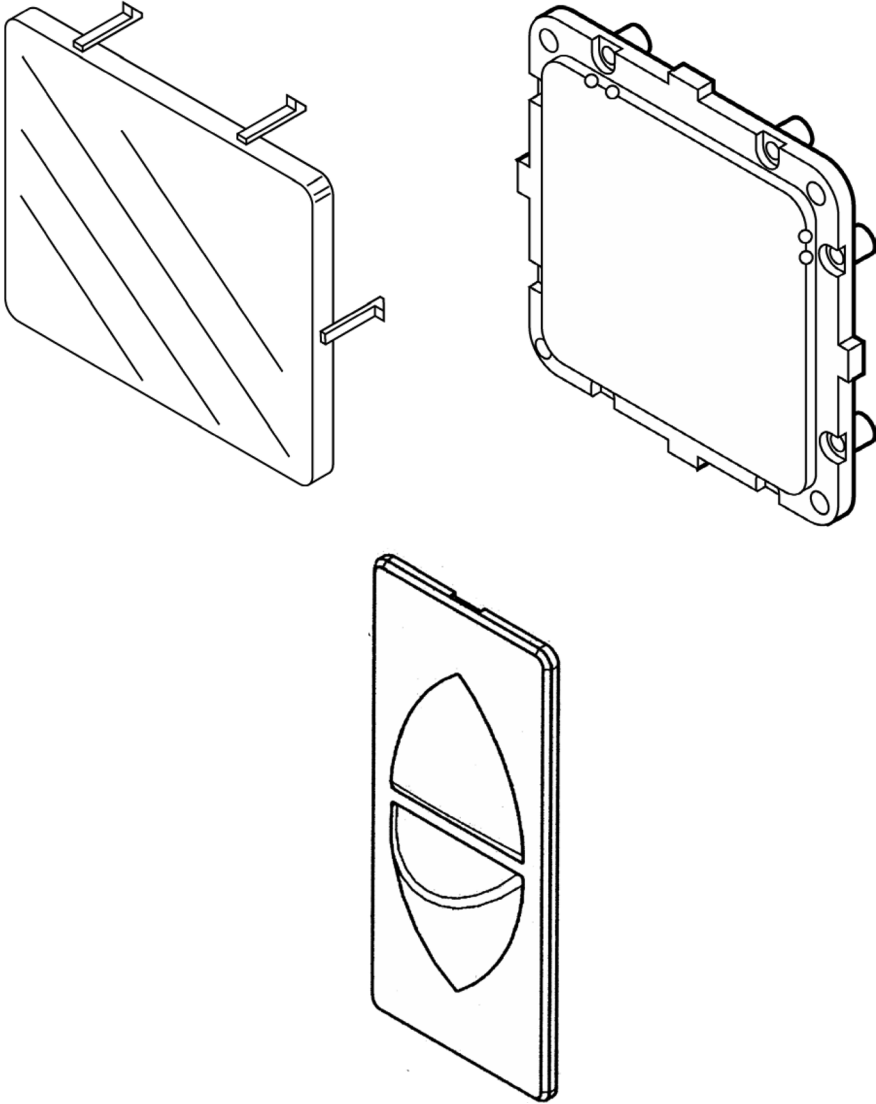


# Lens Fixtures

**Spare Parts Leaflet**  
**31-443CA**

**September 18, 2024 / Page 1 of 23**

**W/O  
VINTAGE**



This document does not contain any technical data subject to EAR or ITAR

**SERVICE ENGINEERING**  
**Otis Elevator Company**  
**Bloomfield, Connecticut USA**

Unpublished Work—© Otis Elevator Co.; 2024

# History

**31-443CA**

## Leaflet Description

This is a quick-reference SPL for lenses in the COP and Hall Stations. Pages 3–5 contain physical features of lens for a quick search. Pages 6–23 contain graphics to confirm lens part identification in alphanumerical order.

## Leaflet Revisions

Date Revised	Subject Matter Expert	Reason for Revision
March 24, 2008	Michael Bertini	New SPL
August 5, 2008	Joseph D. Zych	Added type AAA449BZ lenses on p. 23
February 18, 2009	Joseph D. Zych	Corrected illustration on p. 23
May 27, 2009	Joseph D. Zych	Corrected dimensions for Type 443CA COP lenses on pp. 3 and 6
September 10, 2009	Joseph D. Zych	Added parts A443CD3, D4; 443CC4
September 18, 2024	Vadzim Fedarenka	Added parts AAA449BZ4-13 & updated dimensions on p. 23; added AAA449BZ4-13 lenses on p. 4.

## Related Drawings

Drawing No.	Title	Drawing No.	Title
---	---		

## Related Documents

Document ID	Title
---	---

## Subject Matter Expert

Name	Department
Vadzim Fedarenka	OSC Service Engineering

## About Spare Parts Leaflets...

This document lists the lowest replaceable units (LRUs) for the standard version of the product. The LRUs are chosen by a team of Otis associates representing engineering and manufacturing.

While goal of this document is to make parts identification as easy as possible, the document cannot be all-inclusive. Elevator and escalator contracts classified as “special” or “custom” are not addressed here. For such contracts, please refer to specified information, the contract folder, TIPs, Field Education Articles, Construction Letters, etc. for further information.

If you have any suggestions about this document, please contact the subject matter expert listed on this page.

# Table of Contents: COP Lenses

**31-443CA**

PAGE No.	PART No.	DESCRIPTION				
		Function/ Location	Outer Dimension (Front Face, in.)	Color	Material	Related SPL No.
6	443CA1	Series 1 COP	11.31 x 8.62	Green	Polycarbonate	31-7155A
	443CA2	Series 1 COP	11.31 x 8.62	Red	Polycarbonate	31-7155A
	443CA3	Series 1 COP w/ Speaker Holes	11.31 x 8.62	Green	Polycarbonate	31-7155A
8	A443CD1	In-Car Lantern	5.2 x 3.3	Green	Polycarbonate	33-6463T
	A443CD2	In-Car Lantern	5.2 x 3.3	Red	Polycarbonate	33-6463T
	A443CD3	In-Car Lantern	5.2 x 3.3	Violet/Neutral	Polycarbonate	33-6463T
	A443CD4	In-Car Lantern	5.2 x 3.3	Grey	Polycarbonate	33-6463T
9	443CH1	Series 1 COP	8.6 x 8.3	Green	Polycarbonate	31-AAA7155BX
	443CH2	Series 1 COP	8.6 x 8.3	Red	Polycarbonate	31-7155AB
	443CH3	Series 1 COP w/ Speaker Holes	8.6 x 8.3	Green	Polycarbonate	31-AAA7155BX
10	AAA443DK1	COP	4.26 x 4.26	Green	Acrylic	31-AAA25000AF
	AAA443DK2	COP	4.26 x 4.26	Gray	Acrylic	31-AAA25000AF
	AAA443DK3	COP	4.26 x 4.26	Bronze	Acrylic	31-AAA25000AF
11	AAA443EA1	Certificate Door	9.65 x 7.32	Transparent	Acrylic	31-AAA25000DQ
13	AAA443EP1	COP	6.25 x 5.75	Gray	Polycarbonate	22-AAA23600X
	AAA443EP2	COP	6.25 x 5.75	Gray	Polycarbonate	31-AAA25000DT
	AAA443EP3	COP	6.25 x 5.75	Gray	Polycarbonate	31-AAA25000DR
14	AAA443ET4	COP Lantern	7.50 x 3.38	Black	Polycarbonate	33-AAA23550U
	AAA443ET6	COP Lantern	7.50 x 3.38	Black	Polycarbonate	33-AAA23550U
15	AAA443FJ1	COP Emerg Light	6.25 x 0.71	White	Polycarbonate	31-AAA25000DX
21	AAA449BR3	COP	12.87 x 7.20	Clear	Polycarbonate	31-AAA25000AAB
	AAA449BR4	COP	12.87 x 7.20	Clear	Polycarbonate	31-AAA25000AAB

**31-443CA****Table of Contents: COP Lenses**

PAGE No.	PART No.	DESCRIPTION				
		Function/ Location	Outer Dimension (Front Face, in.)	Color	Material	Related SPL No.
21	AAA449BT1	COP	11.45 x 9.1	Smoke Gray	Polycarbonate	31-AAA25000AAB
	AAA449BT2		11.45 x 9.1	Smoke Gray		31-AAA25000AAB
	AAA449BT3		8.65 x 5.40	Gray		---
	AAA449BT7		9.45 x 8.66	Smoke Gray		31-AAA25000BT
	AAA449BT8		9.45 x 8.66	Smoke Gray		31-AAA25000BT
	AAA449BT9		9.45 x 8.94	Smoke Gray		31-AAA25000BT
	AAA449BT10		4.25 x 4.13	Smoke Gray		---
	AAA449BV1		14.90 x 8.46	Gray		31-AAA25000BT
	AAA449BV2		14.90 x 8.46	Gray		31-AAA25000BT
23	AAA449BZ1	COP	5.00 x 3.00	Smoke Gray	Polycarbonate	31-AAA25000BT
	AAA449BZ2		4.00 x 4.00			
	AAA449BZ3		5.00 x 4.00			
	AAA449BZ4		5.00 x 3.00			
	AAA449BZ5		4.00 x 4.00			
	AAA449BZ6		5.00 x 4.00			
	AAA449BZ7		3.88 x 2.54			
	AAA449BZ8		3.88 x 2.54			
	AAA449BZ9		4.30 x 5.80			
	AAA449BZ10		5.00 x 5.00			
	AAA449BZ11		5.00 x 4.00			
	AAA449BZ12		5.00 x 3.00			
	AAA449BZ13		4.00 x 4.00			

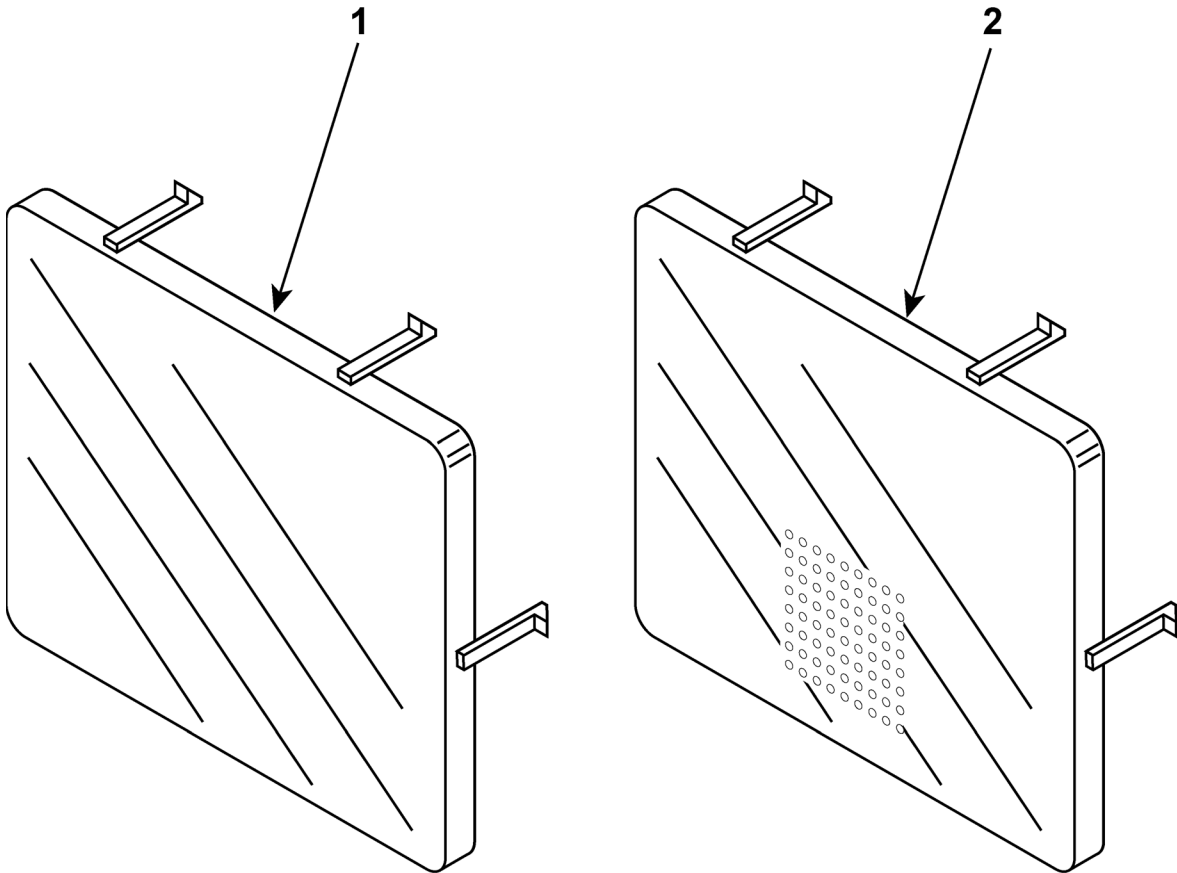
# Table of Contents: Hall Lenses

**31-443CA**

PAGE No.	PART No.	DESCRIPTION				
		Function/ Location	Outer Dimension (Front Face, in.)	Color	Material	Related SPL No.
7	443CC1	Hall Lantern/PI	4.25 x 4.25	Green	Polycarbonate	34-6646CY
	443CC2	Hall Lantern/PI	4.25 x 4.25	Red		34-6646CY
	443CC3	Hall Lantern/PI	4.25 x 4.25	Violet/Neutral		34-6646CY
	443CC4	Hall Lantern/PI	4.25 x 4.25	Grey		34-6646CY
12	AAA443EC1	Position Indicator	6.61 x 3.11	Red		31-AAA25000CP
	AAA443EC2	Hall Lantern	4.25 x 4.25	Green		34-AAA23550L
	AAA443EC3	Hall Lantern	4.25 x 4.25	Green		34-AAA23550L
	AAA443EC4	Hall Lantern	5.20 x 3.40	Green		31-AAA6463AB
	AAA443EC5	Position Indicator	6.61 x 3.11	Green		31-AAA25000DQ
	AAA443EC6	Position Indicator	6.61 x 3.11	Smoke Gray		31-AAA25000DW
16	AAA00449AAB001	Hall Lantern	8.74 x 4.72	Gray		34-AAA23550B
	AAA00449AAB002	Hall Lantern	8.74 x 4.72	White		34-AAA23550B
	AAA00449AAB003	Hall Lantern	8.74 x 4.72	Gray		34-AAA23550B
17	AAA00449AAC001	Hall Lantern	6.25 x 4.72	Gray		---
	AAA00449AAC002	Hall Lantern	6.25 x 4.72	White		---
	AAA00449AAC003	Hall Lantern	6.25 x 4.72	Gray		---
18	449AT3	Hall Lantern	3.625 Dia	Clear	C-3029	
	449AT4	Hall Lantern	3.625 Dia	Red	C-3029	
20	A449AS1	Hall Lantern	3.25 x 3.25	White	34-AAA6646AAE	
19	449BA1	Hall Lantern	3.25 x 3.25	White	34-AAA23550AA	
22	AAA274T1	Hall Lantern	2.52 x 2.52	White	34-AAA23550T	

# Series 1 COP Lens

**31-443CA**

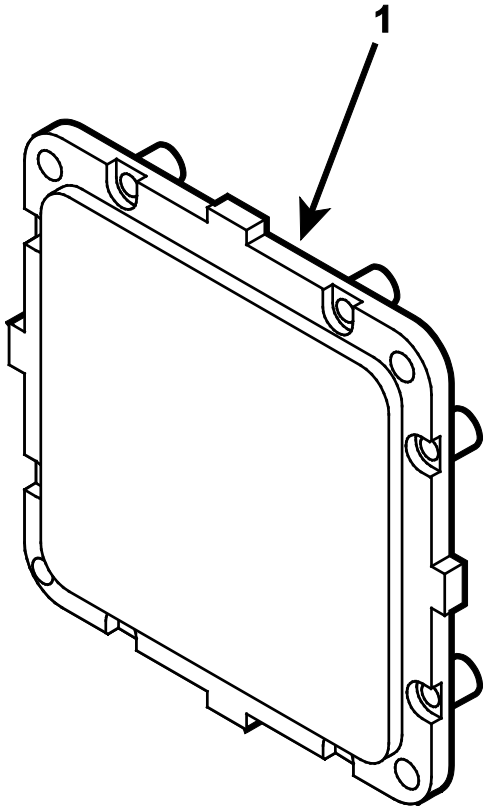


**W/O VINTAGE**

REF. No.	PART No.	DESCRIPTION				
		Function/ Location	Outer Dimension (Front Face, in.)	Color	Material	Related SPL No.
1	443CA1	Series 1 COP	11.31 x 8.62	Green	Polycarbonate	31-7155A
	443CA2	Series 1 COP	11.31 x 8.62	Red	Polycarbonate	31-7155A
2	443CA3	Series 1 COP w/ Speaker Holes	11.31 x 8.62	Green	Polycarbonate	31-7155A

# Hall Lantern, Position Indicator

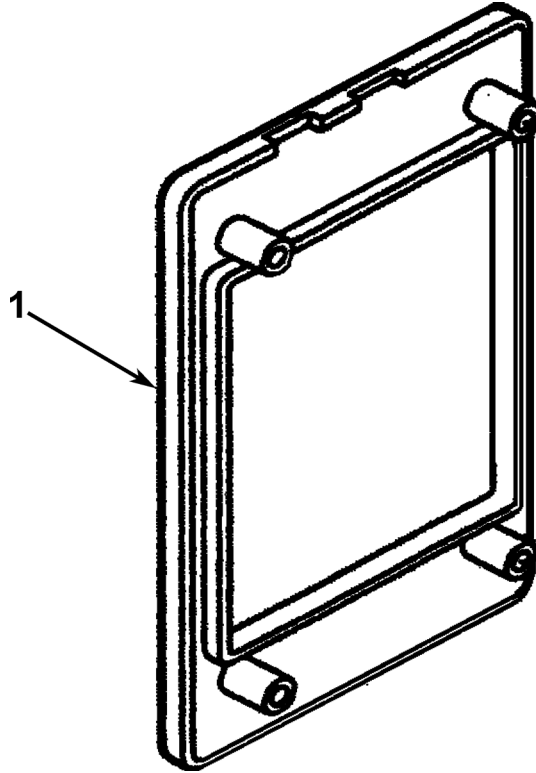
**31-443CA**



<b>W/O VINTAGE</b>		<b>DESCRIPTION</b>				
<b>REF. No.</b>	<b>PART No.</b>	<b>Function/ Location</b>	<b>Outer Dimension (Front Face, in.)</b>	<b>Color</b>	<b>Material</b>	<b>Related SPL No.</b>
1	443CC1	Hall Lantern/ PI	4.25 x 4.25	Green	Polycarbonate	34-6646CY
	443CC2	Hall Lantern/ PI	4.25 x 4.25	Red	Polycarbonate	34-6646CY
	443CC3	Hall Lantern/ PI	4.25 x 4.25	Violet/ Neutral	Polycarbonate	34-6646CY
	443CC4	Hall Lantern/ PI	4.25 x 4.25	Grey	Polycarbonate	34-6646CY

# In-Car Lantern

**31-443CA**

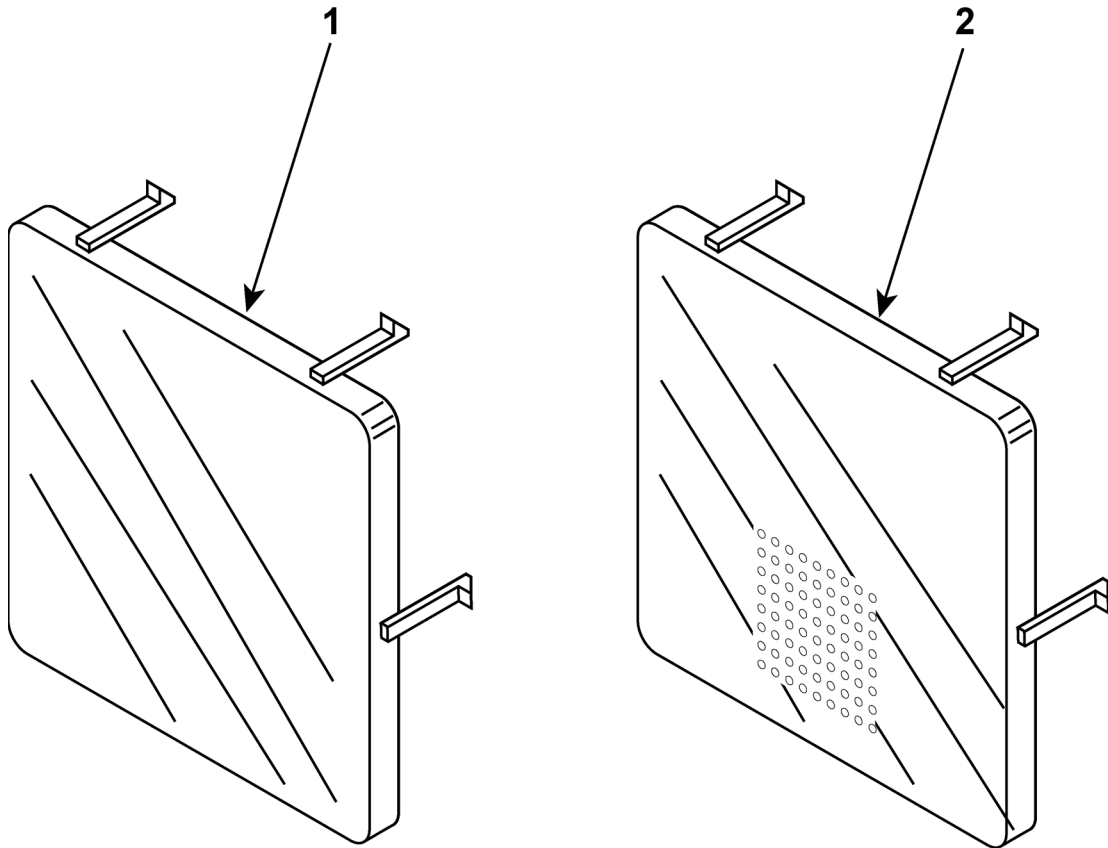


		<b>W/O VINTAGE</b>				
<b>REF. No.</b>	<b>PART No.</b>	<b>DESCRIPTION</b>				
		<b>Function/ Location</b>	<b>Outer Dimension (Front Face, in.)</b>	<b>Color</b>	<b>Material</b>	<b>Related SPL No.</b>
1	A443CD1	In-Car Lantern	5.2 x 3.3	Green	Polycarbonate	33-6463T
	A443CD2	In-Car Lantern	5.2 x 3.3	Red	Polycarbonate	33-6463T
	A443CD3	In-Car Lantern	5.2 x 3.3	Violet/Neutral	Polycarbonate	33-6463T
	A443CD4	In-Car Lantern	5.2 x 3.3	Grey	Polycarbonate	33-6463T



# Series 1 COP

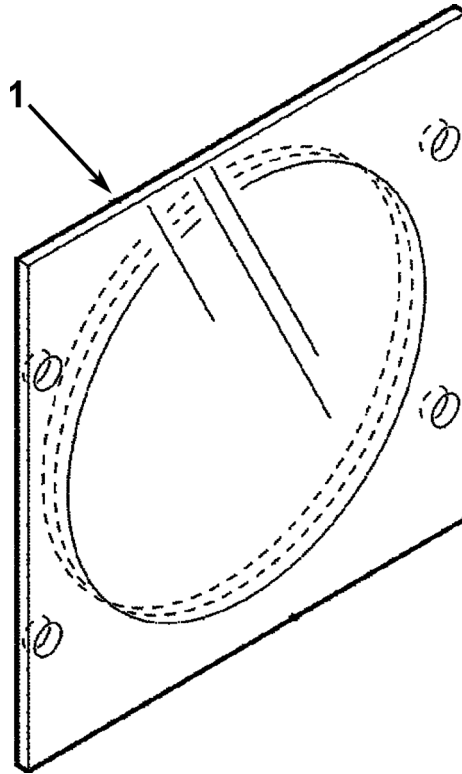
**31-443CA**



<b>W/O VINTAGE</b>		<b>DESCRIPTION</b>				
<b>REF. No.</b>	<b>PART No.</b>	<b>Function/ Location</b>	<b>Outer Dimension (Front Face, in.)</b>	<b>Color</b>	<b>Material</b>	<b>Related SPL No.</b>
1	443CH1	Series 1 COP	8.6 x 8.3	Green	Polycarbonate	31-AAA7155BX
	443CH2	Series 1 COP	8.6 x 8.3	Red		31-7155AB
2	443CH3	Series 1 COP w/ Speaker Holes	8.6 x 8.3	Green		31-AAA7155BX

# COP Lens

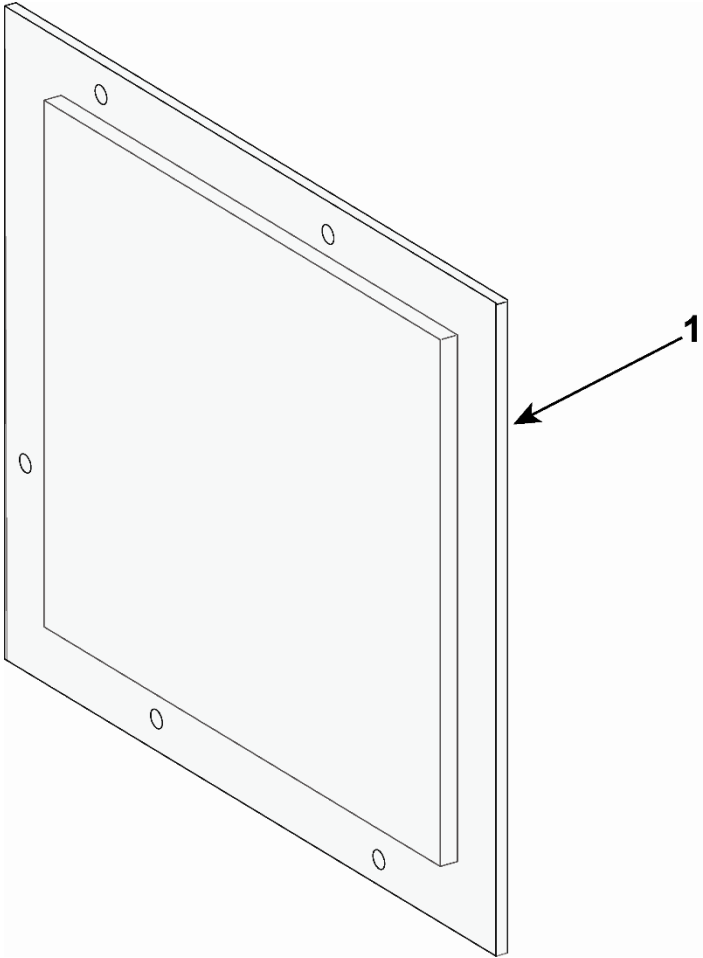
**31-443CA**



W/O VINTAGE		DESCRIPTION				
REF. No.	PART No.	Function/ Location	Outer Dimension (Front Face, in.)	Color	Material	Related SPL No.
1	AAA443DK1	COP	4.26 x 4.26	Green	Plexiglas	31-AAA25000AF
	AAA443DK2	COP	4.26 x 4.26	Gray	Plexiglas	
	AAA443DK3	COP	4.26 x 4.26	Bronze	Plexiglas	

# Certificate Door

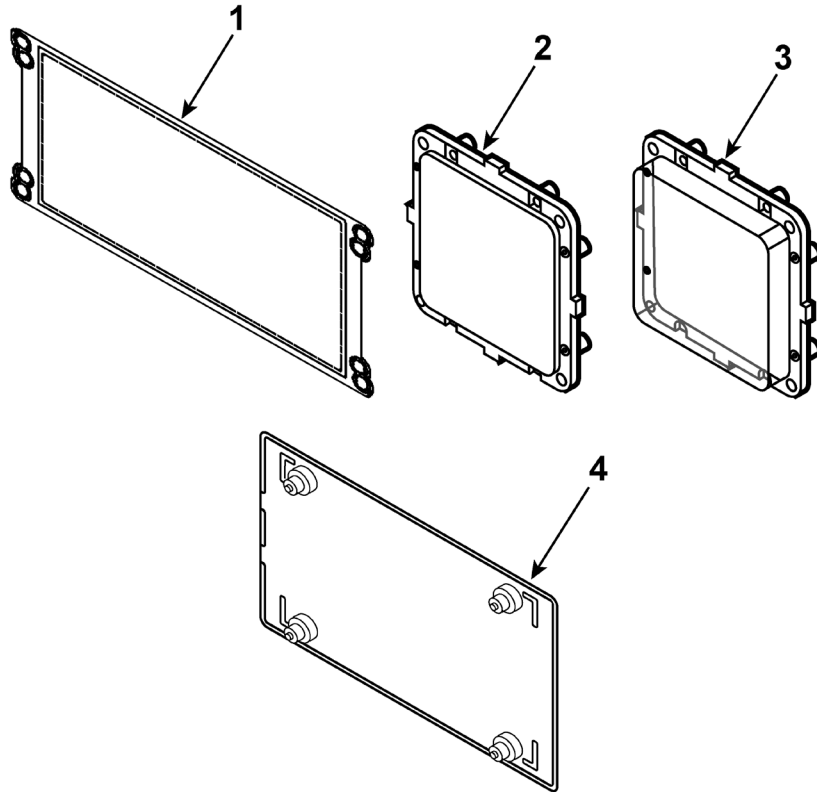
**31-443CA**



		<b>W/O VINTAGE</b>				
<b>REF. No.</b>	<b>PART No.</b>	<b>DESCRIPTION</b>				
		<b>Function/ Location</b>	<b>Outer Dimension (Front Face, in.)</b>	<b>Color</b>	<b>Material</b>	<b>Related SPL No.</b>
1	AAA443EA1	Certificate Door	9.65 x 7.32	Transparent	Plexiglas	31-AAA25000DQ

# Position Indicator

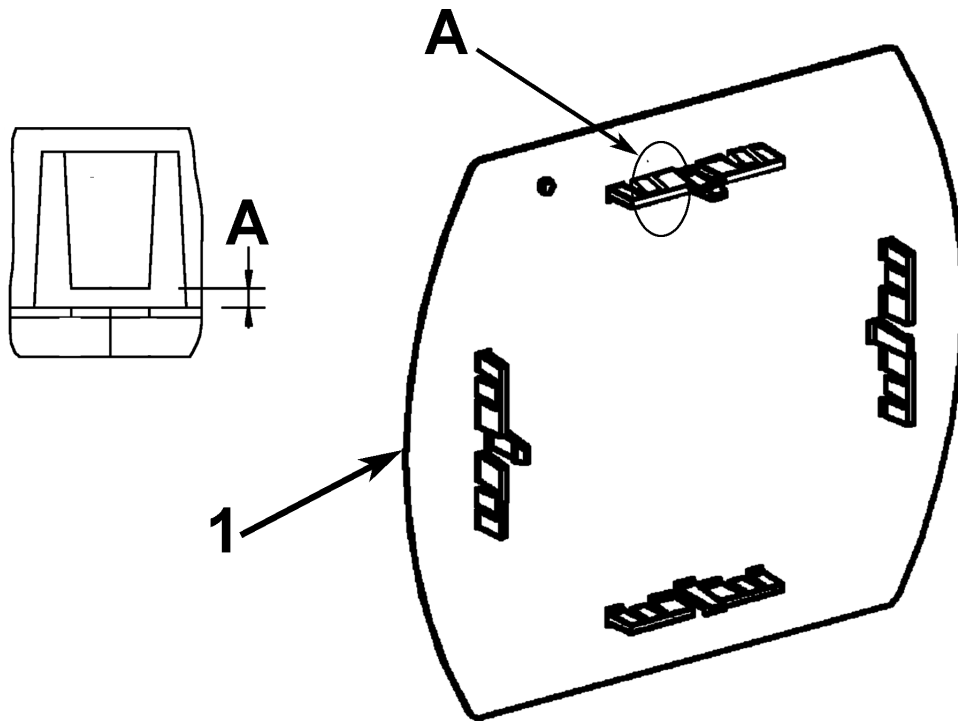
**31-443CA**



		<b>W/O VINTAGE</b>				
<b>REF. No.</b>	<b>PART No.</b>	<b>DESCRIPTION</b>				
		<b>Function/ Location</b>	<b>Outer Dimension (Front Face, in.)</b>	<b>Color</b>	<b>Material</b>	<b>Related SPL No.</b>
1	AAA443EC1	Position Indicator	6.61 x 3.11	Red	Polycarbonate	31-AAA25000CP
	AAA443EC5	Position Indicator	6.61 x 3.11	Green		34-AAA23550L
	AAA443EC6	Position Indicator	6.61 x 3.11	Smoke Gray		34-AAA23550L
2	AAA443EC2	Hall Lantern	4.25 x 4.25	Green		31-AAA6463AB
3	AAA443EC3	Hall Lantern	4.25 x 4.25	Green		31-AAA25000DQ
4	AAA443EC4	Hall Lantern	5.20 x 3.40	Green		31-AAA25000DW

# Car Operating Panel

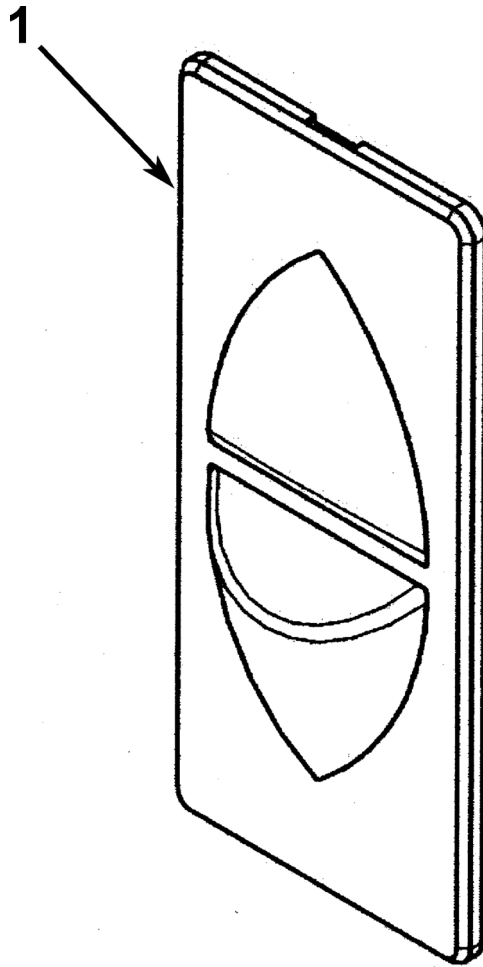
**31-443CA**



W/O VINTAGE		DESCRIPTION					
REF. No.	PART No.	Function/ Location	Outer Dimension (Front Face, in.)	DIM 'A' (mm)	Color	Material	Related SPL No.
1	AAA443EP1	COP	6.25 x 5.75	1.00	Gray	Polycarbonate	22-AAA23600X
	AAA443EP2			1.70	Gray		31-AAA25000DT
	AAA443EP3			3.20	Gray		31-AAA25000DR

# In-Car Lantern

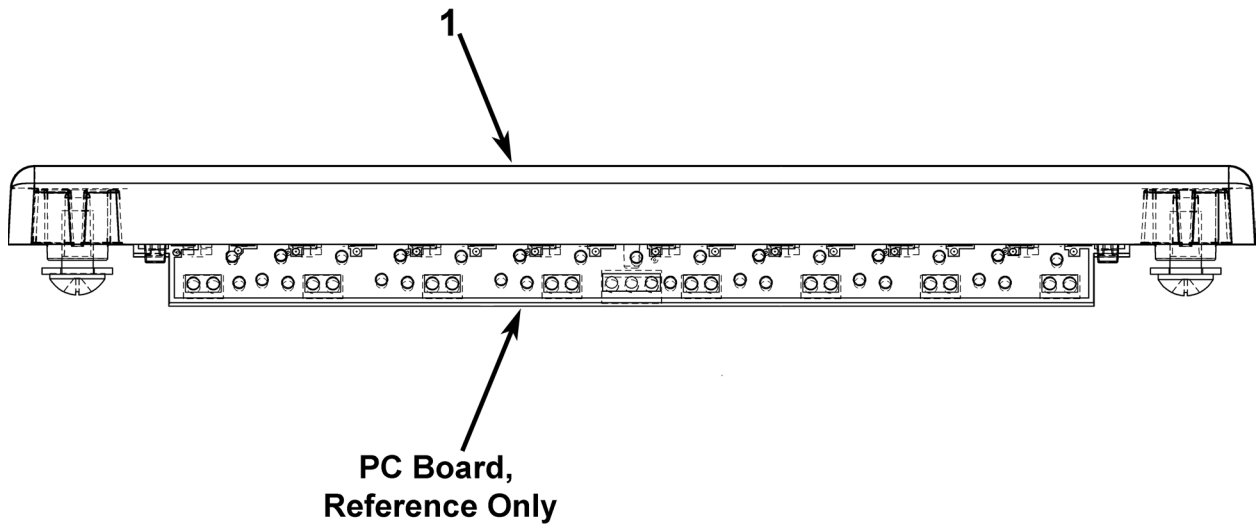
**31-443CA**



		<b>W/O VINTAGE</b>				
<b>REF. No.</b>	<b>PART No.</b>	<b>DESCRIPTION</b>				
		<b>Function/ Location</b>	<b>Outer Dimension (Front Face, in.)</b>	<b>Color</b>	<b>Material</b>	<b>Related SPL No.</b>
1	AAA443ET4	COP Lantern	7.50 x 3.38	Black	Polycarbonate	33-AAA23550U
	AAA443ET6	COP Lantern	7.50 x 3.38	Black	Polycarbonate	33-AAA23550U

# COP Emergency Light

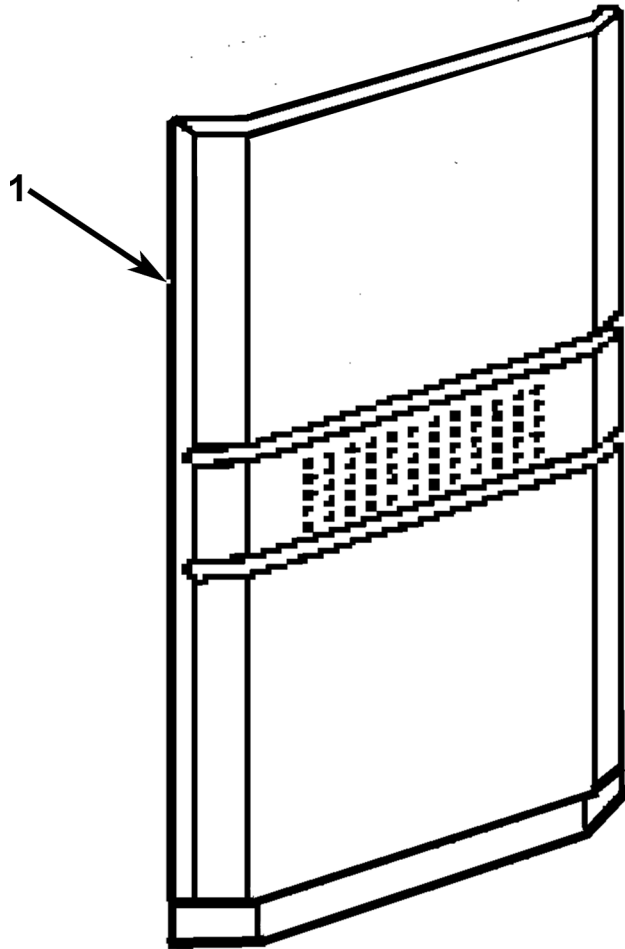
**31-443CA**



REF. No.	PART No.	DESCRIPTION				
		Function/ Location	Outer Dimension (Front Face, in.)	Color	Material	Related SPL No.
1	AAA443FJ1	COP Emergency Light	6.25 x 0.71	White	Polycarbonate	31-AAA25000DX

# Hall Lantern

**31-443CA**

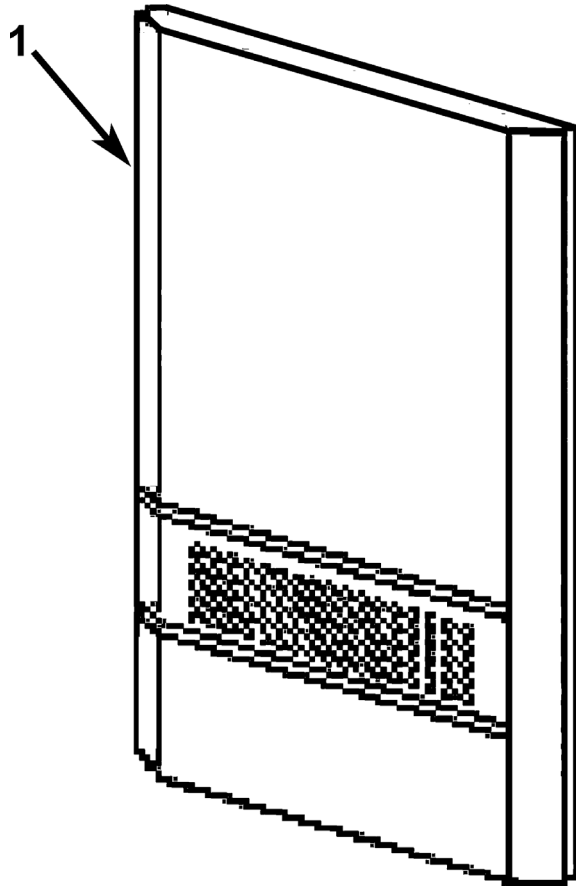


REF. No.	W/O VINTAGE	DESCRIPTION				
	PART No.	Function/ Location	Outer Dimension (Front Face, in.)	Color	Material	Related SPL No.
1	AAA00449AAB001	Hall Lantern	8.74 x 4.72	Gray	Polycarbonate	34-AAA23550B
	AAA00449AAB002	Hall Lantern	8.74 x 4.72	White	Polycarbonate	34-AAA23550B
	AAA00449AAB003	Hall Lantern	8.74 x 4.72	Gray	Polycarbonate	34-AAA23550B



# Hall Lantern

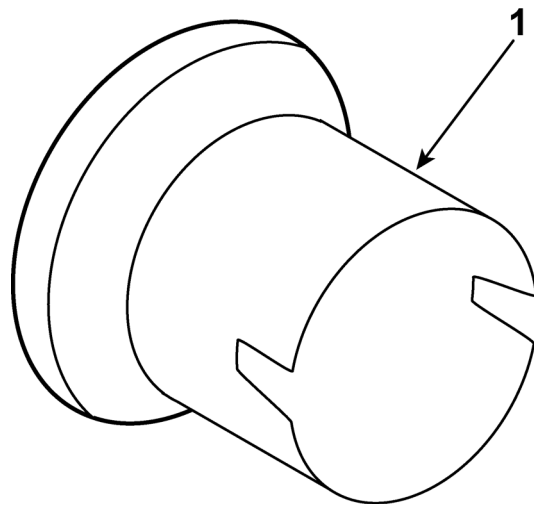
**31-443CA**



REF. No.	W/O VINTAGE	DESCRIPTION				
	PART No.	Function/ Location	Outer Dimension (Front Face, in.)	Color	Material	Related SPL No.
1	AAA00449AAC001	Hall Lantern	6.25 x 4.72	Gray	Polycarbonate	---
	AAA00449AAC002	Hall Lantern	6.25 x 4.72	White	Polycarbonate	---
	AAA00449AAC003	Hall Lantern	6.25 x 4.72	Gray	Polycarbonate	---

# Hall Lantern

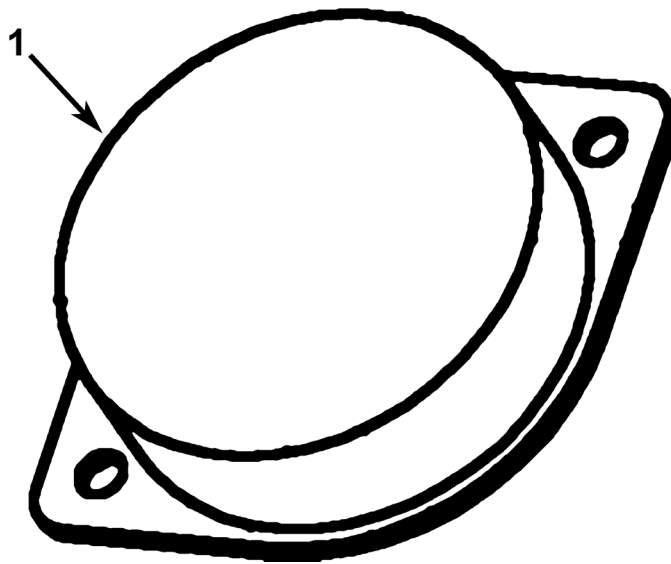
**31-443CA**



REF. No.	W/O VINTAGE	DESCRIPTION				
	PART No.	Function/ Location	Outer Diameter (Front Face, in.)	Color	Material	Related SPL No.
1	449AT3	Hall Lantern	3.625	Clear	Polycarbonate	C-3029
	449AT4	Hall Lantern	3.625	Red	Polycarbonate	C-3029

# Hall Lantern

**31-443CA**

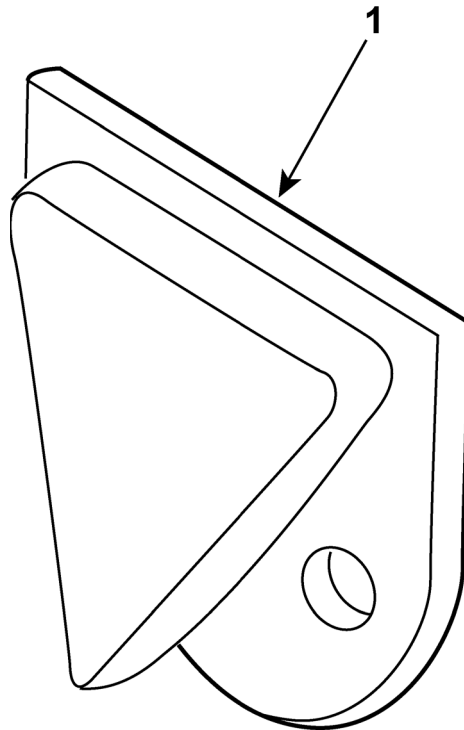


**W/O VINTAGE**

REF. No.	PART No.	DESCRIPTION				
		Function/ Location	Outer Diameter (Front Face, in.)	Color	Material	Related SPL No.
1	449BA1	Hall Lantern	3.25 x 3.25	White	Polycarbonate	34-AAA23550AA

# Hall Lantern

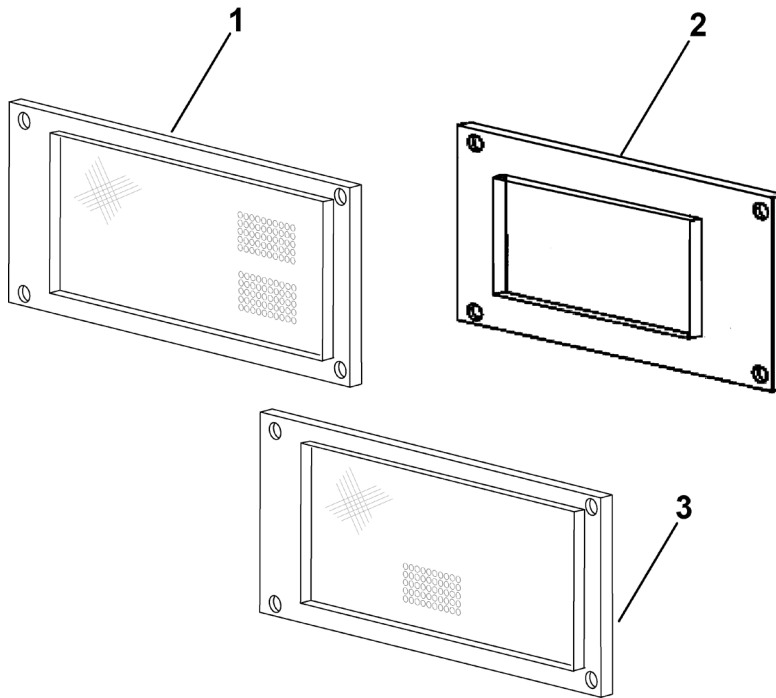
**31-443CA**



W/O VINTAGE		DESCRIPTION				
REF. No.	PART No.	Function/ Location	Outer Dimension (Front Face, in.)	Color	Material	Related SPL No.
1	A449AS1	Hall Lantern	3.25 x 3.25	White	Polycarbonate	34-AAA6646AAE

# Car Operating Panel

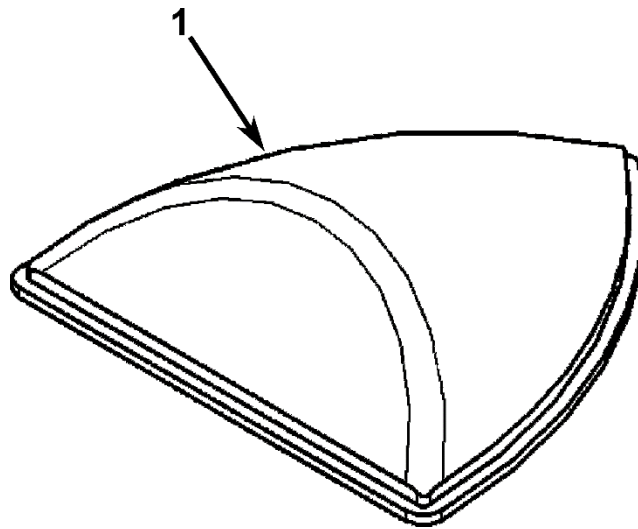
**31-443CA**



		<b>W/O VINTAGE</b>				
<b>REF. No.</b>	<b>PART No.</b>	<b>DESCRIPTION</b>				
		<b>Function/ Location</b>	<b>Outer Dimension (Front Face, in.)</b>	<b>Color</b>	<b>Material</b>	<b>Related SPL No.</b>
1	AAA449BR3	COP	12.87 x 7.20	Clear	Polycarbonate	31-AAA25000AAB
	AAA449BR4	COP	12.87 x 7.20	Clear		31-AAA25000AAB
2	AAA449BT1	COP	11.45 x 9.1	Smoke Gray		31-AAA25000AAB
	AAA449BT2	COP	11.45 x 9.1	Smoke Gray		31-AAA25000AAB
	AAA449BT3	COP	8.65 x 5.40	Gray		---
	AAA449BT7	COP	9.45 x 8.66	Smoke Gray		31-AAA25000BT
	AAA449BT8	COP	9.45 x 8.66	Smoke Gray		31-AAA25000BT
	AAA449BT9	COP	9.45 x 8.94	Smoke Gray		31-AAA25000BT
	AAA449BT10	COP	4.25 x 4.13	Smoke Gray		---
3	AAA449BV1	COP	14.90 x 8.46	Gray		31-AAA25000BT
	AAA449BV2	COP	14.90 x 8.46	Gray		31-AAA25000BT

# Hall Lantern

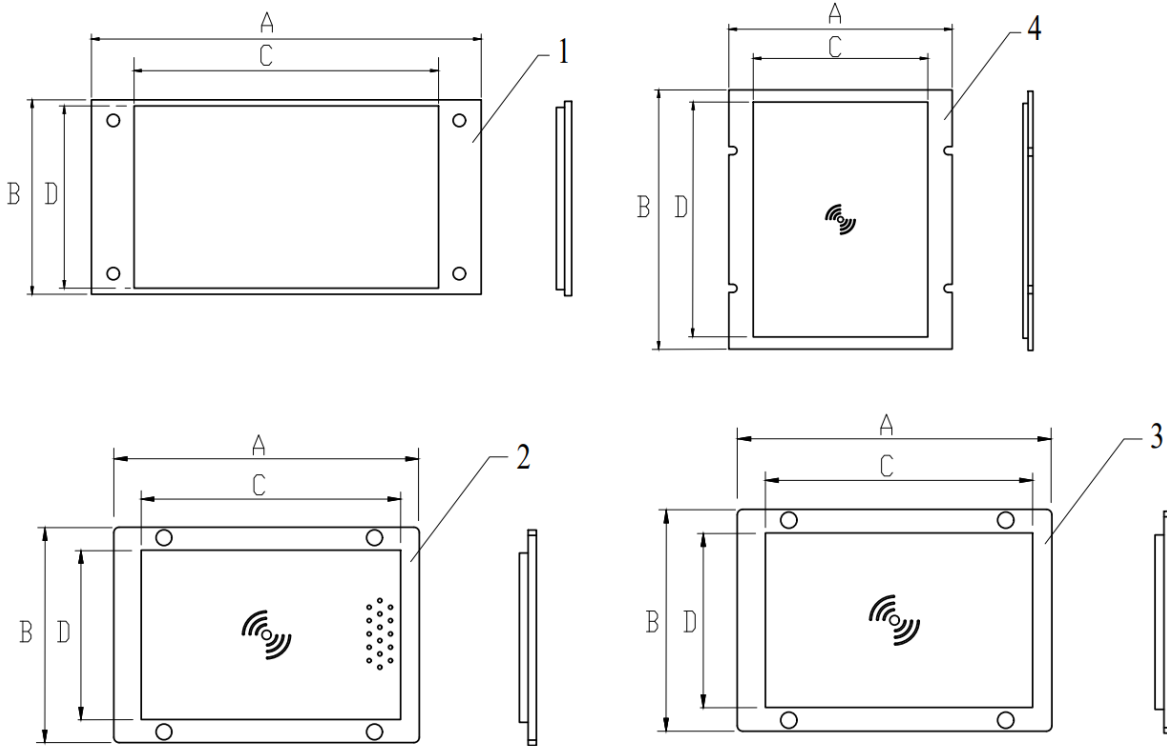
**31-443CA**



		<b>W/O VINTAGE</b>				
<b>REF. No.</b>	<b>PART No.</b>	<b>DESCRIPTION</b>				
		<b>Function/ Location</b>	<b>Outer Dimension (Front Face, in.)</b>	<b>Color</b>	<b>Material</b>	<b>Related SPL No.</b>
1	AAA274T1	Direction Indicator	2.52 x 2.52	White	Polycarbonate	34-AAA23550T

# Car Reader Lens

**31-443CA**



W/O VINTAGE							
REF. No.	PART No.	DESCRIPTION	Color	A (in / mm)	B (in / mm)	C (in / mm)	D (in / mm)
1	AAA449BZ13	Lens, Card Reader, Polycarbonate	Smoke Gray	5.05 / 128.3	4.26 / 108.2	4.00 / 101.6	4.00 / 101.6
	AAA449BZ5			5.40 / 137.2	4.20 / 106.7	4.00 / 101.6	4.00 / 101.6
	AAA449BZ2			5.40 / 137.2	5.40 / 137.2	4.00 / 101.6	4.00 / 101.6
	AAA449BZ12			6.05 / 153.7	3.26 / 82.8	5.00 / 127.0	3.00 / 76.2
	AAA449BZ11			6.05 / 153.7	4.26 / 108.2	5.00 / 127.0	4.00 / 101.6
	AAA449BZ10			6.36 / 161.5	6.36 / 161.5	5.00 / 127.0	5.00 / 127.0
	AAA449BZ4			6.40 / 162.6	3.20 / 81.3	5.00 / 127.0	3.00 / 76.2
	AAA449BZ6			6.40 / 162.6	4.20 / 106.7	5.00 / 127.0	4.00 / 101.6
	AAA449BZ1			6.40 / 162.6	4.40 / 111.8	5.00 / 127.0	3.00 / 76.2
	AAA449BZ3			6.40 / 162.6	5.40 / 137.2	5.00 / 127.0	4.00 / 101.6
2	AAA449BZ7			4.57 / 116.1	3.23 / 82.0	3.88 / 98.6	2.54 / 64.5
3	AAA449BZ8			4.57 / 116.1	3.23 / 82.0	3.88 / 98.6	2.54 / 64.5
4	AAA449BZ9			5.50 / 139.7	6.40 / 162.6	4.30 / 109.2	5.80 / 147.3