

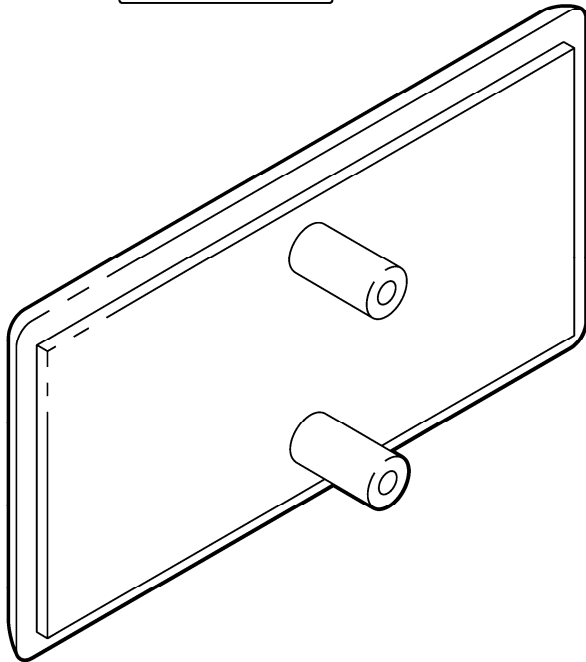
Jewel

Spare Parts Leaflet

31-443CB

April 1, 2000 / Page 1 of 4

**W/O
VINTAGE**



Part 443CB4 Shown

OTIS

Safety First!

SERVICE ENGINEERING

Otis Elevator Company
Bloomfield, Connecticut USA

History
31-443CB
First Published: April 1, 2000

Jewel

REVISED DATE	RESPONSIBLE ENGINEER	PRIMARY REASON FOR REVISION
April 1, 2000	Val Minnes	New leaflet

Leaflet Description

This leaflet provides spare parts information for type 443CB jewel.

RELATED LEAFLET NUMBERS	TITLES
31-7069AG	Advanced Fixtures, Jewel Modules for Hall and Car Panels 3-Wire Configuration with Incandescent Lamps
31-AAA7069AAR	Advanced Fixtures—Part, Jewel Module for 24 Volt Systems

DRAWING REFERENCES
443CB

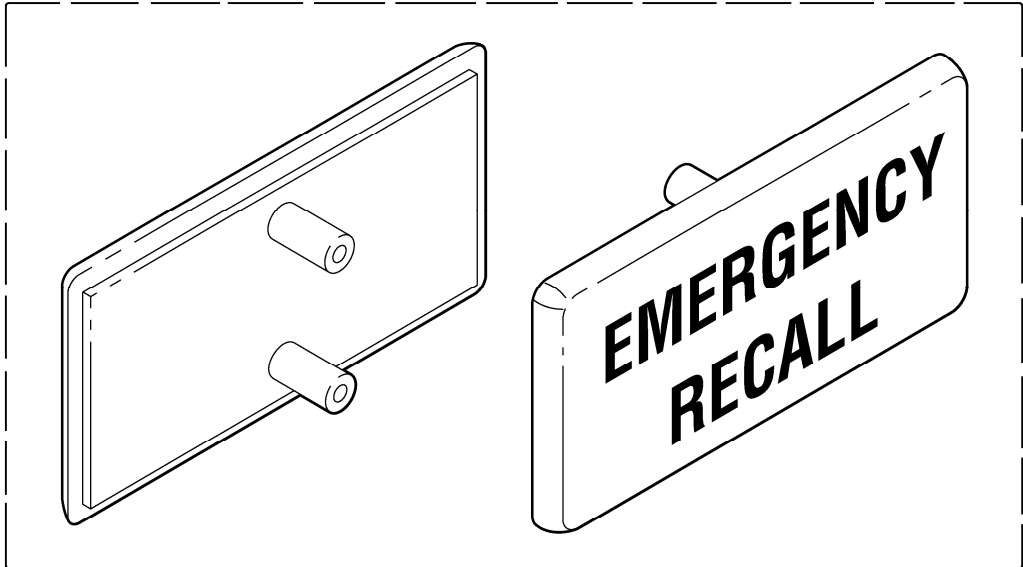
RELATED DOCUMENT NUMBERS	TITLES
---	---

This Spare Parts Leaflet (SPL) is prepared to assist you in determining the Lowest Replaceable Units (LRU) supported by the Otis Service Center for the standard version of the product titled on the preceding page. The parts are chosen by Otis associates from: Engineering, Field Engineering, Service Engineering, and Manufacturing. We attempt to make part identification as easy as possible. The SPL, however, cannot be all inclusive. Elevator and escalator contracts classified as either "special" or "custom" are not addressed. Alternative sources of information such as: the Contract Folder, Technical Information Publications, Field Education Articles, Construction Letters, etc. may give the information you are after. You live in the real world of maintaining your elevator and escalator contracts. On a daily basis, situations arise regarding parts identification and at times, for some reason, the part you need is not in the SPL. If you think a standard part not listed should be—let us know. We will respond.

Val Minnes—OSC Service Engineering

Type 443CB Jewel

31-443CB

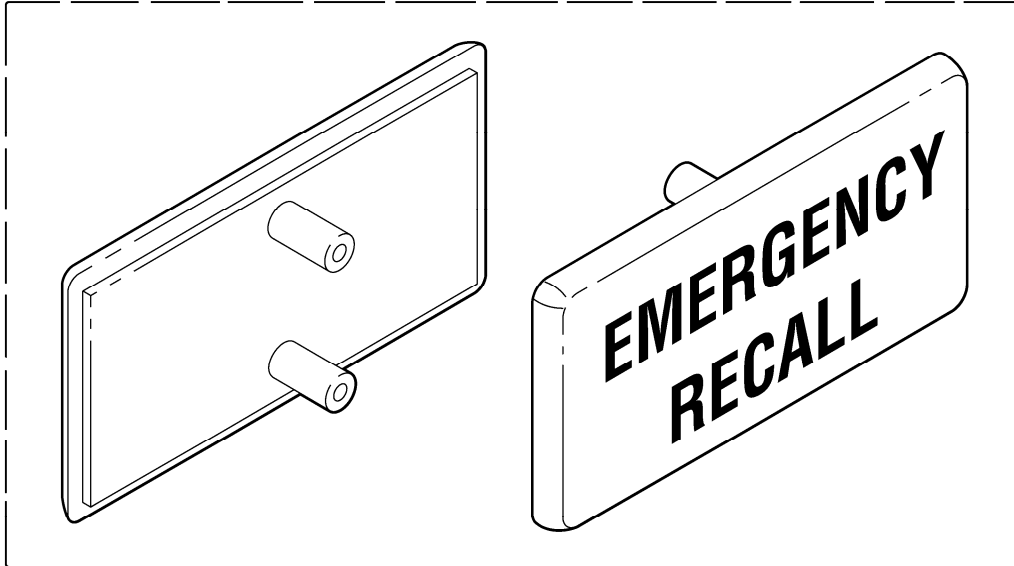


Part 443CB4 Shown

W/O VINTAGE					
REF. NO.	PART or ML	DESCRIPTION	LENS COLOR	INK COLOR	MARKING
1	443CB1	Jewel	Transparent Red	---	(Blank)
	443CB2		Transparent Natural	---	(Blank)
	443CB3		Transparent Green	---	(Blank)
	443CB4		Transparent Red	White	EMERGENCY RECALL
	443CB5		Transparent Red	White	RAPPEL DE SECOURS
	443CB6		Transparent Blue	---	(BLANK)
	443CB7		Transparent Red	White	ELEVATOR EMERGENCY POWER

(Continued on Next page)

Type 443CB Jewel



Part 443CB4 Shown

W/O VINTAGE					
REF. NO.	PART or ML	DESCRIPTION	LENS COLOR	INK COLOR	MARKING
1	443CB8	Jewel	Transparent Red	White	ALIMENTATION DE SECOURS
	443CB9		Transparent Red	White	ELEV. EMERG. POWER ALIMENTATION DE SECOURS
	443CB10		Transparent Red	White	ALIMENTATION DE SECOURS ELEV. EMERG. POWER
	443CB11		Transparent Red	White	EMERGENCY RECALL RAPPEL DE SECOURS
	443CB12		Transparent Red	White	RAPPEL DE SECOURS EMERGENCY RECALL
	443CB13		Transparent Blue	White	MEDICAL EMERGENCY