

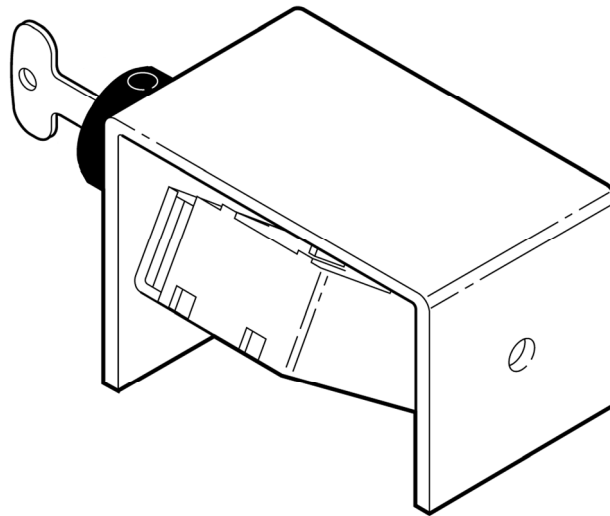
**Keyswitch:  
Type 6410R**

**Spare Parts Leaflet**

**31-6410R**

**February 24, 2006 / Page 1 of 3**

**W/O  
VINTAGE**



**OTIS**

**Safety First!**

**SERVICE ENGINEERING**  
Otis Elevator Company  
Bloomfield, Connecticut USA

**Leaflet Description**

This leaflet provides spare parts information for type 6410R keyswitches.

**Leaflet Revisions**

<b>Date Revised</b>	<b>Subject Matter Expert</b>	<b>Reason for Revision</b>
Val Minnes	May 1999	New Leaflet
Joseph D. Zych	February 24, 2006	Updated Template; Added Key p/n VP-796350 on p. 3

**Related Drawings**

<b>Drawing No.</b>	<b>Title</b>	<b>Drawing No.</b>	<b>Title</b>
6410R	Keyswitch	---	---
---	---	---	---

**Related Documents**

<b>Document ID</b>	<b>Title</b>
---	---

**Subject Matter Expert**

<b>Name</b>	<b>Department</b>
Joseph D. Zych	OSC Service Engineering

**About Spare Parts Leaflets...**

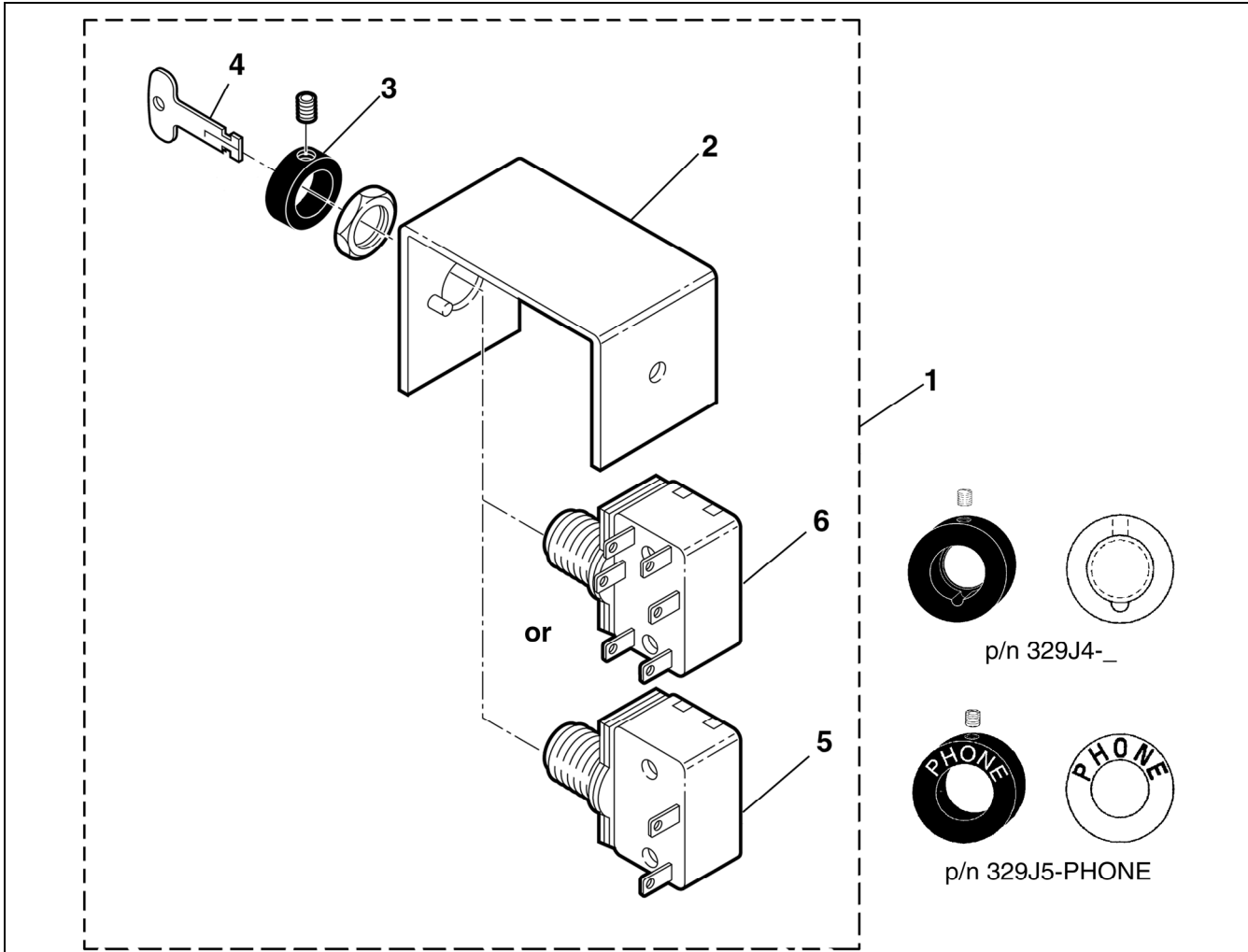
This document lists the lowest replaceable units (LRUs) for the standard version of the product. The LRUs are chosen by a team of Otis associates representing engineering and manufacturing.


While goal of this document is to make parts identification as easy as possible, the document cannot be all-inclusive. Elevator and escalator contracts classified as "special" or "custom" are not addressed here. For such contracts, please refer to specified information, the contract folder, TIPS, Field Education Articles, Construction Letters, etc. for further information.

If you have any suggestions about this document, please contact the subject matter expert listed on this page.

# Keyswitch: Type 6410R

**31-6410R**



W/O VINTAGE			
REF. No.	PART No.	DESCRIPTION	
1	6410R2	Assembly, Key Operated Switch. Includes Switch 6410R1 & Bracket 316BYV2	
	6410R4	Assembly, Key Operated Switch. Includes Switch 6410R3 & Bracket 316BYV2	
2	316BYV2	Bracket	
3	329J4-__	Cap, Housing, Black w/Set Screw (viewed from rear, O.D. = 0.609 in.	 <b>NOTE</b>
	329J5-__	Cap, Housing, Black w/Set Screw (viewed from rear, O.D. = 0.470 in.	
4	VP-796350	Key, (two included)	
5	6410R1	Switch, Single-Pole Single-Throw, (2) Keys Included	
6	6410R3	Switch, Two Position, Double-Pole Double-Throw, (2) Keys Included	

**NOTE:** Order a housing cap by indicating the desired marking after the dash:  
 e.g. 329J4-OFF ON FAN or 329J5-PHONE. Consult SDC inventory for selection availability.