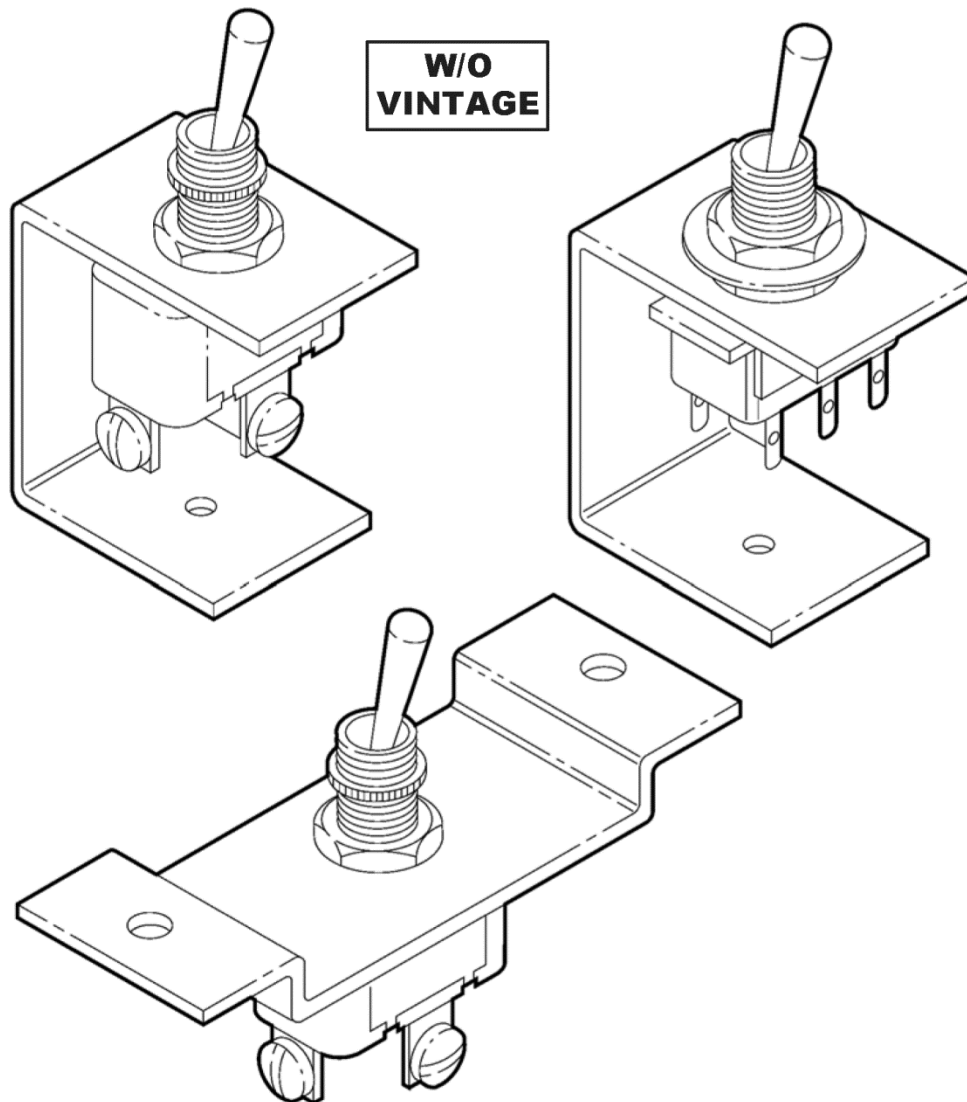


Switches
Electrical Units for
Fixtures Assembly

Spare Parts Leaflet

31-6599A

February 1, 2017 / Page 1 of 5



OTIS

This document does not contain any
technical data subject to EAR or ITAR

SERVICE ENGINEERING
Otis Elevator Company
Bloomfield, Connecticut USA

Unpublished Work—© Otis Elevator Co.; 2017

Leaflet Description

This leaflet provides spare parts information for 6599A switches.

Leaflet Revisions

Date Revised	Subject Matter Expert	Reason for Revision
May 1999	Val Minnes	New leaflet.
April 13, 2004	John Dwyer	Correct part number in ref. 6 on page 4.
March 26, 2014	Ali Bozorgzadeh	Added p/n 6599A19 on p. 4
February 1, 2017	Joseph Zych	Added part numbers 6599A20 and 6599A21 on p. 5

Related Drawings

Drawing No.	Drawing No.	Drawing No.	Drawing No.
6599A	177P	7412H	AAA417CF
316ACT	417CD	B7003C	7049A

Related Documents

Document ID	Title
---	---

Subject Matter Expert

Name	Department
Joseph Zych	OSC Service Engineering

About Spare Parts Leaflets...

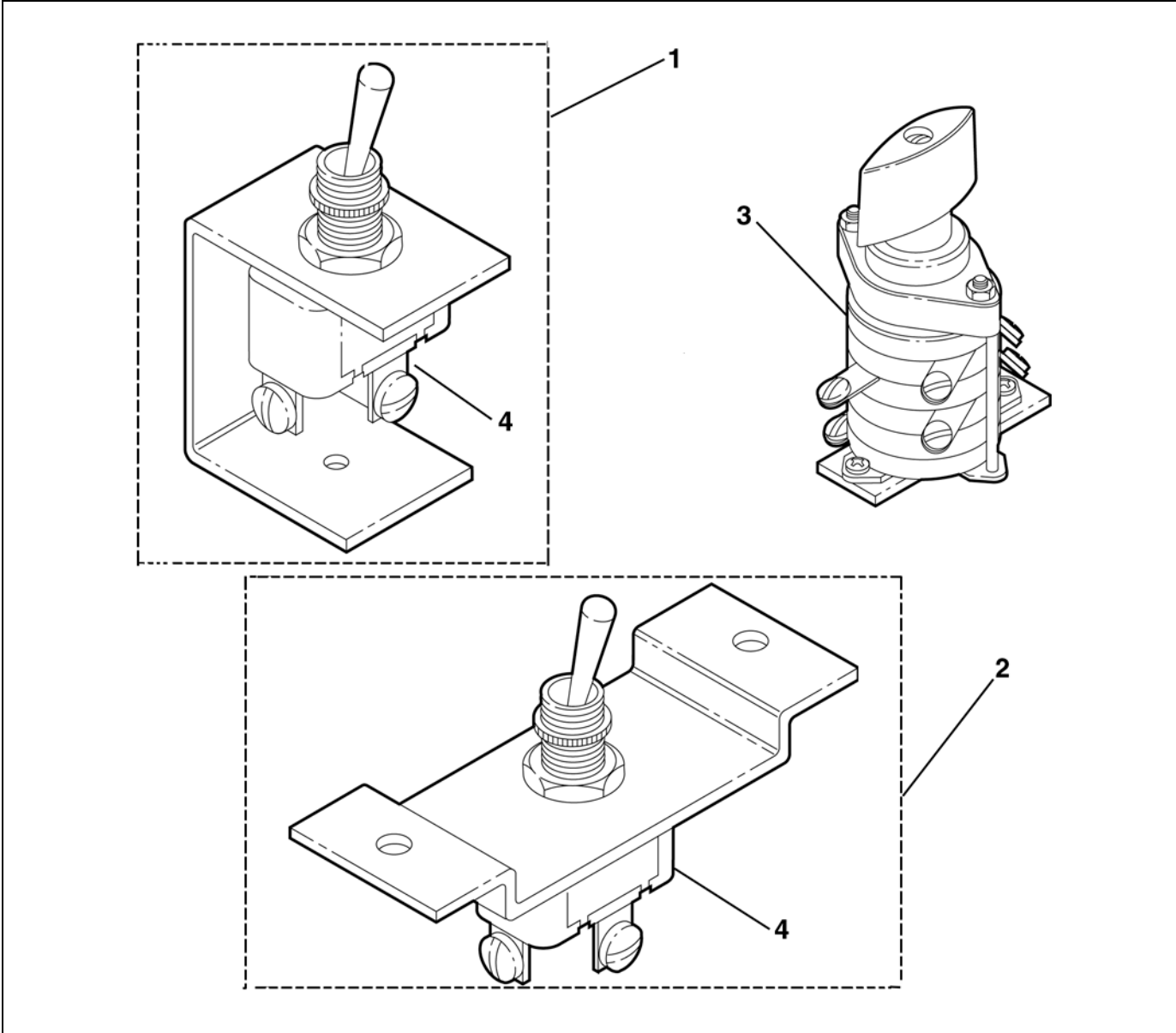
This document lists the lowest replaceable units (LRUs) for the standard version of the product. The LRUs are chosen by a team of Otis associates representing engineering and manufacturing.

While goal of this document is to make parts identification as easy as possible, the document cannot be all-inclusive. Elevator and escalator contracts classified as "special" or "custom" are not addressed here. For such contracts, please refer to specified information, the contract folder, TIPs, Field Education Articles, Construction Letters, etc. for further information.

If you have any suggestions about this document, please contact the subject matter expert listed on this page.

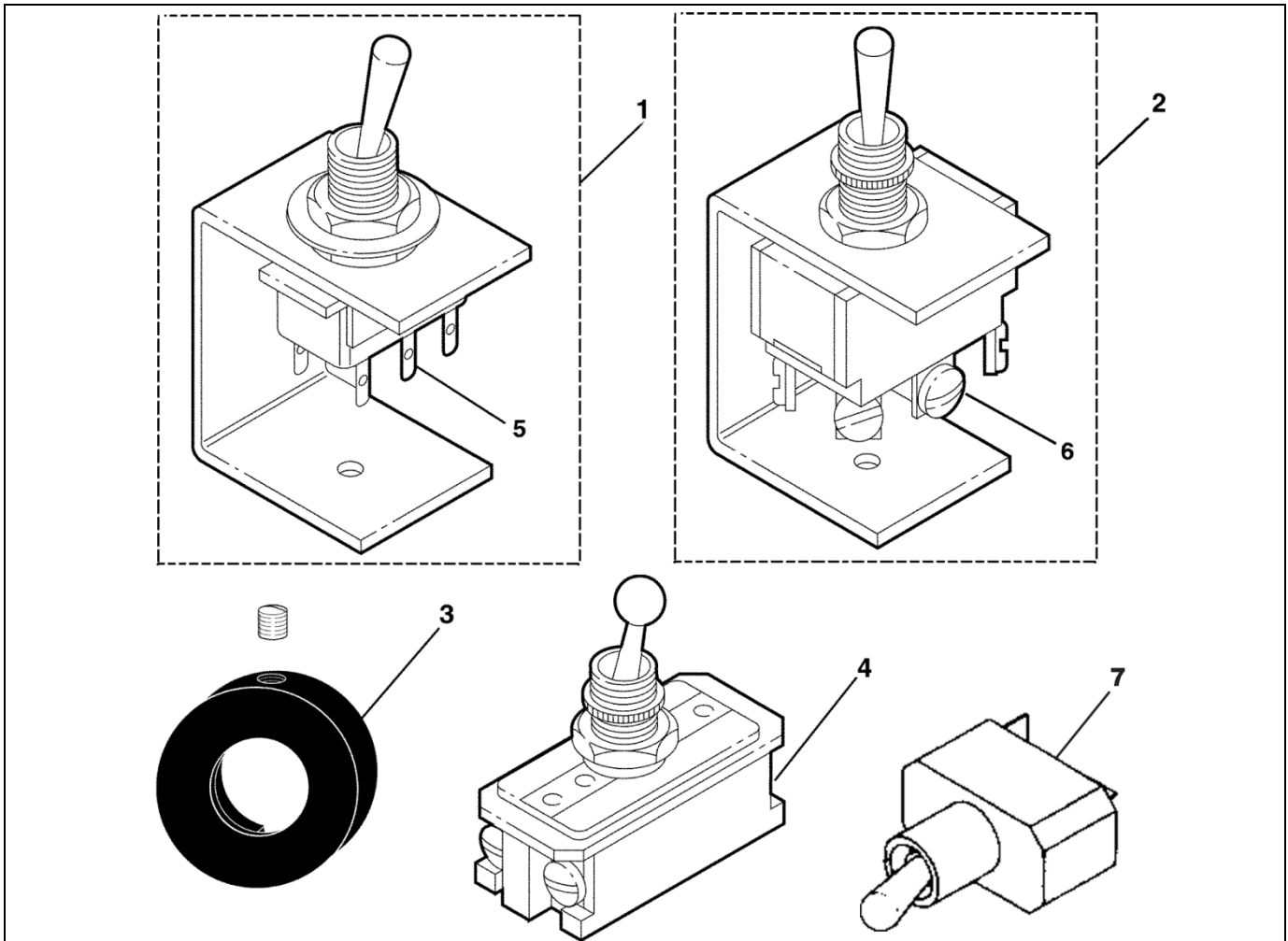
Switches: Electrical Units for Fixtures Assembly

31-6599A




REF. No.	W/O VINTAGE PART No.	DESCRIPTION
1	6599A4	Assembly, Electrical Units for Fixtures. Includes Switch 6599A3 & Bracket 316ACT1
2	6599A18	Assembly, Electrical Units for Fixtures. Includes Switch 6599A3 & Bracket AAA347BEC1
3	6599A1 177P2	Switch, Three-Circuit
4	6599A3	Switch, Single-Pole Single-Throw

Switches: Electrical Units for Fixtures Assembly

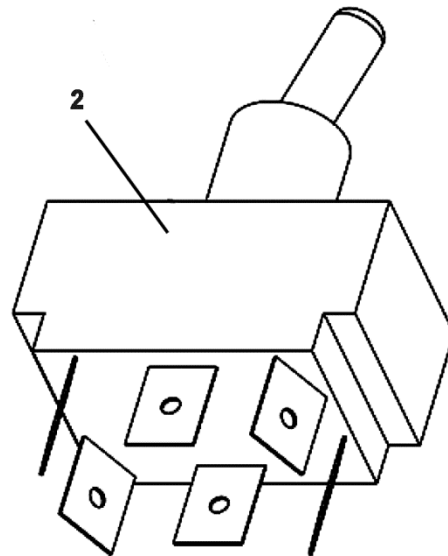
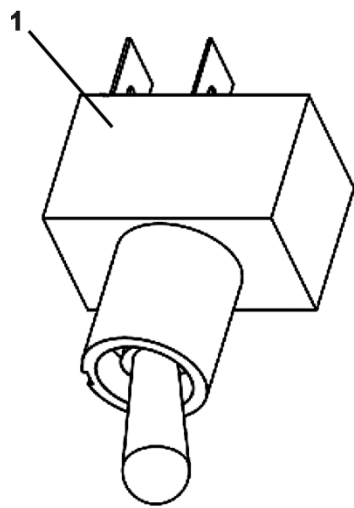


W/O VINTAGE

REF. No.	PART No.	DESCRIPTION
1	6599A8	Assembly, Electrical Units for Fixtures. Includes Switch 6599A7 & Bracket 316ACT1
2	6599A12	Assembly, Electrical Units for Fixtures. Includes Switch 6599A11 & Bracket 316ACT1
3	329J4	Cap, Housing,  SPL 31-329J
4	6599A5	Switch, Double-Pole Single-Throw
5	6599A7	Switch, Double-Pole Double-Throw, w/ Solder Terminals, ON-NONE-ON
6	6599A11	Switch, Double-Pole Double-Throw, w/ Screw Terminals, ON-OFF-ON
7	6599A19	Switch, Single-Pole Single-Throw

Switches: Electrical Units for Fixtures Assembly

31-6599A



W/O VINTAGE		
REF. No.	PART No.	DESCRIPTION
1	6599A20	Switch, Single-Pole Single-Throw, w/ 1/4 in. Quick Connect Terminals
2	6599A21	Switch, Double-Pole Double-Throw, w/ 1/4 in. Quick Connect Terminals