

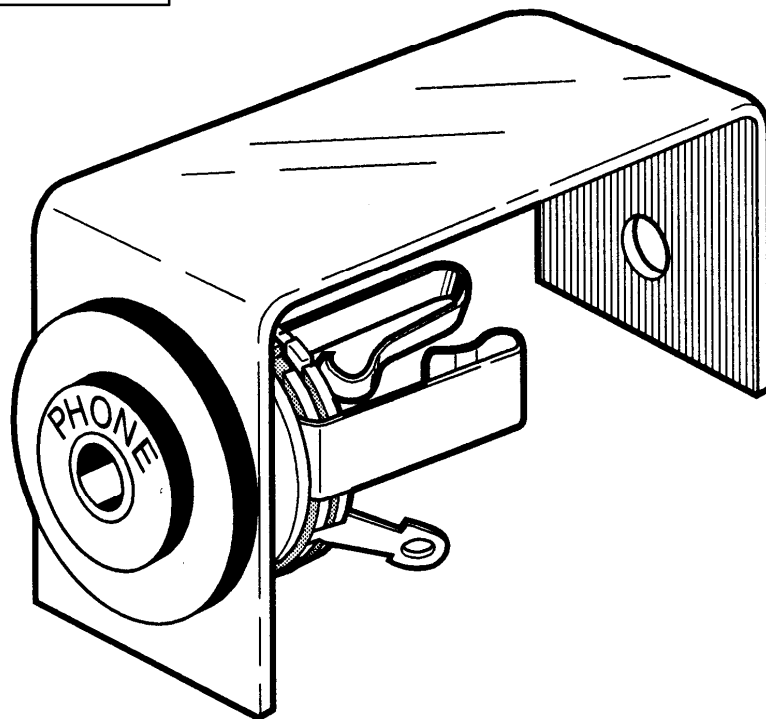
# Phone Jack Assembly

**Spare Parts Leaflet**

**31-6599F**

**December 23, 2009 / Page 1 of 3**

**W/O  
VINTAGE**



**OTIS**

**Safety First!**

**SERVICE ENGINEERING**  
Otis Elevator Company  
Bloomfield, Connecticut USA

**Leaflet Description**

This leaflet provides spare parts information for 6599F phone jack.

**Leaflet Revisions**

<b>Date Revised</b>	<b>Subject Matter Expert</b>	<b>Reason for Revision</b>
January 1999	Val Minnes	New leaflet
December 23, 2009	Michael Bertini	Added 6599F6 phone jack reference on p. 3

**Related Drawings**

<b>Drawing No.</b>	<b>Title</b>	<b>Drawing No.</b>	<b>Title</b>
6599F	Assembly Phone Jack	329AX	Collar, Phone
316ACT	Bracket		

**Related Documents**

<b>Document ID</b>	<b>Title</b>
---	---

**Subject Matter Expert**

<b>Name</b>	<b>Department</b>
Michael Bertini	OSC Service Engineering

**About Spare Parts Leaflets...**

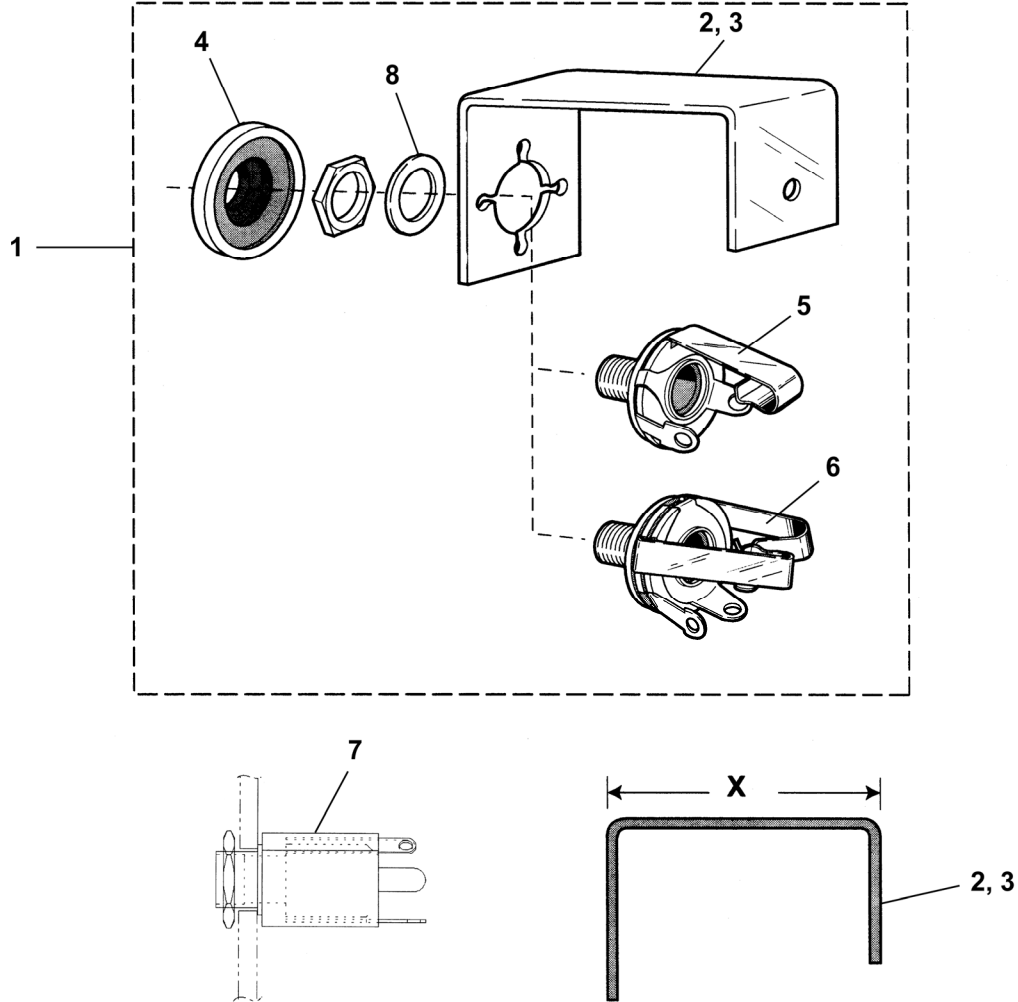
This document lists the lowest replaceable units (LRUs) for the standard version of the product. The LRUs are chosen by a team of Otis associates representing engineering and manufacturing.

While goal of this document is to make parts identification as easy as possible, the document cannot be all-inclusive. Elevator and escalator contracts classified as "special" or "custom" are not addressed here. For such contracts, please refer to specified information, the contract folder, TIPs, Field Education Articles, Construction Letters, etc. for further information.

If you have any suggestions about this document, please contact the subject matter expert listed on this page.

# Phone Jack Assembly

**31-6599F**



		<b>WO Vintage</b>		
<b>REF. NO.</b>	<b>PART or ML</b>	<b>DESCRIPTION</b>	<b>"X" in.</b>	<b>MOUNTING HOLE DIAMETER</b>
1	6599F2	Assembly, Phone Jack  Phone Jack 6599F1, Phone Collar 329AX1, Bracket 316ACT1, and Belleville Lock Washer 130R5	---	0.78 in.
	6599F3	Assembly, Phone Jack  Phone Jack 6599F1, Phone Collar 329AX1, Bracket 316ACT2, and Belleville Lock Washer 130R5		
	6599F4	Assembly, Phone Jack  Phone Jack 6599F1, and Belleville Lock Washer 130R5		
2	316ACT1	Bracket	1.938 in.	---
3	316ACT2	Bracket	1.563 in.	---
4	329AX1	Collar, Phone	---	---
5	6599F1	Jack, Phone (Two-Connector)	---	---
6	6599F5	Jack, Phone (Three-Connector)	---	---
7	6599F6	Jack, Phone (Three-Connector)	---	0.44 in.
8	130R5	Washer, Belleville Lock	---	---