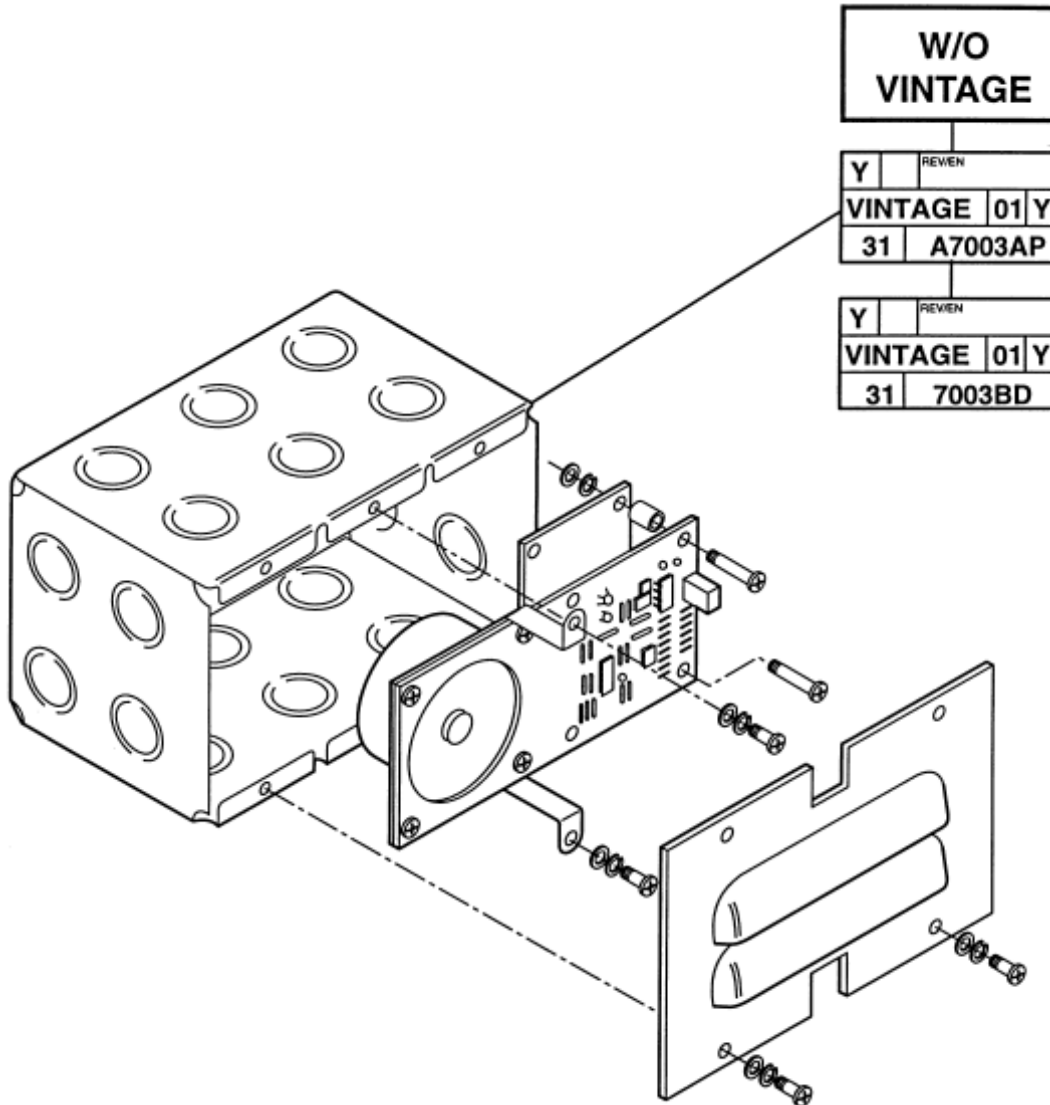


# SPL 31-7003AP - Fixture - Part Advanced & Modular, Top-of-car Gong Assembly

Unpublished Work - © Otis Elevator Company. Any unauthorized reproduction, disclosure, or distribution of copies or content by any person of any portion of this work may be a violation of Copyright Law of the United States of America. All rights reserved.

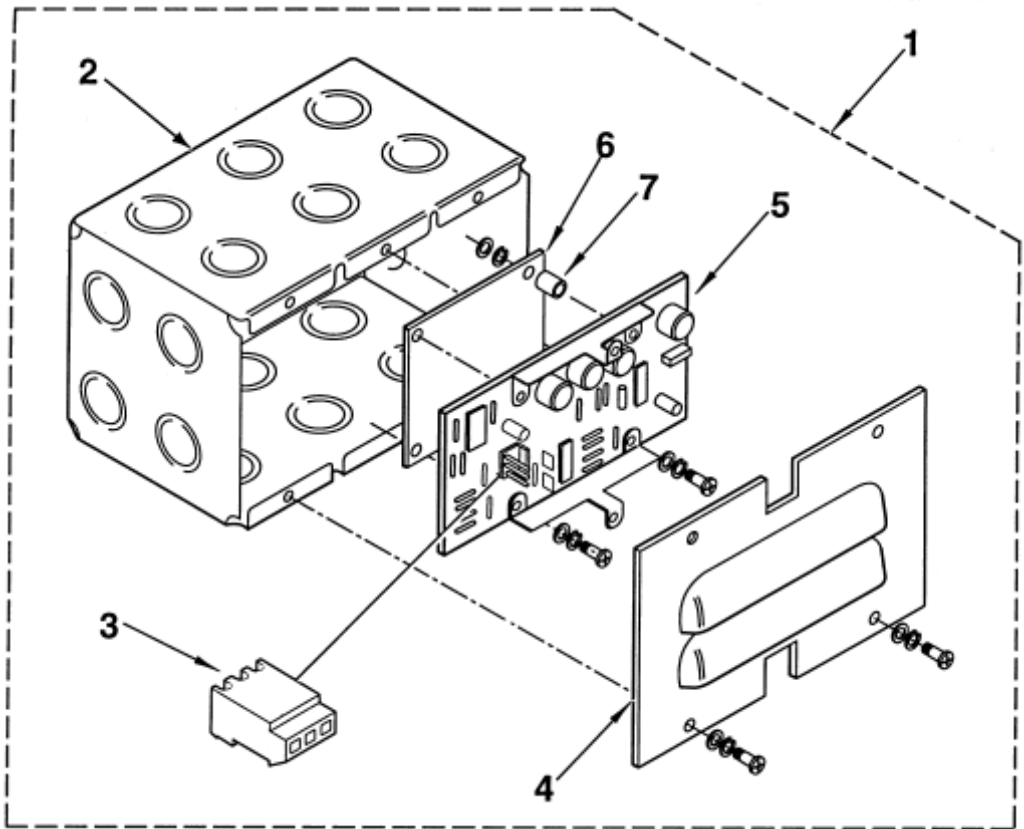
Supersedes Data on Page 11 of SPL C-3032A Dated: November 1984  
February 1997

Page 1



**SPL 31-7003AP - Fixture - Part Advanced & Modular, Top-of-car Gong Assembly**

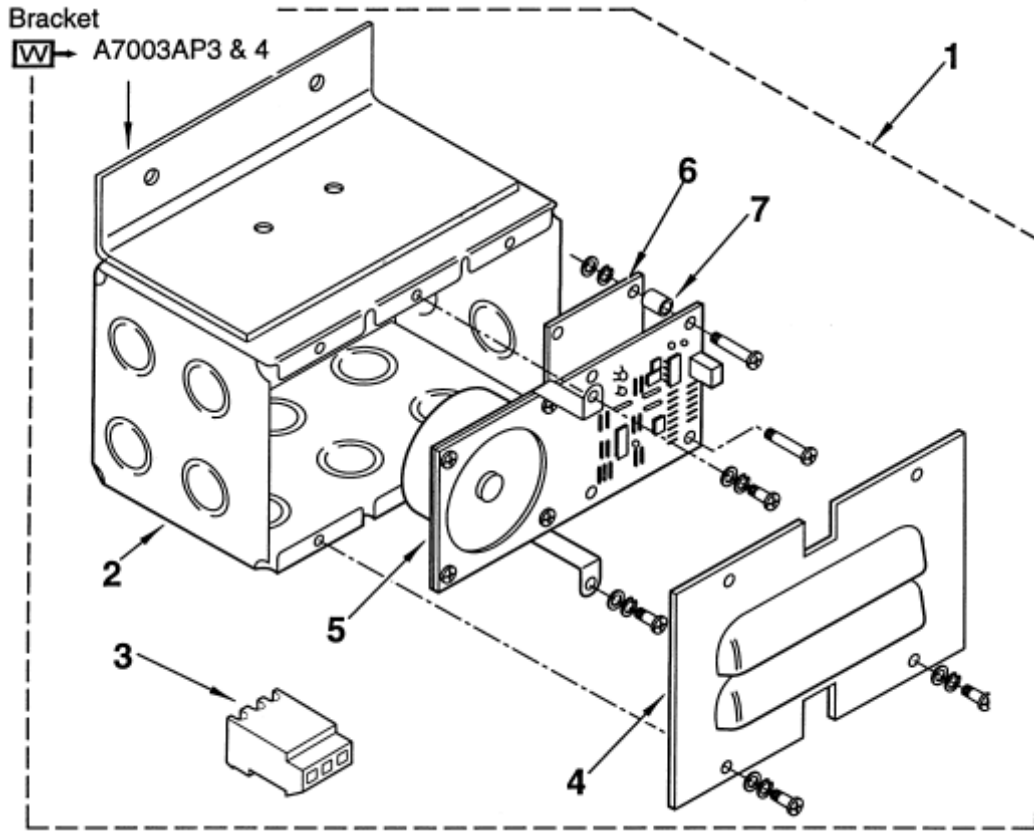
**Page 2 - TYPE 7003AP ASSEMBLY ORIGINAL ADVANCED FIXTURE W/CHIME TONE SOUNDERS**



REF. No.	W/O VINTAGE PART OR ML	DESCRIPTION
1	7003AP4	Assembly, Top-of-Car Gong (Advanced-E401 Fixture) w/o Ref. 6
	A7003AP1	See Also Page 3
2	7003AP2	Assembly, Top-of-Car Gong (Advanced w/Power Buffer) w/Ref.. 6
	A7003AP2	See Also Page 3
3	309BN1	Box, Electrical, Three-Gang w/o Grounding Hardware (Shown)
	309BN11	Box, Electrical, Three-Gang w/Grounding Hardware
4	AAA447AC5	Connector, Three Position, Feed-Thru, 18AWG
5	346AMH1	Cover
6	8200HA1	PC Board, Gong
7	C8121BB1	PC Board, Semi-Conductor Switch, Used with 7003AP2
7	354CB1	Standoff, Nylon, 3/16 in. Outside diameter x 0.125 in. L, Used with 7003AP1
	P462FM11	Standoff, 0.25 in. Outside diameter x 0.3125 in. L, Used with 7003AP2
	354CD5	

**SPL 31-7003AP - Fixture - Part Advanced & Modular, Top-of-car Gong Assembly**

**Page 3 - TYPE A7003AP ASSEMBLY ADVANCED FIXTURE W/CHIME GENERATOR & SPEAKER**



REF. No.	VINTAGE Y 01 PART OR ML	DESCRIPTION
1	A7003AP1	Assembly, Top-of-Car Gong (Advanced- E401 Fixture) w/o Ref. 6
	A7003AP2	Assembly, Top-of-Car Gong (Advanced-W/Power Buffer) w/Ref. 6
	A7003AP3	Assembly, Top-of-Car Gong = A7003AP1 + Bracket
	A7003AP4	Assembly, Top-of-Car Gong = A7003AP2 + Bracket
2	309BN1	Box, Electrical, Three-Gang w/o Grounding Hardware
	309BN11	Box, Electrical, Three-Gang w/o Grounding Hardware
3	AAA447AC3	Connector, Four Position, Feed-Thru, 18AWG, Used with A7003AP2 & 4
	AAA447AC5	Connector, Three Position, Feed-Thru, 18AWG, Used with A7003AP1 &
4	346AMH1	Cover
5	A8200BE1	PC Board, Gong
6	C8121BB1	PC Board, Semi-Conductor Switch, Used with A7003AP2 & 4
7	354CD5	Standoff, 0.25 in. Outside diameter x 0.3125 in. L, Used with A7003AP2 & 4

