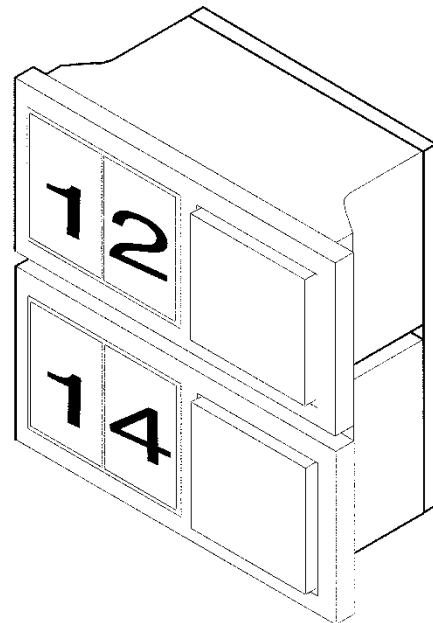
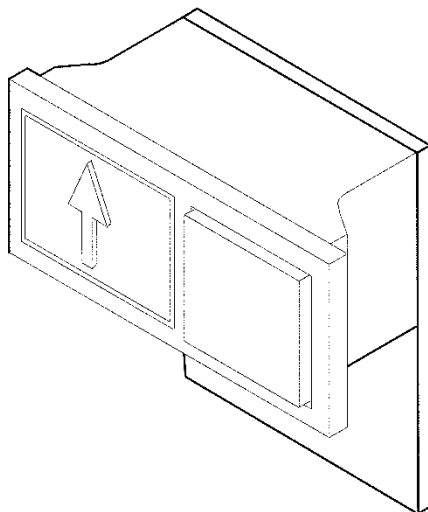


**Advanced Fixtures:  
Call Buttons for Car  
Operating & Hall Panels  
with Modular Control  
Remote Stations**

**Spare Parts Leaflet**

**31-7069BF**

**August 14, 2024 / Page 1 of 12**



**OTIS**

This document does not contain any  
technical data subject to EAR or ITAR

**SERVICE ENGINEERING  
Otis Elevator Company  
Bloomfield, Connecticut USA**

Unpublished Work—© Otis Elevator Co.; 2024

# History

**31-7069BF**

## Leaflet Description

This group of buttons compliments ADFIX type buttons described in SPL 31-7069AF, which provides component application data for most of the parts used here. This SPL covers the addition of PC boards with Remote Station (RS) capability and arrangements for two-button modules.

## Leaflet Revisions

Date Revised	Subject Matter Expert	Reason for Revision
August 1997	- - -	Updated January 1993 version.
August 12, 2005	Joseph Zych	Corrected PCB parts on p. 3–4.
November 16, 2011	Joseph Zych	Corrected housing part numbers on p. 11
May 17, 2023	Vadzim Fedarenka	Updated history page; Added notes** on p. 4, 7, and 9; Replaced PCB on p. 3–9
August 14, 2024	Vadzim Fedarenka	Added notes and PC board images on p. 3–9.

## Related Drawings

Drawing No.	Title	Drawing No.	Title
7069BF	Button Module Assembly, Arrangement, Module Control	AAA26800UG	Remote RS3 and RS3A w/Led PC-Board Assembly

## Related Documents

Document ID	Title
SPL 31-7069AF	Advanced Fixtures: Component Fixtures for Car Operating & Hall Panels
SPL 31-250D	Advanced Fixtures: Graphic Inserts
SPL 31-AAA250G	Advanced Fixtures: Graphic Inserts

## Subject Matter Expert

Name	Department
Vadzim Fedarenka	OSC Service Engineering

## About Spare Parts Leaflets...

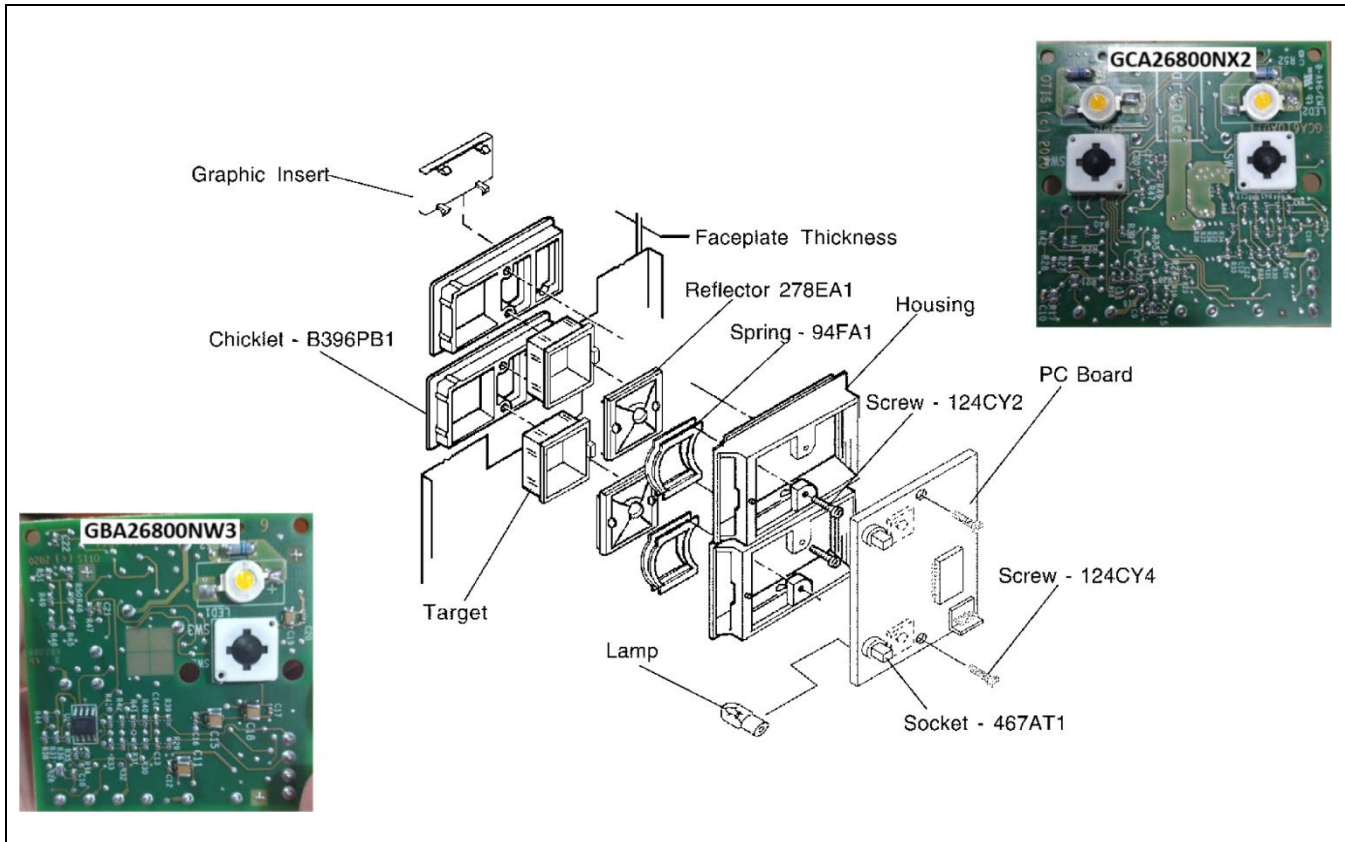
This document lists the lowest replaceable units (LRUs) for the standard version of the product. The LRUs are chosen by a team of Otis associates representing engineering and manufacturing.

While goal of this document is to make parts identification as easy as possible, the document cannot be all-inclusive. Elevator and escalator contracts classified as “special” or “custom” are not addressed here. For such contracts, please refer to specified information, the contract folder, TIPs, Field Education Articles, Construction Letters, etc. for further information.

If you have any suggestions about this document, please contact the subject matter expert listed on this page.

# Two/One-Button Module w/Remote Station & Housing, Hall Panel & Flat COP Applications

**31-7069BF**



BUTTON MODULE	FACEPLATE (mm/in.)	GRAPHIC INSERT	HOUSING	PC BOARD	TARGET	LAMP
7069BF5 & 6 COP Floor Buttons (ETO)	1.5 / 0.060	Select from SPL 31-250D	396KJ2	B9693C3 GBA26800NW3 (RS3A) <b>NOTE 2</b>		
7069BF17 Intermediate Hall Buttons	1.0 / 0.040	250E25 (UP) 250E26 (DN)	396KJ1	B9693C2 GCA26800NX2 (RS3) <b>NOTE 2</b>	323DA1 (Flush)	424R1 (Incand.) <b>NOTE 1</b>
7069BF20 Intermediate Hall Buttons	3.2 / 0.125	250E25 (UP) 250E26 (DN)	396KJ4			
7069BF24 Intermediate Hall Buttons	1.0 / 0.040	250E25 (UP) 250E26 (DN)	396KJ1			
7069BF25 COP Floor Buttons	3.2 / 0.125	Select from SPL 31-250D or SPL 31-AAA250G	396KJ4	323DA5 (Raised)		

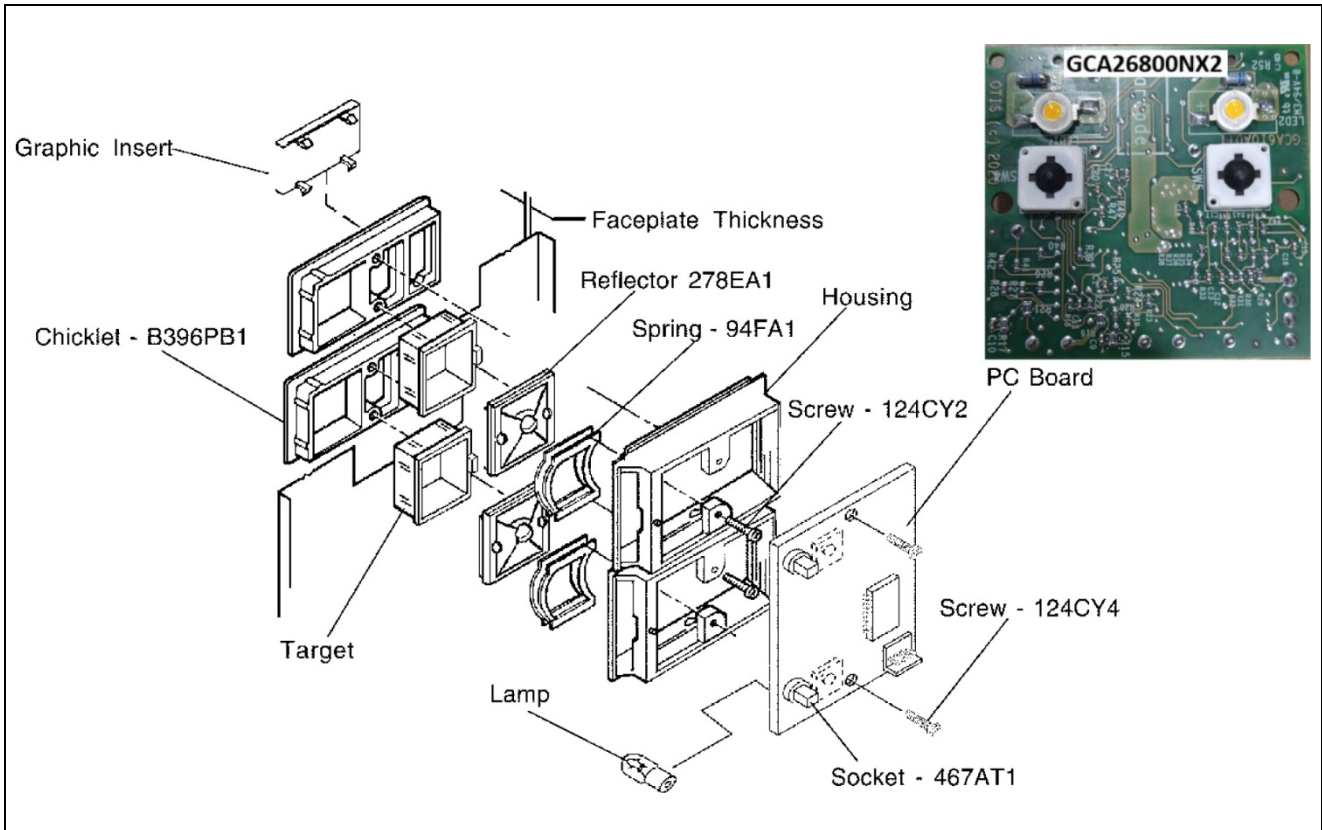
**NOTE 1.** Fixtures equipped with original PC boards (B9693C2 & C3) may order AAA629AY17 (incandescent), AY1 (yellow), AY2 (red), or AY3 (orange) lamp as a replacement of 424R1.

**NOTE 2.** Replacement GBA26800NW3 & GCA26800NX2 PC boards come with integrated LED(s).

(Continued on next page)

# Two-Button Module w/Remote Station & Housing, Hall Panel & Flat COP Applications

**31-7069BF**



BUTTON MODULE	FACE-PLATE (mm/in.)	GRAPHIC INSERT	HOUSING	PC BOARD	TARGET	LAMP
7069BF30 (with Braille) Intermediate Hall Buttons	1.0 / 0.040	AAA250G1-UPARROW AAA250G1-DNARROW	396KJ1	B9693C2 GCA26800NX2 (RS3) <b>NOTE 2</b>	323DA5 (Raised)	424R1 (Incand.) <b>NOTE 1</b>
7069BF33 (with Braille) Intermediate Hall Buttons	3.2 / 0.125	AAA250G1-UPARROW AAA250G1-DNARROW	396KJ4			
7069BF36 (w/Braille & LED) Intermediate Hall Buttons	1.0 / 0.040	AAA250G1-UPARROW AAA250G1-DNARROW	396KJ1	AAA26800UG1 GCA26800NX2 (RS3) <b>NOTE 2</b>	323DA5 (Raised)	AAA629AY17 Red/Green LED <b>NOTE 1</b>
7069BF39 (with LED) Intermediate Hall Buttons	1.0 / 0.040	250E25 (UP) 250E26 (DN)	396KJ1			

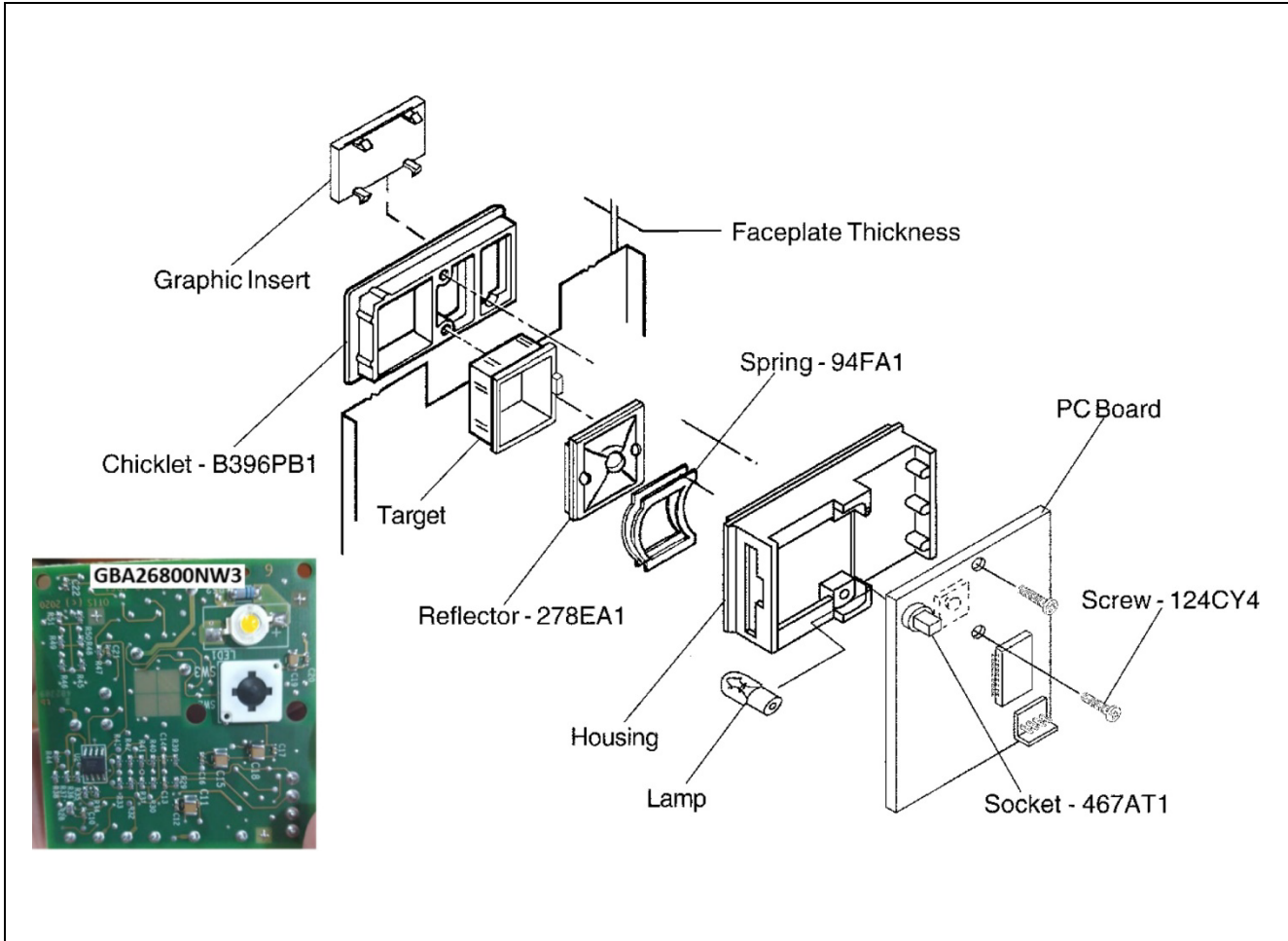
**NOTE 1.** Fixtures equipped with original PC board (B9693C2 & C3) may order AAA629AY17 (incandescent), AY1 (yellow), AY2 (red), or AY3 (orange) lamp as a replacement of 424R1.

**NOTE 2.** Replacement GCA26800NX2 PC board comes with integrated LED(s).

(Continued on next page)

# One-Button Module w/Remote Station & Housing, Hall Panel & Flat COP Applications

**31-7069BF**



<b>BUTTON MODULE</b>	<b>FACEPLATE (mm/in.)</b>	<b>GRAPHIC INSERT</b>	<b>HOUSING</b>	<b>PC BOARD</b>	<b>TARGET</b>	<b>LAMP</b>
7069BF7 COP Floor Button (ETO)	1.5 / 0.060	Select from SPL 31-250D	396KJ2	B9693C3 GBA26800NW3 (RS3A) <b>NOTE 2</b>	323DA1 (Flush)	424R1 (Incand.) <b>NOTE 1</b>
7069BF13 Up Hall Button	1.0 / 0.040	250E25 (UP)	396KJ1			
7069BF15 Down Hall Button	1.0 / 0.040	250E26 (DN)	396KJ1			
7069BF18 Up Hall Button	3.2 / 0.125	250E25 (UP)	396KJ4			
7069BF19 Down Hall Button	3.2 / 0.125	250E26 (DN)	396KJ4			

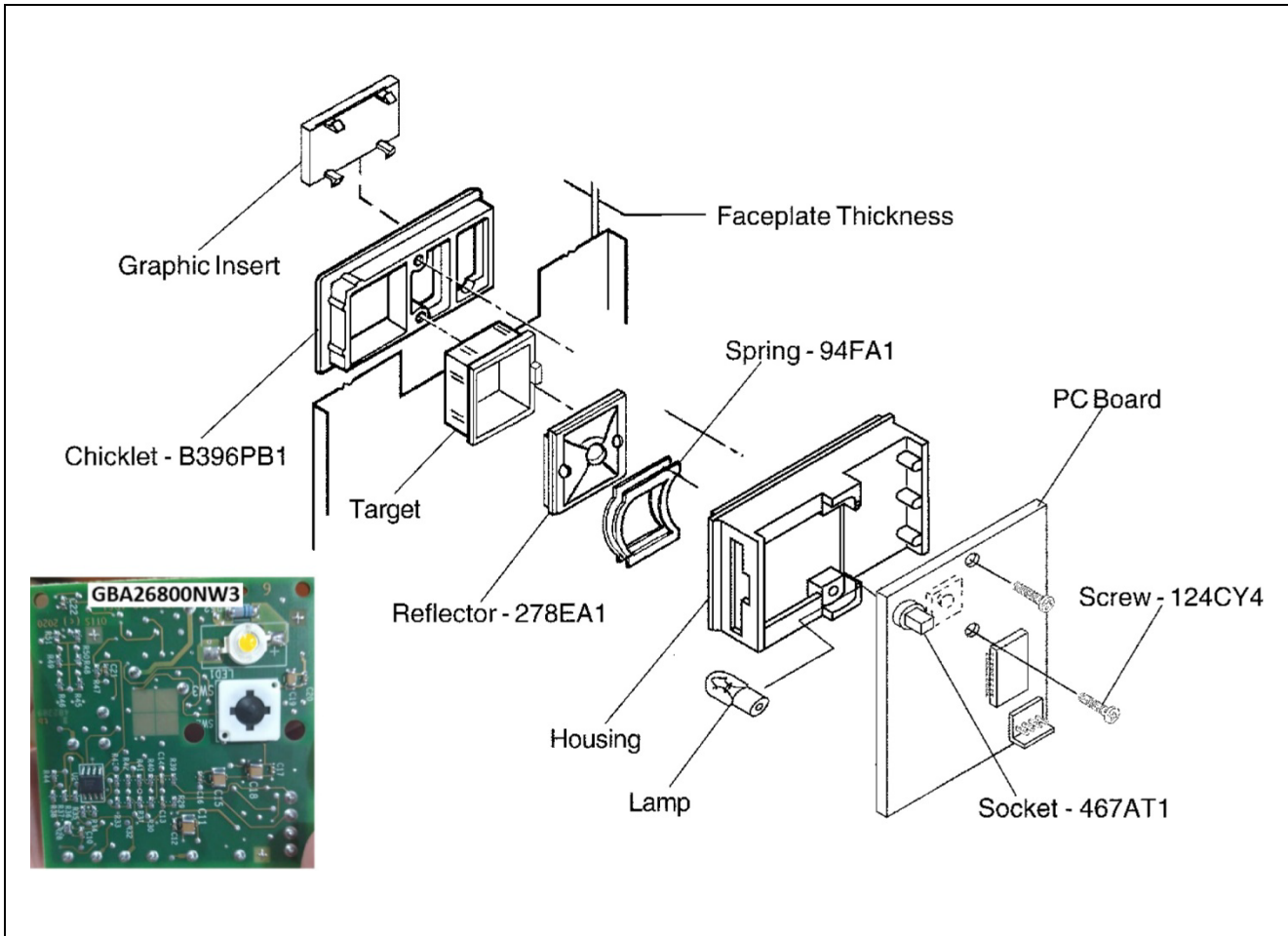
**NOTE 1.** Fixtures equipped with original PC board (B9693C2 & C3) may order AAA629AY17 (incandescent), AY1 (yellow), AY2 (red), or AY3 (orange) lamp as a replacement of 424R1.

**NOTE 2.** Replacement GBA26800NW3 PC-Board comes with integrated LED(s).

(Continued on next page)

# One-Button Module w/Remote Station & Housing, Hall Panel & Flat COP Applications

**31-7069BF**



BUTTON MODULE	FACEPLATE (mm/in.)	GRAPHIC INSERT	HOUSING	PC BOARD	TARGET	LAMP
7069BF22 Up Hall Button	1.0 / 0.040	250E25 (UP)	396KJ1	B9693C3 GBA26800NW3 (RS3A) <b>NOTE 2</b>	323DA5 (Raised)	424R1 (Incand.) <b>NOTE 1</b>
7069BF23 Down Hall Button	1.0 / 0.040	250E26 (DN)	396KJ1			
7069BF26 COP Floor Button	3.2 / 0.125	Select from SPL 31-250D <b>or</b> SPL 31-AAA250G	396KJ4			
7069BF28 (with Braille) Up Hall Button	1.0 / 0.040	AAA250G1-UPARROW	396KJ1			
7069BF29 (with Braille) Down Hall Button	1.0 / 0.040	AAA250G1-DNARROW	396KJ1			

**NOTE 1.** Fixtures equipped with original PC board (B9693C2 & C3) may order AAA629AY17 (incandescent), AY1 (yellow), AY2 (red), or AY3 (orange) lamp as a replacement of 424R1.

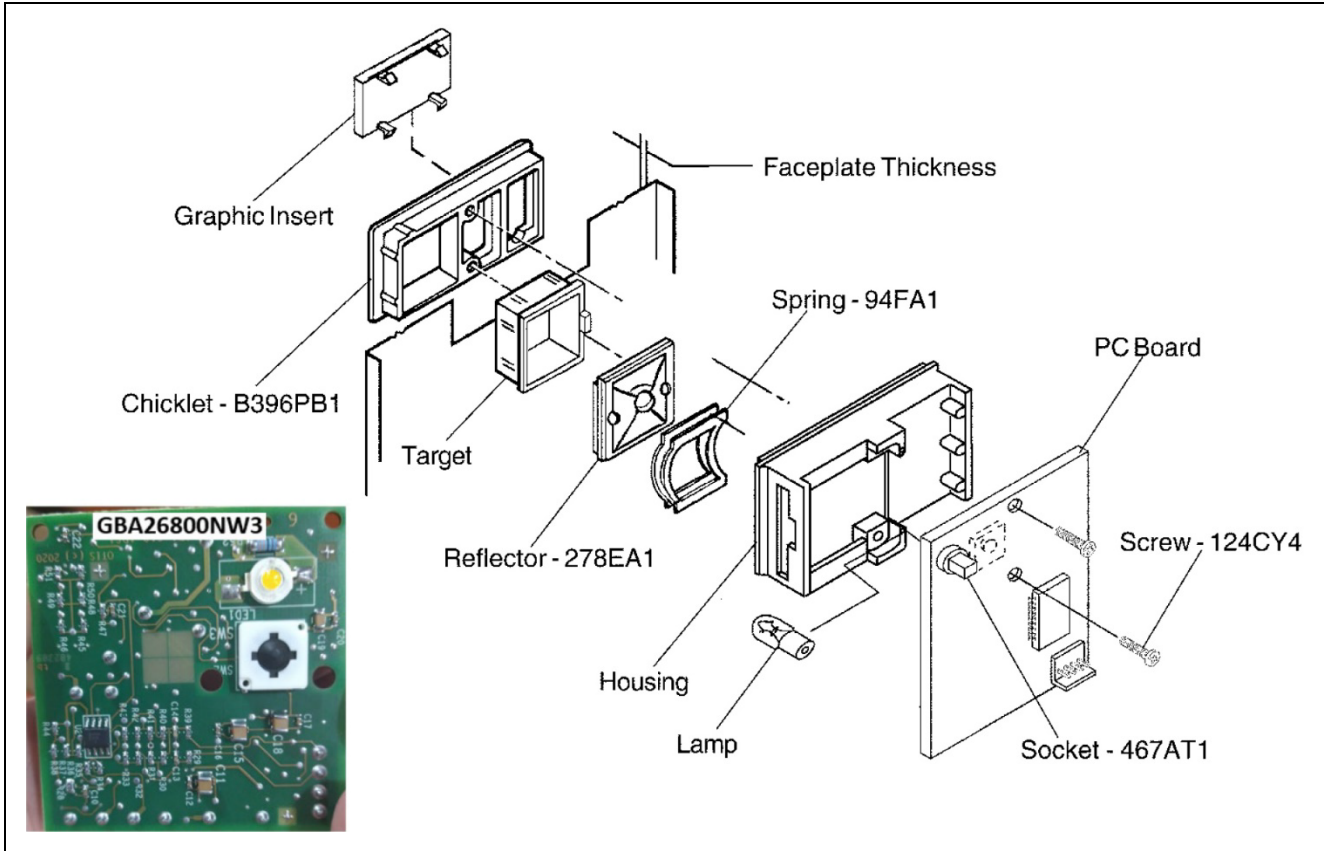
**NOTE 2.** Replacement GBA26800NW3 PC board comes with integrated LED(s).

(Continued on next page)



# One-Button Module w/Remote Station & Housing, Hall Panel & Flat COP Applications

**31-7069BF**



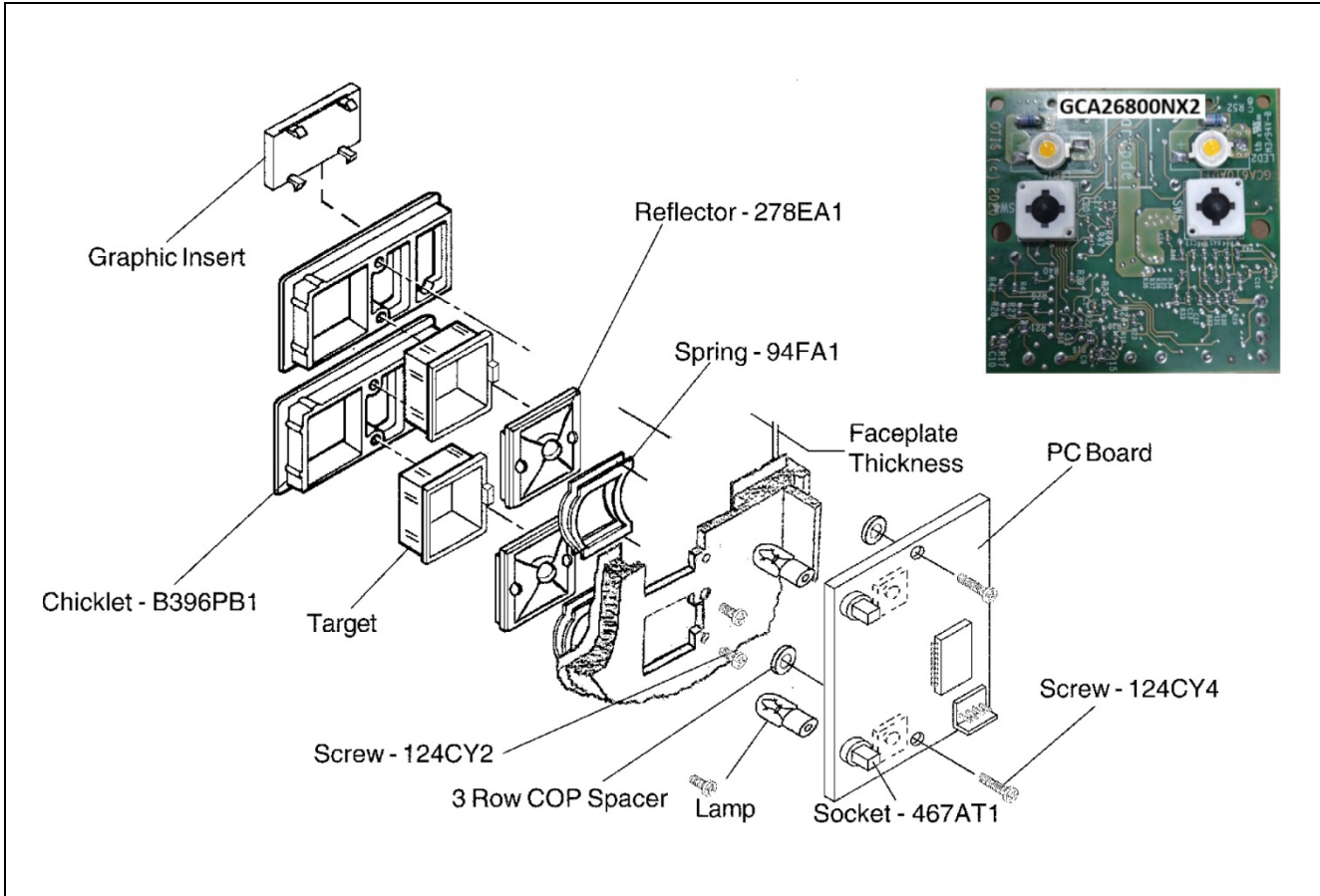
BUTTON MODULE	FACEPLATE (mm/in.)	GRAPHIC INSERT	HOUSING	PC BOARD	TARGET	LAMP
7069BF31 Up Hall Button	3.2 / 0.125	AAA250G1-UPARROW	396KJ4	B9693C3		424R1 (Incand.)
7069BF32 Down Hall Button	3.2 / 0.125	AAA250G1-DNARROW	396KJ4	GBA26800NW3 (RS3A) <b>NOTE 2</b>		<b>NOTE 1</b>
7069BF34 Up Hall Button	1.0 / 0.040	AAA250G1-UPARROW	396KJ1			
7069BF35 Down Hall Button	1.0 / 0.040	AAA250G1-DNARROW	396KJ1		323DA5 (Raised)	
7069BF37 Up Hall Button	1.0 / 0.040	250E25 (UP)	396KJ1	AAA26800UG2 GBA26800NW3 (RS3A) <b>NOTE 2</b>		AAA629AY17 Red/Green LED <b>NOTE 1</b>
7069BF38 Down Hall Button	1.0 / 0.040	250E26 (DN)	396KJ1			

**NOTE 1.** Fixtures equipped with original PC board (B9693C2 & C3) may order AAA629AY17 (incandescent), AY1 (yellow), AY2 (red), or AY3 (orange) lamp as a replacement of 424R1.

**NOTE 2.** Replacement GBA26800NW3 PC-Board comes with integrated LED(s).

# Two-Button Module w/Remote Station, Molded COP Applications

**31-7069BF**



BUTTON MODULE	FACE-PLATE (mm/in.)	GRAPHIC INSERT	SPACER	PC BOARD	TARGET	LAMP
7069BF1 (Same as 7069BF2) 2-Row COP Floor Button	1.0 / 0.040	Select from SPL 31-250D or SPL 31-AAA250G	N/A	B9693C2 GCA26800NX2 (RS3) <b>NOTE 2</b>	323DA1 (Flush)	424R1 (Incand.) <b>NOTE 1</b>
7069BF2 (Same as 7069BF1) 2-Row COP Floor Button	1.0 / 0.040		N/A			
7069BF9 (Same as 7069BF10) 3-Row COP Floor Button	1.0 / 0.040		462GV3			
7069BF10 (Same as 7069BF9) 3-Row COP Floor Button	1.0 / 0.040		462GV3			
7069BF14 3-Row COP Floor Button	1.0 / 0.040		462GV3			

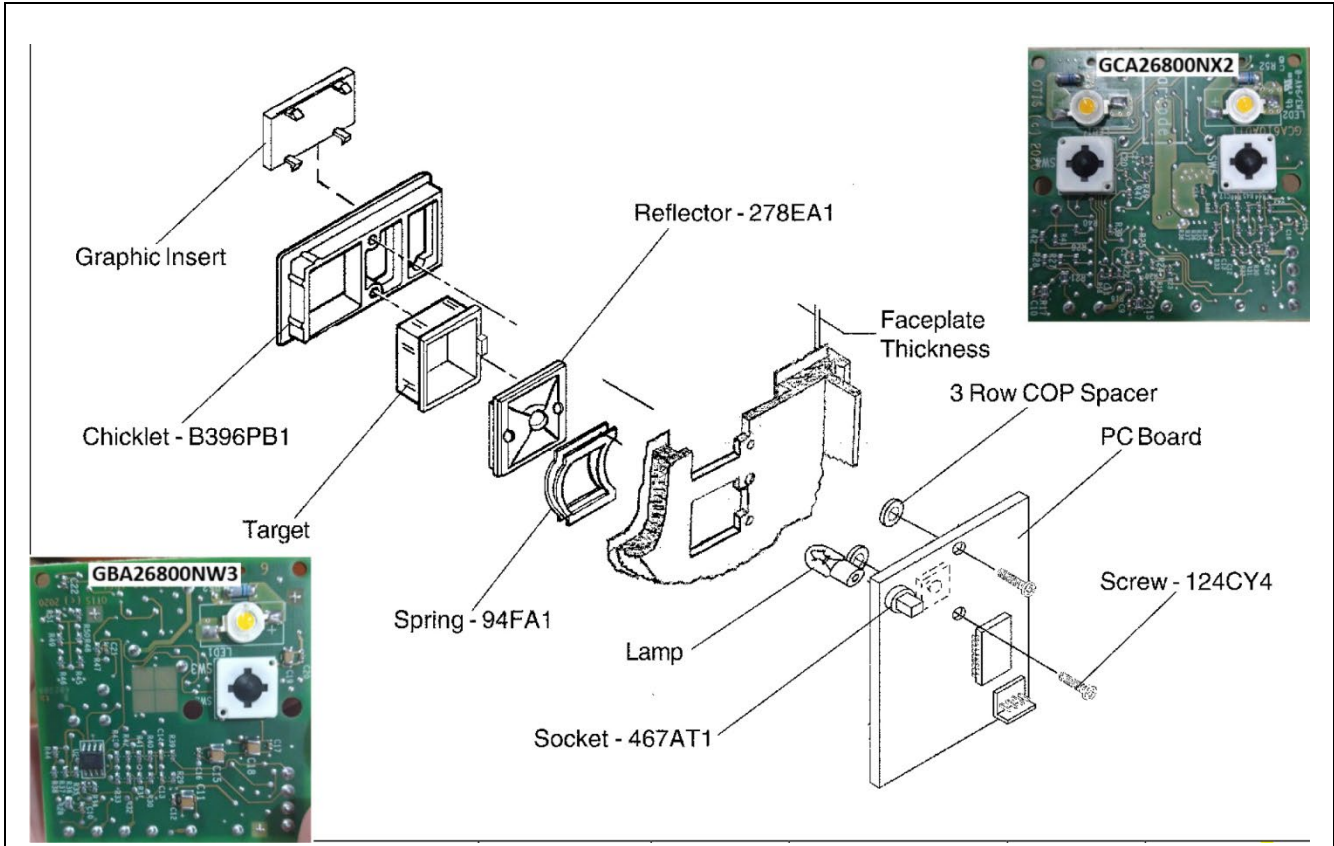
**NOTE 1.** Fixtures equipped with original PC board (B9693C2 & C3) may order AAA629AY17 (incandescent), AY1 (yellow), AY2 (red), or AY3 (orange) lamp as a replacement of 424R1.

**NOTE 2.** Replacement GCA26800NX2 PC board comes with integrated LED(s).



# Two/One-Button Module w/Remote Station, Molded COP Applications

**31-7069BF**



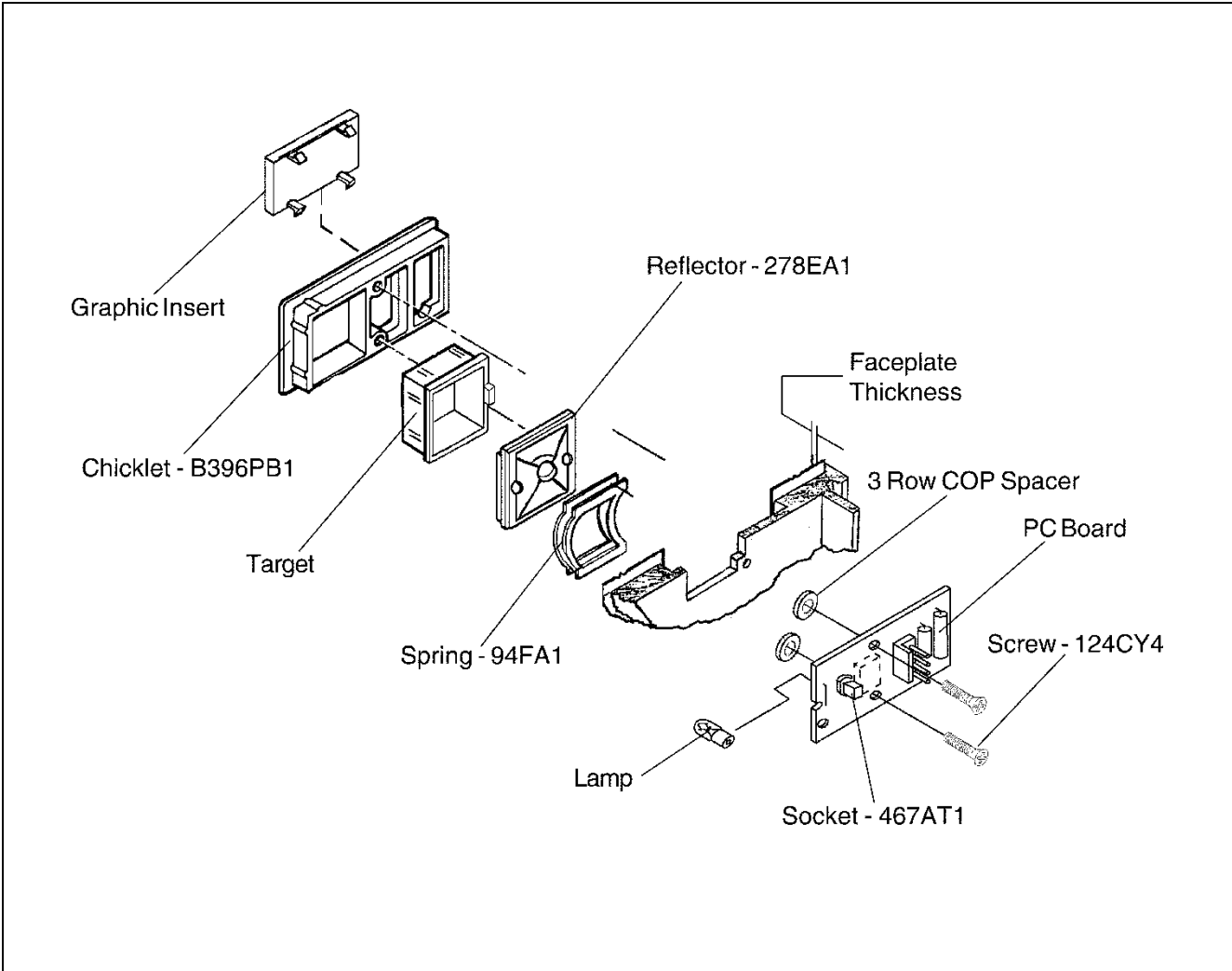
BUTTON MODULE	FACE-PLATE (mm/in.)	GRAPHIC INSERT	SPACER	PC BOARD	TARGET	LAMP
7069BF40 (w/LED) 2-Row COP Floor Button	1.0 / 0.040	Select from SPL 31-250D or SPL 31-AAA250G	N/A	AAA26800UG1 GCA26800NX2 (RS3) <b>NOTE 2</b>	323DA5 (Raised)	AAA629AY17 Red/Green LED <b>NOTE 1</b>
7069BF3 2-Row COP Floor Button	1.0 / 0.040		N/A	B9693C3 GBA26800NW3 (RS3A) <b>NOTE 2</b>	323DA1 (Flush)	424R1 (Incand.) <b>NOTE 1</b>
7069BF11 3-Row COP Floor Button	1.0 / 0.040		462GV3		323DA5 (Raised)	AAA629AY17 Red/Green LED <b>NOTE 1</b>
7069BF16 3-Row COP Floor Button	1.0 / 0.040		462GV3			
7069BF41 (w/ LED) 2-Row COP Floor Button	1.0 / 0.040		N/A	AAA26800UG2 GBA26800NW3 (RS3A) <b>NOTE 2</b>		

**NOTE 1.** Fixtures equipped with original PC boards (B9693C2 & C3) may order AAA629AY17 (incandescent), AY1 (yellow), AY2 (red), or AY3 (orange) lamp as a replacement of 424R1.

**NOTE 2.** Replacement GBA26800NW3 & GCA26800NX2 PC boards come with integrated LED(s).

# One-Button Module w/o Remote Station, Molded COP Applications

**31-7069BF**

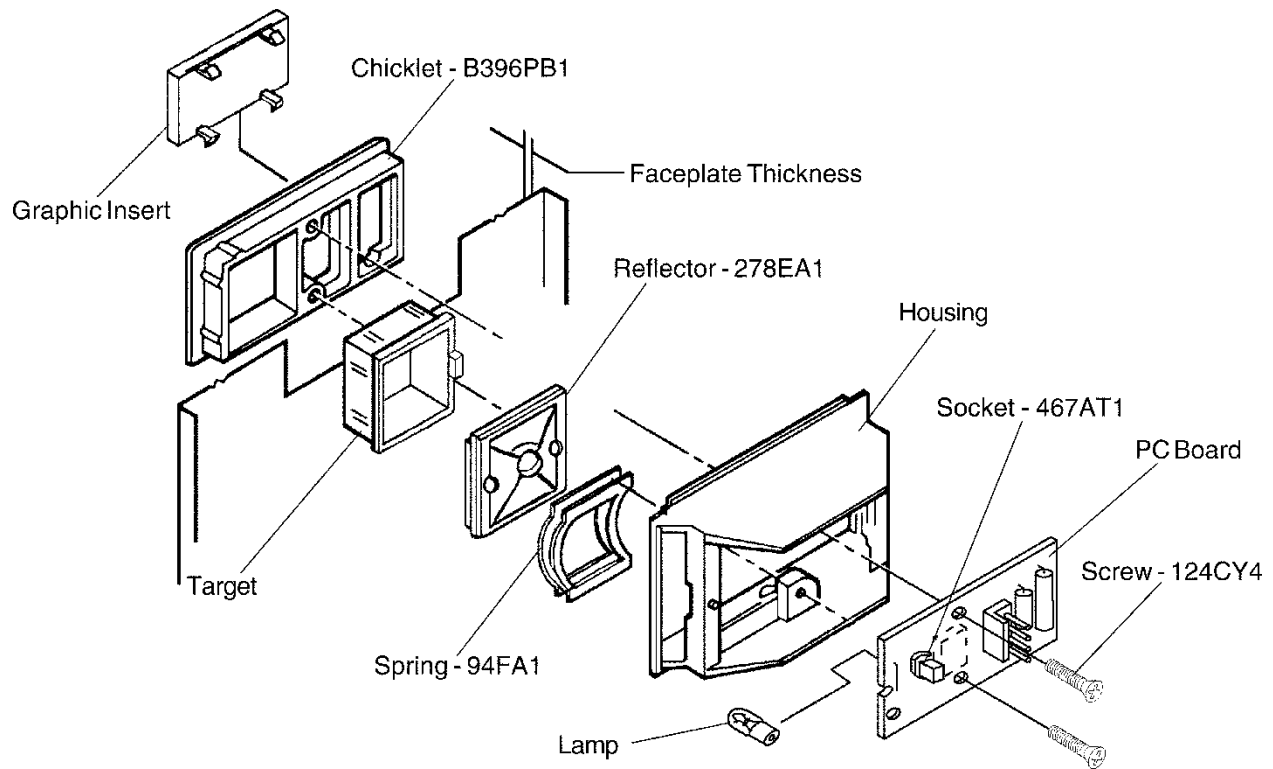


<b>BUTTON MODULE</b>	<b>FACEPLATE (mm/in.)</b>	<b>GRAPHIC INSERT</b>	<b>SPACER</b>	<b>PC BOARD</b>	<b>TARGET</b>	<b>LAMP*</b>
7069BF4 2-Row COP Floor Button	1.0 / 0.040	Select from SPL 31-250D or SPL 31-AAA250G	N/A	8200KA2	323DA1 (Flush)	424R1 (Incand.)
7069BF12 3-Row COP Floor Button	1.0 / 0.040		462GV3	8200KA2	323DA1 (Flush)	424R1 (Incand.)
7069BF21 3-Row COP Floor Button	1.0 / 0.040		462GV3	8200KA2	323DA5 (Raised)	424R1 (Incand.)
7069BF42 (with LED) 2-Row COP Floor Button	1.0 / 0.040		N/A	AAA26800PZ2 (w/ LED)	323DA5 (Raised)	Replace PCB

\* 424R1 incandescent lamps can be replaced by AAA629AY17 if simulated incandescent color is acceptable. Other available LED colors are AAA629AY1 = Yellow, AY2 = Red, AY3 = Orange.

# Type 7069AF Button Assemblies

**31-7069BF**

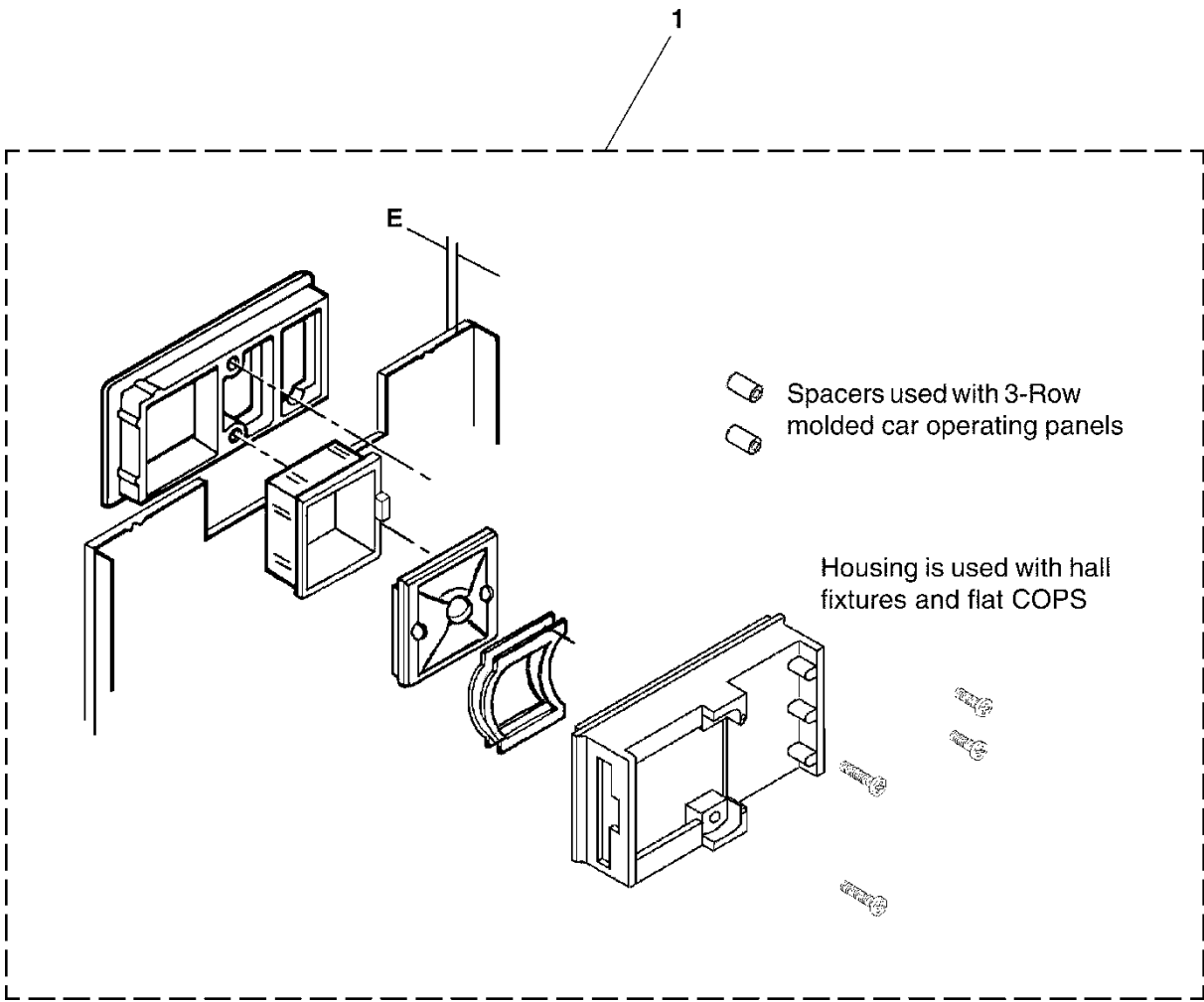


BUTTON MODULE	FACEPLATE (mm/in.)	GRAPHIC INSERT	HOUSING	PC BOARD	TARGET	LAMP*
7069AF8 Flat COP Floor Button	1.5 / 0.060	Select from SPL 31-250D or SPL 31-AAA250G	396VB1	8200KA2	323DA1 (Flush)	424R1 (Incand.)
7069AF27 Flat COP Floor Button	3.2 / 0.125		396VB2	8200KA2	323DA5 (Raised)	424R1 (Incand.)

\* 424R1 incandescent lamps can be replaced by AAA629AY17 if simulated incandescent color is acceptable. Other available LED colors are AAA629AY1 = Yellow, AY2 = Red, AY3 = Orange.

# Type 7069AF Button Kit Assemblies

**31-7069BF**



W/O VINTAGE					
REF. No.	PART No.	DESCRIPTION	TARGET COLOR	APPLICATION	
1	2700CAK1	Kit, Button, w/o Housing	White	Car	MRQ
	2700CAK2	Kit, Button, E = 1.0 mm	White	Hall	
	2700CAK15	Kit, Button, Calif. Code, w/o Housing	White	Car	
	2700CAK16	Kit, Button, Calif. Code, E = 1.0 mm	White	Hall	
	2700CAK17	Kit, Button, E = 3.2 mm	White	Hall	
	2700CAK18	Kit, Button, Calif. Code, E = 3.2 mm	White	Hall	