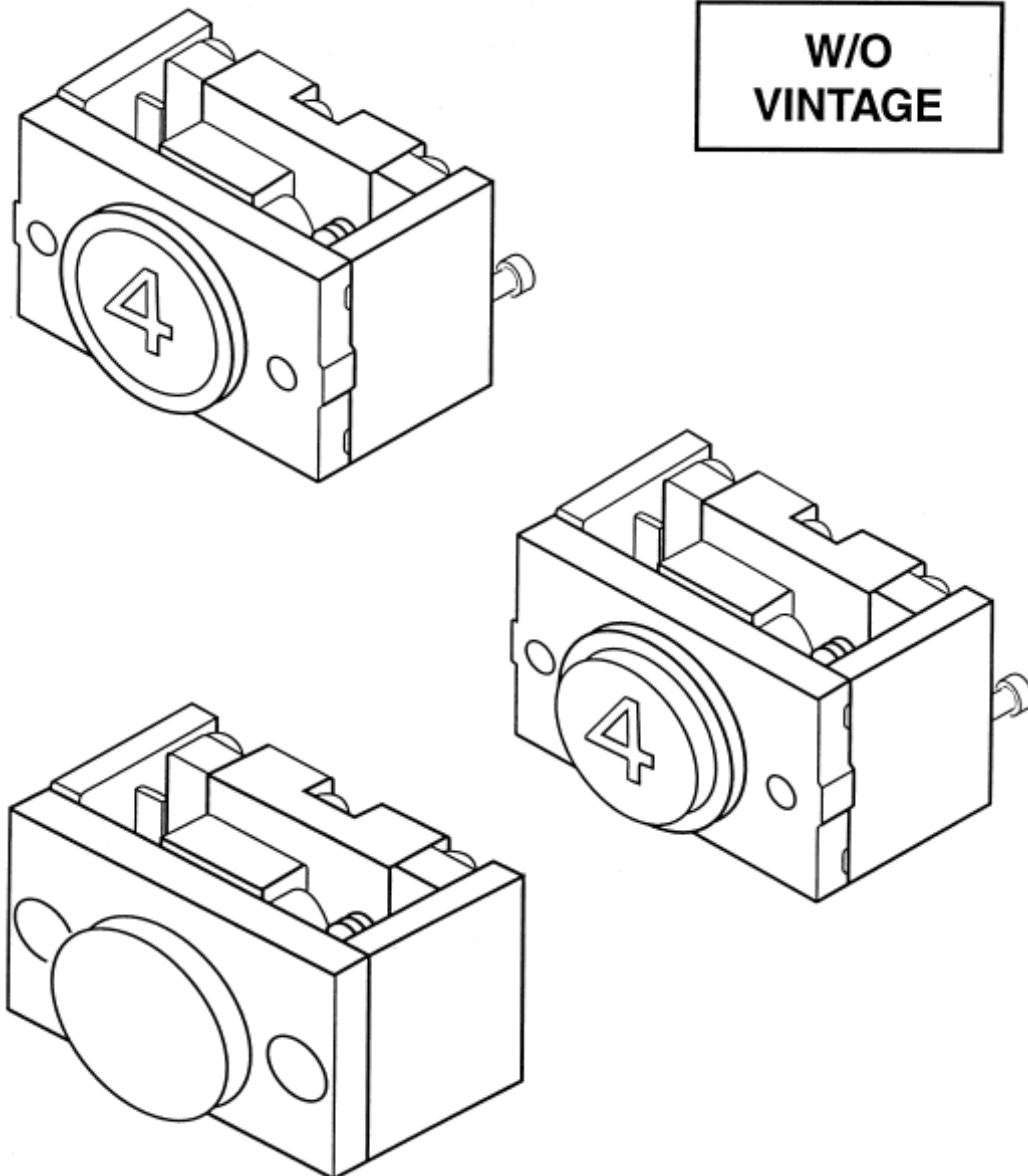


SPL 31-7069Y - Illuminated Button Assemblies

Unpublished Work - © Otis Elevator Company. Any unauthorized reproduction, disclosure, or distribution of copies or content by any person of any portion of this work may be a violation of Copyright Law of the United States of America. All rights reserved.

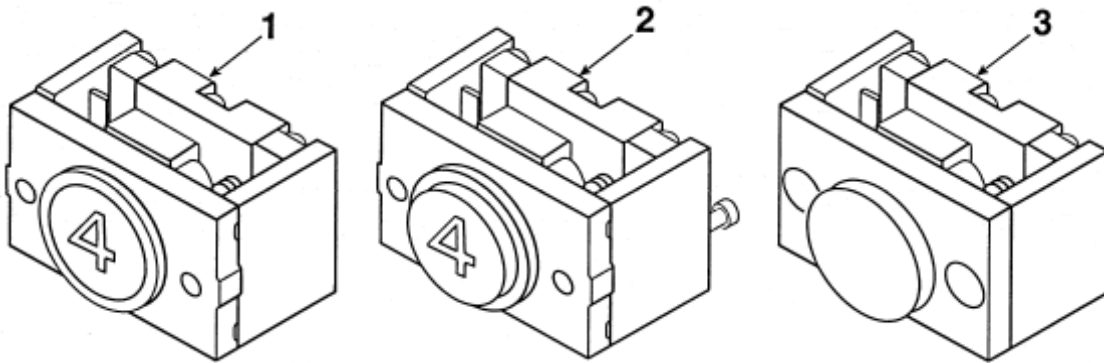
Supersedes SPL 31-7069Y Dated March 1995
January 1997

Page 1



SPL 31-7069Y - Illuminated Button Assemblies

Page 2

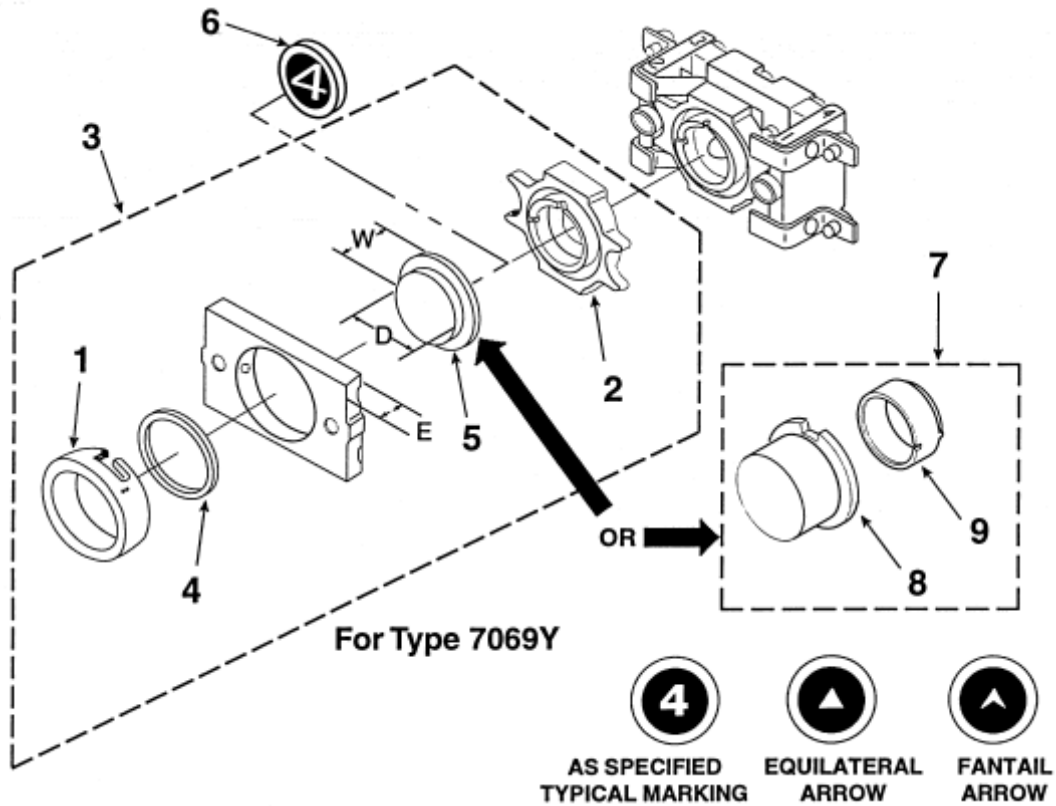


REF. No.	W/O VINTAGE		DESCRIPTION			
	PART OR ML	INSERT MARKING	APPLICA-TION	LAMP VOLTS	BUTTON TYPE	SWITCH CONTACTS
1	7069Y1-*	As Specified	Car	120	Standard	2 NO
	7069Y2	Equilateral Arrow	Hall			
	7069Y3	Fantail Arrow	Hall			
	7069Y4-*	As Specified	-----	None		2 NO,2 NC
	7069Y5	Blank	Car			None
	7069Y6-*	As Specified	Car	28		2 NO
	7069Y7-*	As Specified	Car	35		
	7069Y8	Equilateral Arrow	Hall			
	7069Y9	Fantail Arrow	Hall			
2	7069Y11-*	As Specified	Car	120	American with Disabilities Act	2 NO
	7069Y12	Equilateral Arrow	Hall			
	7069Y13	Fantail Arrow	Hall			
	7069Y14-*	As Specified	-----	None		2 NO,2 NC
	7069Y15	Blank	Car			None
	7069Y16-*	As Specified	Car	28		2 NO
	7069Y17-*	As Specified	Car	35		
	7069Y18	Equilateral Arrow	Hall			
7069Y19	Fantail Arrow	Hall				
3	AAA7069BM1-*	As Specified	Car/Hall	120	California Handicap	2 NO
	AAA7069BM2-*	As Specified	Car			2 NO,2 NC
	AAA7069BM3-*	Blank	Car	None		None
	AAA7069BM4-*	As Specified	Car	28		2 NO

*Specify the desired insert/button marking following the dash (-).
 NO = Normal Open; NC = Normal Closed

SPL 31-7069Y - Illuminated Button Assemblies

Page 3

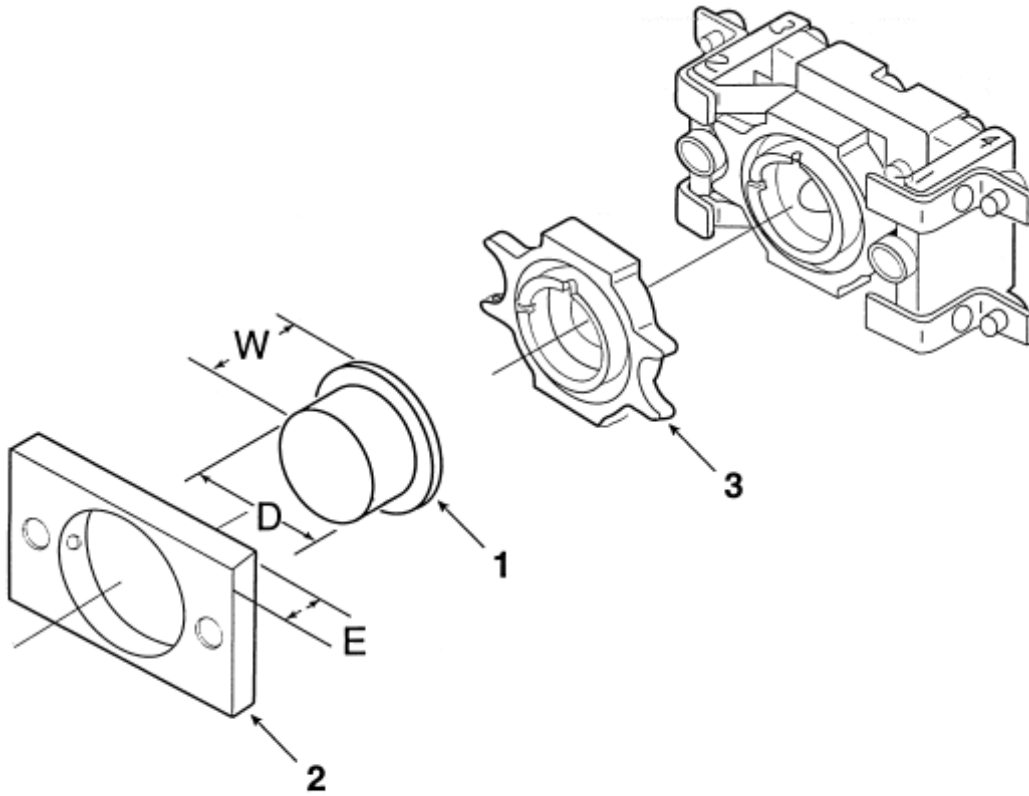


REF. No.	W/O VINTAGE PART OR ML	DESCRIPTION
1	A306MK1	Base (Light Ring)
2	306MM1	Base
3	7069Y5	Button Kit w/Blank (Black) Insert, w/o Switch
4	462GR1	Spacer (Used with Faceplates 14GA (.075) THK. or Less)
5	323CK1	Button, Standard, D = 1.0 in, W = 0.38 in
6	250C1-*	Insert, Marked: As Specified
	250C2	Insert, Marked: Equilateral Arrow
	250C3	Insert, Marked: Fantail Arrow
7	2700AEA1	Kit, American w/Disabilities Act Type 7069Y Button Retrofit. NOTE: Discard button P/N, 323CK1, when using this kit.
8	CAA323B1	Button
9	CAA323B2	Spacer
10	386BNM1	Plate, E = 0.28 in.

*Specify Marking, Example: 250C1-10, 250C1-Emerg. Call

SPL 31-7069Y - Illuminated Button Assemblies

Page 4



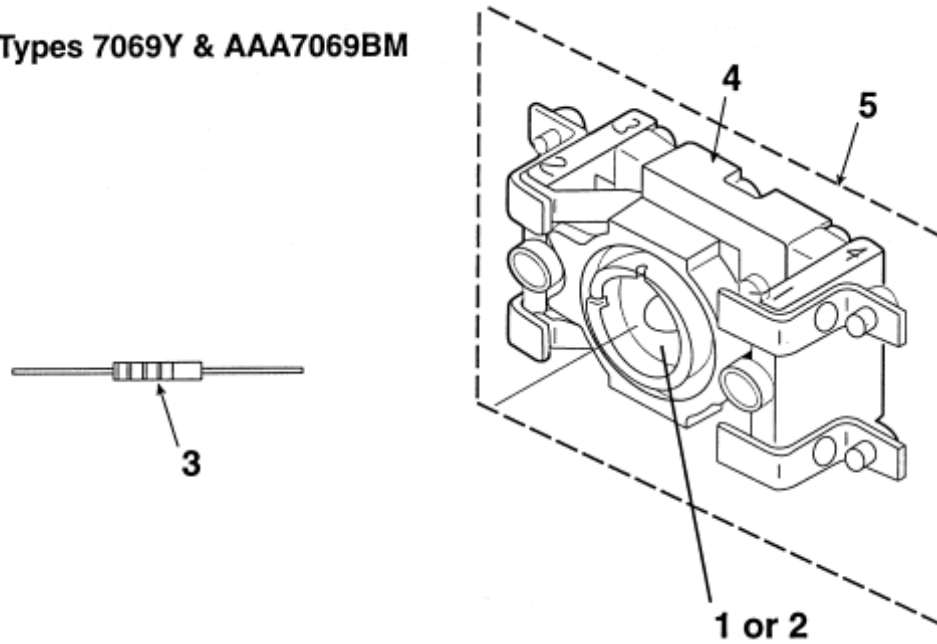
For Type AAA7069BM

REF. No.	W/O VINTAGE PART OR ML	DESCRIPTION
1	AAA323DE1-	Button - Specify Marking, D = 1.25 in., W = 0.58 in.
2	AAA386KHV1	Plate, California Handicap Code, E = 0.19 in.
3	306MM1	Base

SPL 31-7069Y - Illuminated Button Assemblies

Page 5

For Types 7069Y & AAA7069BM



REF. No.	W/O VINTAGE PART OR ML	* See Also TIP 4.2.1-2 for LED Application DESCRIPTION
1	424G3	Lamp, Incandescent, 28V
	424G4	Lamp, Incandescent, 35V
	424G1	Lamp, Incandescent, 120V
	424G5	Lamp, Incandescent, 12V
	424G6	Lamp, Incandescent, 48V
	424G7	Lamp, Incandescent, 60V
	424G8	Lamp, Incandescent, 155V
	424G2	Lamp, Incandescent, 24V
2*	AAA629AY12	Lamp, Orange LED, 13.5V Max - Alt. for 424G5
	AAA629AY9	Lamp, Orange LED, 30V Max - Alt. for 424G2 or 424G3
	AAA629AY10	Lamp, Orange LED, 38V Max - Alt. for 424G4
	AAA629AY11	Lamp, Orange LED, 130V Max - Alt. for 424G1
	VP-802105	Lamp, Neon - Alternate for 424G1
3	AAA232FN73	Resistor, 1 Kê
4	177BS3	Switch Base, w/Socket, No Contacts or Lamp
5	177BS2	Switch, 2 N.O., 2 N.C. Contacts w/120V Lamp
	177BS2-28V	Switch, 2 N.O., 2 N.C. Contacts w/28V Lamp
	177BS2-35V	Switch, 2 N.O., 2 N.C. Contacts w/35V Lamp
	177BS1	Switch, 2 N.O. Contacts w/120V Lamp
	177BS1-28V	Switch, 2 N.O. Contacts w/28V Lamp
	177BS1-35V	Switch, 2 N.O. Contacts w/35V Lamp