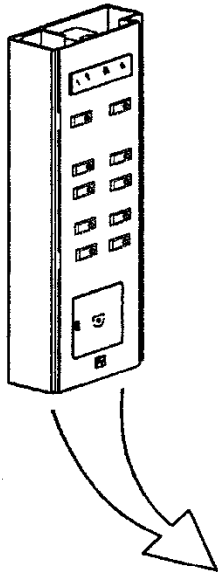


Service Cabinet

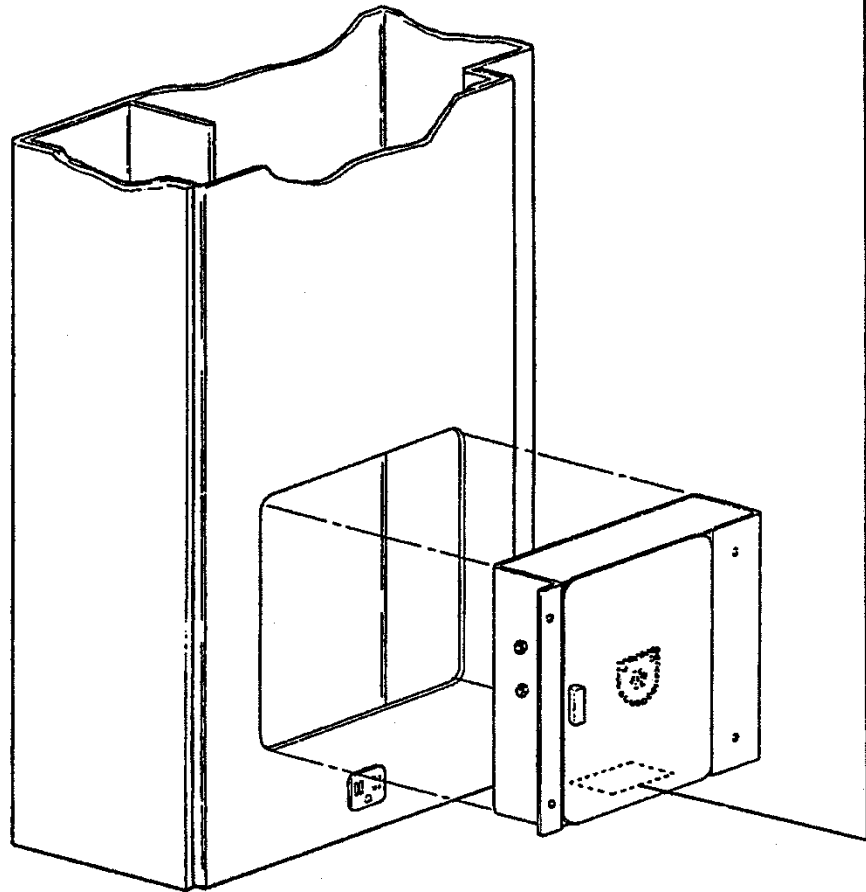
Spare Parts Leaflet

31-7144F

February 27, 2019 / Page 1 of 6



31	7144F	01
	VINTAGE	
REV		EN



OTIS

This document does not contain any technical data subject to EAR or ITAR

SERVICE ENGINEERING
Otis Elevator Company
Bloomfield, Connecticut USA

Unpublished Work—© Otis Elevator Co.; 2019

Leaflet Description

This leaflet provides spare parts information for type 7144F service cabinet.

Leaflet Revisions

Date Revised	Subject Matter Expert	Reason for Revision
March 1989	---	New SPL
October 1997	---	Updated parts and artwork
January 1, 2000	Stephen Karvazy	Updated parts and added history page
February 27, 2019	Ali Bozorgzadeh	Corrected illustration for ref. 8 on p. 4

Related Drawings

Drawing No.	Title	Drawing No.	Title
7144F	Service Cabinet		

Related Documents

Document ID	Title

Subject Matter Expert

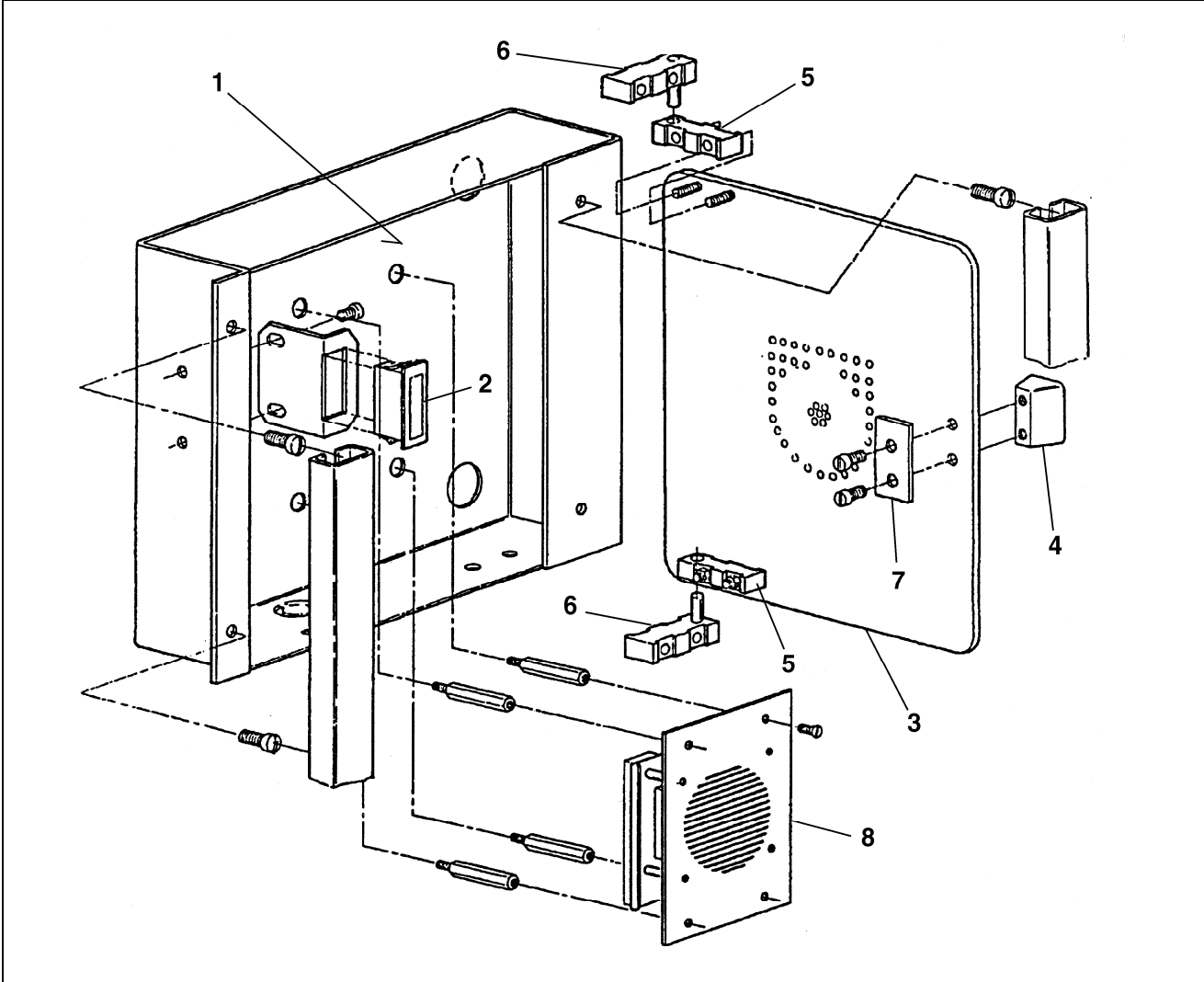
Name	Department
Ali Bozorgzadeh	OSC Service Electrical Engineering

About Spare Parts Leaflets...

This document lists the lowest replaceable units (LRUs) for the standard version of the product. The LRUs are chosen by a team of Otis associates representing engineering and manufacturing.

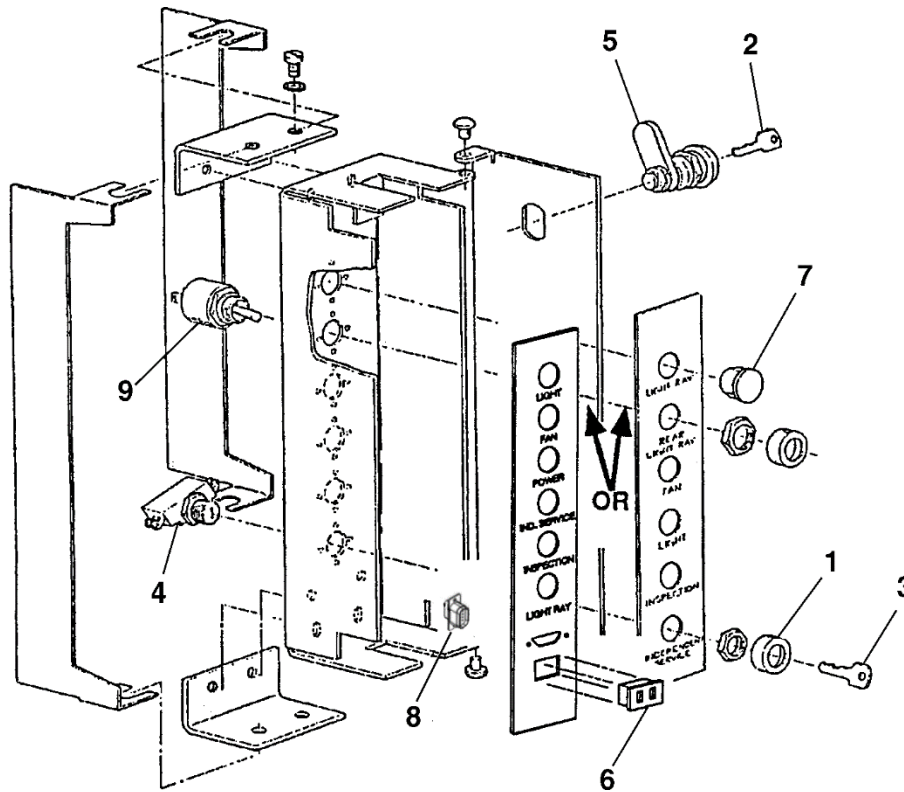
While goal of this document is to make parts identification as easy as possible, the document cannot be all-inclusive. Elevator and escalator contracts classified as "special" or "custom" are not addressed here. For such contracts, please refer to specified information, the contract folder, TIPs, Field Education Articles, Construction Letters, etc. for further information.

If you have any suggestions about this document, please contact the subject matter expert listed on this page.



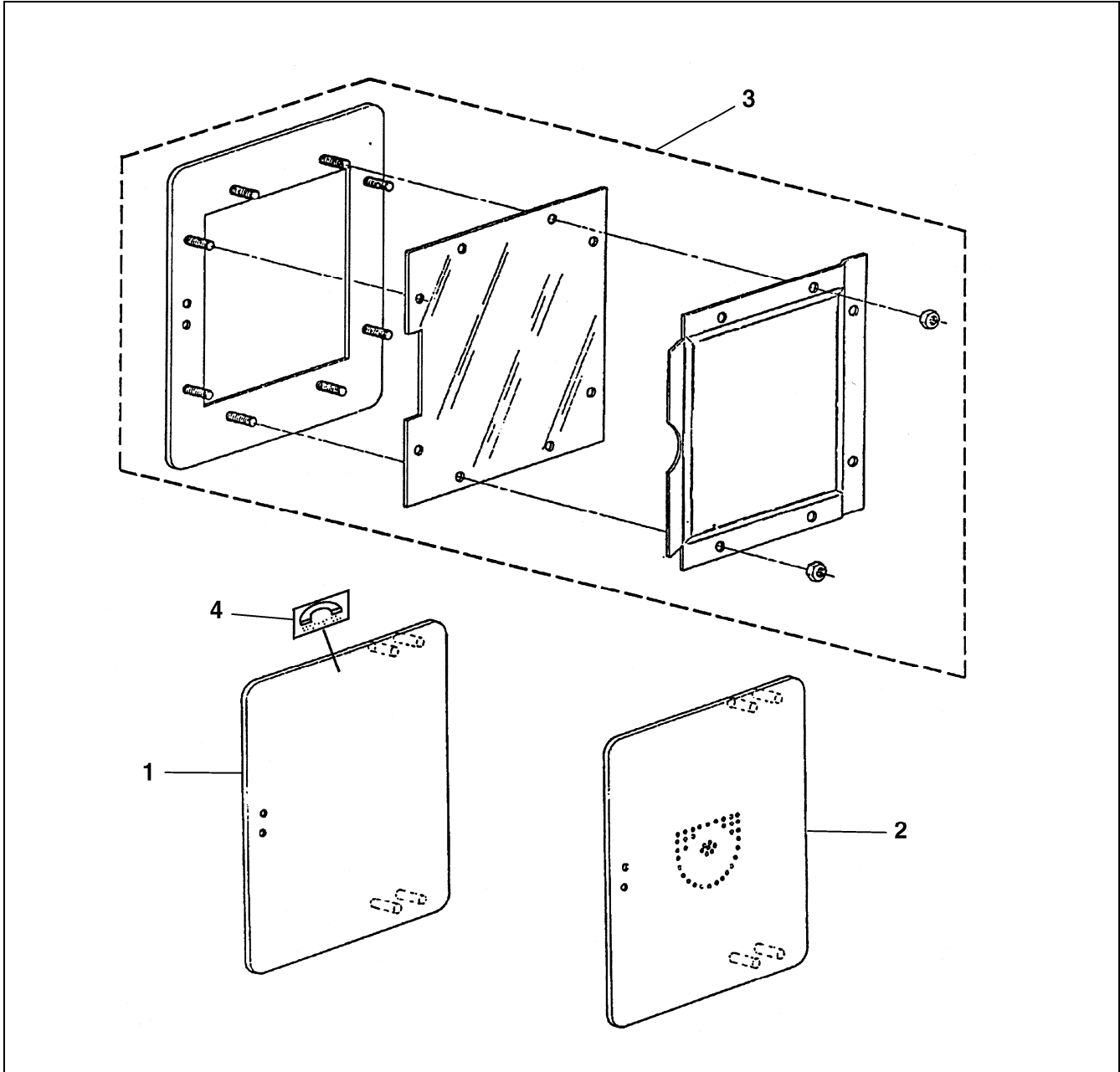
W/O VINTAGE &
VINTAGE Y 01

REF. NO.	PART or ML	DESCRIPTION
1	---	Box, Switch, Type 6986T,  p. 4 for Component References
2	331BK1	Catch, Magnetic
3	---	Door, Type 406BG,  p. 5 for Details
4	388BM4-BR7	Handle, Bronze, w/o Phone Symbol
	388BM4-SS4	Handle, Stainless Steel Brushed Finish, without Phone Symbol
	388BM5-3	Handle, Stainless Steel Satin Finish, with Phone Symbol
	388BM5-7	Handle, Bronze, with Phone Symbol
	AAA388CK4	Handle, Door, with Phone Symbol and Braille, Plastic
5	310LW1	Hinge
6	310LW2	Hinge, w/ Pin
7	386BDK2	Plate, Strike
8	433EF1	Speaker

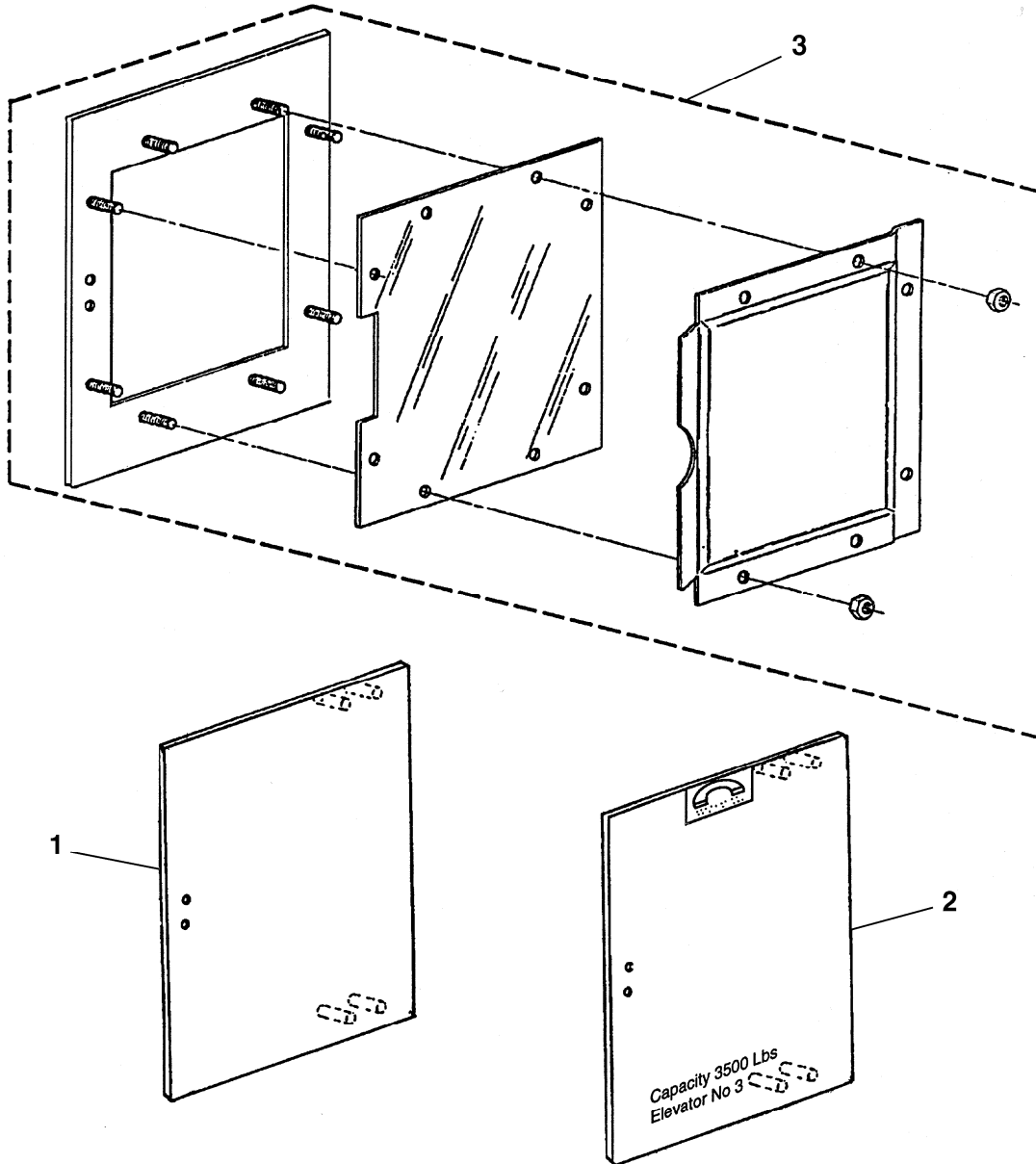


W/O VINTAGE &
VINTAGE Y 01

REF. NO.	PART or ML	DESCRIPTION
1	329J4-F-FAN-S-OFF	Collar, Marked: FAN/F/OFF/S
	329J4-IND SERVICE GROUP	Collar, Marked: IND SERVICE/GROUP
	329J4-LIGHT OFF	Collar, Marked: LIGHT/OFF
	329J4-LIGHT RAY OFF	Collar, Marked: OFF/ON/LITE RAY
2	VP-796345	Key (for 431Y3-DC Lock)
3	VP-796350	Key (for 6410R3 Keyswitch)
4	6410R3	Keyswitch w/Two Keys (for Independent Service [ISC])
5	431Y3-DC	Lock, Dull Chrome Finish w/Two Keys
6	6599R2	Outlet, Utility
7	V441BH1	Plug
8	AAA176GJ1	Receptacle
	AAA648A2	
9	6599A7	Switch, Toggle, DPDT (for Light-Ray Cutout [LRC])
	6599A11	Switch, Toggle, DPDT, 3-Position (for Fan [FAN])
	6599A3	Switch, Toggle, SPST (for Light Switch Off)



W/O VINTAGE & VINTAGE Y 01		
REF. NO.	PART or ML	DESCRIPTION
1	406BG2-7	Door, Bronze, w/o Speaker
	406BG2-3	Door, Stainless Steel, w/o Speaker
2	406BG4-7	Door, Bronze, w/Speaker
	406BG4-3	Door, Stainless Steel, w/Speaker
3	406BG7-7	Door, Bronze, w/Certificate Holder
	406BG7-3	Door, Stainless Steel, w/Certificate Holder
4	AAA428H2	Phone Symbol/Braille Sticker



W/O VINTAGE &
VINTAGE Y 01

NOTE: For 9 in. wide x 12 in. high openings with square corners.

REF. NO.	PART or ML	DESCRIPTION
1	---	Door, Plain, Type AAA406BN*
2	---	Door, w/Telephone Symbol & Braille, Type AAA406BN*
3	---	Door, w/Certificate Frame, Type AAA406BP*

*Contact your Customer Service Representative to obtain by special order.
Individual part numbers are not available.