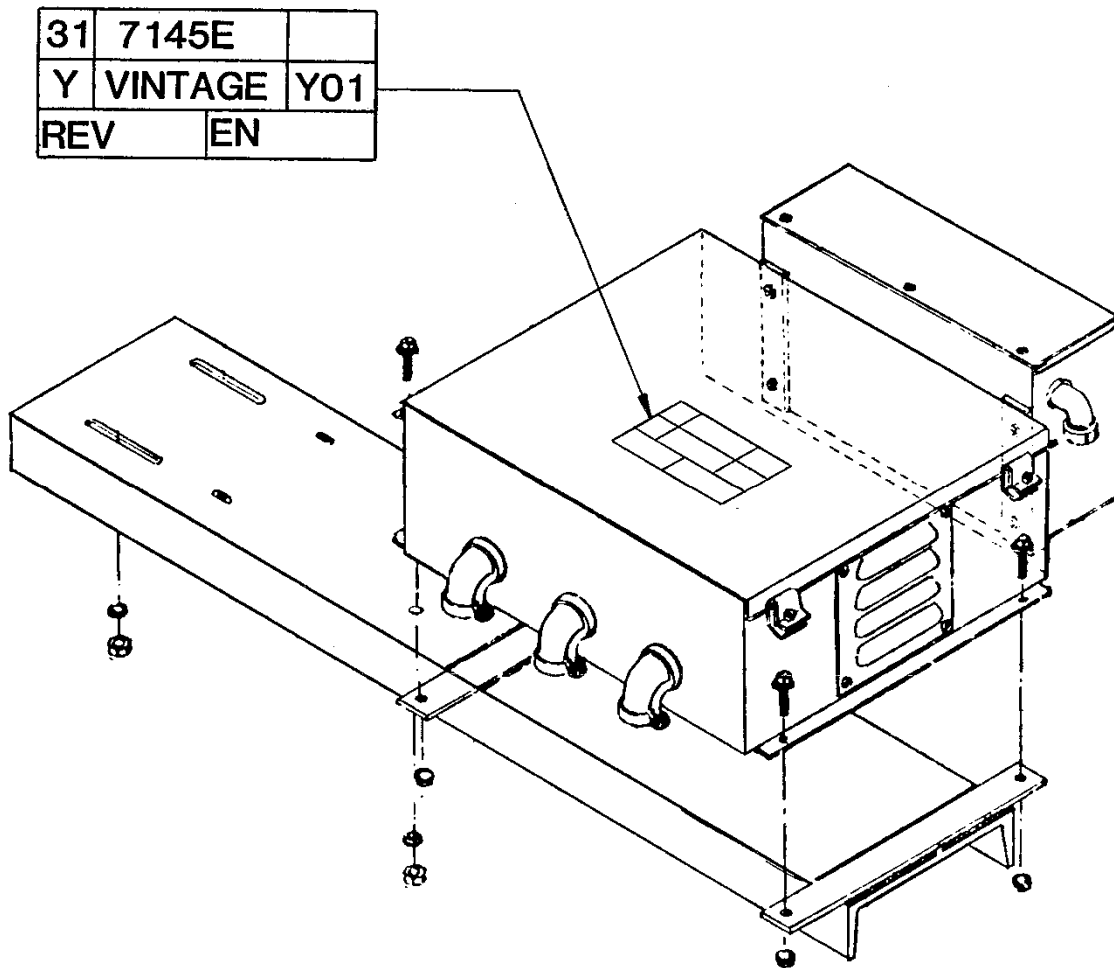


Elevonic 401, Top-of-Cab Interface Box, Door Selection Box

Spare Parts Leaflet

31-7145E

December 21, 2011 / Page 1 of 4



OTIS

Safety First!

SERVICE ENGINEERING
Otis Elevator Company
Bloomfield, Connecticut USA

Leaflet Description

This leaflet lists parts info used in Elevonic 401 system.

Leaflet Revisions

Date Revised	Subject Matter Expert	Reason for Revision
---	---	Was issued as C-3004 originally
July 1986	---	Replaced C-3004 with 31-7145E (including 31-1F-7145J)
March 23, 2011	Matt Fournier	Added history page; added alternate part number for P613AP6.
December 21, 2011	Matt Fournier	Updated information for p/n P613AP6

Related Drawings

Drawing No.	Title	Drawing No.	Title
7145E	Assembly, Cab Interface Box	---	---
---	---	---	---

Related Documents

Document ID	Title
TIP 1.2.0-38	P613AP6, 7, and 9 Aromat Relay Replacements
---	---

Subject Matter Expert

Name	Department
Matt Fournier	OSC Service Engineering

About Spare Parts Leaflets...

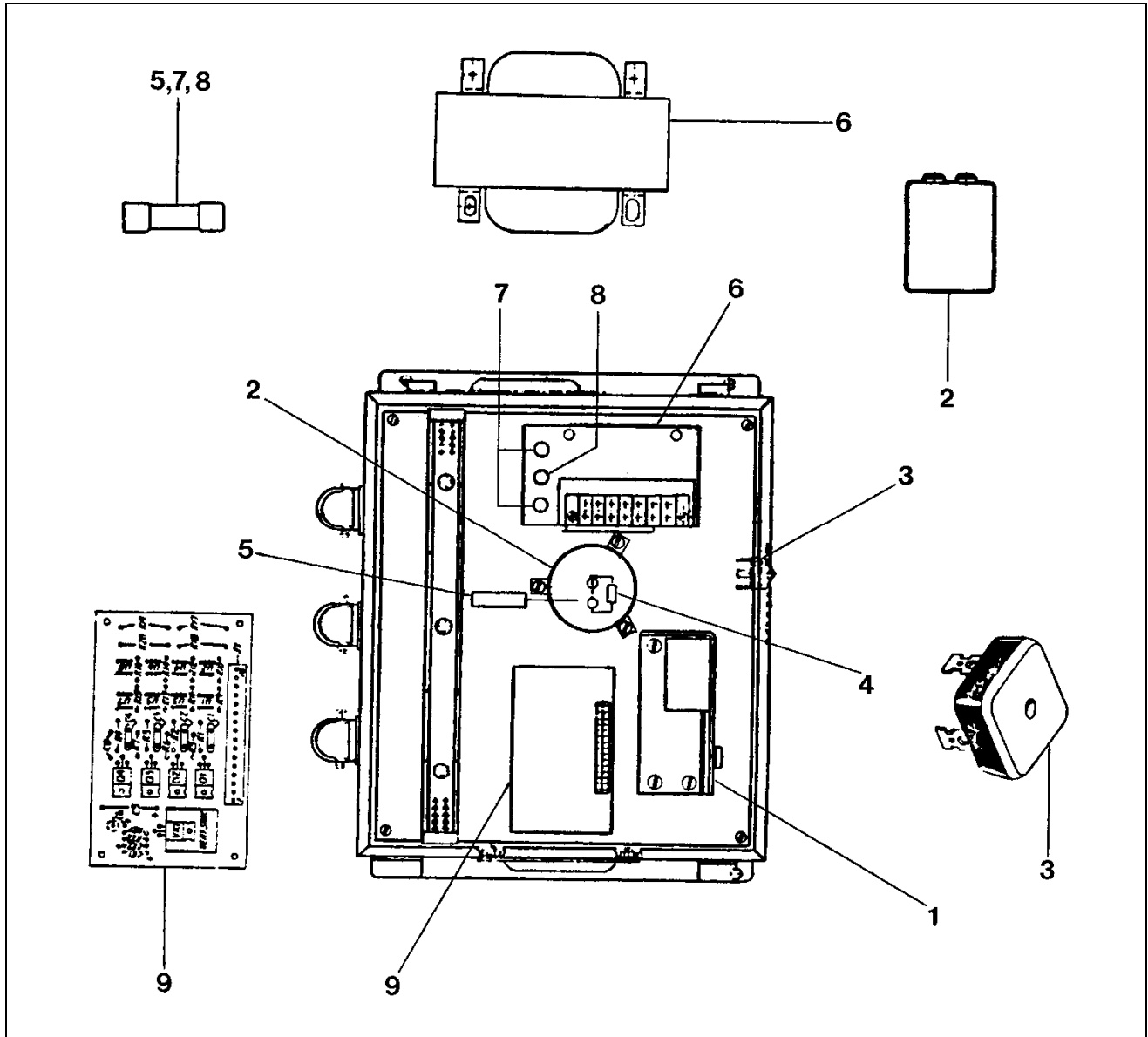
This document lists the lowest replaceable units (LRUs) for the standard version of the product. The LRUs are chosen by a team of Otis associates representing engineering and manufacturing.

While goal of this document is to make parts identification as easy as possible, the document cannot be all-inclusive. Elevator and escalator contracts classified as “special” or “custom” are not addressed here. For such contracts, please refer to specified information, the contract folder, TIPs, Field Education Articles, Construction Letters, etc. for further information.

If you have any suggestions about this document, please contact the subject matter expert listed on this page.

Type 7145E Cab Interface Box

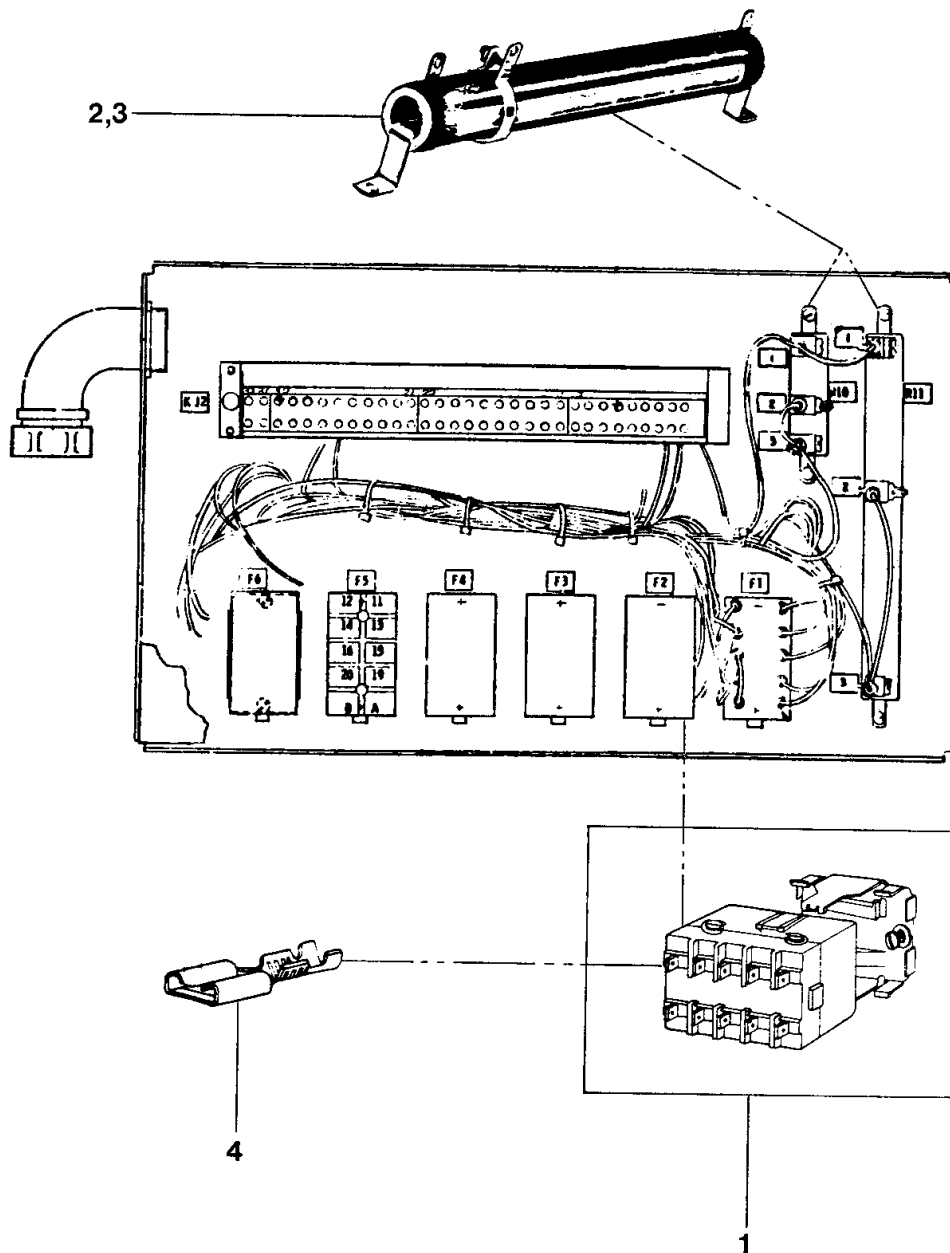
31-7145E



**VINTAGE Y01
7145E**

REF. No.	PART No.	QTY	DESCRIPTION
1	POWHC12-3.4	1	Power Supply
2	P226DA2	1	Capacitor, 50WVDC, 3 X 4.25"
3	P230BK11	1	Bridge Rectifier, 25 Amps, 100V
4	P232T50	1	Resistor, 2W, 2000 Ohms
*5	P375AP1	1	Fuse, Ceramic Tube, 25 Amps
6	235DA1	1	Transformer, Power Supply
*7	375T1	2	Fuse, 1 Amp, 250V, Glass
*8	375T24	1	Fuse, 1/2 Amp, 250V, Glass
*9	8201AB1	1	PC Board, SPT Interface

* Recommended spare part.



**VINTAGE Y01
7145E**

REF. No.	PART No.	QTY	DESCRIPTION
1	P613AP6 AAA24831M6 AAA613DL17	6	Relay, 4 Pole, 120VAC, 2NO, 2NC, See NOTE
2	P232EF6	1	Resistor, 300 Ohms, 75W 6" LG
3	P232EF7	1	Resistor, 150 Ohms, 25W 2" LG
4	P190AH1	60	Faston Terminal for Relay 18-14 Wire

NOTE: For first time replacement, order AAA24831M_ ; for subsequent replacements, order AAA613DL_ . Refer to TIP 1.2.0-38, P613AP6, 7 and 9 Aromat Relay Replacements, for replacement options.