

**Elevonic® 401 w/o  
Advanced Fixtures  
Top-of-Cab Interface Box**

**Spare Parts Leaflet**

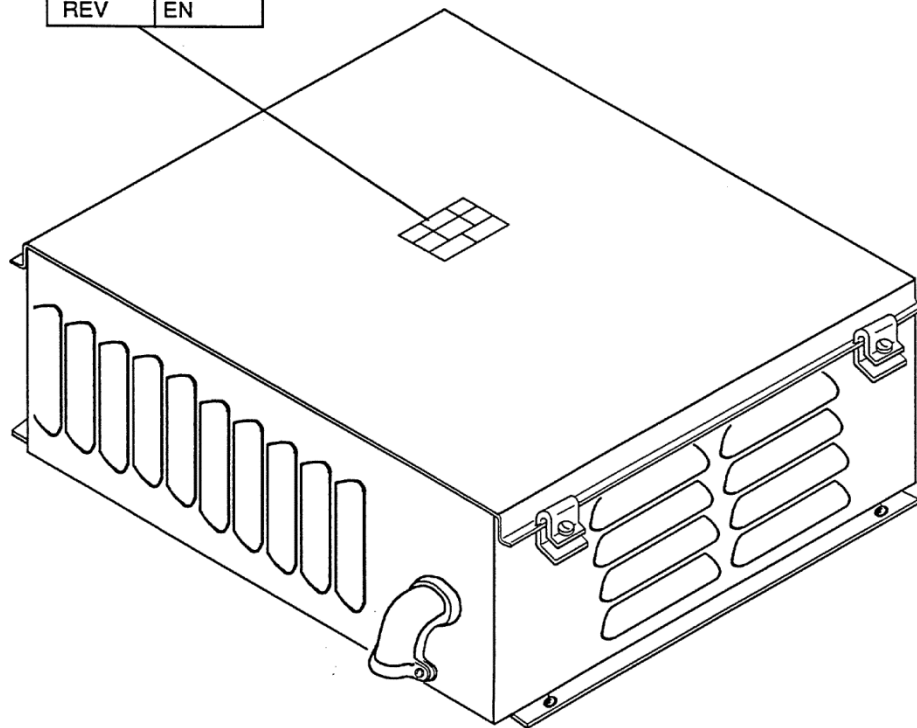
**31-7145T**

**February 18, 2015 / Page 1 of 8**

W/O VINTAGE

31	A7145T	
Y	VINTAGE	Y01
REV	EN	

31	B7145T	
Y	VINTAGE	Y02
REV	EN	



**OTIS**

**SERVICE ENGINEERING  
Otis Elevator Company  
Bloomfield, Connecticut USA**

Unpublished Work—© Otis Elevator Co.; 2015

**Leaflet Description**

This leaflet provides spare parts information for cab interface box assembly.

**Leaflet Revisions**

<b>Date Revised</b>	<b>Subject Matter Expert</b>	<b>Reason for Revision</b>
September 1989	---	Introduced retrofit kit
March 1999	Val Minnes	Corrected callout numbers
January 1, 2000	John Doane	Updated parts on p. 3
February 18, 2015	Sohaib Shaikh	Added p. 8; Updated parts on p. 4 and p.5

**Related Drawings**

<b>Drawing No.</b>	<b>Title</b>	<b>Drawing No.</b>	<b>Title</b>
---	---	---	---

**Related Documents**

<b>Document ID</b>	<b>Title</b>
TIP 1.1.3.2-27	COP III Ordering, Installation, and Setup

**Subject Matter Expert**

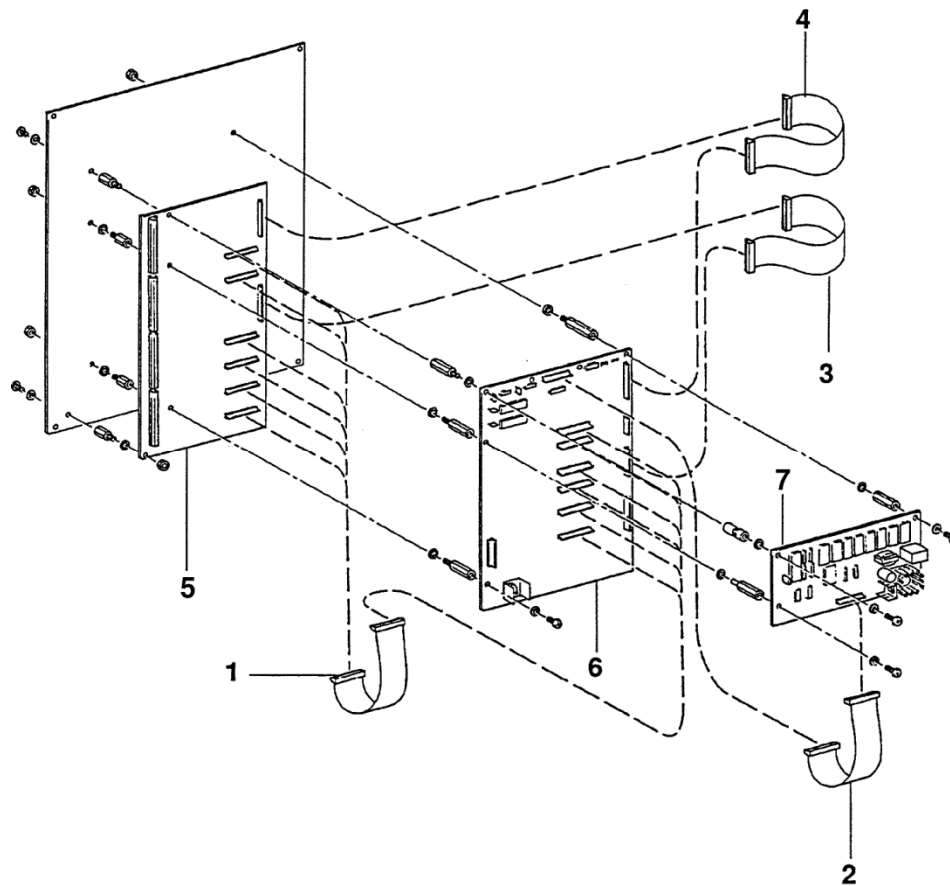
<b>Name</b>	<b>Department</b>
Sohaib Shaikh	OSC Service Engineering

**About Spare Parts Leaflets...**

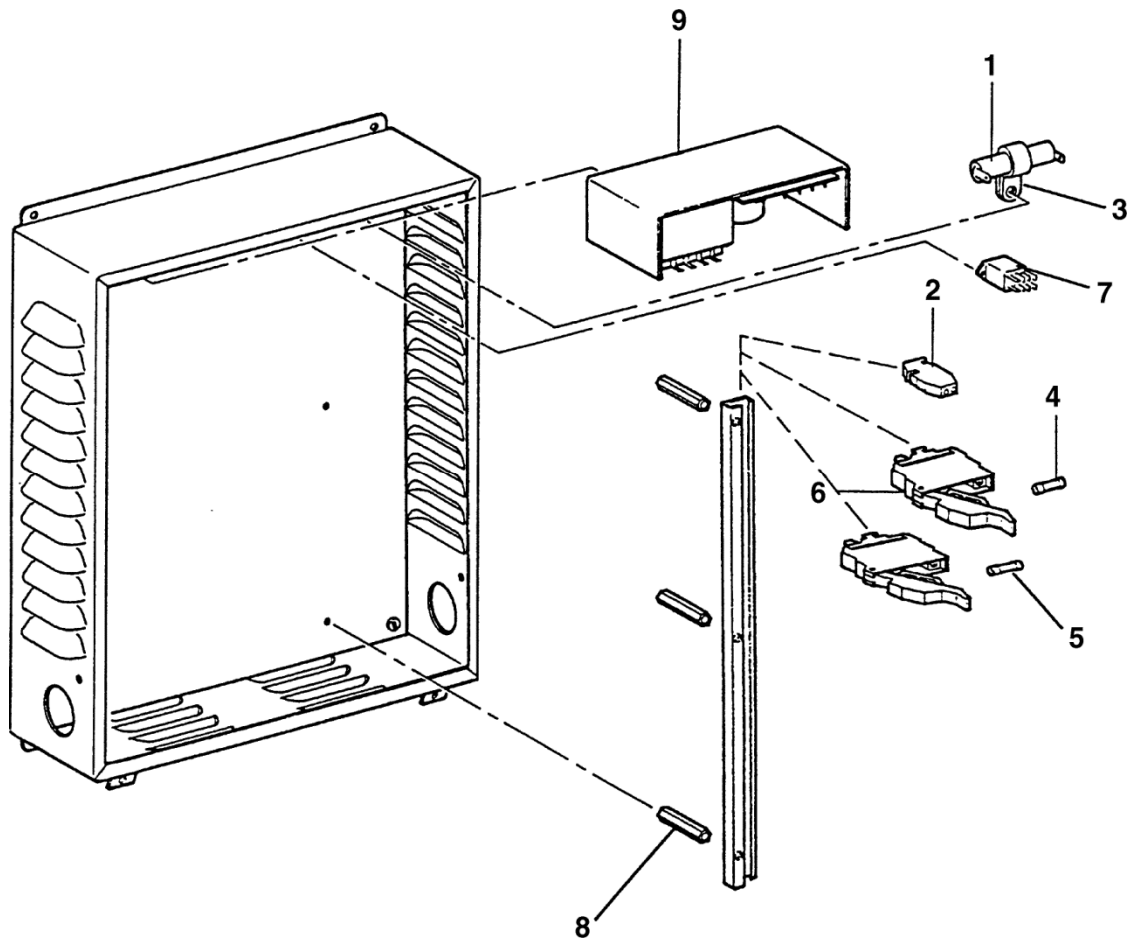
This document lists the lowest replaceable units (LRUs) for the standard version of the product. The LRUs are chosen by a team of Otis associates representing engineering and manufacturing.

While goal of this document is to make parts identification as easy as possible, the document cannot be all-inclusive. Elevator and escalator contracts classified as "special" or "custom" are not addressed here. For such contracts, please refer to specified information, the contract folder, TIPs, Field Education Articles, Construction Letters, etc. for further information.

If you have any suggestions about this document, please contact the subject matter expert listed on this page.

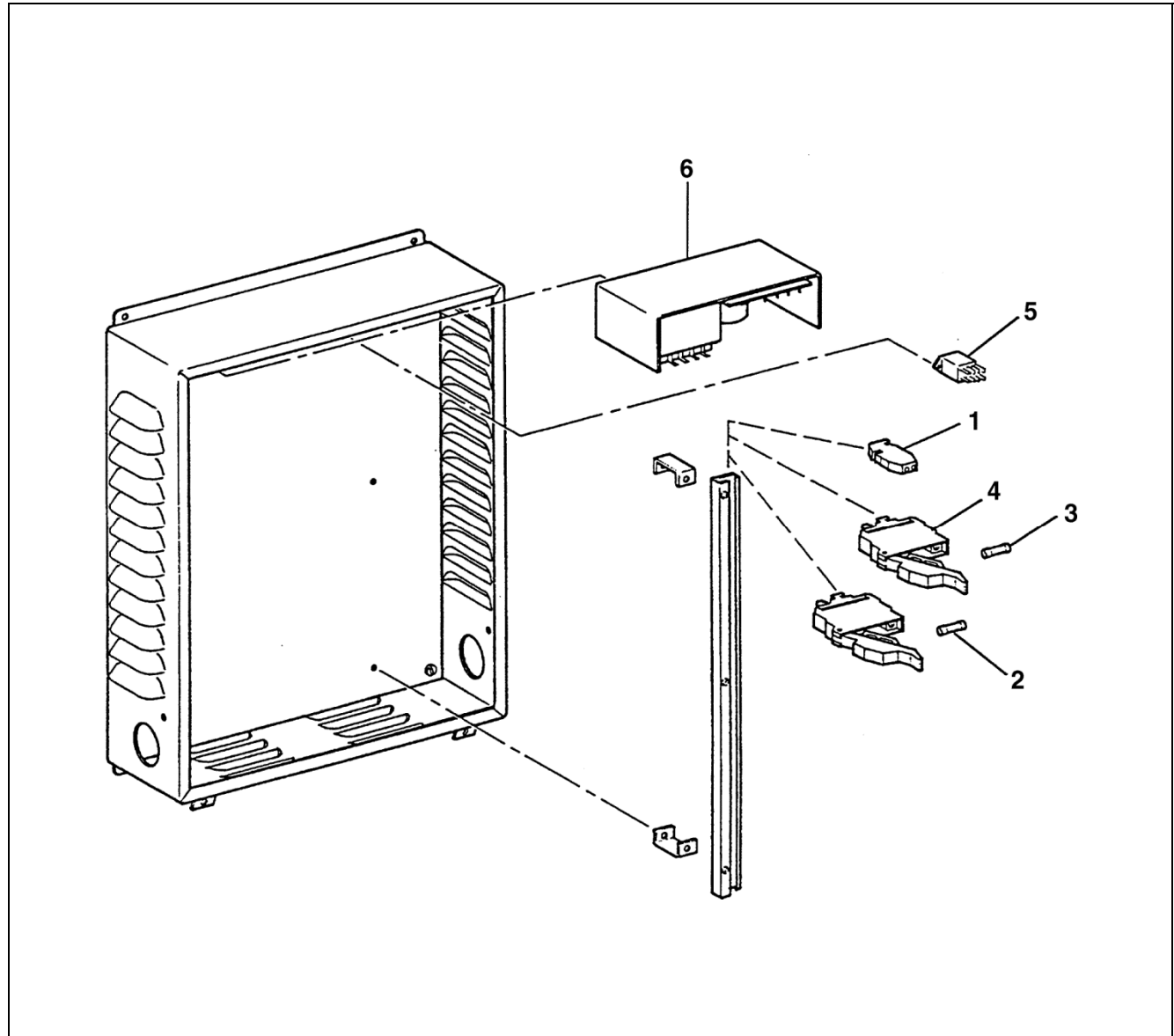


<b>W/O VINTAGE VINTAGE Y 01</b>					
<b>REF. No.</b>	<b>PART No.</b>	<b>DESCRIPTION</b>			
1	174EA1	Assembly, Cable			
2	174EP1				
3	174ER1				
4	174ES1				
5	8403A1	PC Board, CIO			
6	8200CA4	PC Board, Processor <table border="1" style="display: inline-table; vertical-align: middle;"><tr><td>ORDER</td></tr><tr><td> </td></tr><tr><td> </td></tr></table> Ref. 1, p. 7	ORDER		
ORDER					
7	A8200CA1 ABA26800ZZ1	PC Board, Speech			

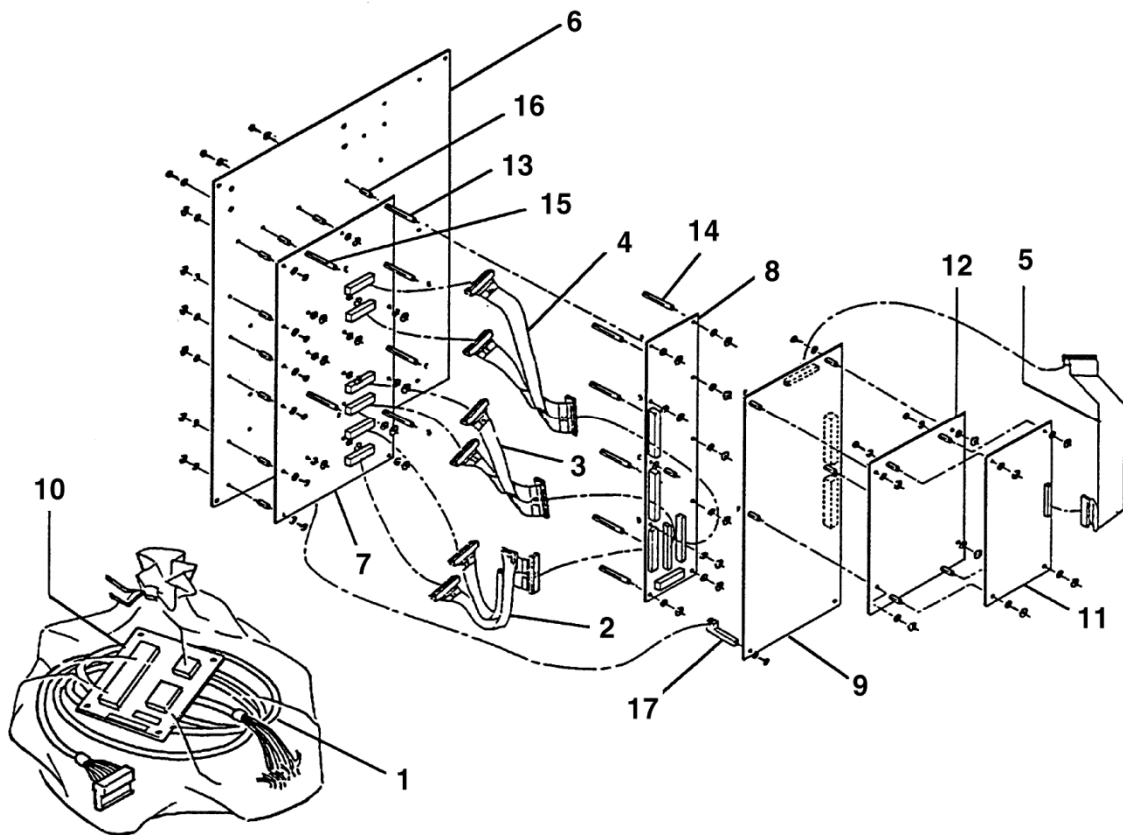


**W/O VINTAGE  
VINTAGE Y 01**

<b>REF. No.</b>	<b>PART No.</b>	<b>DESCRIPTION</b>
1	718AAE1	Battery
2	P303CF1	Block, Terminal
3	P336JS1	Clamp
4	P375AL5	Fuse
5	P375AP2 AAA375BT12	Fuse, Ceramic (ABC) 10 A, 250 V
6	P180BY1	Holder, Fuse
7	P613AZ1	Relay4
8	A7145T-9749-B-0632	Standoff
9	P621H1	Supply, Power

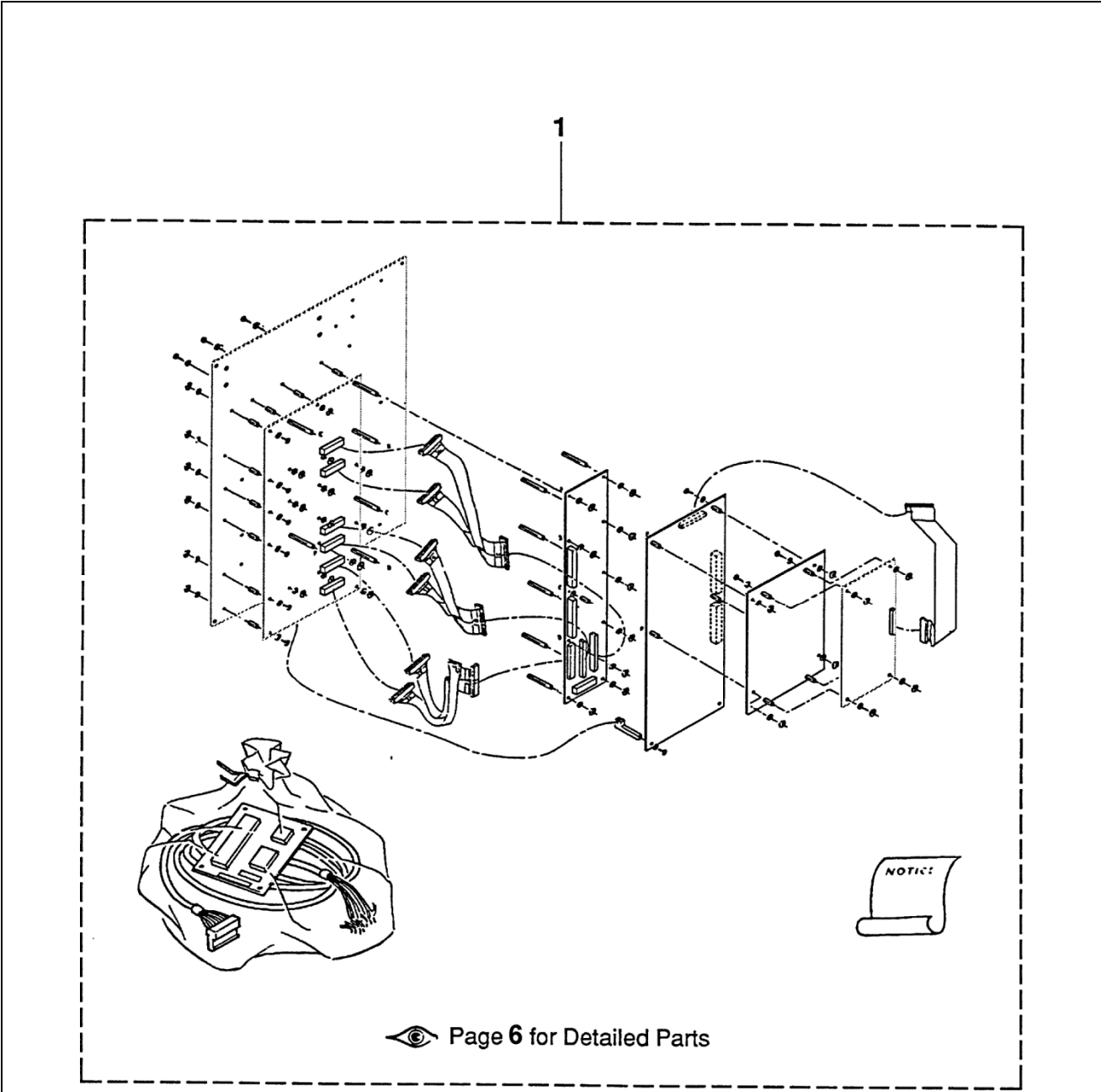


VINTAGE Y 02		
REF. No.	PART No.	DESCRIPTION
1	P303CF1	Block, Terminal
2	P375AP2 AAA375BT12	Fuse, Ceramic (ABC) 10 A, 250 V
3	375T4 AAA375BR6	Fuse, Slow Blow (MDL), 1 A, 250 V
4	P180BY1	Holder, Fuse
5	P613AZ1	Relay
6	P621H1	Supply, Power

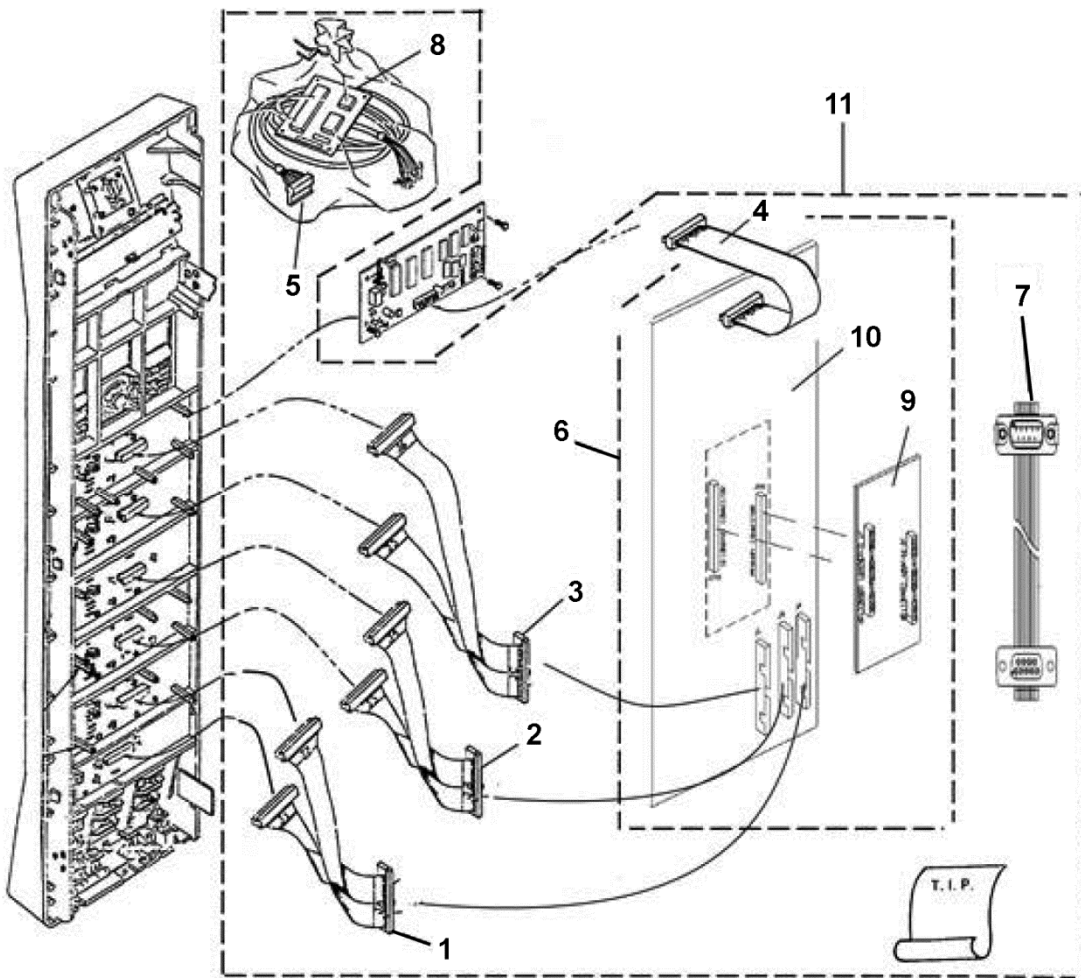


**W/O VINTAGE  
VINTAGE Y 01**

REF. No.	PART No.	DESCRIPTION	
1	AAA174KB1	Assembly, Cable	
2	AAA174JX1	Assembly, Cable COP - II Button	(JA)
3	AAA174JX2		(JB)
4	AAA174JX3		(JC)
5	174EA5	Assembly, Cable COP - II Speech	
6	438LY1	Panel	
7	8403A1	PC Board, CIO	
8	ABA26800ACA004 AAA25000ES1	PC Board, COP II Interface Retrofit Kit, COP II to COP III, see p. 8 and TIP 1.1.3.2-27	
9	ABA26800AGB004 AAA25000ES1	PC Board, COP II Processor Retrofit Kit, COP II to COP III, see p. 8 and TIP 1.1.3.2-27	
10	AAA26800ABX001	PC Board, COP- II Remote	
11	ABA26800ZZ1	PC Board, Speech	
12	AAA105LL1	Plate, Speech Board Adapter	
13	354AG56	Standoff (1-1/4 in.)	
14	354AG55	Standoff (1-7/8 in.)	
15	354AG53	Standoff (2 in.)	
16	354AG54	Standoff (5/8 in.)	
17	AAA464DB1	Support Leg	



REF. No.	PART No.	DESCRIPTION
1	AAA25000D4 AAA25000ES4	Retrofit Kit, COP II w/ TIP 1.1.3.2-15 Retrofit Kit, COP I to COP III, see p. 8 and TIP 1.1.3.2-27



**W/O VINTAGE  
VINTAGE Y 01**

REF. No.	PART No.	DESCRIPTION
1	AAA174JX4	Assembly, Cable (JA-J1, J2) for COP III
2	AAA174JX5	Assembly, Cable (JB-J3, J4) for COP III
3	AAA174JX6	Assembly, Cable (JC-J5, J6) for COP III
4	174EA2	Assembly, Cable, COP III Speech
5	AAA174KB1	Assembly, Cable, Remote
6	AAA25000ER1	Assembly, COP III Processor and I/O Board w/ COP III Software
7	174HT10	Extension Cable, 9-pin, for Service Tool, 974 mm (38 in.)
8	AAA26800ABX001	PC Board, COP-II Remote
9	ACA26800AWD1-COPIII	PC Board, Processor Board w/COP III Software
10	AAA26800AWC1	PC Board, I/O Board, COP III
11	AAA25000ES4	Retrofit Kit, COP I to COP III, see TIP 1.1.3.2-27
	AAA25000ES1	Retrofit Kit, COP II to COP III, see TIP 1.1.3.2-27