

Elevonic® 401 Car
 Operating Panel
 (w/Advanced Fixtures)

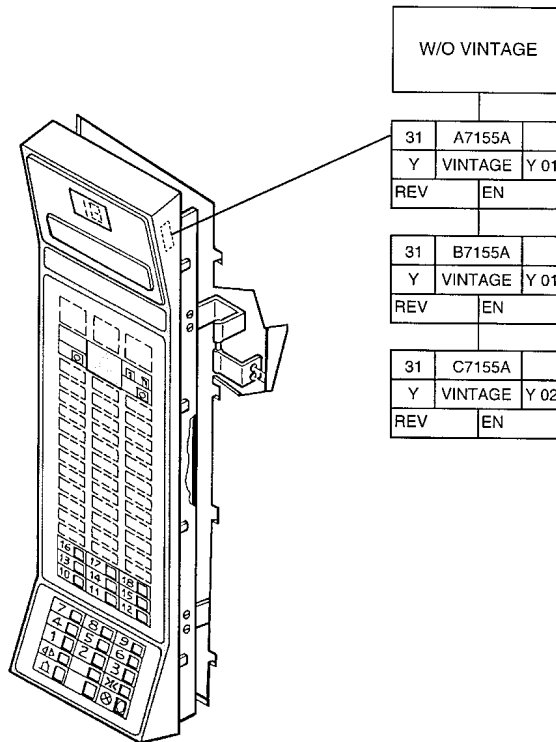
Spare Parts Leaflet

31-7155A

September 28, 2022 / Page 1 of 8

OBSOLESCENCE NOTICE

The product covered in this SPL has been designated as obsolete and is no longer supported. See TIP 32.2-1, *Obsolete Components*, for potential upgrade. Replacement lower-level parts listed within and unique to this design will be reviewed for obsolescence.



SERVICE ENGINEERING
 Otis Elevator Company Bloomfield,
 Connecticut USA

Unpublished Work—© Otis Elevator Co.; 2022

Leaflet Description

This leaflet provides spare parts information for type 7155A Elevonic® 401 car operating panel.

Leaflet Revisions

Date Revised	Subject Matter Expert	Reason for Revision
February 1990	- - -	New SPL
August 1, 1997	- - -	Updated parts and artwork.
February 1, 2000	Stephen Karvazy	Updated parts on page 3 and added History page.
April 14, 2010	Michael Bertini	Added reference to 6599F phone jack assembly on p. 7.
Sept. 28, 2022	Juan Murillo	Added Obsolescence notice on the cover

Related Drawings

Drawing No.	Title	Drawing No.	Title
7155A	3 Row Car Operating Panel Assembly		

Related Documents

Document ID	Title
31-7069AF	Advanced Fixtures Component Fixtures for Car Operating & Hall Panels
31-7069AG	Jewel Modules for Hall and Car Panels: 3-Wire Configuration with Incandescent Lamps/LED Options
31-7069AH	Advanced Fixture—Part, 7069AH Keyswitch Module
31-AAA7069BH	Advanced Fixtures—Car, Keyswitch Module
31-6599F	Phone Jack Assembly
TIP 1.1.3.2-15	E401 COP-II Installation and General Information
TIP 1.1.3.2-27	COP III Ordering, Installation, and Setup

Subject Matter Expert

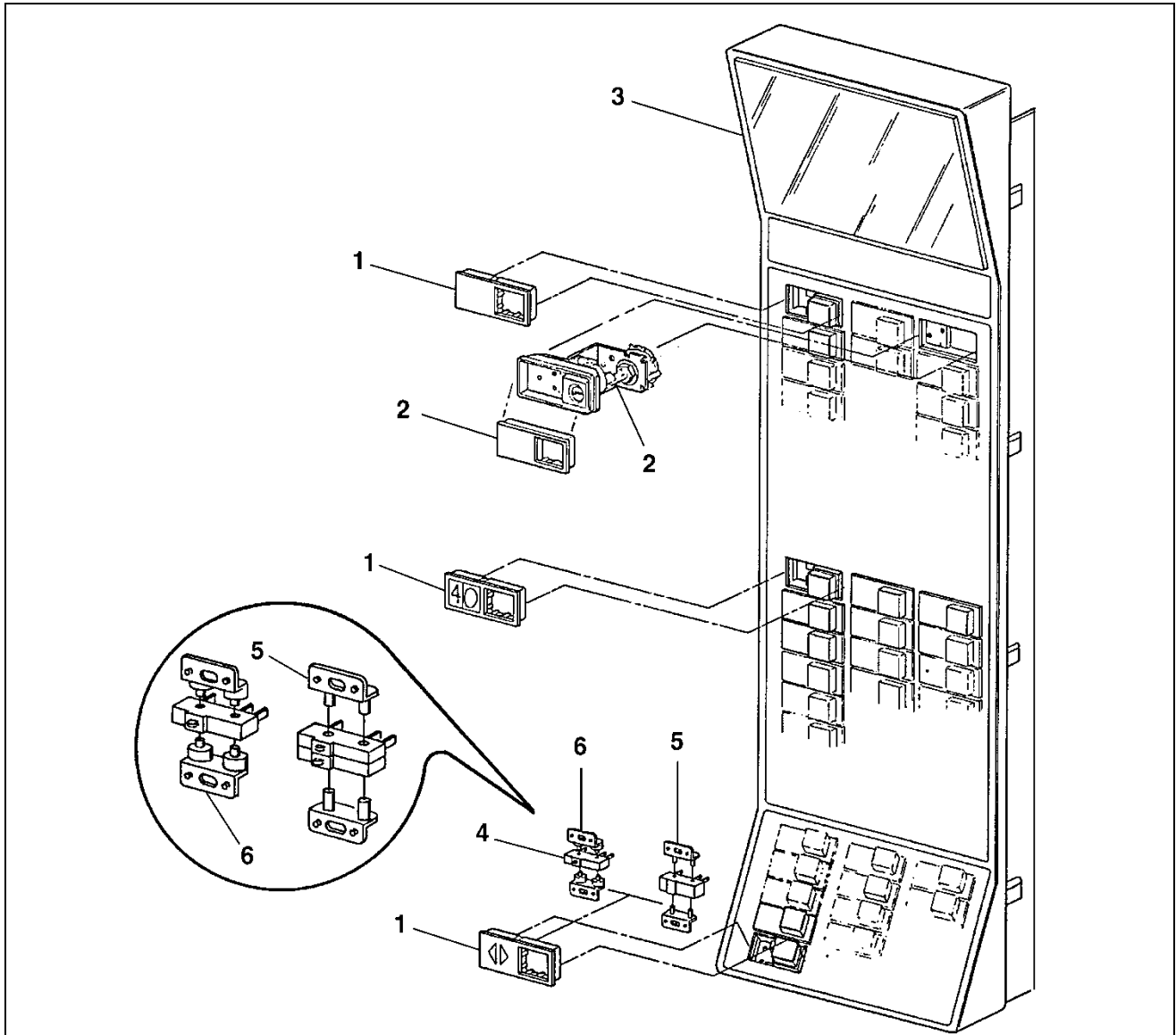
Name	Department
Sohaib Shaikh	OSC Service Engineering





About Spare Parts Leaflets...

This document lists the lowest replaceable units (LRUs) for the standard version of the product. The LRUs are chosen by a team of Otis associates representing engineering and manufacturing.

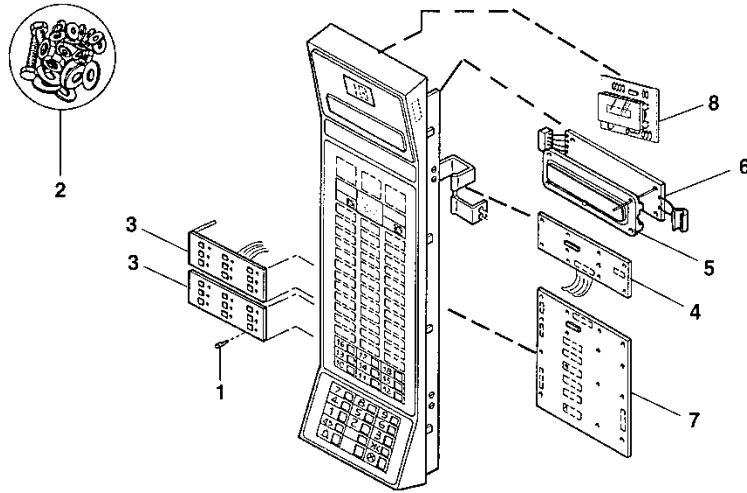
While goal of this document is to make parts identification as easy as possible, the document cannot be all-inclusive. Elevator and escalator contracts classified as “special” or “custom” are not addressed here. For such contracts, please refer to specified information, the contract folder, TIPs, Field Education Articles, Construction Letters, etc. for further information.

If you have any suggestions about this document, please contact the subject matter expert listed on this page.



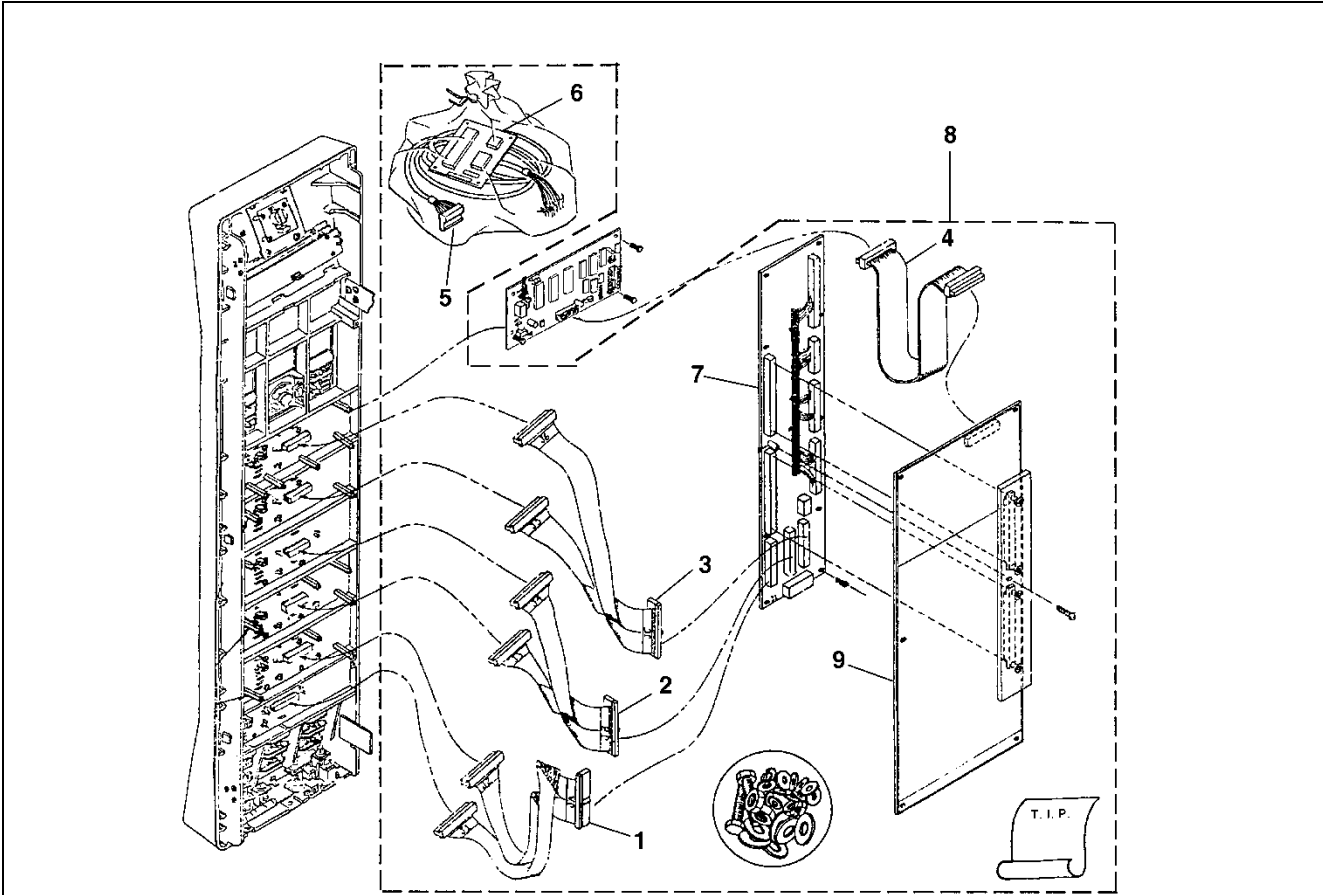
REF. No.	PART No.	DESCRIPTION
1	---	Button, Type 7069AF,  SPL 31-7069AF
	---	Jewel, Type 7069AG,  SPL 31-7069AF
2	---	Keyswitch, Type 7069AH,  SPL 31-7069AH
	---	Keyswitch, Type A**7069BH,  SPL 31-AAA7069BH
3	443CA1	Lens
4	177DA1	Microswitch
5	180DA1	Switch Holder, Double
6	180DA2	Switch Holder, Single


LEDs & PC Boards

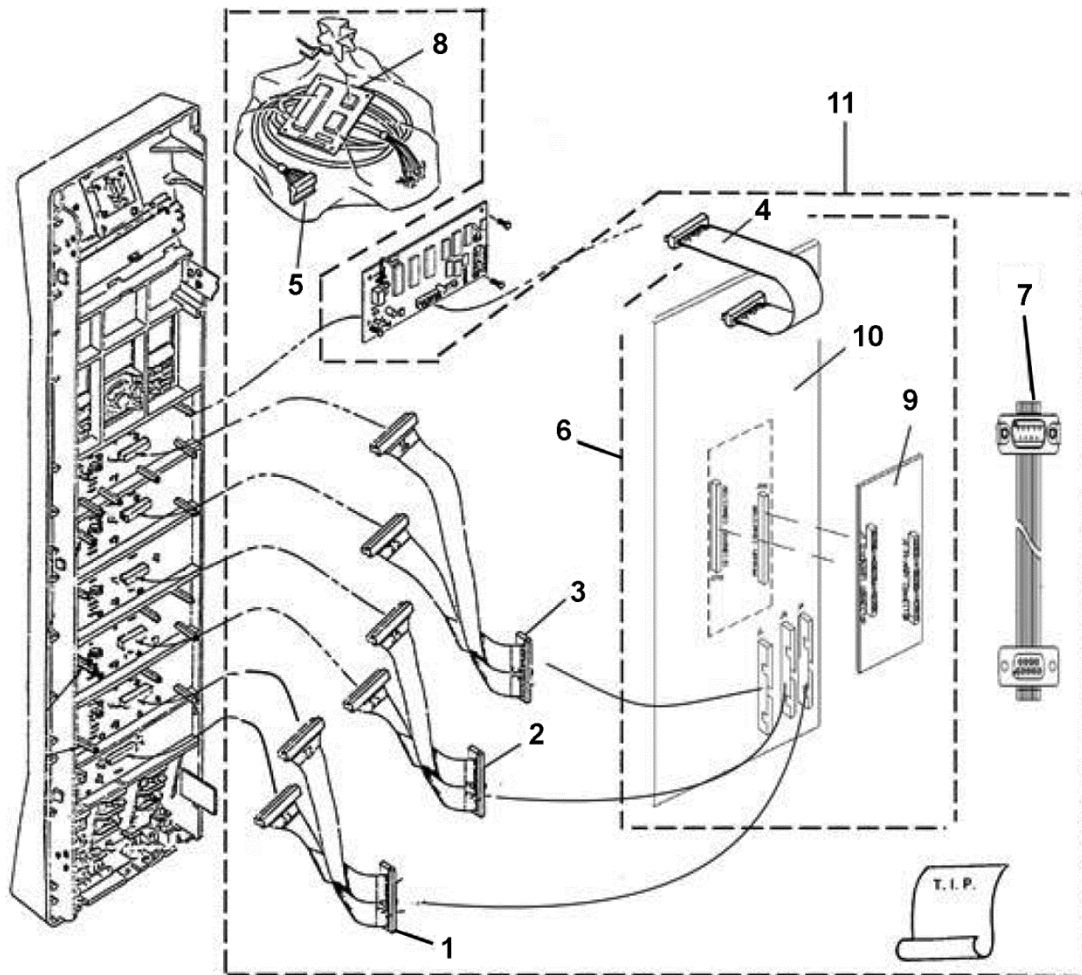


REF. No.	W/O & Y 01 Y 02 PART No.	DESCRIPTION			
1	AAA00625AAA001 AAA629AY1 AAA629BD5	LED, Yellow			
	AAA00625AAA002 AAA629AY2	LED, Red			
	AAA00625AAA003 AAA629AY3 AAA629BD2	LED, Orange			
	AAA629AY17	LED, White			
	424R1	Lamp, Incandescent			
2	2700CAL1	Kit, Miscellaneous Hardware & Standoffs			
3	8200BA1	PC Board, 9-Switch w/Lamps			
	AAA26800ADM1	PC Board, 9-Switch w/LEDs, Amber			
	AAA26800ADM2	PC Board, 9-Switch w/LEDs, Orange			
	AAA26800ADM3	PC Board, 9-Switch w/LEDs, Green			
	AAA26800ADM4	PC Board, 9-Switch w/LEDs, Red			
4	8200EA1 8200EA2 A8200EB4 ABA26800ZZ4	PC Board, Communication (male voice) NOTE			
	A8200EB1 AAA26800ZZ4 ABA26800ZZ1	PC Board, Communication (female voice), NOTE			
5	8200FA1 A8200FA2	PC Board, Information Display			
6	8200AM4 A8200FA2	PC Board, Information Display Adaptor			
7	A8200CA4	PC Board, Processor, P. 5, Ref. 8 <table border="1" style="display: inline-table; vertical-align: middle;"><tr><td>ORDER</td></tr><tr><td> </td></tr><tr><td> </td></tr></table>	ORDER		
ORDER					
8	B8200DA1 AAA26800HJ4 ABA26800HJ4 ACA26800HJ1	PC Board, Position Indicator			

NOTE: A8200EB* can be replaced with either A8200EB* or ABA26800ZZ*; ABA26800ZZ* can only be replaced with ABA26800ZZ*.



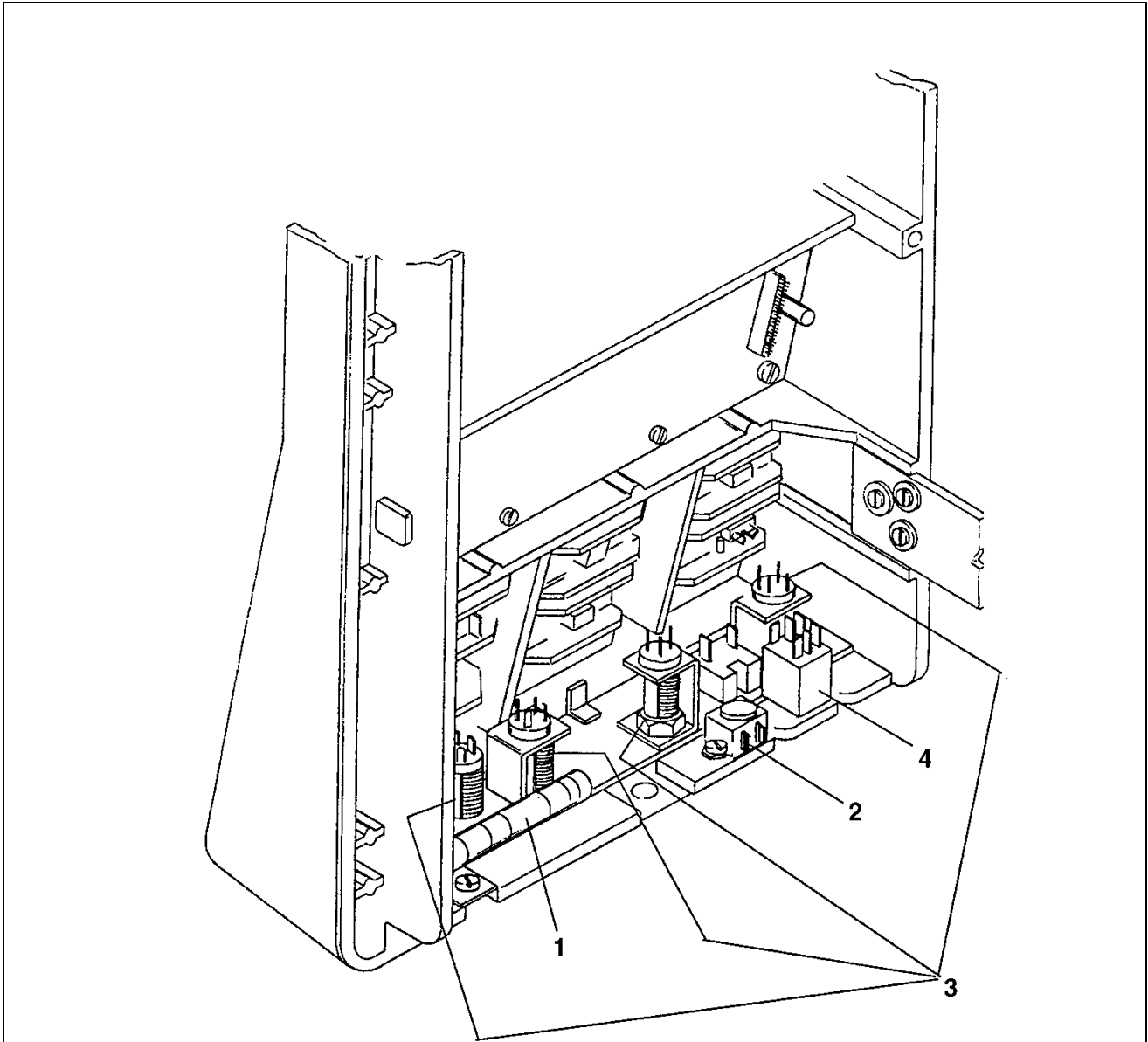
VINTAGE Y 02		
REF. No.	PART No.	DESCRIPTION
1	AAA174JX1	Assembly, Cable (JA-J1, J2) for COP II
2	AAA174JX2	Assembly, Cable (JB-J3, J4) for COP II
3	AAA174JX3	Assembly, Cable (JC-J5, J6) for COP II
4	174EA5	Assembly, Cable, COP-II Speech
5	AAA174KB1	Assembly, Cable, Remote
6	AAA26800ABX001	PC Board, COP-II Remote
7	AAA26800ACA001 ABA26800ACA001 AAA25000ES1	PC Board, COP-II Interface Retrofit Kit, COP II to COP III, see p. 6 and TIP 1.1.3.2-27
8	AAA25000D1 ABA25000D1 AAA25000ES4	Retrofit Kit, COP-II, w/TIP 1.1.3.2-15 +  Retrofit Kit, COP I to COP III, see p. 6 and TIP 1.1.3.2-27
9	AAA25000C1 ABA25000C1 AAA25000ES1	Sub-Assembly, CPU/Pocket Handle w/PC Board, CPU, COP-II Retrofit Kit, COP II to COP III, see p. 6 and TIP 1.1.3.2-27




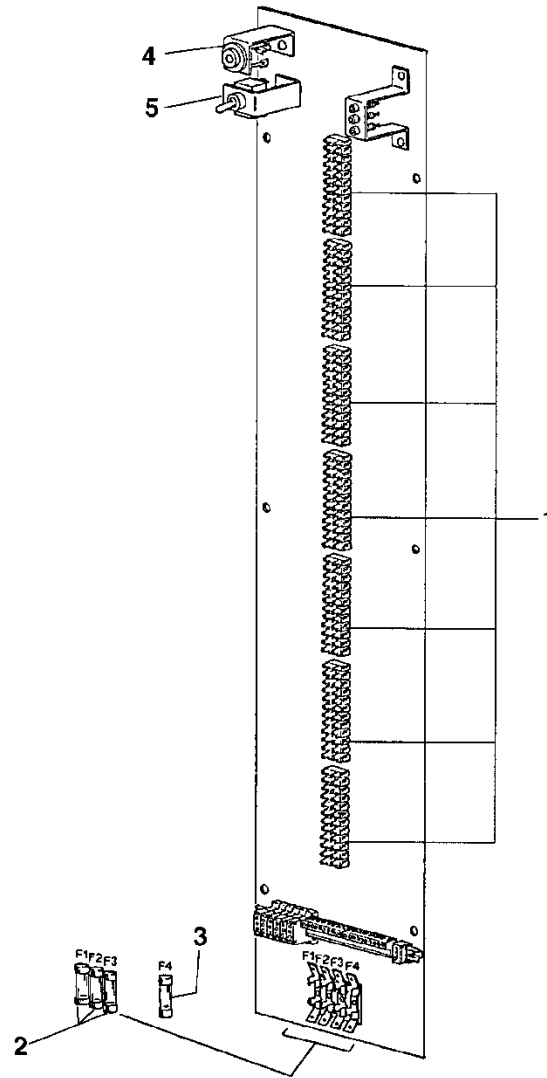
REF. No.	W/O & Y 01 PART No.	DESCRIPTION
1	AAA174JX4	Assembly, Cable (JA-J1, J2) for COP III
2	AAA174JX5	Assembly, Cable (JB-J3, J4) for COP III
3	AAA174JX6	Assembly, Cable (JC-J5, J6) for COP III
4	174EA2	Assembly, Cable, COP III Speech
5	AAA174KB1	Assembly, Cable, Remote
6	AAA25000ER1	Assembly, COP III Processor and I/O Board w/ COP III Software
7	174HT10	Extension Cable, 9-pin, for Service Tool, 974 mm (38 in.)
8	AAA26800ABX001	PC Board, COP-II Remote
9	ACA26800AWD1-COPIII	PC Board, Processor Board w/COP III Software
10	AAA26800AWC1	PC Board, I/O Board, COP III
11	AAA25000ES4	Retrofit Kit, COP I to COP III, see TIP 1.1.3.2-27
	AAA25000ES1	Retrofit Kit, COP II to COP III, see TIP 1.1.3.2-27

Battery Pack, Buzzer, Keyswitch, & Relay


31-7155A



REF. No.	W/O & Y 01 PART No.	DESCRIPTION
1	718AAE1	Battery Pack
2	6219F1	Buzzer
3	---	Keyswitch, Type 6410W,  SPL 31-7069AH
4	P613AZ1	Relay



W/O & Y 01

REF. No.	PART No.	DESCRIPTION	SYMBOL
1	303CN1	Block, Terminal, Fixed (female)	---
	303CN2	Block, Terminal, Harness (male)	---
2	375P2 AAA375BT27	Fuse, 2A	F1, F2, F3
3	375P28 AAA375BT12	Fuse, 10A	F4
4	6599F2	Jack, Phone,  SPL 31-6599F for Cutout Hole Dimensions	---
5	6599A4	Switch, Toggle, SPST	---