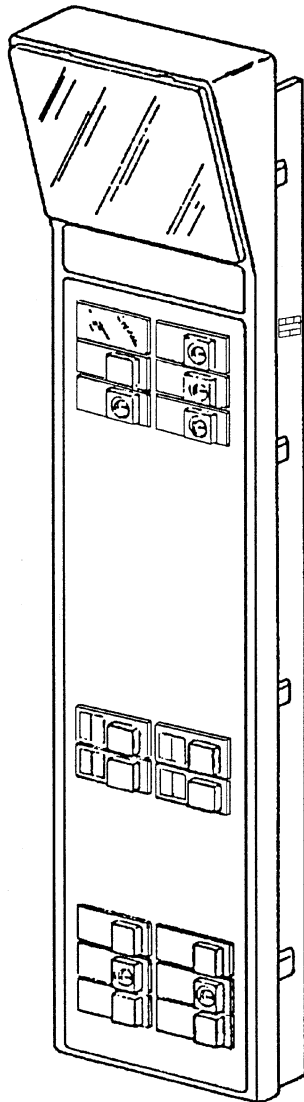


# LRS3 and LRVH Car Operating Panel

Spare Parts Leaflet

31-7155AB

January 24, 2018 / Page 1 of 11



W/O VINTAGE		
-------------	--	--

31	7155AB	
		Y 01
REV	EN	

31	A7155AB	
		Y 01
REV	EN	

31	B7155AB	
		Y 01
REV	EN	

# OTIS

This document does not contain any technical data subject to EAR or ITAR

SERVICE ENGINEERING  
Otis Elevator Company  
Bloomfield, Connecticut USA

Unpublished Work—© Otis Elevator Co.; 2018

## Leaflet Description

This leaflet details car operating panel assembly used in LRS3 and LRVH.

## Leaflet Revisions

Date Revised	Subject Matter Expert	Reason for Revision
August 1997	Katherine Smith	New leaflet
January 1, 2001	Val Minnes	Added history page, corrected part numbers and illustration on p. 4, and broke up dense pages.
April 26, 2002	Ali Bozorgzadeh	Updated parts information on pp. 4 & 6.
June 16, 2010	Joseph Zych	Added capacity plates and ordering instructions.
September 15, 2010	Matt Fournier	Updated relay replacement kit part number and picture on page 5 and replaced touch tone interface PC board picture on page 6
May 25, 2011	Matt Fournier	Added cover plate and standoff parts on p. 6
September 14, 2016	Oliver Cai	Added symbol note for Ref. 6 on p. 5; Added p/n AAA26800AZT1 for Ref. 6 on p. 6
August 30, 2017	Oliver Cai	Corrected part number on p. 6
January 24, 2018	Oliver Cai	Added p/n AAA26800AZT2 on p. 6

## Related Drawings

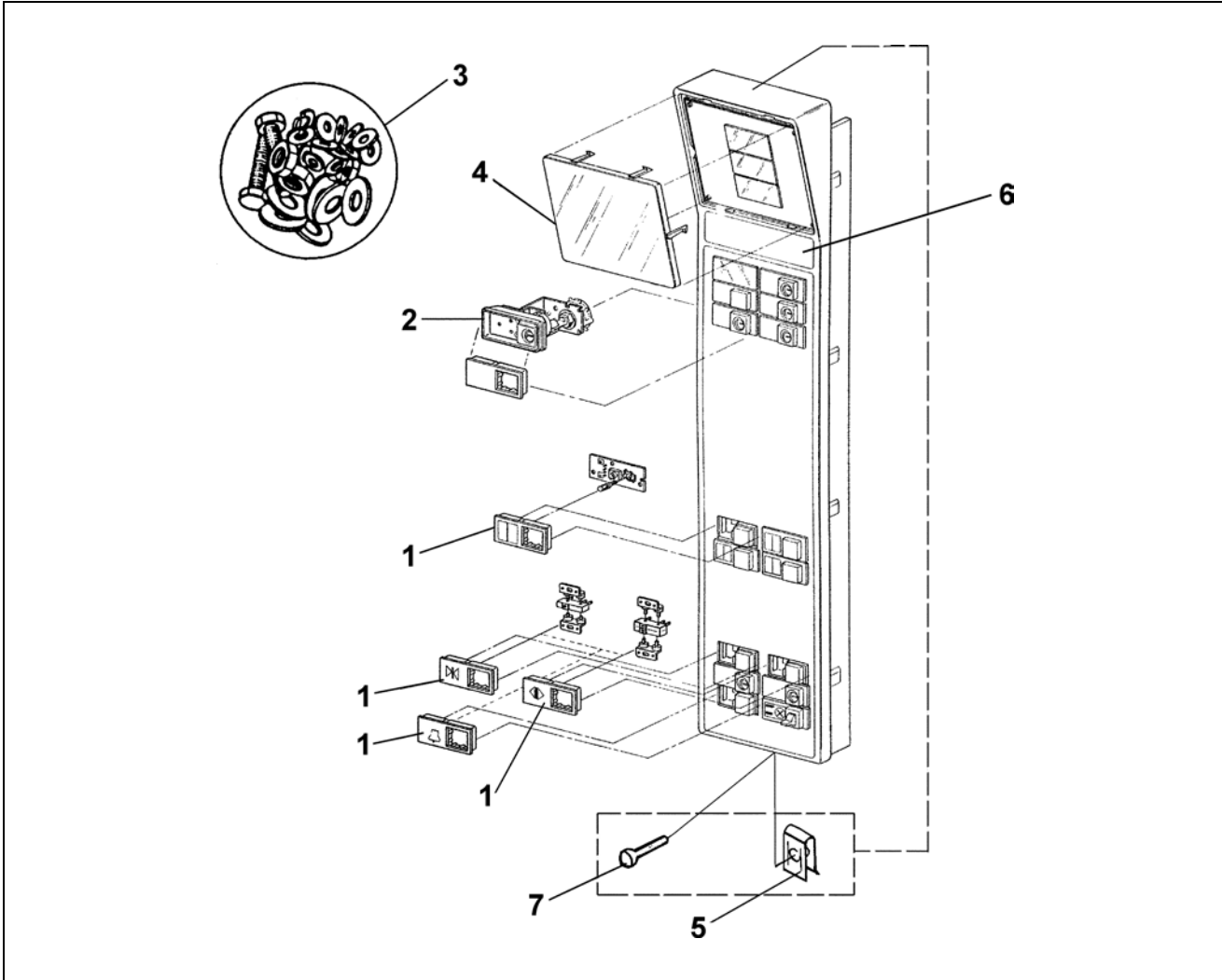
Drawing No.	Title
7155AB	LRS3-Hydro 2-Row Microcomputer Car Operating Panel Assembly

## Related Documents

Document ID	Title
SPL 31-7069AF	Component Fixtures for Car Operating & Hall Panels
SPL 31-7069AG	Jewel Modules for Car and Hall Panels 3-Wire Configuration with Incandescent Lamps
SPL 31-7155R	LRV2 & LRS Car Operating Panel
SPL 31-7155T	LRV3, LRV4, LRV4L Car Operating Panel
SPL 31-AAA7069BH	Keypress Modules
TIP 24.4-17	LRS/LHM Software Contract Survey Form

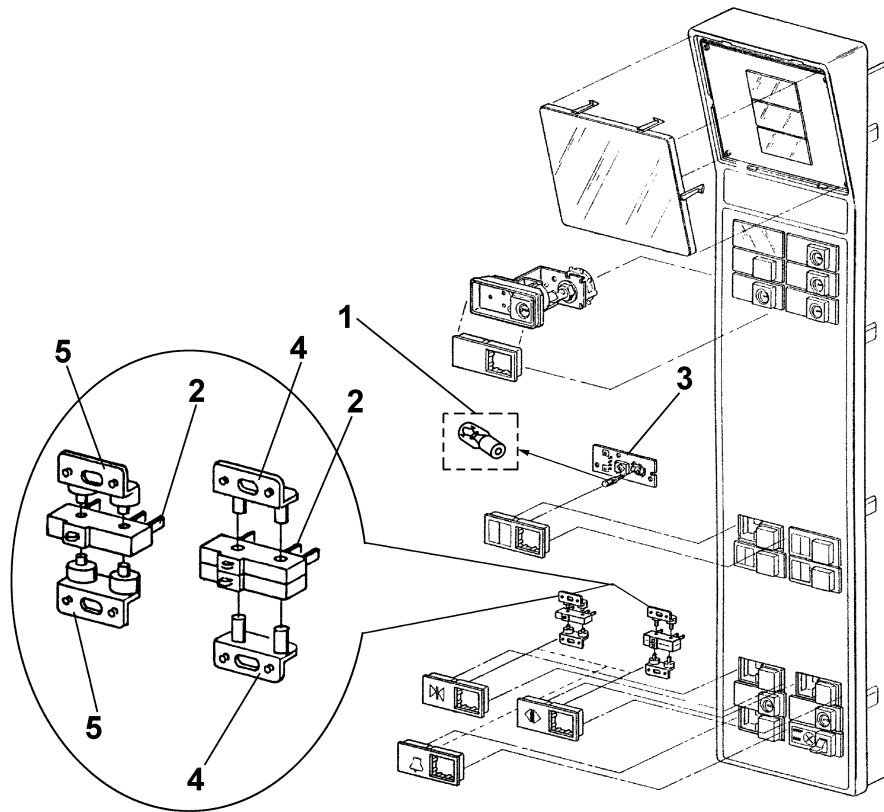
## Subject Matter Expert

Name	Department
Oliver Cai	OSC Service Engineering



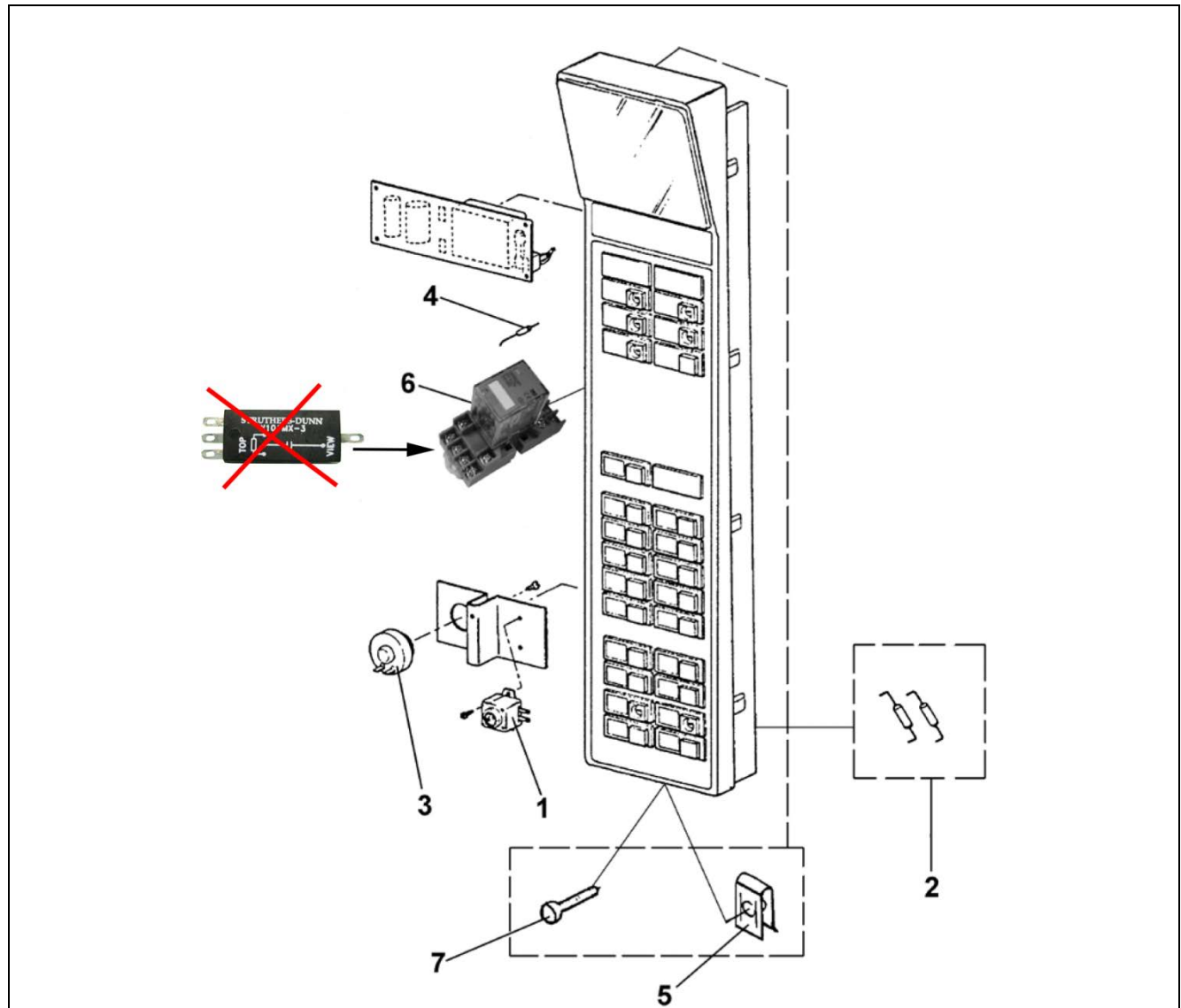
W/O VINTAGE &  
VINTAGE Y 01

REF. No.	PART No.	DESCRIPTION
1	---	Buttons & Jewels,  SPL 31-7069AF
2	---	Keyswitch, Type 7069AH,  7155AB,  SPL 31-7069AH
		Keyswitch, Type AAA7069BH,  A7155AB,  SPL 31-AAA7069BH
		Keyswitch, Type AAA7069AAK,  B7155AB,  SPL 31-AAA7069AAK
3	2700CAL3	Kit, Miscellaneous Hardware & Standoffs
4	443CH1	Lens, Green
	443CH2	Lens, Red
5	72BX6	Nut, Speed
6	147MJ_-26WT_	Plate, Capacity,  Ordering Instructions on Page 8
7	VP-855550	Screw, Temper Resistant, 10-24 x 1 in. (oval head)



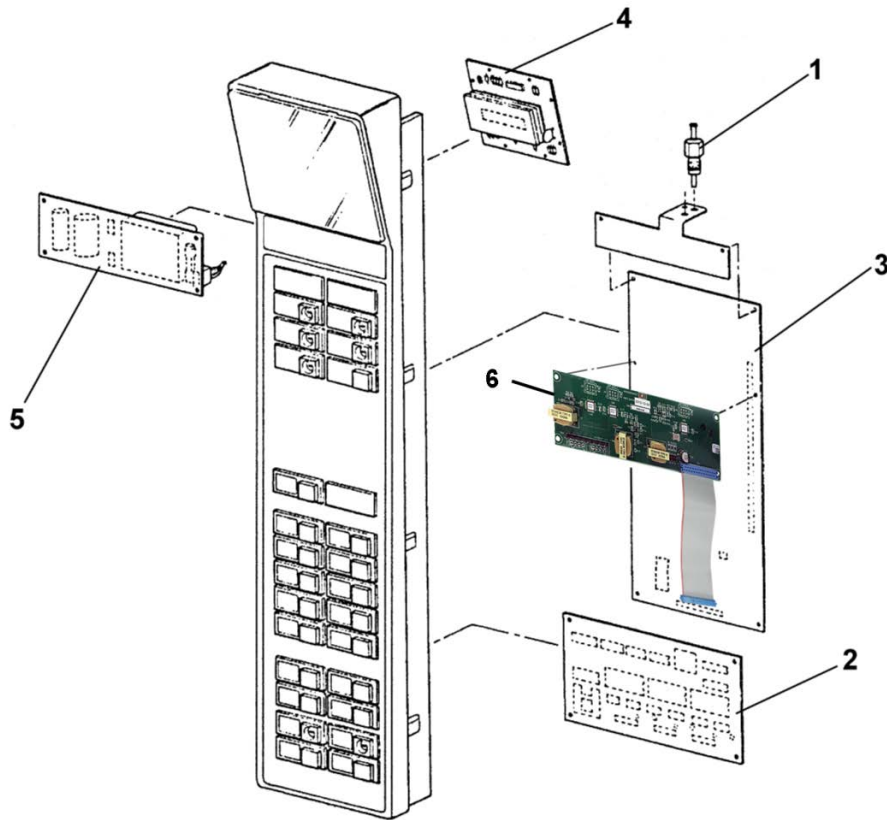
W/O VINTAGE &  
VINTAGE Y 01

REF. No.	PART No.	DESCRIPTION
1	AAA00625AAA001 AAA629AY1	Diode, Light Emitting (Amber)
	AAA00625AAA002 AAA629AY2	Diode, Light Emitting (Red)
	AAA00625AAA003 AAA629AY3	Diode, Light Emitting (Orange)
	AAA629BD1	Diode, Light Emitting (Green)
	424R1	Lamp, Incandescent
2	177DA1	Microswitch
3	8200KA2	PCB, w/Lamp 424R1
	8200KA4	PCB, w/LED AAA629AY3 (Orange)
4	180DA1	Switch-Holder, Double
5	180DA2	Switch-Holder, Single




W/O VINTAGE &  
VINTAGE Y 01

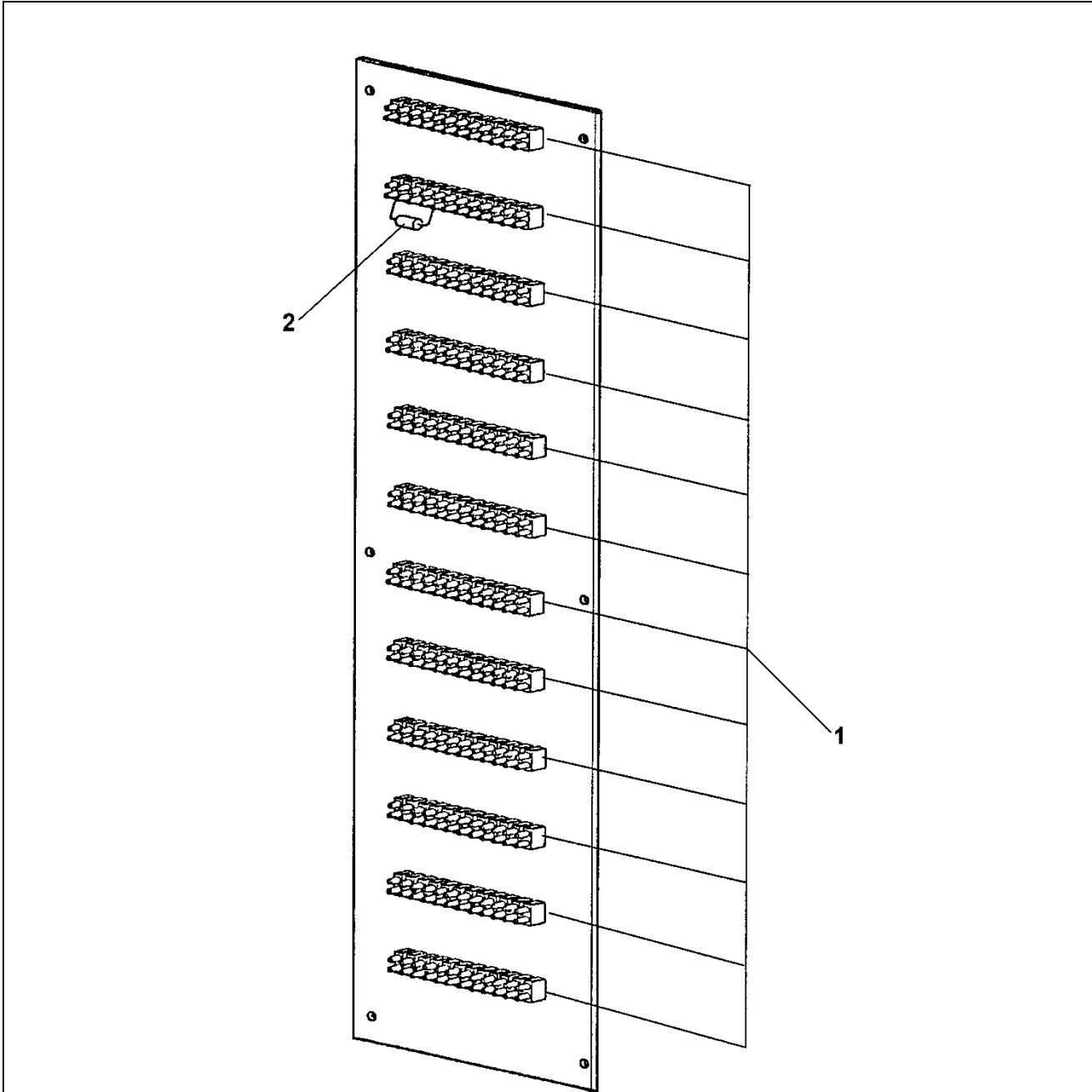
REF. No.	PART No.	DESCRIPTION	SYMBOL
1	6219F3 6219F2	Buzzer	---
2	P226BJ3 AAA226FH34	Capacitor	---
3	A6219G2	Device, Audible Signal	---
4	P612M1 AAA612T4	Diode	---
5	72BX6	Nut, Speed	---
6	630E1 AAA27076EE1	Relay Replacement Kit	RV
7	VP-855550	Screw, Tamper Resistant, 10-24 x 1 in. (oval head)	---



W/O VINTAGE &  
VINTAGE Y 01

REF. No.	PART No.	DESCRIPTION	
1	P605G1	Filter, EMI	
2	A8121BF1	PC Board, Communications Interface (for A, B, C, D 8121BC1 only)	
3	A8121BC1 B8121BC1 C8121BC1 D8121BC1	PC Board, Micro Computer, w/o REM, U64	 TIP 24.4-17 for Contract Software
	E8121BC1 F8121BC1	PC Board, Micro Computer, w/REM, U11	
4	B8200DA4 ABA26800HJ1 ACA26800HJ1	PC Board, Position Indicator	
5	B8121BA2	PC Board, Power Supply	
6	B8121BJ1 AAA26800AZT1	PC Board, Touch Tone Interface, Terminal Block	
	AAA26800AZT2	PC Board, Touch Tone Interface, Wago Connector	
*	A386CAB3	Plate, Cover, use w/ F8121BC1	
*	354AG11	Standoff, 1.0 in. L, use w/ A386CAB3	
*	354AG6	Standoff, 1/4 in. L, use w/ A386CAB3	

\* Parts not shown.

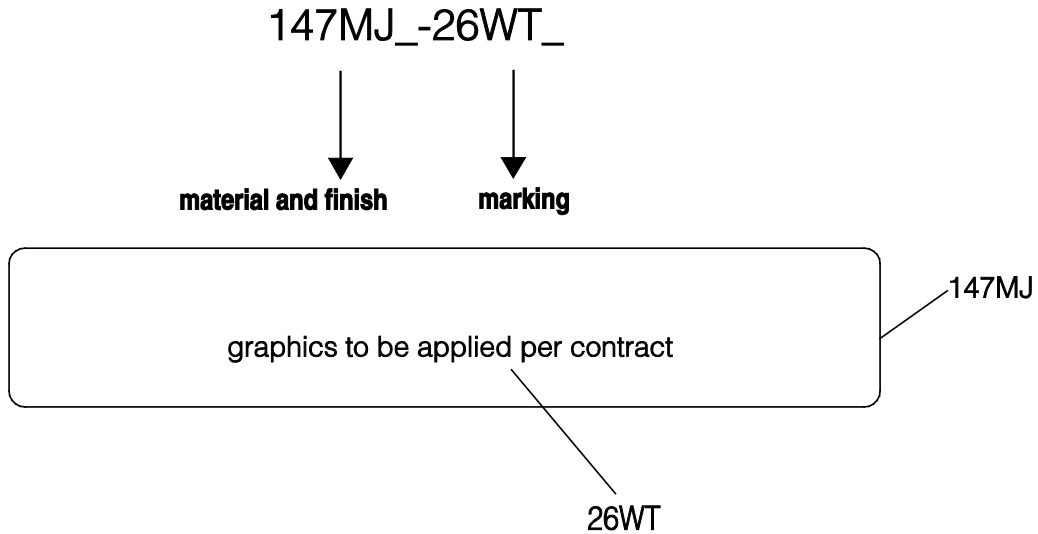


W/O VINTAGE &  
VINTAGE Y 01

REF. No.	PART No.	DESCRIPTION
1	303CN1	Block, Female Terminal
2	226EH2	Capacitor

**NOTE:** When ordering the capacity faceplate, you need to complete the part number based on the material, finish, and markings listed on pages 10–11.

To specify capacity plate markings, use the following nomenclature:



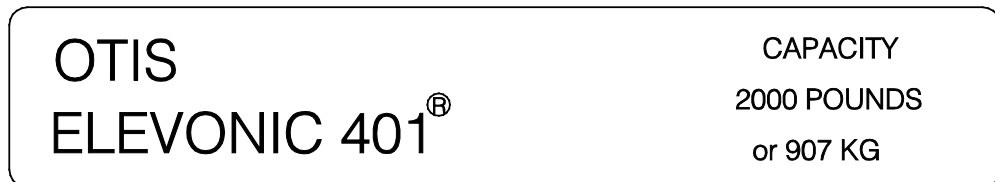
**Example 1:** 147MJ2-26WT1 is a bronze faceplate (Otis #7 finish with markings as in Figure 1, with capacity markings of “1500 Pounds or 680KG”).

FIGURE 1



**Example 2:** 147MJ6-26WT33 is a ferritic steel faceplate (Mill #4 finish with markings as in Figure 3, with capacity markings of “2000 Pounds or 907 KG”).

FIGURE 3



PART No.	DESCRIPTION	Material	Finish
147MJ1	Faceplate	Stainless Steel	Otis #3
147MJ2		Bronze	Otis #7
147MJ3		Stainless Steel	Mill #4
147MJ4		Stainless Steel	STN Mirror #8
147MJ5		Bronze	Brass Mirror #8
147MJ6		Ferritic Steel	Mill #4



FIGURE 1	<p style="text-align: center;"><b>OTIS</b></p> <p style="text-align: right;">CAPACITY 1500 POUNDS or 680 KG</p>	
FIGURE 2	<p>CAPACITE MAXIMALE 1500 LB ou 680 KG ou 9 PERSONNES</p>	<p style="text-align: center;"><b>OTIS</b></p> <p style="text-align: right;">MAXIMUM CAPACITY 1500 LB or 680 KG or 9 PERSONS</p>
FIGURE 3	<p style="text-align: center;"><b>OTIS</b> <b>ELEVONIC 401<sup>®</sup></b></p> <p style="text-align: right;">CAPACITY 2000 POUNDS or 907 KG</p>	
FIGURE 4	<p style="text-align: center;"><b>OTIS</b></p> <p style="text-align: right;">MAXIMUM CAPACITY 1500 LB or 680 KG or 9 PERSONS</p>	
FIGURE 5	<p style="text-align: center;"><b>OTIS</b></p> <p style="text-align: right;">CAPACITE MAXIMALE 1500 LB ou 680 KG ou 9 PERSONNES</p>	
FIGURE 6	<p style="text-align: center;"><b>OTIS</b> <b>ELEVONIC 401<sup>®</sup></b></p> <p style="text-align: right;">MAXIMUM CAPACITY 2000 LB or 907 KG or 12 PERSONS</p>	
<p><b>NOTE:</b> See part numbers on pages 10–11.</p>		

(Continued on next page)

Figure No.	PART No.	MESSAGE DESCRIPTION	
1 (see page 9)	26WT1	Capacity 1500 Pounds or 680 KG	
	26WT2	Capacity 2000 Pounds or 907 KG	
	26WT3	Capacity 2500 Pounds or 1134 KG	
	26WT4	Capacity 3000 Pounds or 1361 KG	
	26WT5	Capacity 3500 Pounds or 1588 KG	
	26WT6	Capacity 4000 Pounds or 1814 KG	
	26WT7	Capacity 4500 Pounds or 2041 KG	
	26WT8	Capacity 5000 Pounds or 2268 KG	
	26WT54	Capacity 2100 Pounds or 953 KG	
2 (see page 9)	26WT17	1500 Pounds ou 680 KG ou 9 Personnes	1500 Pounds or 680 KG or 9 Persons
	26WT18	2000 Pounds ou 907 KG ou 12 Personnes	2000 Pounds or 907 KG or 12 Persons
	26WT19	2500 Pounds ou 1134 KG ou 15 Personnes	2500 Pounds or 1134 KG or 15 Persons
	26WT20	3000 Pounds ou 1361 KG ou 18 Personnes	3000 Pounds or 1361 KG or 18 Persons
	26WT21	3500 Pounds ou 1588 KG ou 21 Personnes	3500 Pounds or 1588 KG or 21 Persons
	26WT22	4000 Pounds ou 1814 KG ou 25 Personnes	4000 Pounds or 1814 KG or 25 Persons
	26WT23	4500 Pounds ou 2041 KG ou 28 Personnes	4500 Pounds or 2041 KG or 28 Persons
	26WT24	5000 Pounds ou 2268 KG ou 31 Personnes	5000 Pounds or 2268 KG or 31 Persons
	26WT56	2100 Pounds ou 953 KG ou 12 Personnes	2100 Pounds or 953 KG or 12 Persons
3 (see page 9)	26WT33	2000 Pounds or 907 KG	
	26WT34	2500 Pounds or 1134 KG	
	26WT35	3000 Pounds or 1361 KG	
	26WT36	3500 Pounds or 1588 KG	
	26WT37	4000 Pounds or 1814 KG	
	26WT38	4500 Pounds or 2041 KG	
	26WT39	5000 Pounds or 2268 KG	

(Continued on next page)

# Capacity Plate Markings List

31-7155AB

Figure No.	PART No.	MESSAGE DESCRIPTION
4 (see page 9)	26WT9	1500 Pounds or 680 KG or 9 Persons
	26WT10	2000 Pounds or 907 KG or 12 Persons
	26WT11	2500 Pounds or 1134 KG or 15 Persons
	26WT12	3000 Pounds or 1361 KG or 18 Persons
	26WT13	3500 Pounds or 1588 KG or 21 Persons
	26WT14	4000 Pounds or 1814 KG or 25 Persons
	26WT15	4500 Pounds or 2041 KG or 28 Persons
	26WT16	5000 Pounds or 2268 KG or 31 Persons
	26WT55	2100 Pounds or 953 KG or 12 Persons
5 (see page 9)	26WT25	1500 Pounds ou 680 KG ou 9 Personnes
	26WT26	2000 Pounds ou 907 KG ou 12 Personnes
	26WT27	2500 Pounds ou 1134 KG ou 15 Personnes
	26WT28	3000 Pounds ou 1361 KG ou 18 Personnes
	26WT29	3500 Pounds ou 1588 KG ou 21 Personnes
	26WT30	4000 Pounds ou 1814 KG ou 25 Personnes
	26WT31	4500 Pounds ou 2041 KG ou 28 Personnes
	26WT32	5000 Pounds ou 2268 KG ou 31 Personnes
	26WT57	2100 Pounds ou 953 KG ou 12 Personnes
6 (see page 9)	26WT40	2000 Pounds or 907 KG or 12 Persons
	26WT41	2500 Pounds or 1134 KG or 15 Persons
	26WT42	3000 Pounds or 1361 KG or 18 Persons
	26WT43	3500 Pounds or 1588 KG or 21 Persons
	26WT44	4000 Pounds or 1814 KG or 25 Persons
	26WT45	4500 Pounds or 2041 KG or 28 Persons
	26WT46	5000 Pounds or 2268 KG or 31 Persons