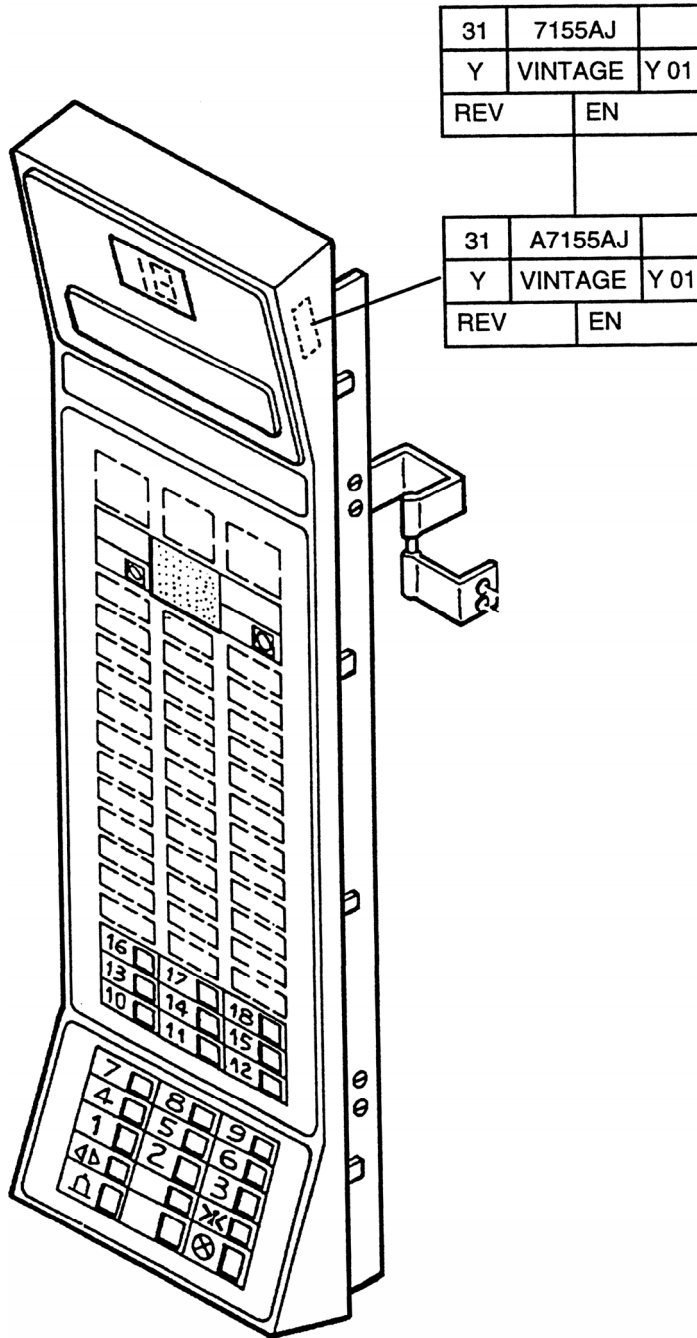


MRQ Car Operating Panel

Spare Parts Leaflet

31-7155AJ

April 14, 2010 / Page 1 of 7



OTIS

Safety First!

SERVICE ENGINEERING
 Otis Elevator Company
 Bloomfield, Connecticut USA

Leaflet Description

This leaflet provides spare parts information for type 7155AJ car operating panel.

Leaflet Revisions

Date Revised	Subject Matter Expert	Reason for Revision
February 1992	---	New SPL
September 1997	---	Updated parts
April 14, 2010	Michael Bertini	Added reference to 6599F phone jack assembly on p. 6.

Related Drawings

Drawing No.	Title	Drawing No.	Title
7155AJ	3 Row Spec 60VF Car Operating Panel Assembly	---	---

Related Documents

Document ID	Title
31-7069AF	Advanced Fixtures Component Fixtures for Car Operating & Hall Panels
31-7069AG	Jewel Modules for Hall and Car Panels: 3-Wire Configuration with Incandescent Lamps/LED Options
31-7069AH	Advanced Fixture—Part, 7069AH Keyswitch Module
31-AAA7069BH	Advanced Fixtures—Car, Keyswitch Module
31-6599F	Phone Jack Assembly

Subject Matter Expert

Name	Department
Michael Bertini	OSC Service Engineering

About Spare Parts Leaflets...

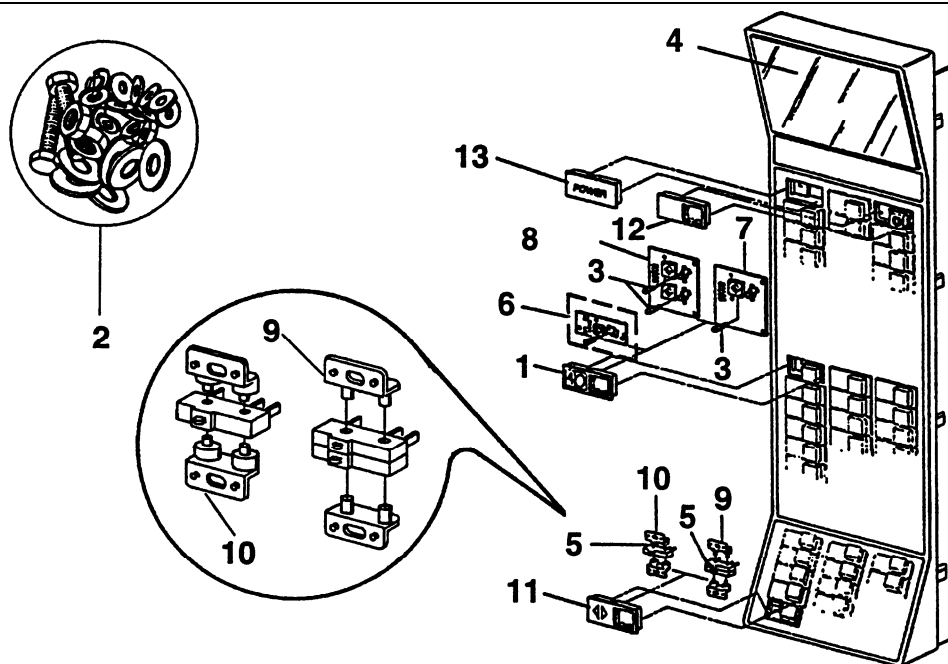
This document lists the lowest replaceable units (LRUs) for the standard version of the product. The LRUs are chosen by a team of Otis associates representing engineering and manufacturing.

While goal of this document is to make parts identification as easy as possible, the document cannot be all-inclusive. Elevator and escalator contracts classified as “special” or “custom” are not addressed here. For such contracts, please refer to specified information, the contract folder, TIPS, Field Education Articles, Construction Letters, etc. for further information.

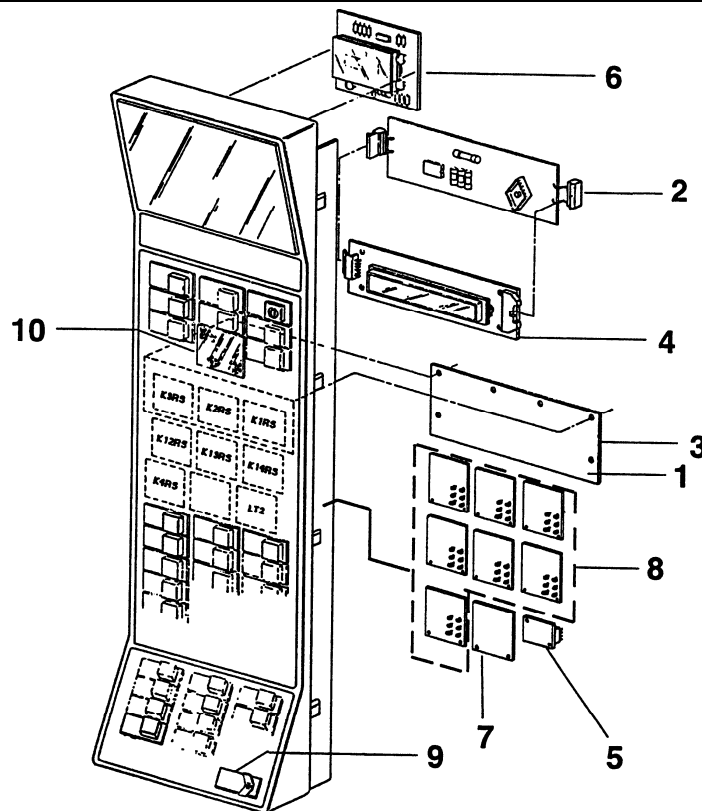
If you have any suggestions about this document, please contact the subject matter expert listed on this page.

Microswitch, Switch Holder, & Lens

31-7155AJ



REF. No.	PART No.	DESCRIPTION
	7155AJ A7155AJ	
1	---	Floor Button, Type 7069BF, SPL 31-7069AF
2	2700CAL1 424R1	Kit, Miscellaneous Hardware & Standoffs Lamp, Incandescent
3	AAA00625AAA003 AAA629AY1 AAA629BD2	LED, Yellow
	AAA00625AAA002 AAA629AY2	LED, Red
	AAA00625AAA004 AAA629AY3 AAA629BD5	LED, Orange
	AAA629AY17	LED, Red/Green (White)
	4	443CA1
5	177DA1	Microswitch
6	8200KA2	PC Board, w/424R1 Lamp
7	A9693C3 B9693C3	PC Board, Remote Station, 1-Button Module w/Lamp
8	A9693C2 B9693C2	PC Board, Remote Station, 2--Button Module w/Lamp
9	180DA1	Switch Holder, Double
10	180DA2	Switch Holder, Single
11	---	Buttons, Type 7069AF, SPL 31-7069AF
12	---	Keyswitch, Type 7069AH, SPL 31-7069AH
	---	Keyswitch, Type A**7069BH, SPL 31-AAA7069BH
	---	Keyswitch, Type A**7069AAK, SPL 31-AAA7069AAK
13	---	Jewels, Type 7069AG, SPL 31-7069AG

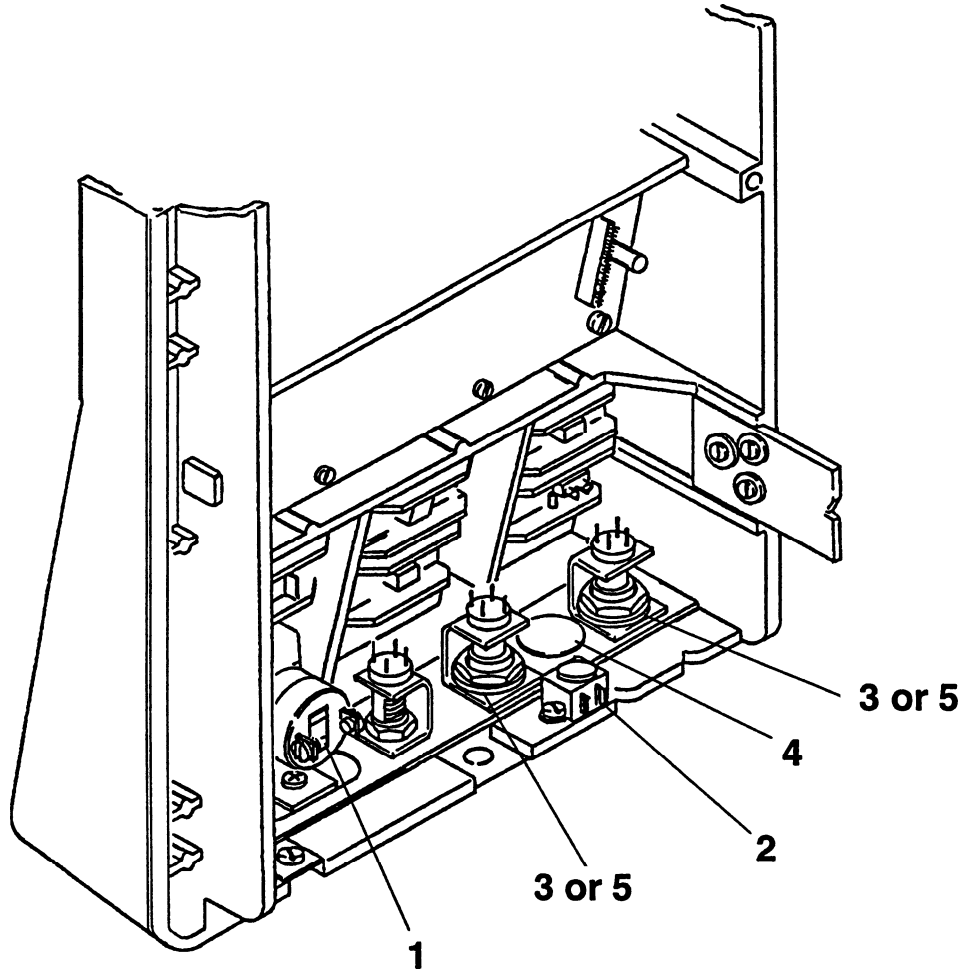


	7155AJ	A7155AJ	
REF. No.	PART No.		DESCRIPTION
1	---		Kit, Miscellaneous Hardware & Standoffs
2	8200AM1		PC Board, Information Display Adaptor
3	A8200EB1 AAA26800ZZ1 ABA26800ZZ1		PC Board, Communication, American Female Speech, 👁️ NOTE
	A8200EB3		PC Board, Communication, Non-Standard Speech
4	8200FA1		PC Board, Information Display
5	9693J1	AAA26800UX1	PC Board, Line Terminator, 1 or 2 Car Group (75 Ω)
	9693J2	AAA26800UX2	PC Board, Line Terminator, 3 or more Car Group (50 Ω)
6	B8200DA1 AAA26800HJ1 ABA26800HJ1 ACA26800HJ1		PC Board, Position Indicator
7	A8200EB4 C8200EB2		PC Board, Speech Interface Module
8	9693C4 GCA23550D1		Remote Station Module (K1RS, K2RS, K3RS, K4RS)
9	---		Switch Emergency Stop, Type 7069AK, 👁️ SPL 31-7069AK
10	---		Intercom Module, Type 7069AL, 👁️ SPL 31-7069AL

NOTE: A8200EB1 can only be replaced with A8200EB1 or ABA26800ZZ1; ABA26800ZZ1 can only be replaced with ABA26800ZZ1.

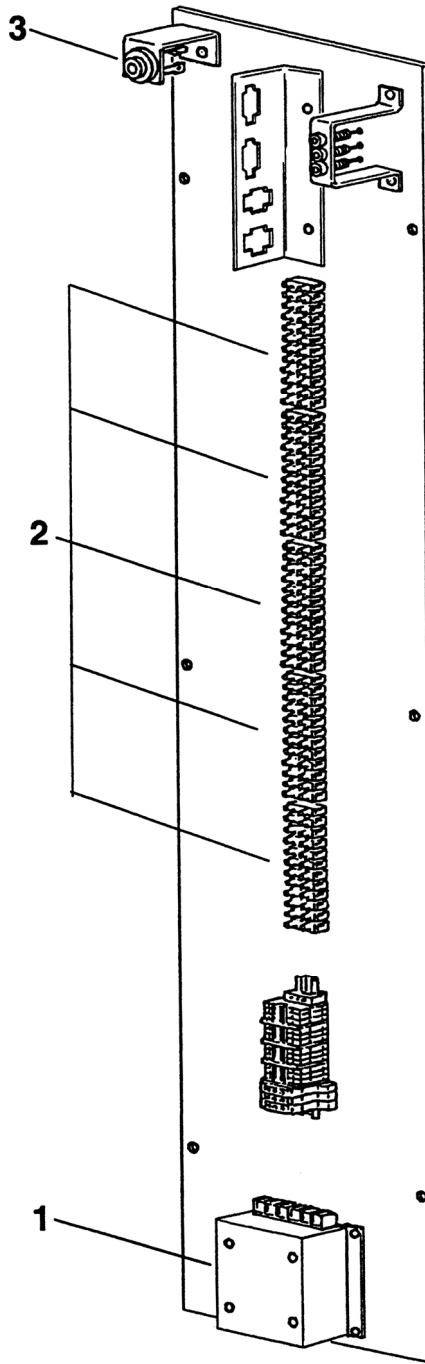
Audible Signal Device


31-7155AJ



7155AJ A7155AJ		
REF. No.	PART No.	DESCRIPTION
1	6219G2 A6219G2	Audible Signal Device
2	6219F1 6219F3	Buzzer
3	---	Keyswitch, Type 6410W, SPL 31-7069AH
4	444BK2	Plug, 1.625 Inch Diameter
5	444BK1	Plug, 1.00 Inch Diameter

Terminal Block & Switch



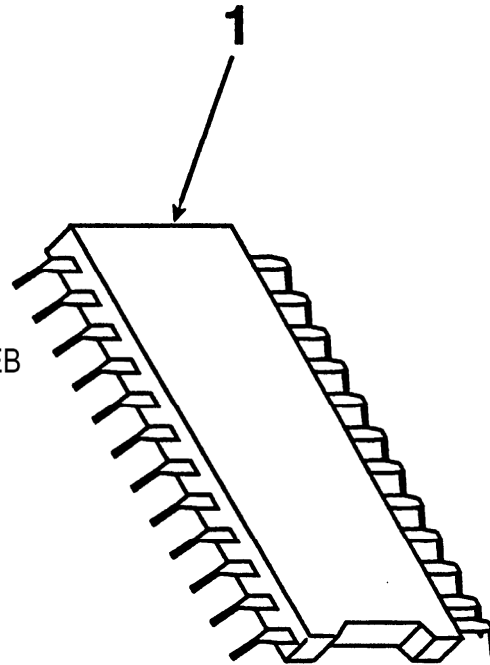
VINTAGE Y 01		
REF. No.	PART No.	DESCRIPTION
1	P621D4	Power Supply
2	303CN2	Terminal Block, Male (Fixed)
	303CN1	Terminal Block, Female (Harness)
3	6599F2	Phone Jack,  SPL 31-6599F for Cutout Hole Dimensions

EPROM

31-7155AJ

Located on communication PC board A8200EB
(U14-U17, U19, U21, U23, and U25)

 page 4



VINTAGE Y 01		
REF. No.	PART No.	DESCRIPTION
1	616DJ1	EPROM, Operating Software
	616GJ2	EPROM, American Female Vocabulary
	616GJ5	EPROM, American Male Vocabulary
	616CJ8	EPROM, Australian Female Vocabulary
	616CJ11	EPROM, Australian Male Vocabulary
	616GJ14	EPROM, Bahase Female
	616GJ62	EPROM, Cantonese Female
	616GJ17	EPROM, French Female
	616GJ44	EPROM, French Male
	616GJ56	EPROM, German Female
	616GJ20	EPROM, German Male
	616GJ23	EPROM, Italian Female
	616GJ26	EPROM, Italian Male
	616GJ29	EPROM, Mandarin Chinese Female
	616GJ53	EPROM, Mandarin Chinese Male
	616GJ50	EPROM, Mandarin Chinese II Female
	616GJ32	EPROM, Queen's English Male
	616GJ35	EPROM, Spanish Female
616GJ38	EPROM, Spanish (Catalan) Female	