

SPL 31-7155B - Advanced Fixture - Part, Telephone, Cabinet

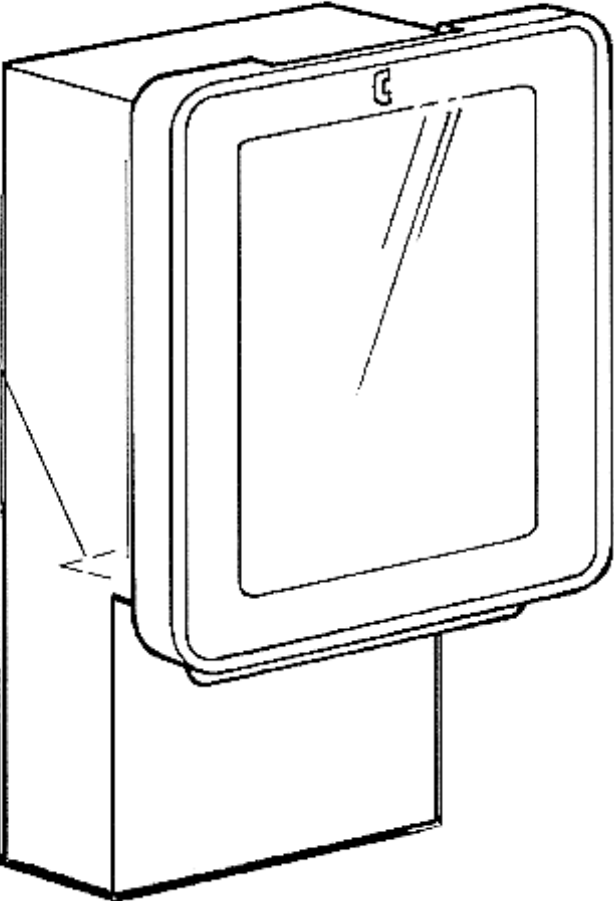
Unpublished Work - © Otis Elevator Company. Any unauthorized reproduction, disclosure, or distribution of copies or content by any person of any portion of this work may be a violation of Copyright Law of the United States of America. All rights reserved.

August 1995

Supersedes SPL 31-7155B Dated: September 1988

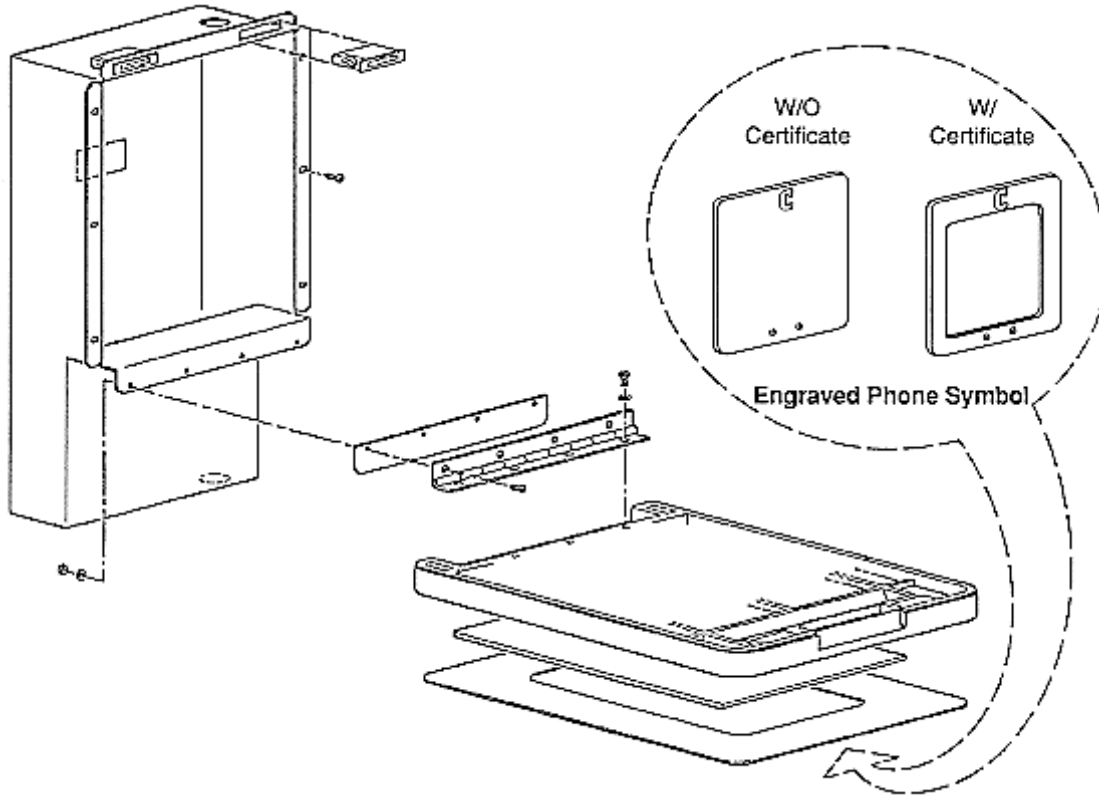
Page 1

31	7155B	
Y	VINTAGE	Y 01



SPL 31-7155B - Advanced Fixture - Part, Telephone, Cabinet

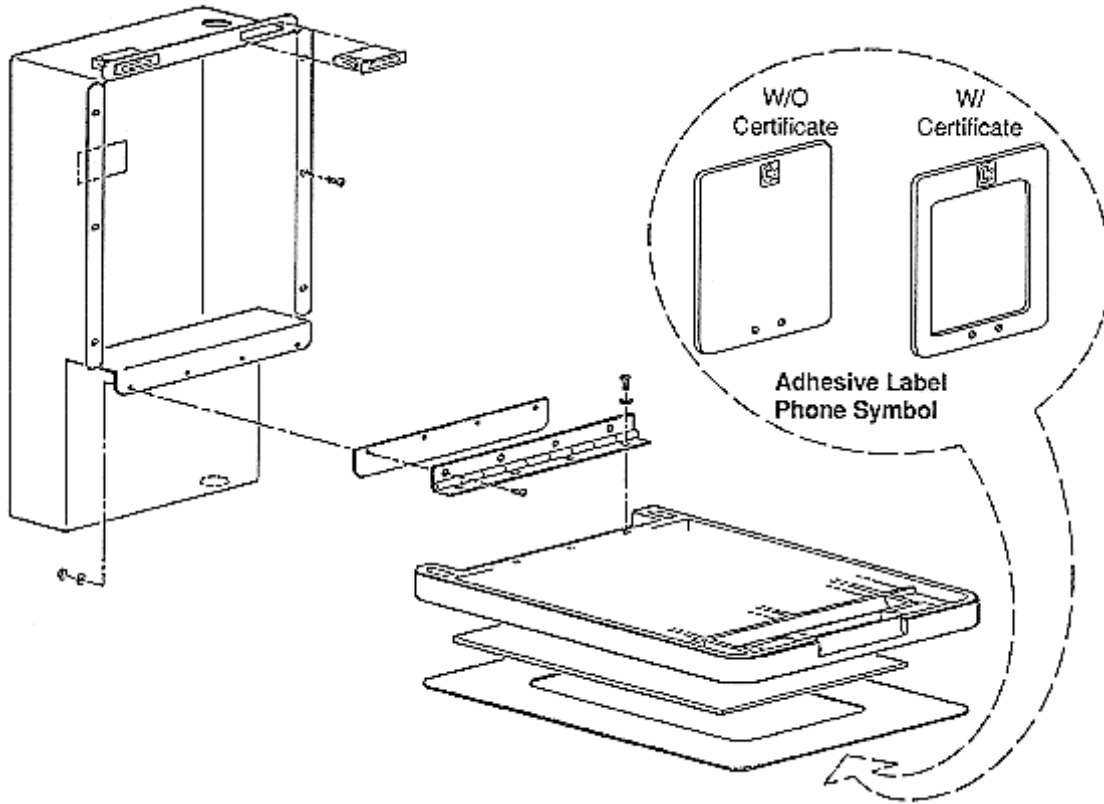
Page 2



REF. No.	PART OR ML	DESCRIPTION	Without VINTAGE & VINTAGE Y 01	
			CERTIFICATE HOLDER	FINISH
1	7155B2	Assembly, Telephone Cabinet w/Engraved Telephone Figure	With	Brass, Brushed
	7155B4		Without	Brass, Brushed
	7155B5		With	Stainless Steel, Brushed
	7155B6		Without	Stainless Steel, Brushed
	7155B7		With	Stainless Steel, Mirror
	7155B8		With	Brass, Minor
	7155B9		Without	Stainless Steel, Mirror
	7155B10		Without	Brass, Mirror

SPL 31-7155B - Advanced Fixture - Part, Telephone, Cabinet

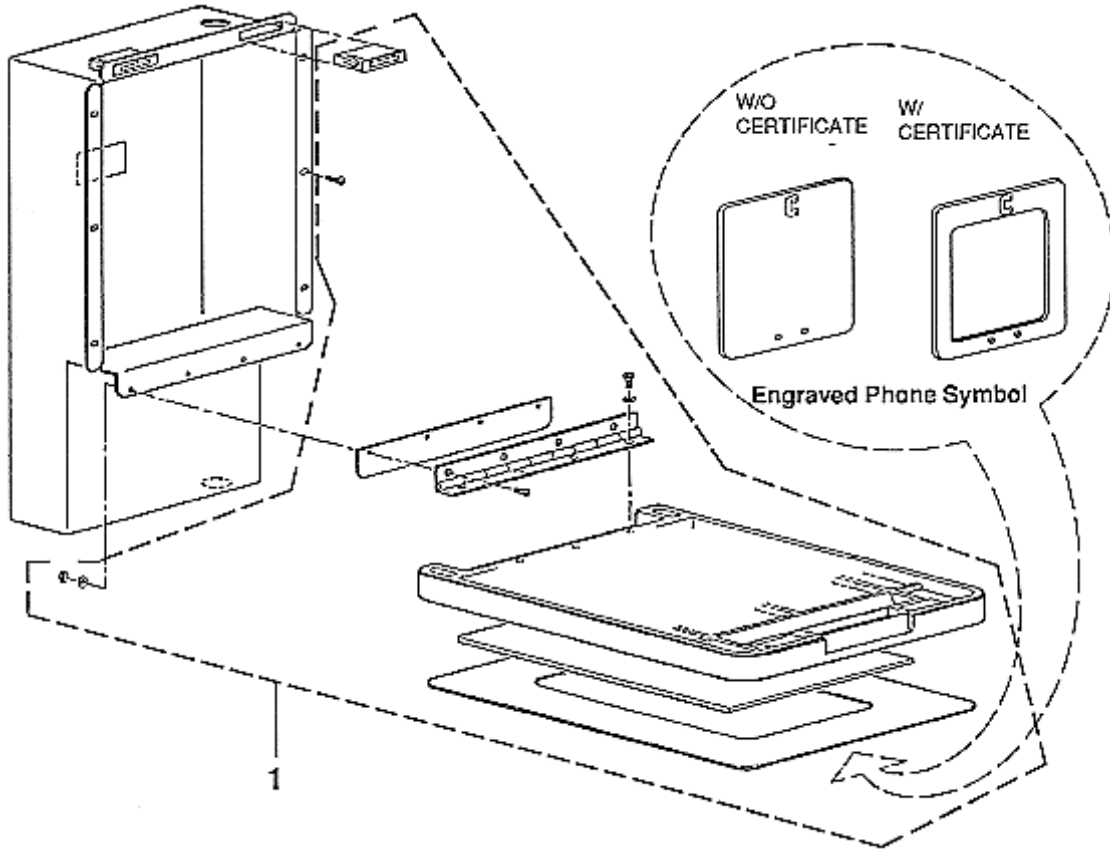
Page 3



REF. No.	PART OR ML	DESCRIPTION	Without VINTAGE & VINTAGE Y 01	
			CERTIFICATE HOLDER	FINISH
1	A7155B2	Assembly, Telephone Cabinet w/Adhesive Label Telephone Figure & Braille	With	Brass, Brushed
	A7155B4		Without	Brass, Brushed
	A7155B5		With	Stainless Steel, Brushed
	A7155B6		Without	Stainless Steel, Brushed
	A7155B7		With	Stainless Steel, Mirror
	A7155B8		With	Brass, Mirror
	A7155B9		Without	Stainless Steel, Mirror
	A7155B10		Without	Brass, Mirror

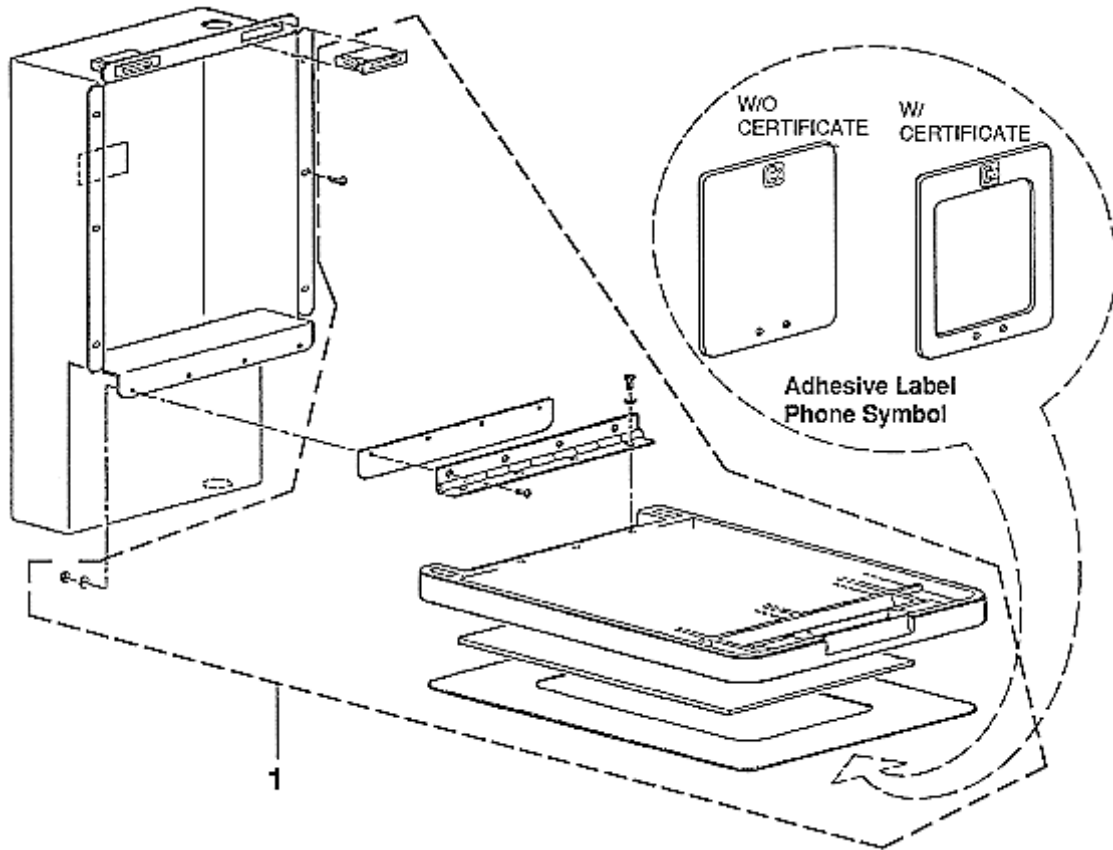
SPL 31-7155B - Advanced Fixture - Part, Telephone, Cabinet

Page 4



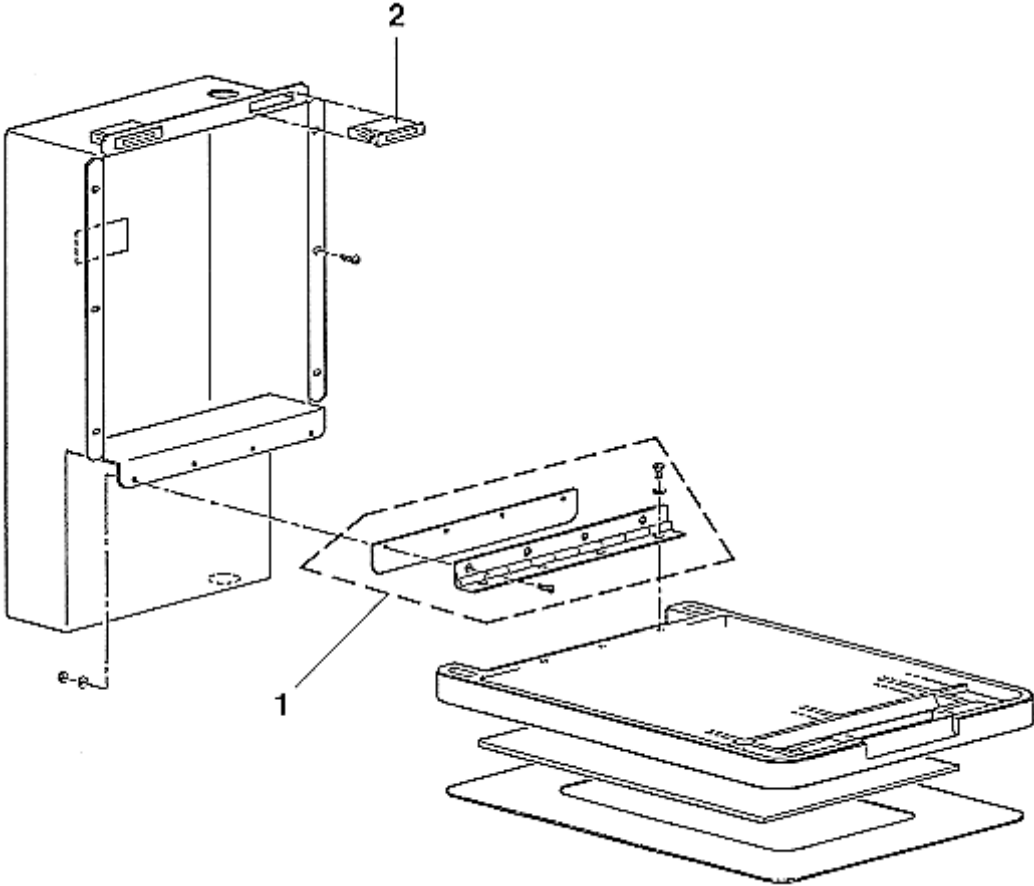
REF. No.	PART OR ML	DESCRIPTION	DESCRIPTION	
			CERTIFICATE HOLDER	FINISH
1	2700CAP2	Kit, Door Assembly w/Engraved Telephone Symbol	With	Brass, Brushed
	2700CAP4		Without	Brass, Brushed
	2700CAP5		With	Stainless Steel, Brushed
	2700CAP6		Without	Stainless Steel, Brushed
	2700CAP7		With	Stainless Steel, Mirror
	2700CAP8		Without	Brass, Mirror
	2700CAP9		Without	Stainless Steel, Mirror
	2700CAP10		Without	Brass, Mirror

SPL 31-7155B - Advanced Fixture - Part, Telephone, Cabinet



REF. No.	PART OR ML	DESCRIPTION	Without VINTAGE & VINTAGE Y 01	
			CERTIFICATE HOLDER	FINISH
1	2700CAP12	Kit, Door Assembly w/Adhesive Label Type Telephone Symbol & Braille NOTE: This group can be substituted for arrange- ments 2, 4-10 if aesthetic difference is acceptable.	With	Brass, Brushed
	2700CAP14		Without	Brass, Brushed
	2700CAP15		With	Stainless Steel, Brushed
	2700CAP16		Without	Stainless Steel, Brushed
	2700CAP17		With	Stainless Steel, Mirror
	2700CAP18		With	Brass, Mirror
	2700CAP19		Without	Stainless Steel, Mirror
	2700CAP20		Without	Brass, Mirror

SPL 31-7155B - Advanced Fixture - Part, Telephone, Cabinet



Without VINTAGE & VINTAGE Y 01		
REF. No.	PART OR ML	DESCRIPTION
1	2700CAP11	Kit, Hinge and Spring + Hardware for fastening
2	331BK1	Magnet