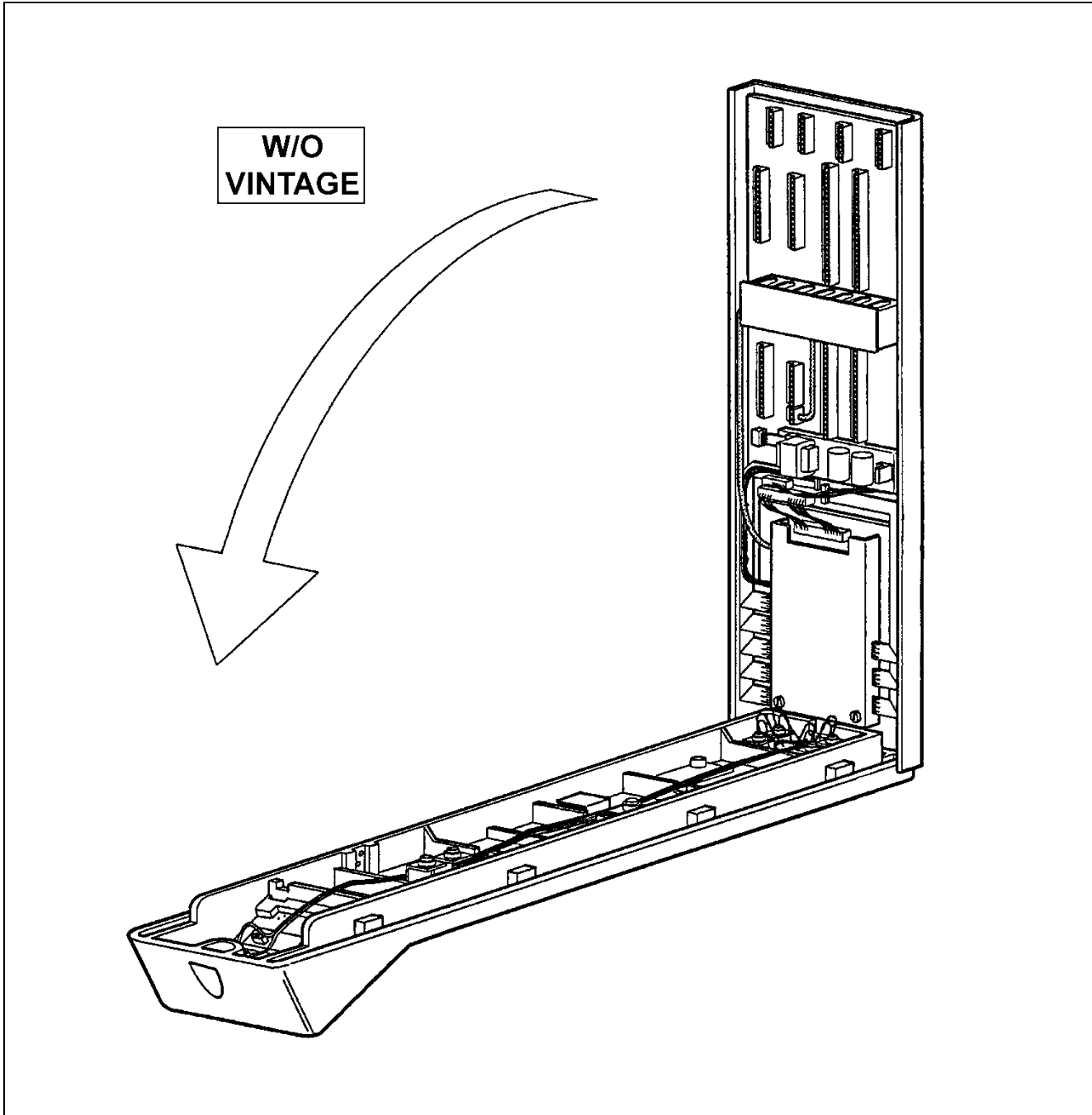


**Cab Interface PC
Board Mounting Plate
Assembly (Series 1)**

Spare Parts Leaflet

31-7155BA

May 25, 2011 / Page 1 of 5



OTIS

Safety First!

SERVICE ENGINEERING
Otis Elevator Company
Bloomfield, Connecticut USA

Leaflet Description

This leaflet provides spare parts information for cab interface PC board mounting plate assembly.

Leaflet Revisions

Date Revised	Subject Matter Expert	Reason for Revision
August 28, 2006	Joseph D. Zych	New Leaflet
May 25, 2011	Matt Fournier	Added cover plate and standoff parts on p. 3

Related Drawings

Drawing No.	Title	Drawing No.	Title
7155BA	Cab Interface PC Board Mounting Plate Assembly		

Related Documents

Document ID	Title
---	---

Subject Matter Expert

Name	Department
Matt Fournier	OSC Service Engineering

About Spare Parts Leaflets...

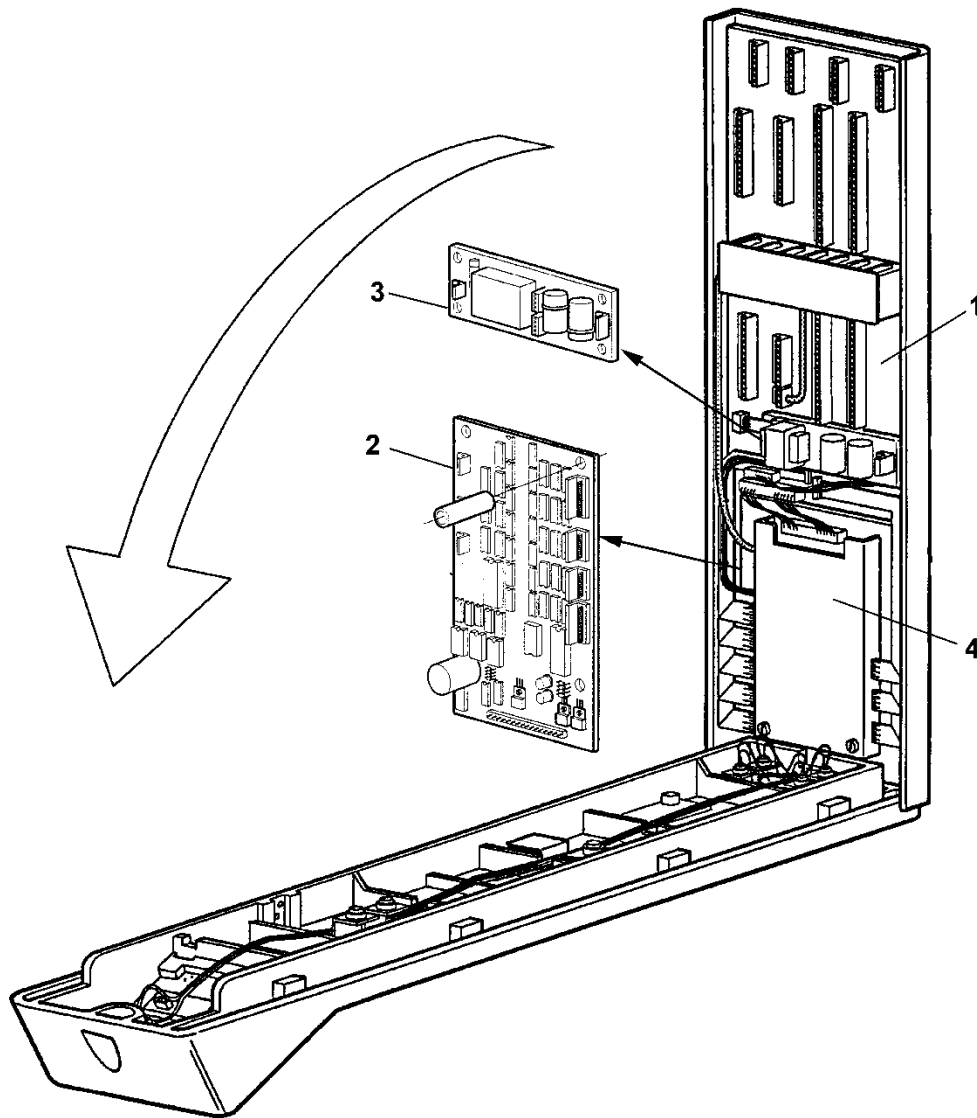
This document lists the lowest replaceable units (LRUs) for the standard version of the product. The LRUs are chosen by a team of Otis associates representing engineering and manufacturing.

While goal of this document is to make parts identification as easy as possible, the document cannot be all-inclusive. Elevator and escalator contracts classified as “special” or “custom” are not addressed here. For such contracts, please refer to specified information, the contract folder, TIPS, Field Education Articles, Construction Letters, etc. for further information.

If you have any suggestions about this document, please contact the subject matter expert listed on this page.

PC Boards

31-7155BA

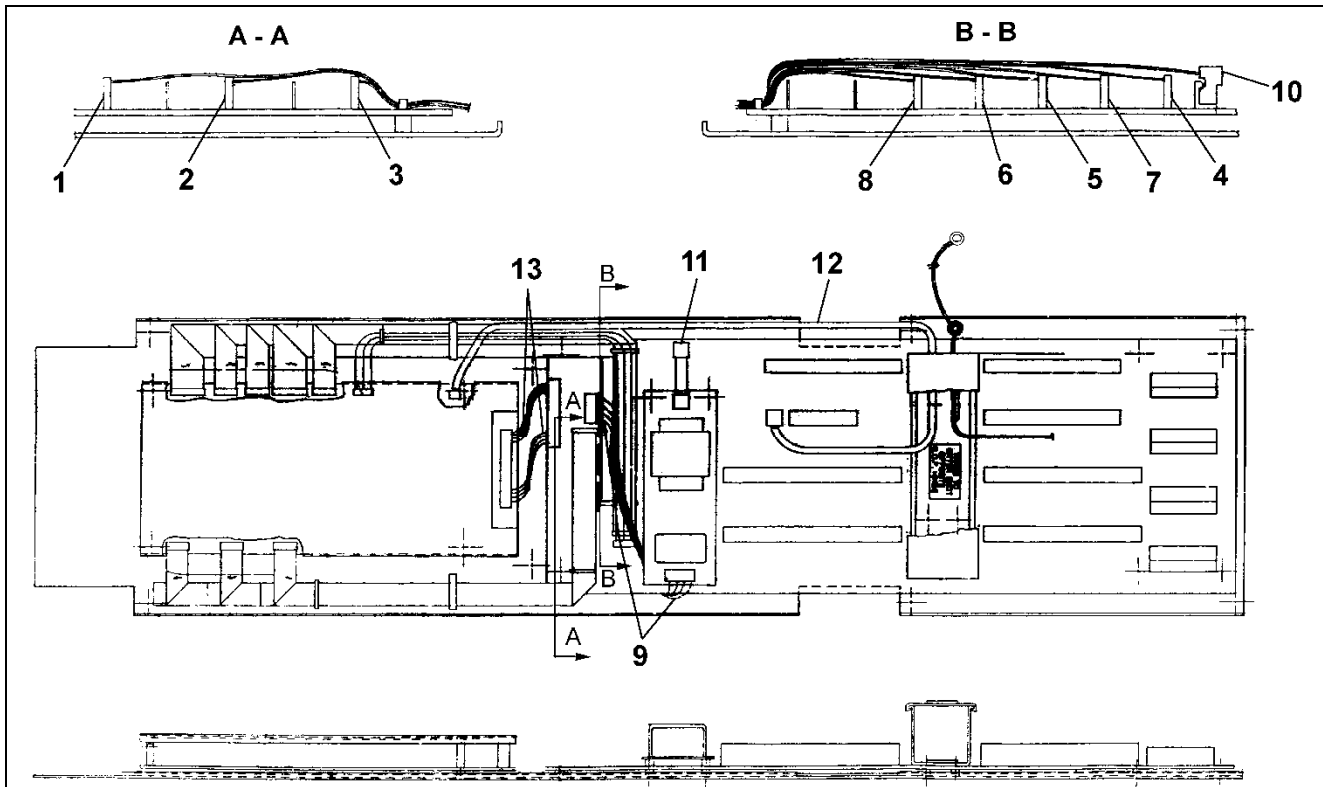


W/O VINTAGE		
REF. No.	PART No.	DESCRIPTION
1	8128EF4 A8128EF1	PC Board, Cab Interface
2	E8121DB1	PC Board, Micro-Computer, w/REM, for LRV5L
	F8121BC1	PC Board, Micro-Computer, w/REM, for LRV5L w/B44 Code
3	B8121BA2	PC Board, Power Supply
4	A386CAC3	Plate, Cover, use w/ E8121DB1 PCB
	A386CAB3	Plate, Cover, use w/ F8121BC1 PCB
*	354AG11	Standoff, 1.0 in. L, use w/ Ref. 4
*	354AG6	Standoff, 1/4 in. L, use w/ Ref. 4

* Parts not shown.

31-7155BA

Cable Assembly for E8121DB1 Micro-Processor Board



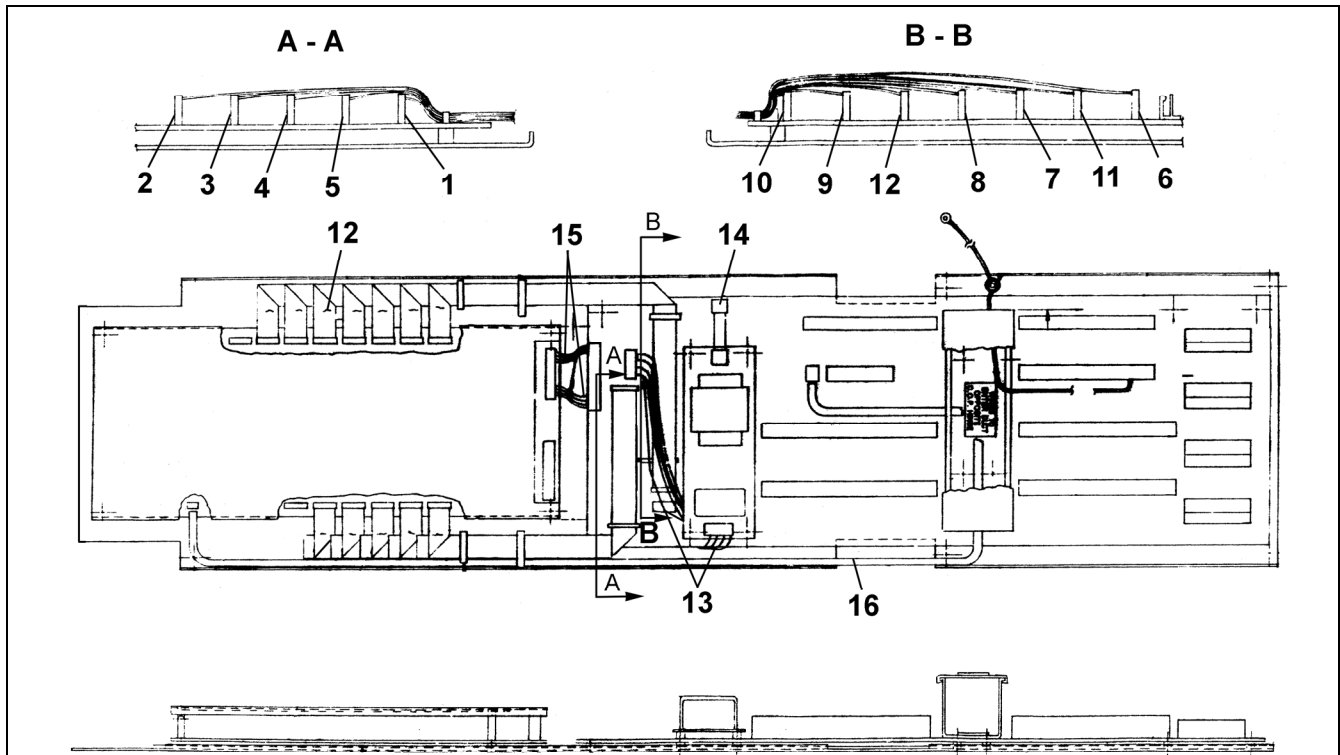
p/n 7155BA1 Shown

REF. No.	W/O VINTAGE	DESCRIPTION	FROM:	TO:	
	PART No.		CAB INTERFACE BD.	MICROPROCESSOR (p/n E8121DB1)	POWER SUPPLY BD.
1	174JB1	Assembly, Cable	5J	OM3	---
2			3J	OM2	---
3			1J	OM1	---
4			6J	IM5	---
5			8J	IM3	---
6			9J	IM2	---
7	174JB3		7J	IM4	---
8			10J	IM1	---
9	174JC1		14J	---	J2
10	174JC3		16J	J4	---
11	174JC4		15J	---	J1
12	174JF1		13J	J1	---
13	174JH1		1KI	J2	---

Cable Assembly for F8121BC1

31-7155BA

Micro-Processor Board



p/n 7155BA2 Shown

REF. No.	W/O VINTAGE	DESCRIPTION	FROM:	TO:	
	PART No.		CAB INTERFACE BD.	MICROPROCESSOR (p/n F8121BC1)	POWER SUPPLY BD.
1	174JB1	Assembly, Cable	1J	OM5	---
2			5J	OM1	---
3			4J	OM2	---
4			3J	OM3	---
5			2J	OM4	---
6			6J	IM1	---
7			8J	IM3	---
8			9J	IM4	---
9			11J	IM6	---
10			12J	IM7	---
11	174JB2		7J	IM2	---
12			10J	IM5	---
13	174JC1		14J	---	J2
14	174JC4		15J	---	J1
15	174JD1		1KI	J5	---
16	174JF2		13J	J3	---