

SPL 31-7155R - LRV2 And LRS Car Operating Panel

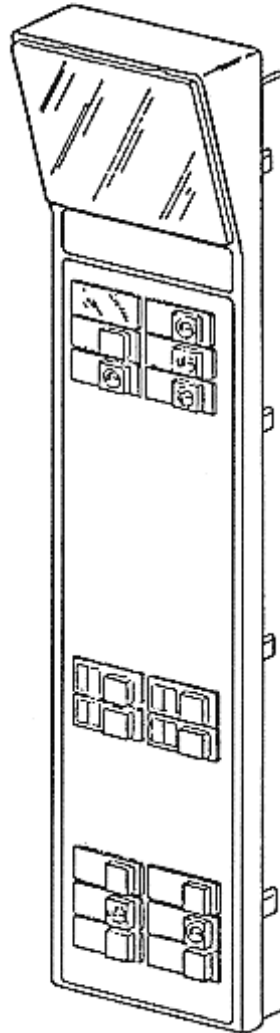
Unpublished Work - © Otis Elevator Company. Any unauthorized reproduction, disclosure, or distribution of copies or content by any person of any portion of this work may be a violation of Copyright Law of the United States of America. All rights reserved.

December 1994

Supersedes SPL 317155R Dated: June 1991

Page 1

W/O
VINTAGE



SPL 31-7155R - LRV2 And LRS Car Operating Panel

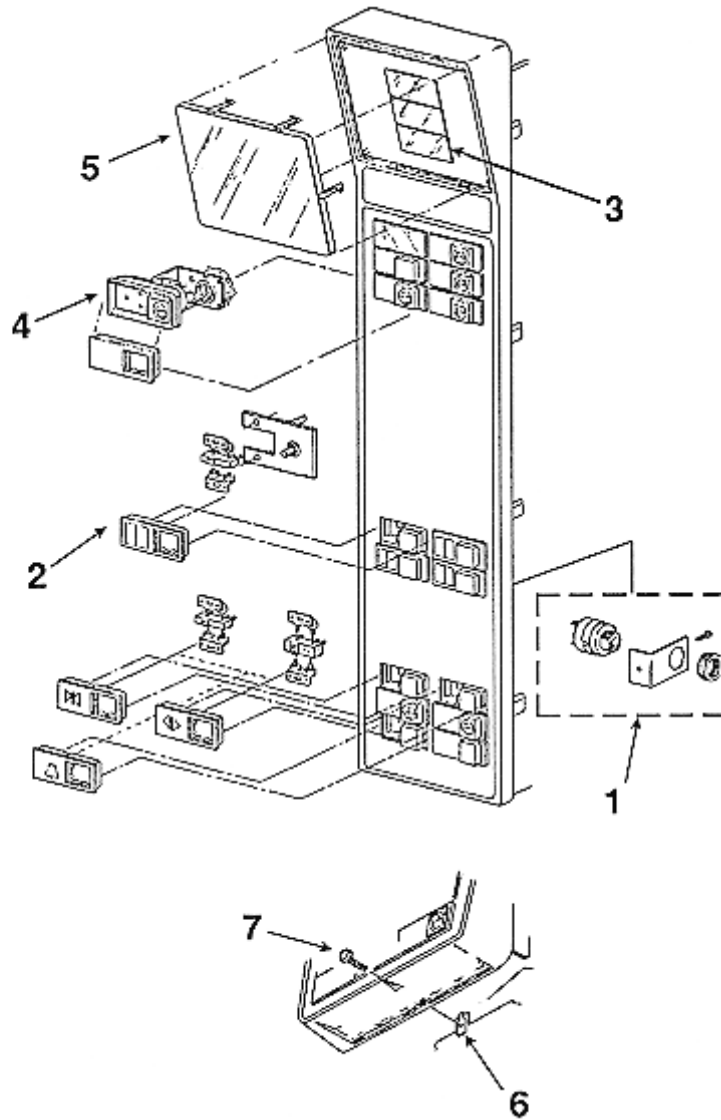
Page 2

BUTTON MODULES:

- 7069AF4
- 7069AF7
- 7069AF9
- 7069AF39
- 7069AF40
- 7069AF41
- 7069AF42
- 7069AF47
- 7069AF48

KEYSWITCH MODULES

- 7069AH14
- 7069AH15
- 7069AH16
- 7069AH17
- 7069AH33
- 7069AH34
- 7069AH36
- 7069AH38
- 7069AH42



REF. No.	Without VINTAGE PART OR ML	DESCRIPTION
1	6219G2	Audible Signal Device
2	TYPE 7069AF	Buttons Modules, See Also SPL 31-7069AF
3	TYPE 7069AG	Jewel Modules, See Also SPL 31-7069AF
4	TYPE 7069AH	7069AH Keyswitch, See Also SPL 31-7069AH
5	443CH1	Lens, Green
6	72BX6	Nut, Speed
7	VP-855550	Screw Tamper Resistant, 10-24x1 in.