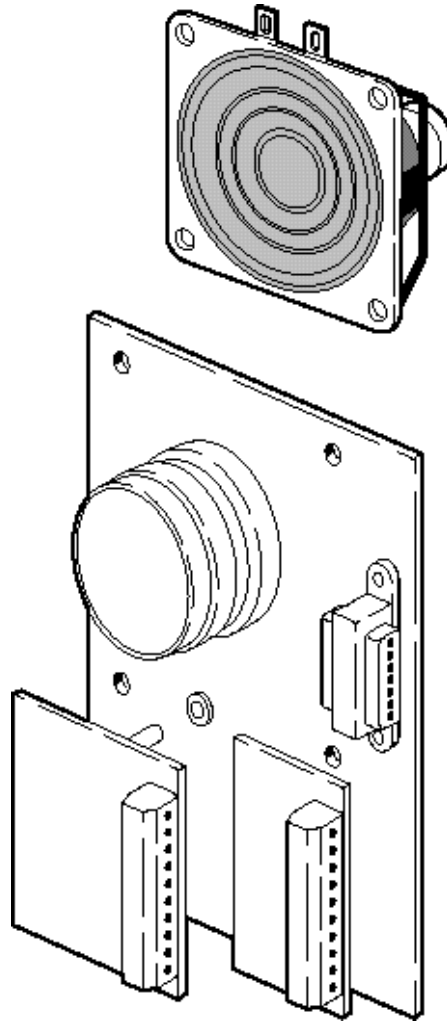


Intercom/Speech Speaker

Spare Parts Leaflet

31-A433NB

June 15, 1999 / Page 1 of 6



Unpublished Work—© Otis Elevator Co.; 1999

OTIS

Safety First!

SERVICE ENGINEERING

Otis Elevator Company
Bloomfield, Connecticut USA

History

31-A433NB

First Published: June 15, 1999

Intercom/Speech Speaker

REVISED DATE	RESPONSIBLE ENGINEER	PRIMARY REASON FOR REVISION
June 15, 1999	Val Minnes	New leaflet

Leaflet Description

Provides replacement parts information.

RELATED LEAFLET NUMBERS	TITLES
None	

DRAWING REFERENCES
None

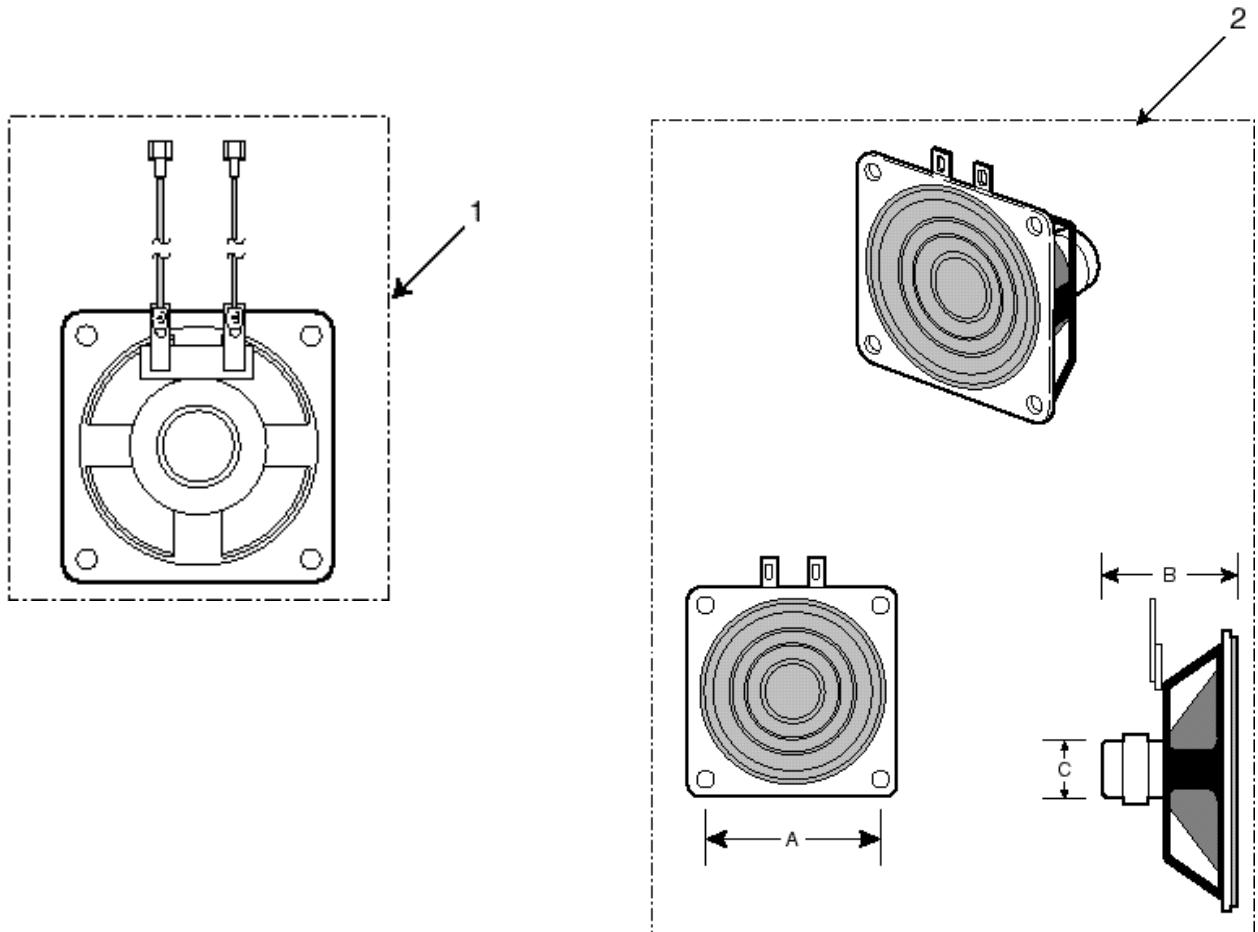
RELATED DOCUMENT NUMBERS	TITLES
None	

This Spare Parts Leaflet (SPL) is prepared to assist you in determining the Lowest Replaceable Units (LRU) supported by the Otis Service Center for the standard version of the product titled on the preceding page. The parts are chosen by Otis associates from: Engineering, Field Engineering, Service Engineering, and Manufacturing. We attempt to make part identification as easy as possible. The SPL, however, cannot be all inclusive. Elevator and escalator contracts classified as either "special" or "custom" are not addressed. Alternative sources of information such as: the Contract Folder, Technical Information Publications, Field Education Articles, Construction Letters, etc. may give the information you are after. You live in the real world of maintaining your elevator and escalator contracts. On a daily basis, situations arise regarding parts identification and at times, for some reason, the part you need is not in the SPL. If you think a standard part not listed should be—let us know. We will respond.

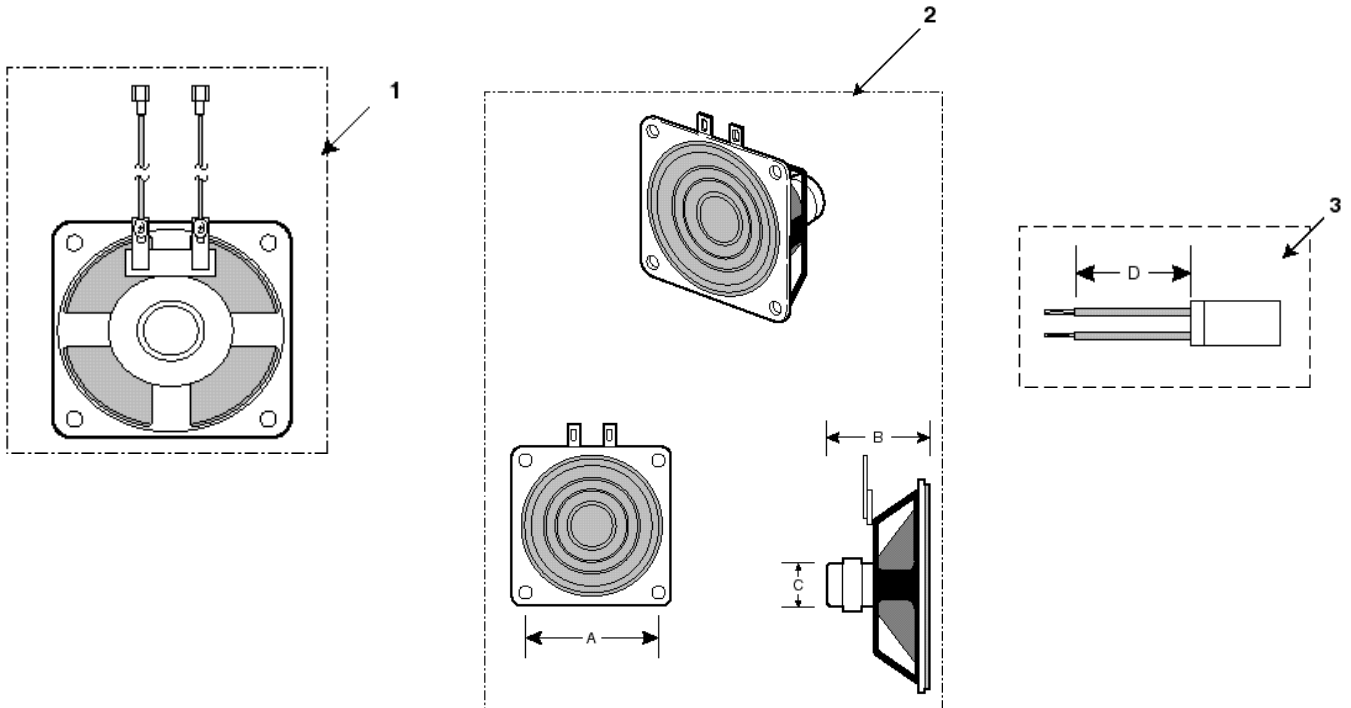
Val Minnes-Service Engineering

A433NB Intercom/Speech Speaker

31-A433NB



REF. NO.	WO Vintage/		Frequency Response	Voice Coil Impedance	"A" in.	"B" in.	"C" in.
	PART or ML	DESCRIPTION					
1	A433NB4	Assembly, Speaker A433NB3 including, attached wires					
2	A433NB1	Speaker, Intercom/ Speech	150 Hz - 12 KHz	8 ohms	2.062	1.09	0.827
	A433NB2		200 Hz - 8 KHz	8-10 ohms	2.062	1.09	1.5
	A433NB3		150 Hz - 12 KHz	8-10 ohms	2.374	1.25	0.827

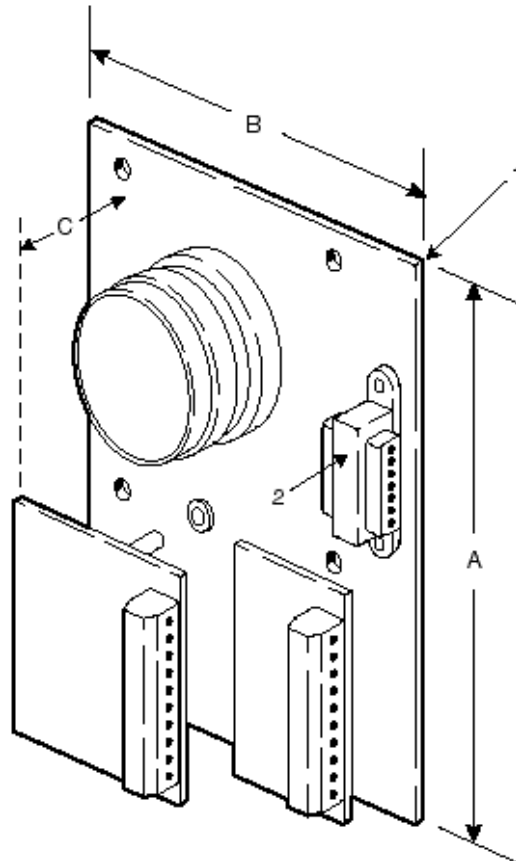


REF. NO.	WO Vintage/ PART or ML	DESCRIPTION	FREQ. RE-SPONSE	VOICE COIL IMPED-ENCE	"A" in.	"B" in.	"C" in.	"D" in.
*	AAA00433AAE002	Assembly, Speaker AAA00433AAE001 Cable AA00174AAL004						
	AAA00433AAE003	Assembly, Speaker AAA00433AAE001 Cable AA00174AAL002						
1	AAA00433AAE004	Assembly, Speaker with pre-attached (non-replaceable) wires						
2	AAA00433AAE001	Speaker	800 Hz	45 ohms	2.36	0.98	1.26	
3	AA00174AAL002	Cable						3.0
	AA00174AAL004							15.0

* Not shown

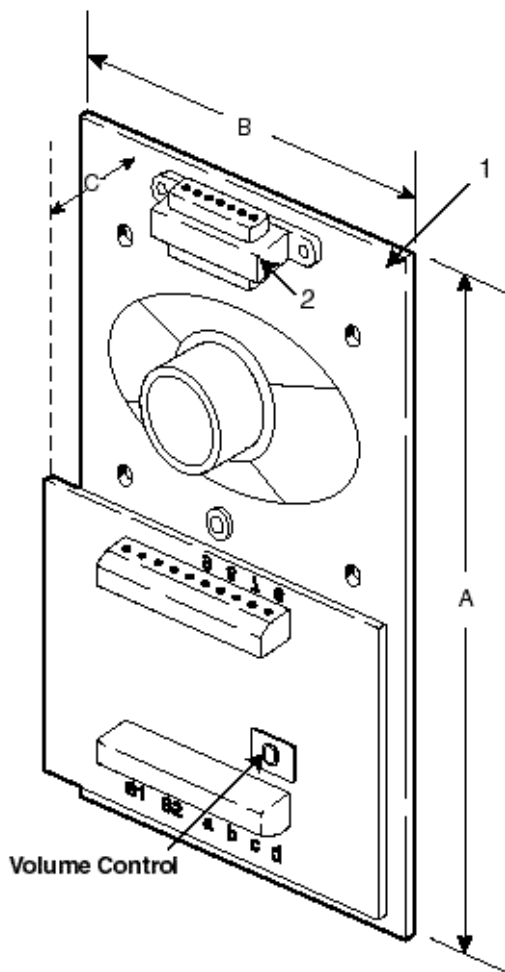
Car Station Intercom

31-A433NB



REF. NO.	WO Vintage/ PART or ML	DESCRIPTION	"A"	"B"	"C"
*	AAA433PR1	Intercom, Teknicom, For use without speech synthesis	5.35	3.66	1.89
1	AAA433PR2	Intercom, Teknicom, For use with speech synthesis			
2	609D1	Transformer, Supplied with AAA433PR2 only			

* Not shown



REF. NO.	WO Vintage/ PART or ML	DESCRIPTION	"A"	"B"	"C"
*	AAA433PR3	Intercom, Teknicom, For use without speech synthesis	6.51	3.56	0.96
1	AAA433PR4	Intercom, Teknicom, For use with speech synthesis			
2	609D1	Transformer, Supplied with AAA433PR4 only			

* Not shown