

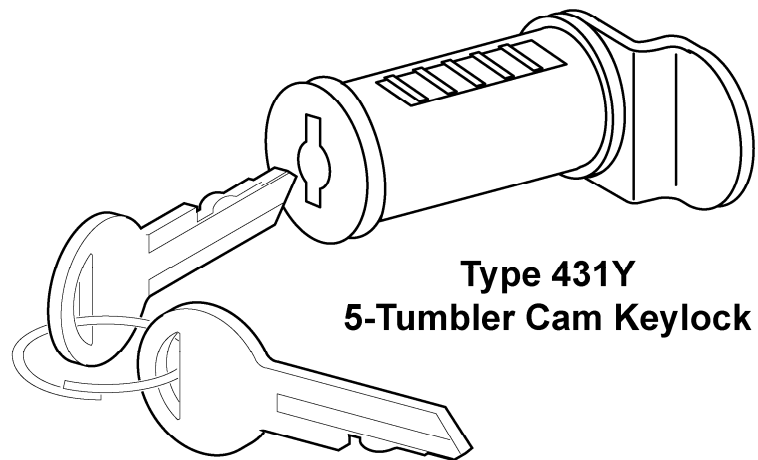
Service Cabinet/
Cam Locks

Spare Parts Leaflet

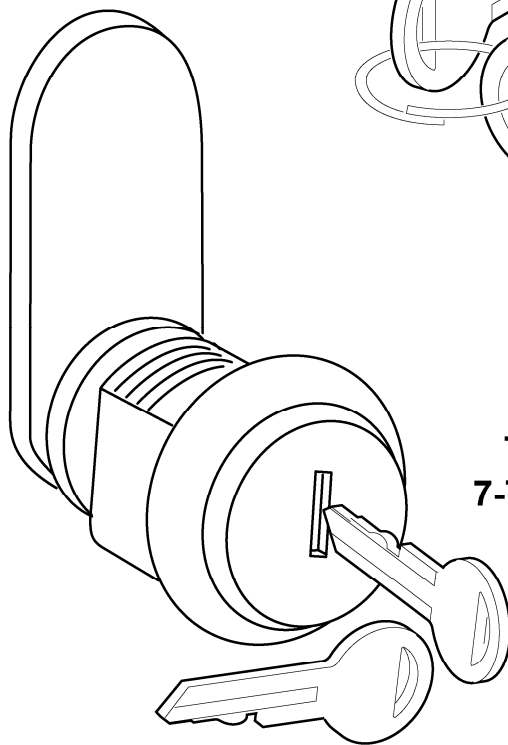
31-AAA00431AAC

November 6, 2019 / Page 1 of 4

**W/O
VINTAGE**



**Type 431Y
5-Tumbler Cam Keylock**



**Type AAA00431AAC
7-Tumbler Cam Keylock**

OTIS

This document does not contain any
technical data subject to EAR or ITAR

SERVICE ENGINEERING
Otis Elevator Company
Bloomfield, Connecticut USA

Unpublished Work—© Otis Elevator Co.; 2019

Leaflet Description

This leaflet lists two types of keylock assemblies: type AAA00431AAC and type 431Y.

Leaflet Revisions

Date Revised	Subject Matter Expert	Reason for Revision
July 20, 2007	Michael A. Bertini	New SPL
June 23, 2010	Joseph Zych	Added note and dimension on p. 4
November 6, 2019	Joseph Zych	Added p/ns AAA00431AAC012 and AAA00431AAC013

Related Drawings

Drawing No.	Title	Drawing No.	Title
AAA00431AAC	Lock Assembly	AAA7144CJ	Service Cabinet
431Y	Lock Assembly		

Related Documents

Document ID	Title
SPLs	All related to Series 2, 4, and 6 fixtures

Subject Matter Expert

Name	Department
Joseph Zych	OSC Service Engineering

About Spare Parts Leaflets...

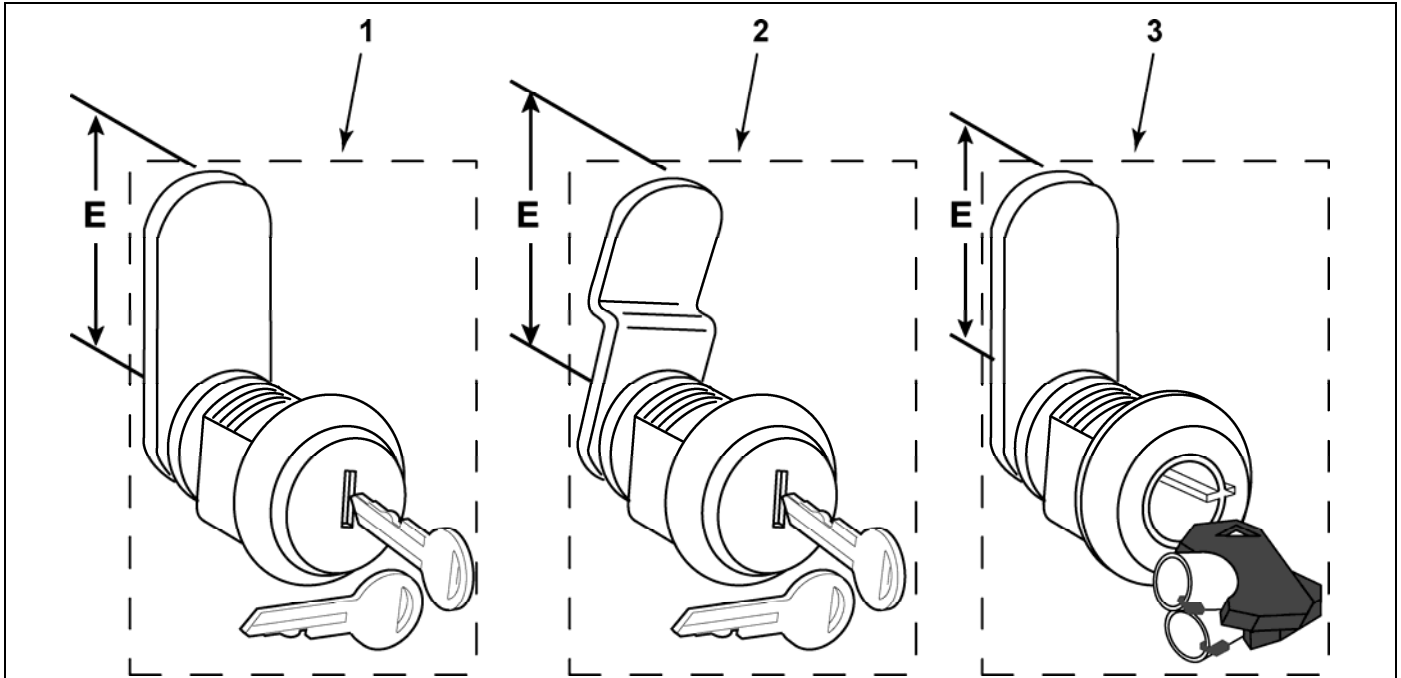
This document lists the lowest replaceable units (LRUs) for the standard version of the product. The LRUs are chosen by a team of Otis associates representing engineering and manufacturing.

While goal of this document is to make parts identification as easy as possible, the document cannot be all-inclusive. Elevator and escalator contracts classified as "special" or "custom" are not addressed here. For such contracts, please refer to specified information, the contract folder, TIPs, Field Education Articles, Construction Letters, etc. for further information.

If you have any suggestions about this document, please contact the subject matter expert listed on this page.

Keylock

31-AAA00431AAC

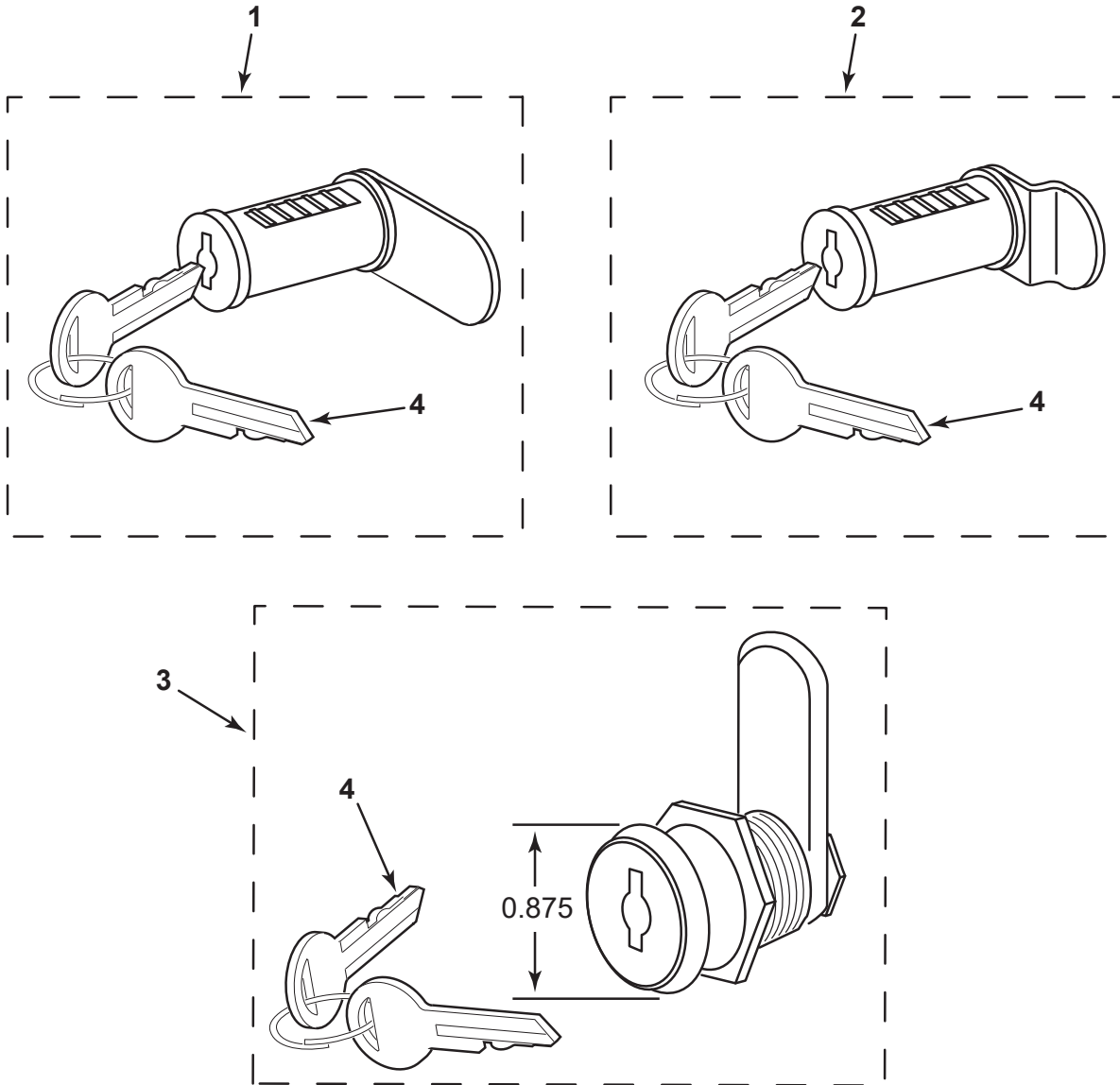


W/O VINTAGE

REF. No.	DESCRIPTION (See NOTES)	FINISH	DIMENSION 'E' (in.)	LOCK PART No.	KEY TYPE	
1	Assembly, Lock w/2 Keys,	As Required	1.25	AAA00431AAC001	UTF	
	Assembly, Lock w/2 Keys,			AAA00431AAC002		
	Assembly, Lock w/2 Keys,		1.0	AAA00431AAC003		
	Assembly, Lock w/2 Keys,			AAA00431AAC004		
	Assembly, Lock w/2 Keys,	---	0.88	AAA00431AAC005	E1 (NOTE 5)	
	Assembly, Lock w/2 Keys,		1.0	AAA00431AAC007	2001	
	Assembly, Lock w/2 Keys,		Dull Chrome	1.25	AAA00431AAC008	UTH
	Assembly, Lock w/2 Keys,		Chrome	1.5	AAA00431AAC009	
2	Assembly, Lock w/2 Keys,	---	1.0	AAA00431AAC006	E1(NOTE 5)	
3	Assembly, Lock w/2 Keys,	Bright Nickel	1.25	AAA00431AAC010	FEO-K1 (2006 code)	
	Assembly, Lock w/2 Keys,			AAA00431AAC011		
	Assembly, Lock w/2 Keys,			AAA00431AAC012	BDF1	
	Assembly, Lock w/2 Keys,					AAA00431AAC013

NOTES:

1. Unless indicated, standard lock finish is bright nickel. To order dull-chrome or black finish, append -DC or -BLK to the end of the part number e.g. AAA00431AAC001-DC.
2. Key removable in locked position only and key is not interchangeable with any other lock.
3. Hand denotes position of cam in its locked position.
4. All locks come with two keys.
5. Key p/n AAA194AX1



W/O VINTAGE		
REF. No.	PART No.	DESCRIPTION
1	431Y1	Assembly, Lock w/2 Keys, Straight Cam
2	431Y2	Assembly, Lock w/2 keys, Z-Angle Cam
3	431Y3	Assembly, Lock w/2 Keys, Straight Cam (see NOTE)
4	VP-796345	Keys (set of 2) (BGM30)
*	VP-797140	Key, Chicago #BDF1 for Ace Type Lock

NOTE: 431Y3 is the same as 431Y1 except with housing.

* Part not shown.