

**SPL 31-AAA06410AAA - Series 1 - Luxury Fixtures, Keyswitches**

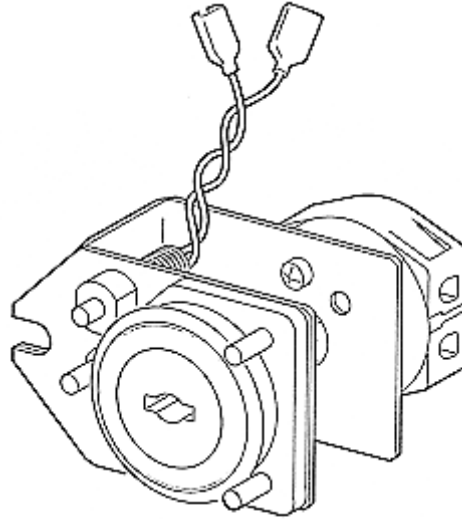
Unpublished Work - © Otis Elevator Company. Any unauthorized reproduction, disclosure, or distribution of copies or content by any person of any portion of this work may be a violation of Copyright Law of the United States of America. All rights reserved.

**May 1997**

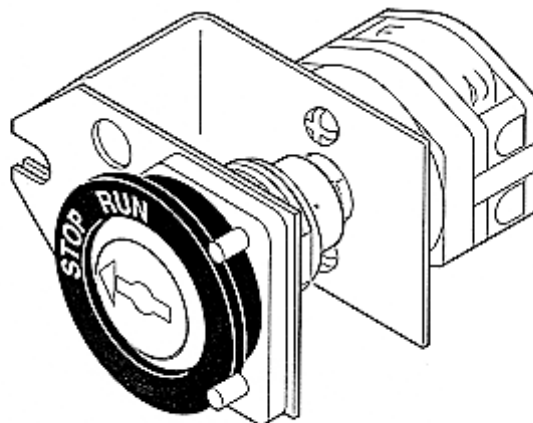
Supersedes SPL 31-A..06410AAA Dated: October 1989

**Page 1**

**W/O  
VINTAGE**



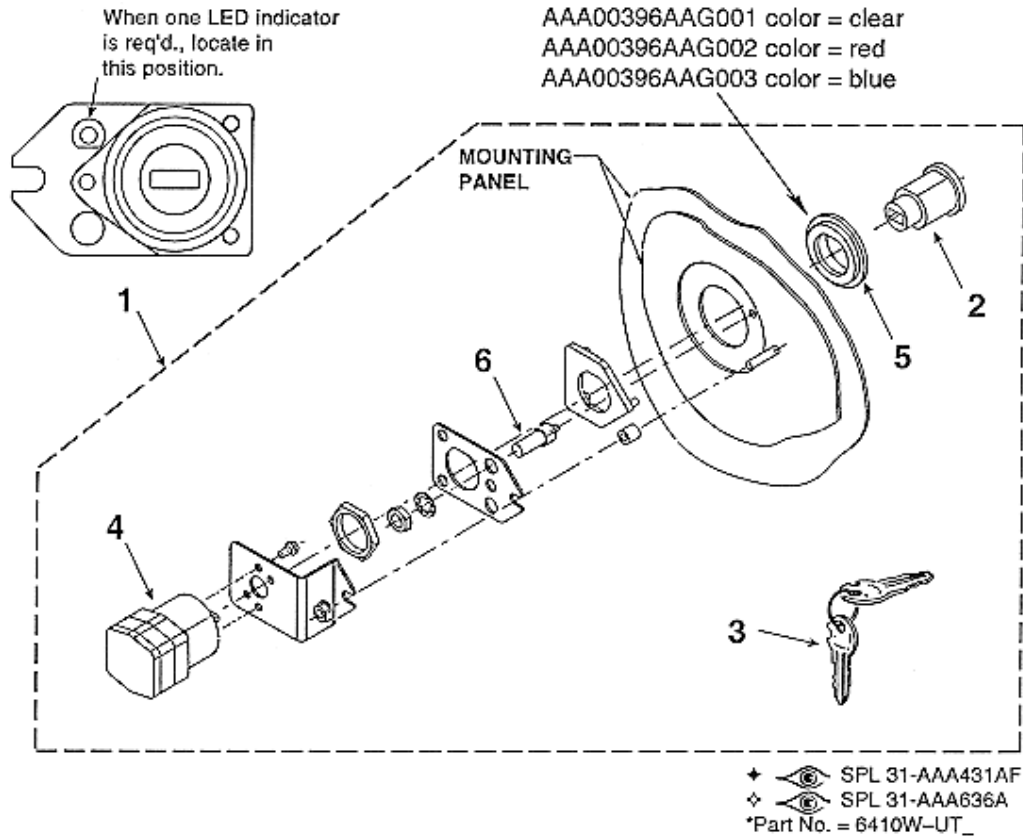
**TYPE AAA06410AAA  
KEYSWITCH WITH HOUSING  
FOR ENGRAVED FACEPLATES**



**TYPE AAA6410AA  
KEYSWITCH WITH COLLAR**

# SPL 31-AAA06410AAA - Series 1 - Luxury Fixtures, Keyswitches

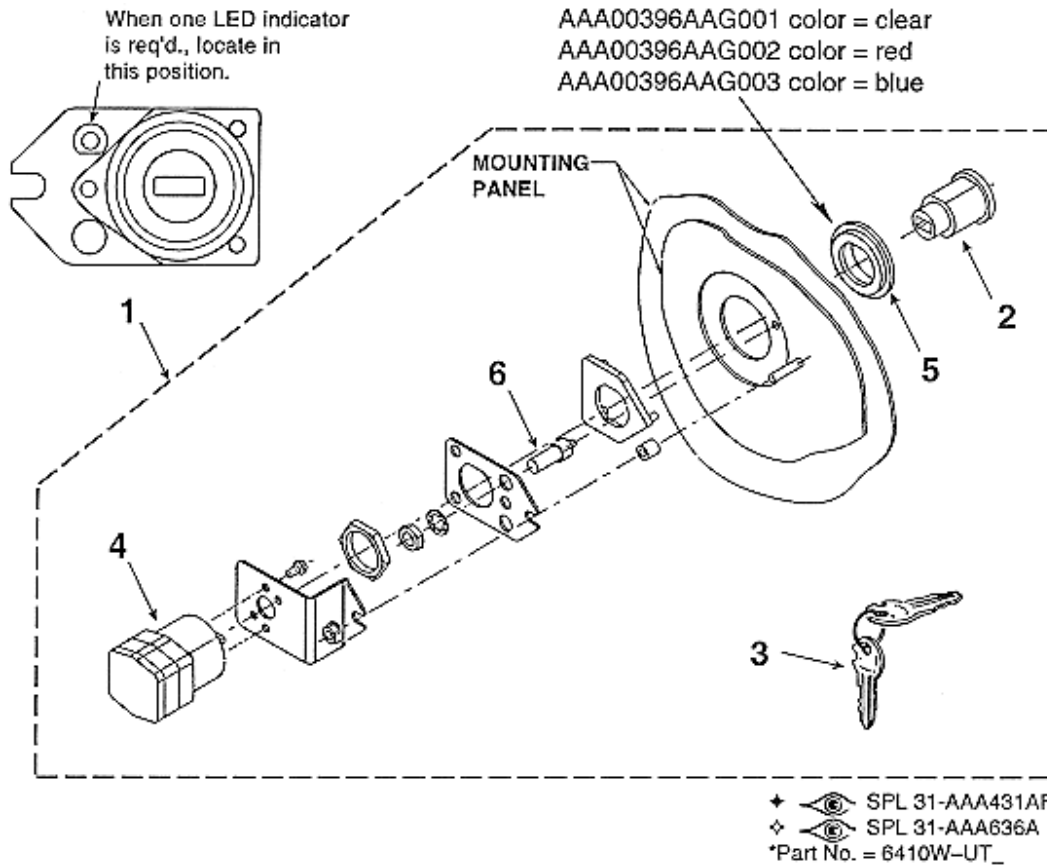
## Page 2 - KEYSWITCH W/HOUSING Used with ENGRAVED FACE PANEL



W/O VINTAGE						
REF. No. 1 KEYSWITCH ASSEMBLY	FUNCTION	REF. No. 2 LOCK ◆	REF. No. 3 KEY*	REF. No. 4 SWITCH ◆	REF. No. 5 HOUSING	REF. No. 6 L.E.D.
AAB06410AAA4	Access	AAA431AF21	UTE	ABA636A2	AAA00396AAG001	
AAB06410AAA23	Attendant (ETO)	AAA431AF8	UTC	ABA636A5	AAA00396AAG001	
AAB06410AAA9	Attendant Service	AAA431AF8	UTC	ABA636A5	AAA00396AAG001	
AAB06410AAA37	B44 Emergency Power	AAA431AF3	UTF	ABA636A8	AAA00396AAG001	AAA629AF1
AAB06410AAA20	Car To Landing (ETO)	AAA431AF19	UTA	ABA636A1	AAA00396AAG001	
AAB06410AAA5	Car to Landing	AAA431AF19	UTA	ABA636A1	AAA00396AAG001	
AAB06410AAA8	Emergency Hospital Service	AAA431AF2	UTD	ABA636A5	AAA00396AAG003	AAA629AF1
AAB06410AAA26	Emergency Hospital Service	AAA431AF2	UTD	ABA636A5	AAA00396AAG001	AAA629AF1
AAB06410AAA39	Emergency Hospital Service	AAA431AF2	UTD	ABA636A5	AAA00396AAG001	
AAB06410AAA1	Express Priority Service	AAA431AF2	UTD	ABA636A3	AAA00396AAG001	AAA629AF1
AAB06410AAA18	Express Priority Service (ETO)	AAA431AF2	UTD	ABA636A3	AAA00396AAG003	AAA629AF1
AAB06410AAA16	Fan	AAA431AF1	UTA	ABA636A4	AAA00396AAG003	
AAB06410AAA28	Fan	AAA431AF1	UTA	ABA636A4	AAA00396AAG001	
AAB06410AAA19	Group Security (ETO)	AAA431AF10	UTG	ABA636A5	AAA00396AAG003	AAA629AF1
AAB06410AAA2	Group Security	AAA431AF10	UTG	ABA636A5	AAA00396AAG001	AAA629AF1
AAB06410AAA13	In-Car-Stop (ANSI)	AAA431AF1	UTA	ABA636A10	AAA00396AAG001	
AAB06410AAA38	In-Car-Stop, B44	AAA431AF18	UTE	ABA636A10	AAA00396AAG001	
AAB06410AAA7	Independent Service	AAA431AF1	UTA	ABA636A5	AAA00396AAG001	
AAB06410AAA22	Independent Service (ETO)	AAA431AF1	UTA	ABA636A5	AAA00396AAG001	

# SPL 31-AAA06410AAA - Series 1 - Luxury Fixtures, Keyswitches

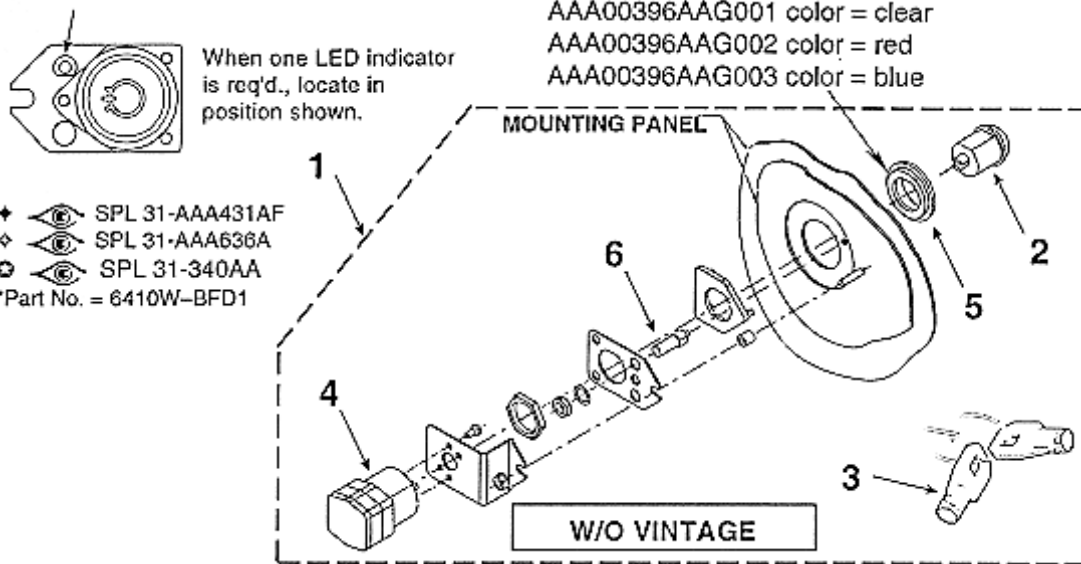
Page 3



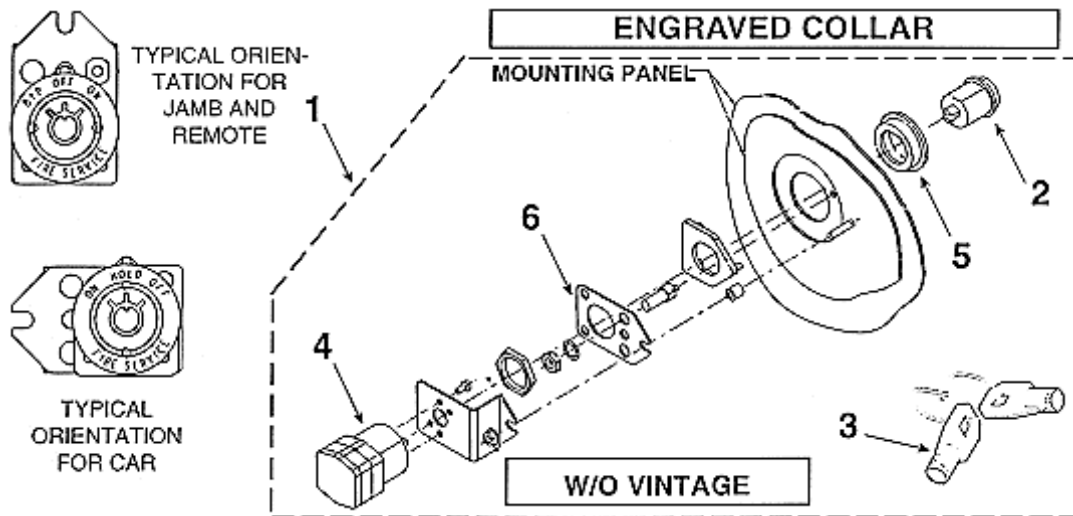
W/O VINTAGE						
REF. No. 1 KEYSWITCH ASSE4MBLY	FUNCTION	REF. No. 2 LOCK ◆	REF. No. 3 KEY*	REF. No. 4 SWITCH ◇	REF. No. 5 HOUSING	REF. No. 6 L.E.D.
AAB06410AAA14	Inspection Initiation	AAA431AF1	UTA	ABA636A5	AAA00396AAG001	
AAB06410AAA17	Light	AAA431AF1	UTA	ABA636A5	AAA00396AAG001	
AAB06410AAA15	Light Ray	AAA431AF1	UTA	ABA636A5	AAA00396AAG001	
AAB06410AAA12	Power	AAA431AF1	UTA	ABA636A5	AAA00396AAG001	AAA629AF1
AAB06410AAA21	Rear Light Ray	AAA431AF1	UTA	ABA636A5	AAA00396AAG001	
AAB06410AAA11	Secure Access	AAA431AF20	UTB	ABA636A1	AAA00396AAG001	
AAB06410AAA3	SES Phase I (ANSI, CA)	AAA431AF9	UTF	ABA636A6	AAA00396AAG002	AAA629AF1
AAB06410AAA35	SES Phase I & Remote, B44 Code (Automatic)	AAA431AF3	UTF	ABA636A6	AAA00396AAG001	AAA629AF1
AAB06410AAA34	SES Phase I & Remote, B44 Code (Manual)	AAA431AF9	UTF	ABA636A5	AAA00396AAG001	AAA629AF1
AAB06410AAA25	SES Phase I (ANSI, CA)	AAA431AF9	UTF	ABA636A6	AAA00396AAG001	AAA629AF1
AAB06410AAA24	SES Phase II (ANSI, CA, PA)	AAA431AF11	UTF	ABA636A5	AAA00396AAG002	
AAB06410AAA30	SES Phase I Remote (ANSI, CA)	AAA431AF9	UTF	ABA636A5	AAA00396AAG001	AAA629AF1
AAB06410AAA10	SES Phase II (ANSI 1987)	AAA431AF3	UTF	ABA636A7	AAA00396AAG002	
AAB06410AAA27	SES Phase II (ANSI 1987)	AAA431AF3	UTF	ABA636A7	AAA00396AAG001	
AAB06410AAA29	SES Phase II (ANSI, CA, PA)	AAA431AF11	UTF	ABA636A5	AAA00396AAG001	
AAB06410AAA36	SES Phase II, B44 Code	AAA431AF3	UTF	ABA636A7	AAA00396AAG001	
AAB06410AAA6	Standby Power	AAA431AF3	UTF	ABA636A8	AAA00396AAG001	AAA629AF1

# SPL 31-AAA06410AAA - Series 1 - Luxury Fixtures, Keyswitches

Page 4



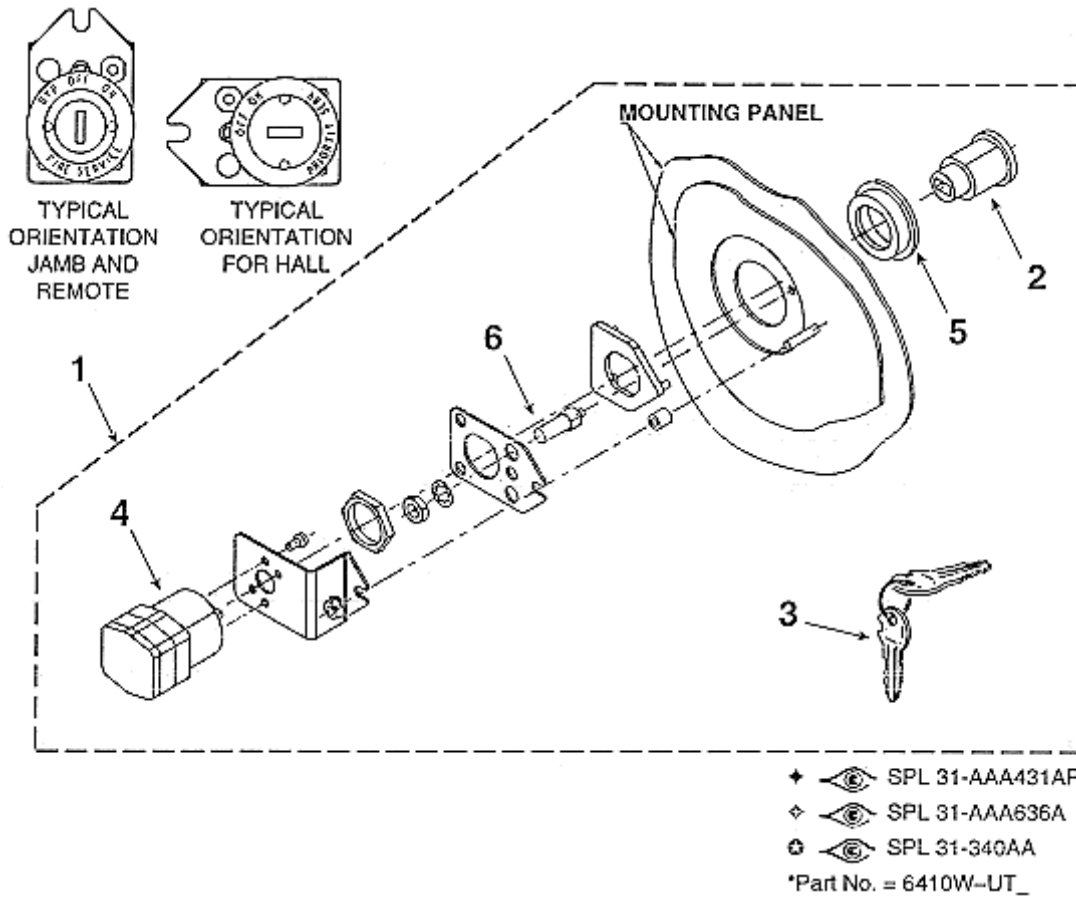
REF. No. 1 KEYSWITCH ASSE4MBLY	FUNCTION	REF. No. 2 LOCK +	REF. No. 3 KEY*	REF. No. 4 SWITCH ◇	REF. No. 5 HOUSING ○	REF. No. 6 L.E.D.
AAB06410AAA31	SES Phase I (CT)	AAA00431AAF001	BFD1	ABA636A6	AAA00396AAG001	AAA629AF1
AAB06410AAA32	SES Phase I Remote (CT)	AAA00431AAF001	BFD1	ABA636A5	AAA00396AAG001	AAA629AF1
AAB06410AAA33	SES Phase II (CT)	AAA00431AAF002	BFD1	ABA636A7	AAA00396AAG001	



REF. No. 1 KEYSWITCH ASSE4MBLY	FUNCTION	REF. No. 2 LOCK +	REF. No. 3 KEY*	REF. No. 4 SWITCH ◇	REF. No. 5 COLLAR ○	REF. No. 6 L.E.D.
AAB6410AA53	SES Phase I (CT) JAMB	AAA00431AAF001	BFD1	ABA636A6	AAA340BT23	AAA629AF1
AAB6410AA54	SES Phase I Remote (CT)	AAA00431AAF001	BFD1	ABA636A5	AAA340BT25	AAA629AF1
AAB6410AA55	SES Phase II (CT)	AAA00431AAF002	BFD1	ABA636A7	AAA340BT24	
AAB6410AA62	SES Phase I Hall (CT)	AAA00431AAF001	BFD1	ABA636A6	AAA340BT23	AAA629AF1

SPL 31-AAA06410AAA - Series 1 - Luxury Fixtures, Keyswitches

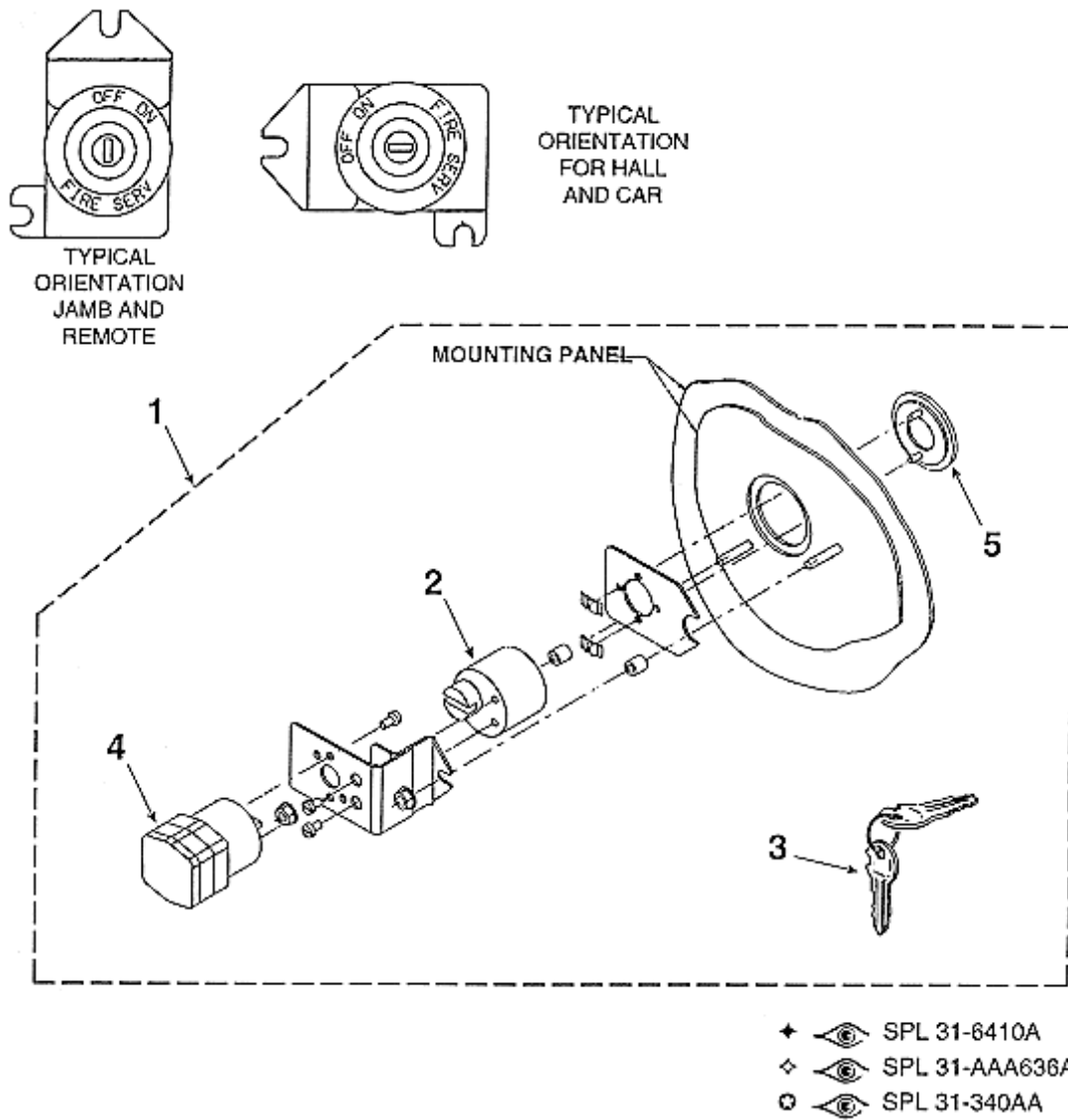
Page 5 - KEYSWITCH W/ENGRAVED COLLAR



W/O VINTAGE						
REF. No. 1 KEYSWITCH ASSEMBLY	FUNCTION	REF. No. 2 LOCK †	REF. No. 3 KEY*	REF. No. 4 SWITCH ‡	REF. No. 5 COLLAR ⊙	REF. No. 6 L.E.D.
AAB6410AA25	Access (Jamb)	AAA431AF21	UTE	ABA636A2	AAA340BT4	
AAB6410AA4	Access (Hall)	AAA431AF21	UTE	ABA636A2	AAA340BT4	
AAB6410AA20	Car To Landing (ETO)	AAA431AF19	UTA	ABA636A1	AAA340BT18	
AAB6410AA5	Car to Landing	AAA431AF19	UTA	ABA636A1	AAA340BT5	
AAB6410AA59	Emergency Power (B44 Code)	AAA431AF3	UTF	ABA636A8	AAA340BT29	AAA629AF1
AAB6410AA1	Express Priority Service	AAA431AF2	UTD	ABA636A3	AAA340BT1	AAA629AF1
AAB6410AA18	Express Priority Service (ETO)	AAA431AF2	UTD	ABA636A3	AAA340BT19	AAA629AF1
AAB6410AA19	Group Security (ETO)	AAA431AF10	UTG	ABA636A5	AAA340BT19	AAA629AF1
AAB6410AA2	Group Security	AAA431AF10	UTG	ABA636A5	AAA340BT2	AAA629AF1
AAB6410AA3	SES Phase 1 (ANSI, CA)	AAA431AF9	UTF	ABA636A6	AAA340BT3	AAA629AF1
AAB6410AA57	SES Phase I/Remote (B44, Auto)	AAA431AF3	UTF	ABA636A6	AAA340BT27	AAA629AF1
AAB6410AA24	SES Phase I (ANSI, CA)	AAA431AF9	UTF	ABA636A6	AAA340BT3	AAA629AF1
AAB6410AA37	SES Phase I (ANSI, CA)	AAA431AF9	UTF	ABA636A6	AAA340BT23	AAA629AF1
AAB6410AA39	SES Phase I (ANSI, CA)	AAA431AF9	UTF	ABA636A6	AAA340BT23	AAA629AF1
AAB6410AA48	SES Phase I Remote (ANSI, CA)	AAA431AF9	UTF	ABA636A5	AAA340BT25	AAA629AF1
AAB6410AA64	SES Phase I/Remote (B44, Auto)	AAA431AF3	UTF	ABA636A6	AAA340BT27	AAA629AF1
AAB6410AA56	SES Phase I/Remote (B44, Manual)	AAA431AF9	UTF	ABA636A5	AAA340BT26	AAA629AF1
AAB6410AA63	SES Phase I/Remote (B44, Manual)	AAA431AF9	UTF	ABA636A5	AAA340BT26	AAA629AF1
AAB6410AA6	Standby Power	AAA431AF3	UTF	ABA636A8	AAA340BT6	AAA629AF1

# SPL 31-AAA06410AAA - Series 1 - Luxury Fixtures, Keyswitches

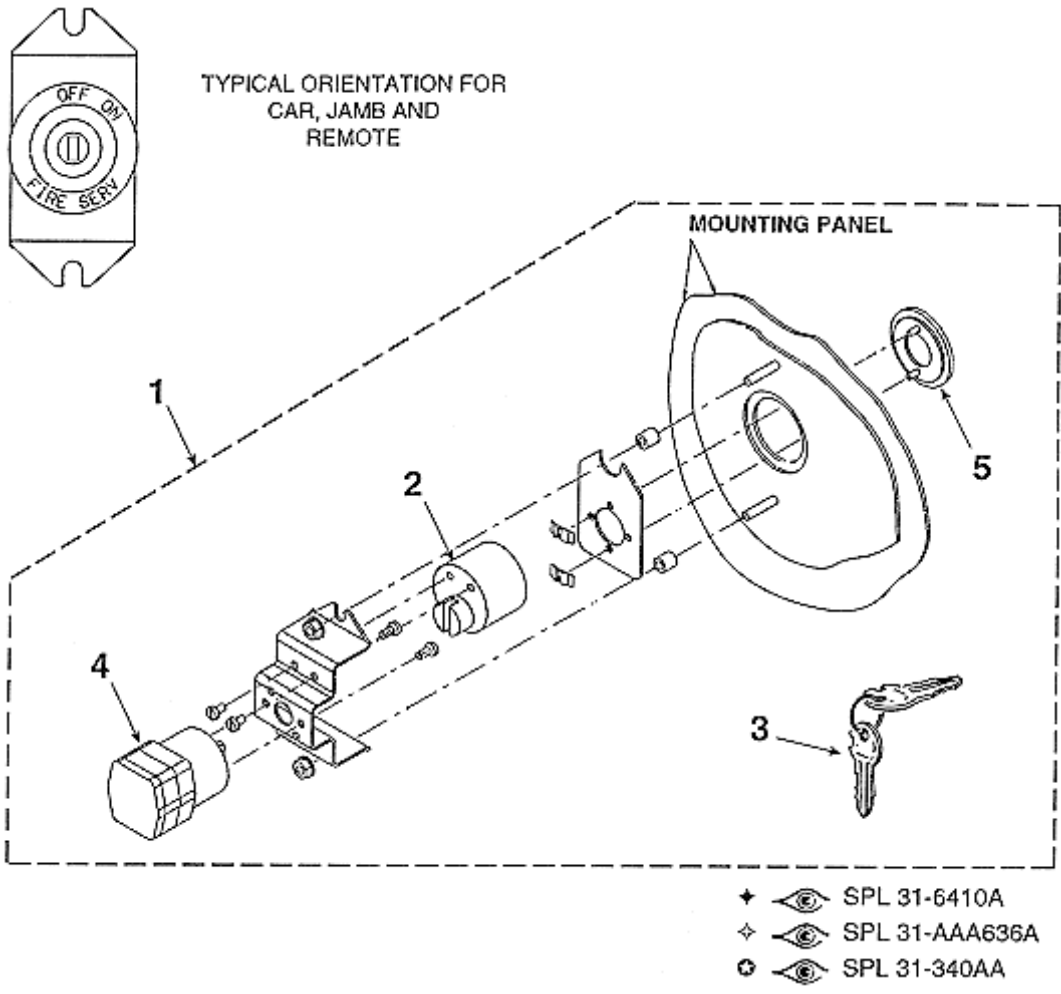
Page 6



W/O VINTAGE					
REF. No. 1 KEYSWITCH ASSE4MBLY	FUNCTION	REF. No. 2 LOCK +	REF. No. 3 KEY	REF. No. 4 SWITCH ◇	REF. No. 5 COLLAR ◎
AAB6410AA29	SES Phase I (Chicago)	A431C31	VP-797110	ABA636A9	AAA340BL5
AAB6410AA32	SES Phase I (Chicago)	A431C31	VP-797110	ABA636A9	AAA340BL5
AAB6410AA49	SES Phase I (MA)	A431C35	VP-797130	ABA636A6	AAA340BT11
AAB6410AA27	SES Phase I (N.Y.C.)	A431C32	VP-797120	ABA636A9	AAA340BL4
AAB6410AA31	SES Phase I (N.Y.C.)	A431C32	VP-797120	ABA636A9	AAA340BL4
AAB6410AA45	SES Phase I (N.Y.C. 1991)	A431C32	VP-797120	ABA636A9	AAA340BL9
AAB6410AA30	SES Phase II (Chicago)	A431C31	VP-797110	ABA636A9	AAA340BL5
AAB6410AA28	SES Phase II (N.Y.C.)	A431C33	VP-797120	ABA636A9	AAA340BL4

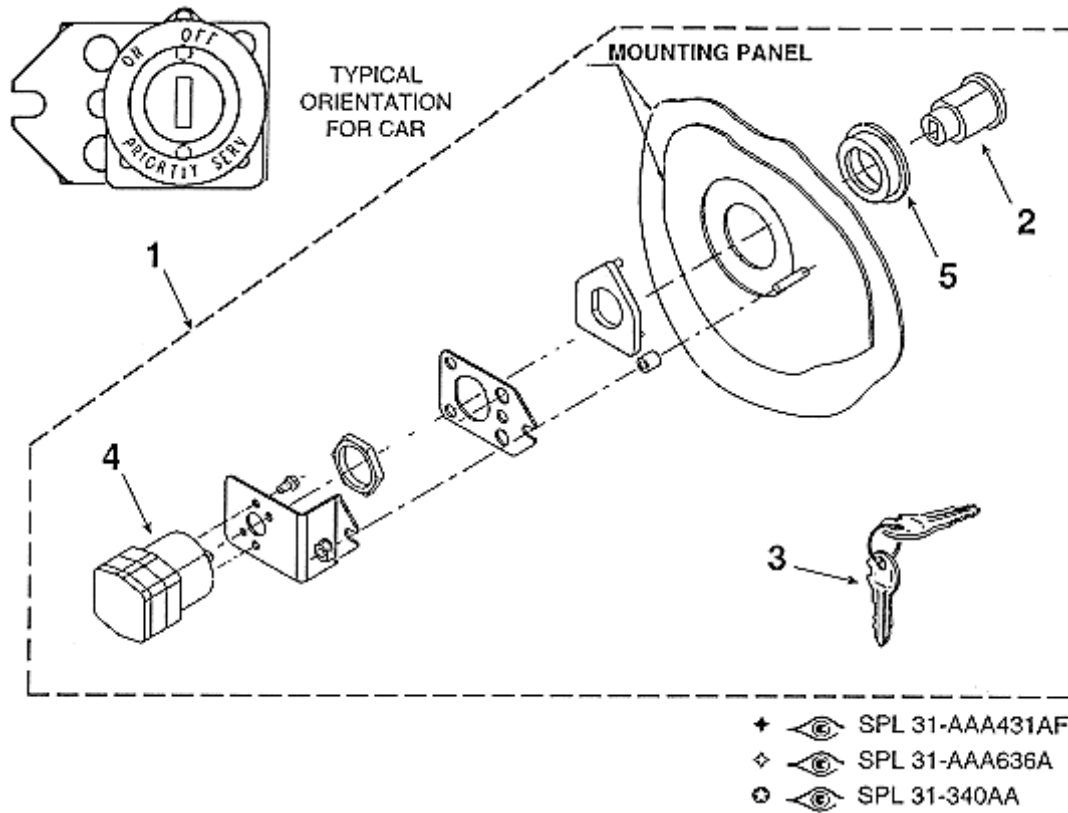
# SPL 31-AAA06410AAA - Series 1 - Luxury Fixtures, Keyswitches

Page 7



W/O VINTAGE					
REF. No. 1 KEYSWITCH ASSE4MBLY	FUNCTION	REF. No. 2 LOCK	REF. No. 3 KEY	REF. No. 4 SWITCH	REF. No. 5 COLLAR
AAB6410AA36	SES Phase I (Chicago)	A431C31	VP-797110	ABA636A9	AAA340BL5
AAB6410AA50	SES Phase I (MA)	A431C35	VP-797130	ABA636A6	AAA340BT11
AAB6410AA35	SES Phase I (N.Y.C.)	A431C32	VP-797120	ABA636A9	AAA340BL4
AAB6410AA43	SES Phase I (N.Y.C.)	A431C32	VP-797120	ABA636A9	AAA340BL7
AAB6410AA44	SES Phase I Remote (Chicago)	A431C31	VP-797110	ABA636A9	AAA340BL8
AAB6410AA51	SES Phase I Remote (MA)	A431C35	VP-797130	ABA636A5	AAA340BL8
AAB6410AA46	SES Phase I Remote (N.Y.C. 1991)	A431C32	VP-797120	ABA636A9	AAA340BL9
AAB6410AA34	SES Phase II (Chicago)	A431C31	VP-797110	ABA636A9	AAA340BL5
AAB6410AA42	SES Phase II (Chicago)	A431C31	VP-797110	ABA636A9	AAA340BL8
AAB6410AA52	SES Phase II (MA)	A431C36	VP-797130	ABA636A7	AAA340BL12
AAB6410AA33	SES Phase II (N.Y.C.)	A431C33	VP-797120	ABA636A9	AAA340BL4
AAB6410AA41	SES Phase II (N.Y.C.)	A431C33	VP-797120	ABA636A9	AAA340BL7
AAB6410AA47	SES Phase II (N.Y.C. 1991)	A431C32	VP-797120	ABA636A7	AAA340BT10

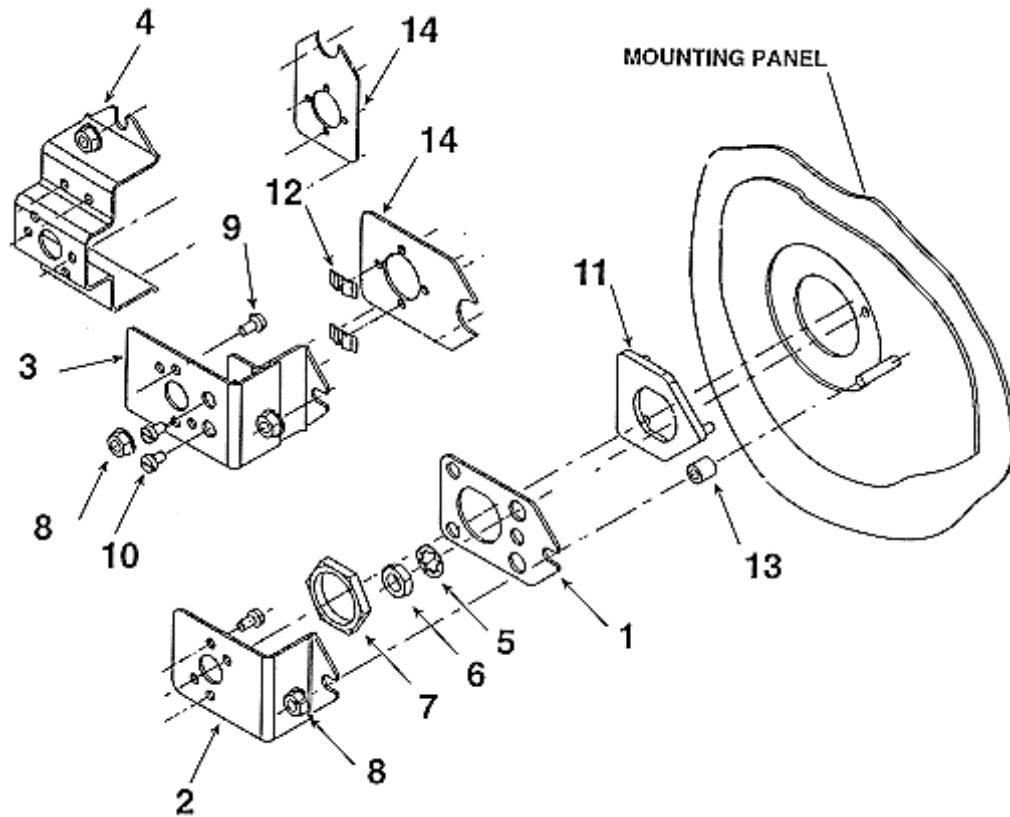
# SPL 31-AAA06410AAA - Series 1 - Luxury Fixtures, Keyswitches



W/O VINTAGE					
REF. No. 1 KEYSWITCH ASSEMBLY	FUNCTION	REF. No. 2 LOCK ✦	REF. No. 3 KEY	REF. No. 4 SWITCH ✧	REF. No. 5 COLLAR ⊙
AAB6410AA23	Attendant (ETO)	AAA431AF8	6410W-UTC	ABA636A5	AAA340BT19
AAB6410AA9	Attendant Service	AAA431AF8	6410W-UTC	ABA636A5	AAA340BT8
AAB6410AA61	Emergency Hospital Service	AAA431AF2	6410W-UTD	ABA636A5	AAA340BT1
AAB6410AA8	Emergency Hospital Service	AAA431AF2	6410W-UTD	ABA636A5	AAA340BT1
AAB6410AA16	Fan	AAA431AF1	6410W-UTA	ABA636A4	AAA340BT16
AAB6410AA13	In-Car-Stop (ANSI)	AAA431AF1	6410W-UTA	ABA636A10	AAA340BT12
AAB6410AA60	In-Car-Stop (B44 Code)	AAA431AF18	6410W-UTE	ABA636A10	AAA340BT12
AAB6410AA7	Independent Service	AAA431AF1	6410W-UTA	ABA636A5	AAA340BT1
AAB6410AA22	Independent Service (ETO)	AAA431AF1	6410W-UTA	ABA636A5	AAA340BT19
AAB6410AA14	Inspection Initiation	AAA431AF1	6410W-UTA	ABA636A5	AAA340BT13
AAB6410AA17	Light	AAA431AF1	6410W-UTA	ABA636A5	AAA340BT17
AAB6410AA15	Light Ray	AAA431AF1	6410W-UTA	ABA636A5	AAA340BT14
AAB6410AA21	Power	AAA431AF1	6410W-UTA	ABA636A5	AAA340BT11
AAB6410AA12	Rear Light Ray	AAA431AF1	6410W-UTA	ABA636A5	AAA340BT19
AAB6410AA11	Secure Access	AAA431AF20	6410W-UTB	ABA636A1	AAA340BT10
AAB6410AA38	SES PHASE II (ANSI 1987)	AAA431AF3	6410W-UTF	ABA636A7	AAA340BT24
AAB6410AA10	SES Phase II (ANSI 1987)	AAA431AF3	6410W-UTF	ABA636A7	AAA340BT9
AAB6410AA40	SES Phase II (ANSI, CA, PA)	AAA431AF11	6410W-UTF	ABA636A5	AAA340BT25
AAB6410AA58	SES Phase II (B44 Code)	AAA431AF3	6410W-UTF	ABA636A7	AAA340BT28
AAB6410AA26	SES Phase II 9ANSI, CA, PA)	AAA431AF11	6410W-UTF	ABA636A5	AAA340BT22



Page 9 - BRACKETS & HARDWARE



REF. NO.	W/O VINTAGE PART OR ML	DESCRIPTION
1	AAA316FDG1	Bracket
2	AAA316FDG2	Bracket
3	AAA316FFW1	Bracket
4	AAA316FKY1	Bracket
5	WSRSP6-1206ZP	Lockwasher, Internal, No. 6
6	NUTMS6-32CP	Nut, Hex, 6-32
7	SUPPLIED W/ LOCK	Nut, Hex
8	OBTAIN LOCAL	Nut, Flanged Whiz, 6-32
9	SUPPLIED W/SWITCH	Screw, Round Head, M3 x 6
10	OBTAIN LOCAL	Screw, Round Head, 4-36 x 3/16
11	AAA00462AAE001	Spacer
12	72CE18	Speed Nut
13	354CD57	Standoff
14	AAA131DN1	Washer, Special