

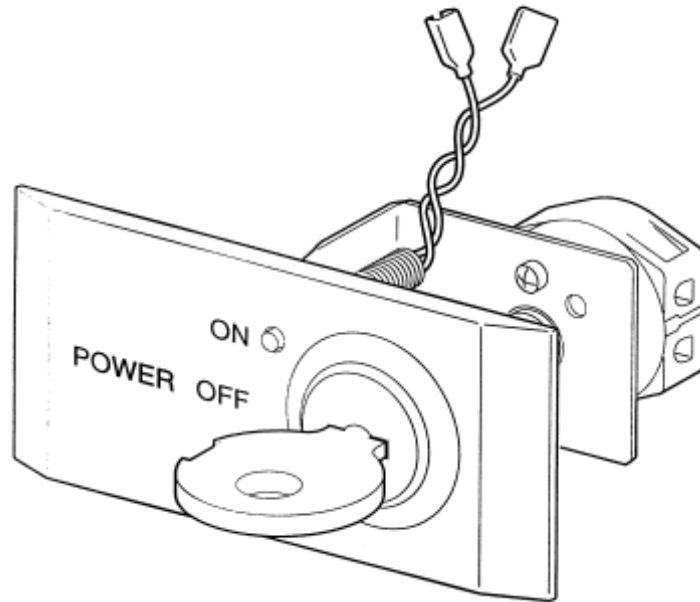
**SPL 31-AAA07069AAA - Keyswitch Modules Elevonic 411**

Unpublished Work - © Otis Elevator Company. Any unauthorized reproduction, disclosure, or distribution of copies or content by any person of any portion of this work may be a violation of Copyright Law of the United States of America. All rights reserved.

March 1995

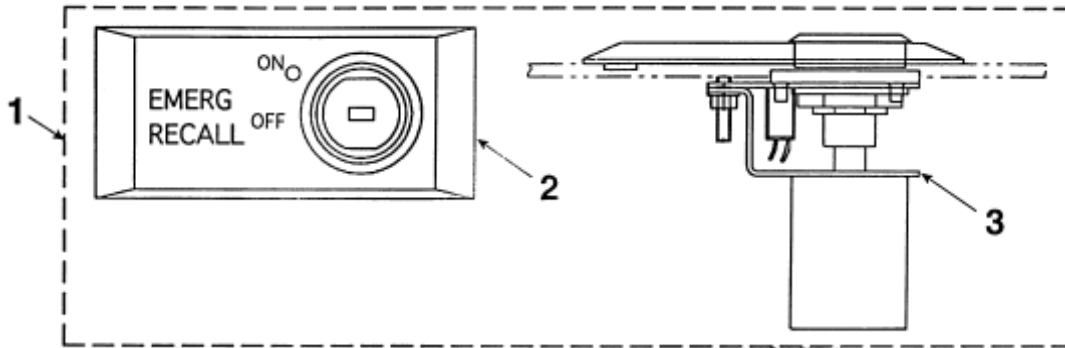
Page 1

**W/O  
VINTAGE**



SPL 31-AAA07069AAA - Keyswitch Modules Elevonic 411

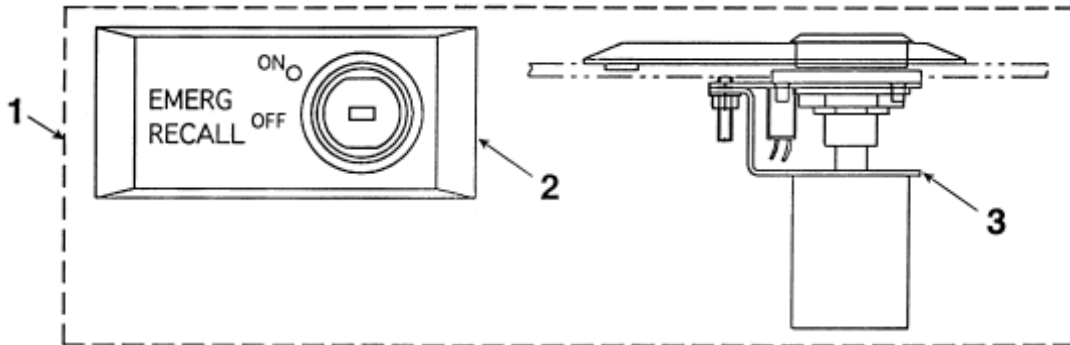
Page 2



KEYSWITCH MODULE DESCRIPTION	REF. 1 = KEYSWITCH MODULE 1st Line: AAA07069AAA				KEYSWITCH ASSEMBLY REF. NO. 3 AAB06410AAA
	REF. 2 = CHICKLET 2nd Line: ACA00396AAH See Also SPL 31-AAA00396AAH				
	PART NO.				
	FINISH: KEYSWITCH MODULE				
	STAINLESS STEEL		BRONZE		
MIRROR	BRUSH	MIRROR	BRUSH		
Attendant Service 1st Line 2nd Line	009	010	011	012	009
	017	018	019	020	
Attendant Service (ETO)	053	054	055	056	009
	057	058	059	060	
Emergency Hospital Service	005	006	007	008	008
	013	014	015	016	
Emergency Hospital Service	097	098	099	100	026
	013	014	015	016	
Emergency Hospital Service	113	114	115	116	039
	097	098	099	100	
Fan	041	042	043	044	016
	049	050	051	052	
Fan	105	106	107	108	028
	049	050	051	052	
In-Car-Stop, ANSI	025	026	027	028	013
	033	034	035	036	
In-Car-Stop (B44)	093	094	095	096	038
	033	034	035	036	
Independent Service	001	002	003	004	007
	009	010	011	012	
Independent Service (ETO)	049	050	051	052	007
	057	058	059	060	

SPL 31-AAA07069AAA - Keyswitch Modules Elevonic 411

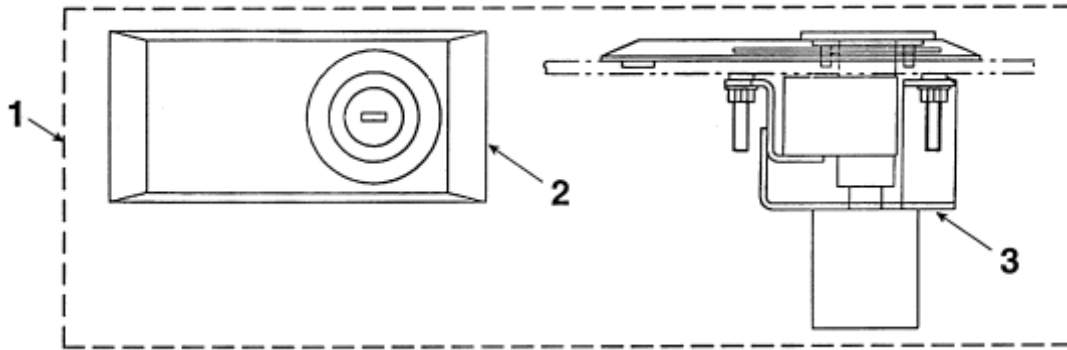
Page 3



KEYSWITCH MODULE DESCRIPTION	REF. 1 = KEYSWITCH MODULE 1st Line: AAA07069AAA				KEYSWITCH ASSEMBLY REF. NO. 3 AAB06410AAA	
	REF. 2 = CHICKLET 2nd Line: ACA00396AAH See Also SPL 31-AAA00396AAH					
	PART NO.					
	FINISH: KEYSWITCH MODULE					
	STAINLESS STEEL		BRONZE			
	MIRROR	BRUSH	MIRROR	BRUSH	See Also SPL 31-AAA06410AAA	
Inspection Initiation	1st Line	029	030	031	032	014
	2nd Line	037	038	039	040	
Light		045	046	047	048	017
		053	054	055	056	
Light Ray		033	034	035	036	015
		041	042	043	044	
Light Ray, Rear		037	038	039	040	015
		045	046	047	048	
Power		021	022	023	024	012
		029	030	031	032	
Secure Access		017	018	019	020	011
		025	026	027	028	
SES Ph. 2, (ANSI 1987)		013	014	015	016	010
		021	022	023	024	
SES Ph. 2 (ANSI 1987)		101	102	103	104	027
		021	022	023	024	
SES Ph. 2, (ANSI, CA, PA)		057	058	059	060	024
		085	086	087	088	
SES Ph. 2 (ANSI, CA, PA)		109	110	111	112	029
		085	086	087	088	
SES Ph. 2 In-Car Emergency Service (B44)		081	082	083	084	036
		089	090	091	092	

SPL 31-AAA07069AAA - Keyswitch Modules Elevonic 411

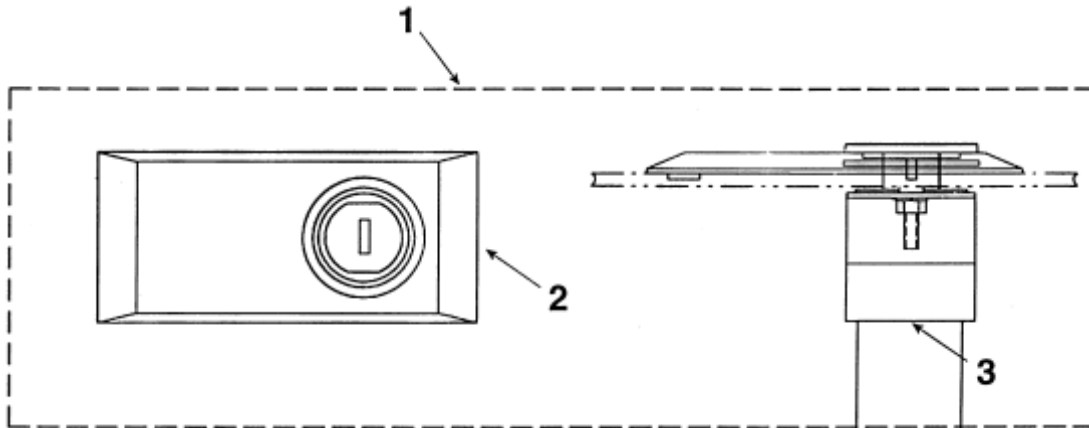
Page 4



KEYSWITCH MODULE DESCRIPTION	REF. 1 = KEYSWITCH MODULE 1st Line: AAA07069AAA__				KEYSWITCH ASSEMBLY REF. NO. 3 AAB6410AA__
	REF. 2 = CHICKLET 2nd Line: ACA00396AAH__ See Also SPL 31-AAA00396AAH				
	PART NO.				PART NO.
	FINISH: KEYSWITCH MODULE				See Also SPL 31-AAA06410AAA
	STAINLESS STEEL		BRONZE		
	MIRROR	BRUSH	MIRROR	BRUSH	
SES Ph. 2 (Chicago) 1st Line 2nd Line	065	066	067	068	30
	081	082	083	084	
SES Ph. 2 (N.Y.C)	061	062	063	064	28
	077	078	079	080	

SPL 31-AAA07069AAA - Keyswitch Modules Elevonic 411

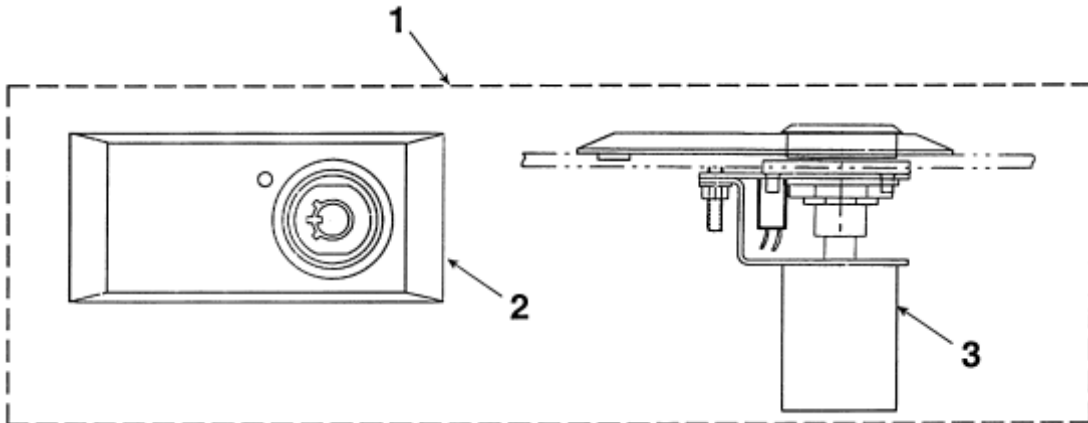
Page 5



KEYSWITCH MODULE DESCRIPTION	REF. 1 = KEYSWITCH MODULE 1st Line: AAA07069AAA__				KEYSWITCH ASSEMBLY REF. NO. 3 AAB6410AA__
	REF. 2 = CHICKLET 2nd Line: ACA00396AAH__ See Also SPL 31-AAA00396AAH				
	PART NO.				PART NO.
	FINISH: KEYSWITCH MODULE				See Also SPL 31-AAA06410AAA
	STAINLESS STEEL		BRONZE		
	MIRROR	BRUSH	MIRROR	BRUSH	
SES Ph. 2 (Chicago) 1st Line 2nd Line	073	074	075	076	34
	005	006	007	008	
SES Ph. 2 (N.Y.C.)	069	070	071	072	33
	005	006	007	008	
SES Ph. 2 (N.Y.C. 1991)	077	078	079	080	47
	005	006	007	008	
SES Ph. 2 (MA)	089	090	091	092	52
	005	006	007	008	

SPL 31-AAA07069AAA - Keyswitch Modules Elevonic 411

Page 6



<b>KEYSWITCH MODULE DESCRIPTION</b>	<b>REF. 1 = KEYSWITCH MODULE</b>		<b>KEYSWITCH ASSEMBLY REF. NO. 3 AAB06410AAA</b>			
	1st Line: AAA07069AAA					
	<b>REF. 2 = CHICKLET</b>					
	2nd Line: ACA00396AAH See Also SPL 31-AAA00396AAH					
	<b>PART NO.</b>					
	<b>FINISH: KEYSWITCH MODULE</b>					
<b>STAINLESS STEEL</b>		<b>BRONZE</b>		<b>See Also SPL 31-AAA06410AAA</b>		
<b>MIRROR</b>	<b>BRUSH</b>	<b>MIRROR</b>	<b>BRUSH</b>			
<b>085</b>	<b>086</b>	<b>087</b>	<b>088</b>			
<b>SES Ph. 2 (CT)</b>	<b>1st Line</b>	<b>021</b>	<b>022</b>	<b>023</b>	<b>024</b>	<b>033</b>
	<b>2nd Line</b>					