

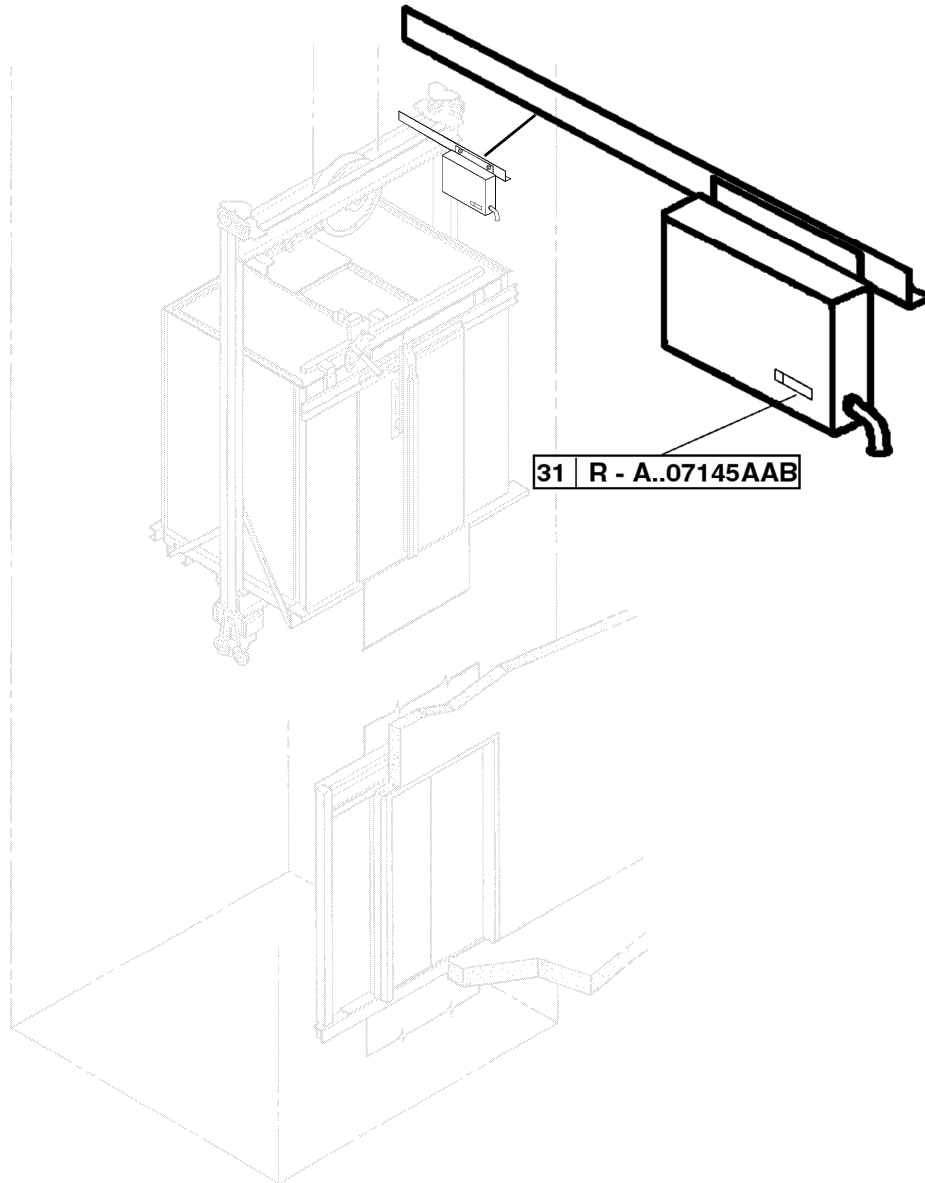
Elevonic® 411
Top-of-Car
Interface Box

Spare Parts Leaflet

31-AAA07145AAB

June 1, 2000 / Page 1 of 10

Supersedes SPL 31-A..07145AAB, Dated June 1991



OTIS

SERVICE ENGINEERING

Otis Elevator Company
Bloomfield, Connecticut USA

| |
|-----------------------------|
| History |
| 31-AAA07145AAB |
| First Published: April 1989 |

| |
|---|
| Elevonic® 411 Top-of-Car Interface Box |
|---|

| REVISED DATE | RESPONSIBLE ENGINEER | PRIMARY REASON FOR REVISION |
|--------------|------------------------------|-----------------------------|
| April 1989 | J. Costley, Technical Writer | New SPL |
| June 1991 | J. Costley, Technical Writer | Update |
| June 2000 | Frank Dyer | Parts changes |

Leaflet Description

This assembly mounts on top of the car. It contains components that interface to the electroluminescent display, door dwell, and speech control apparatus.

The assembly has gone through improvements adding and omitting parts. The parts changes, in some cases, required changes to the physical layout of the parts to the baseplate. Ensure that you determine the correct vintage of the assembly on which you are working.

| RELATED LEAFLET NUMBERS | TITLES |
|-------------------------|--------|
| --- | |
| --- | |

| DRAWING REFERENCES |
|--------------------|
| AHA07145AAB |
| |

| RELATED DOCUMENT NUMBERS | TITLES |
|--------------------------|--------|
| --- | |
| | |

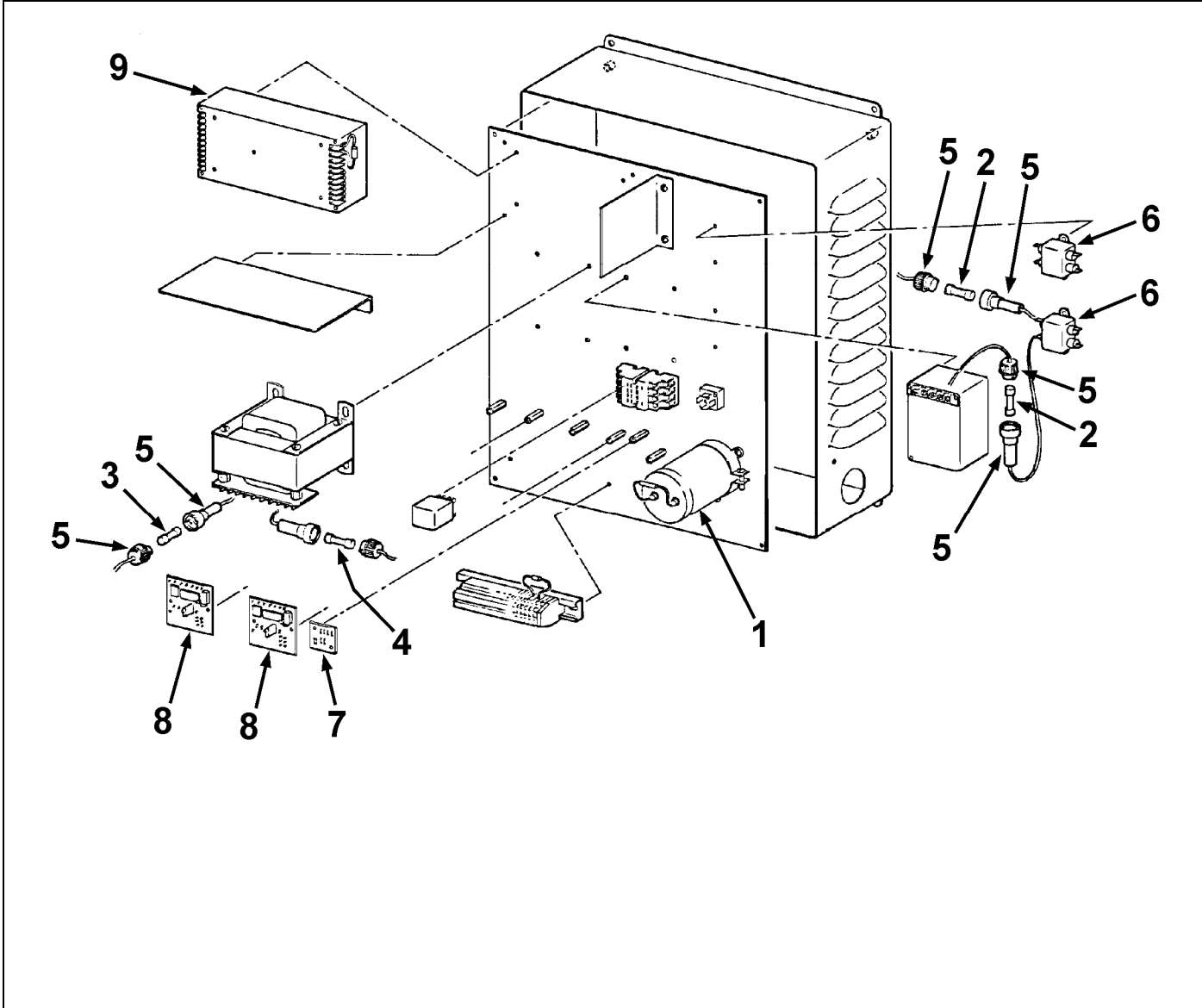
This Spare Parts Leaflet (SPL) is prepared to assist you in determining the Lowest Replaceable Units (LRU) supported by the Otis Service Center for the standard version of the product titled on the preceding page. The parts are chosen by Otis associates from: Engineering, Field Engineering, Service Engineering, and Manufacturing. We attempt to make part identification as easy as possible. The SPL, however, cannot be all inclusive. Elevator and escalator contracts classified as either "special" or "custom" is not addressed. Alternative sources of information such as: the Contract Folder, Technical Information Publications, Field Education Articles, Construction Letters, etc. may give the information you are after. You live in the real world of maintaining your elevator and escalator contracts. On a daily basis, situations arise regarding parts identification and at times, for some reason, the part you need is not in the SPL. If you think a standard part not listed should be—let us know. We will respond.

| |
|--|
| |
|--|

Frank Dyer-Service Engineering

Type AAA07145AAB Interface Box

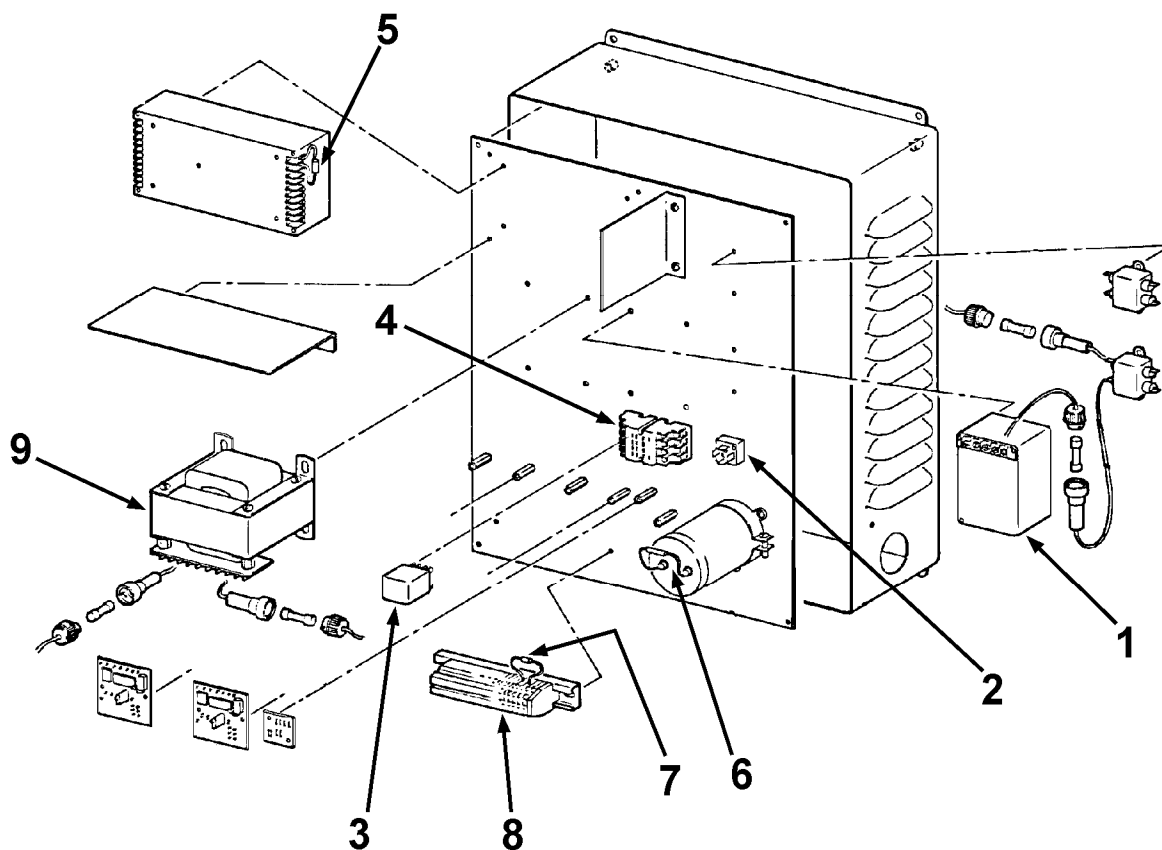
31-AAA07145AAB



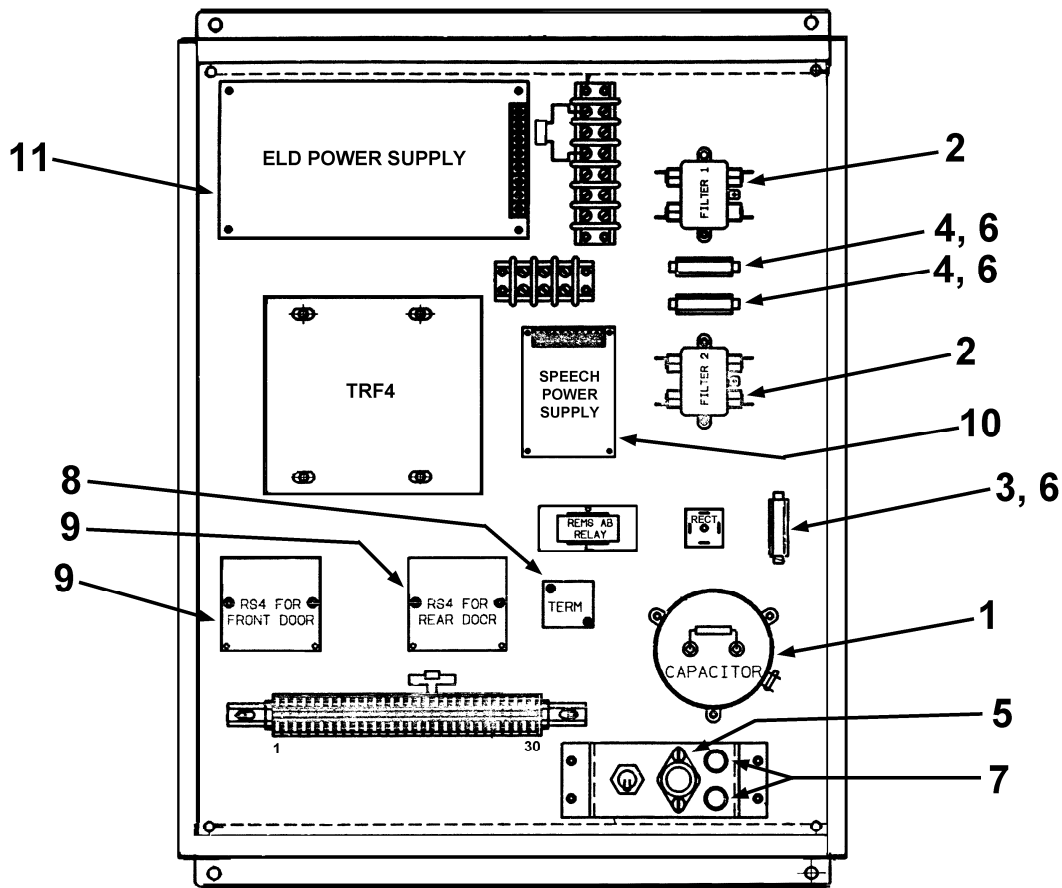
| AAA07145AAB | | |
|-------------|----------------|---|
| REF. NO. | PART or ML | DESCRIPTION |
| 1 | 226DR4 | Capacitor |
| 2 | 375T2 | Fuse, 2 A (F3, F4) |
| 3 | 375T30 | Fuse, 10 A (F1) |
| 4 | 375T33 | Fuse, 25 A (F2) |
| 5 | P180BU1 | Fuse Holder |
| 6 | AAA00605AAC001 | Line Filter, Filter 1 = all Filter 2 = <input type="checkbox"/> ELD/Speech |
| 7 | 9693J1 | PC Board, Line Terminator, 75 Ω |
| 8 | 9693C4 | PC Board, Remote Station |
| 9 | AAA00621AAB002 | Power Supply, <input type="checkbox"/> Electroluminescent Display Option |

(continued on next page)

Type AAA07145AAB Interface Box

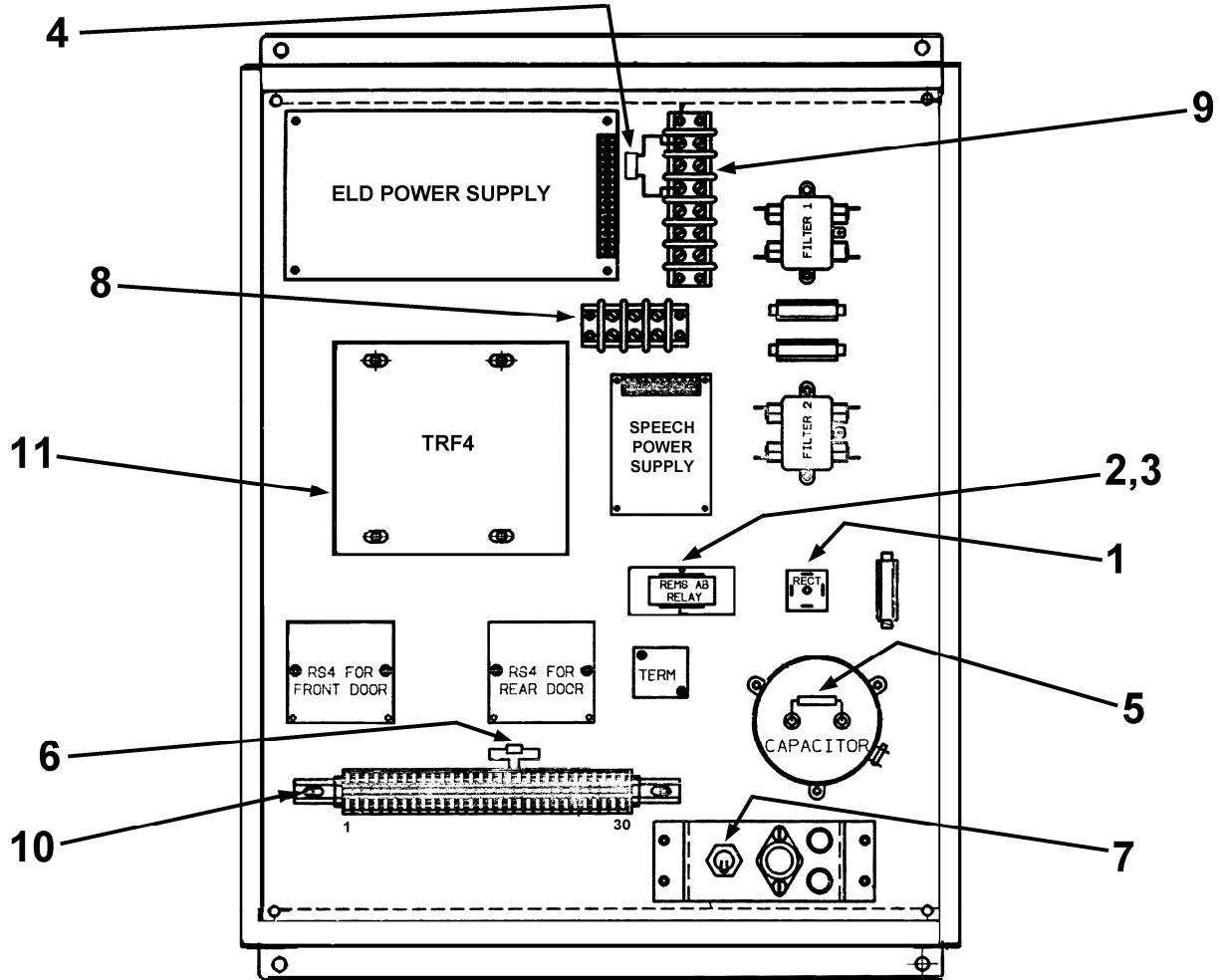


| REF. NO. | AAA07145AAB PART or ML | DESCRIPTION |
|----------|---------------------------|--|
| 1 | 621P1 | Power Supply, W → Speech Option |
| 2 | 230BS2 | Rectifier |
| 3 | 630H4 | Relay, 2-Pole, 12 VDC |
| 4 | 618AE3 | Relay Socket |
| 5 | AAA00232AAB001 | Resistor, 10 Ω , W → Electroluminescent Display Option |
| 6 | 232AT10 | Resistor, 1500 Ω |
| 7 | AAA605AD18 | Suppressor |
| 8 | AAB303EB1 | Terminal Block |
| 9 | AAA00235AAG001 | Transformer, Secondary: X1-X2, 12 V; X3-X4, 24 V |



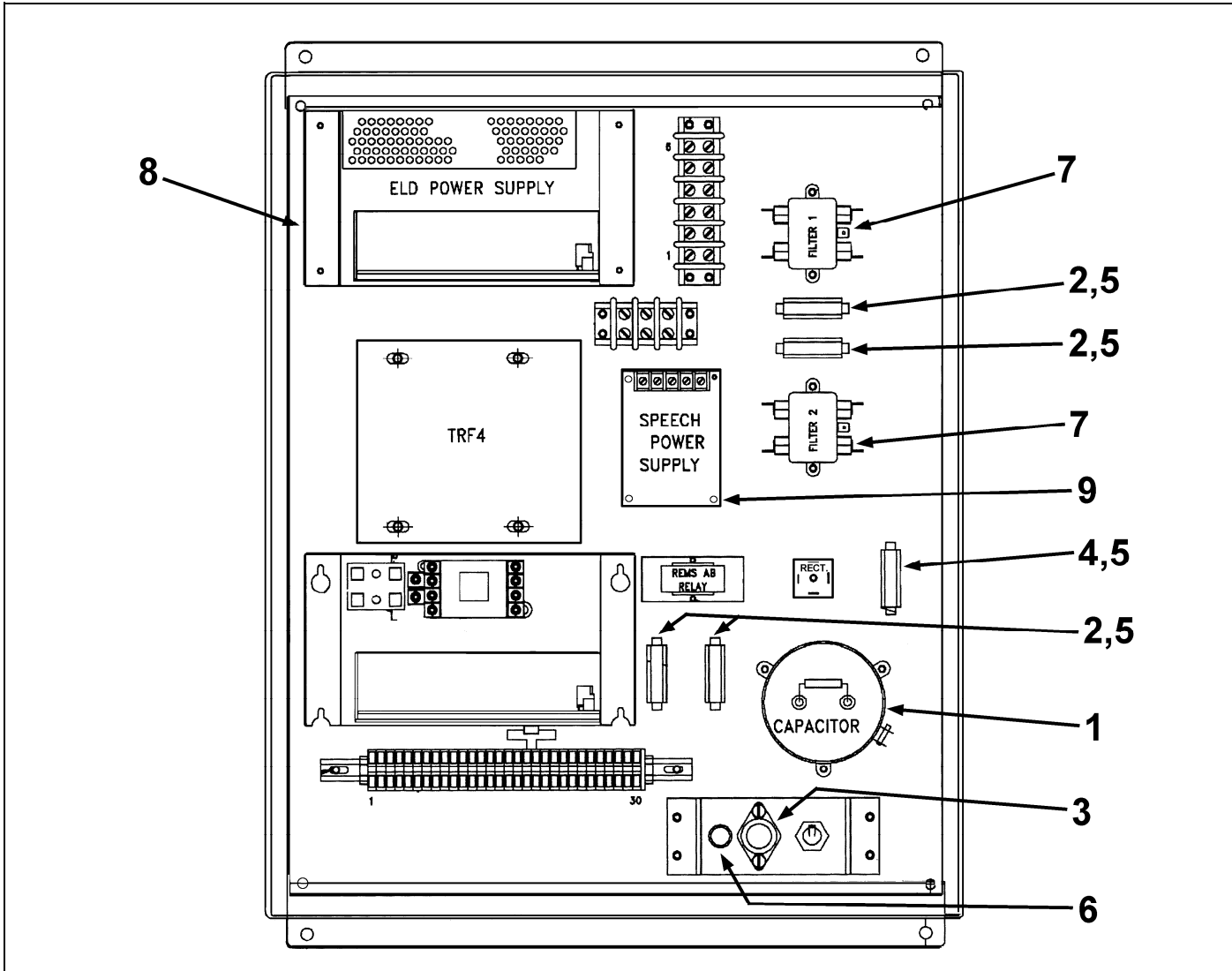
| REF. NO. | ABA07145AAB | ACA07145AAB | ADA07145AAB AEA07145AAB | DESCRIPTION |
|----------|----------------|-------------|----------------------------|---|
| 1 | 226DR4 | | | Capacitor |
| 2 | AAA00605AAC001 | | | Line Filter, Filter 1 = all Filter 2 = <input type="checkbox"/> ELD/ Speech |
| 3 | AAA375BT12 | | | Fuse, 10 A (F1) |
| 4 | 375T2 | | | Fuse, 2 A (F3, F4) |
| 5 | AAA375BV1 | | | Fuse, 30 A, 250 V (F5) |
| 6 | AAA00180AAD013 | | | Fuse Holder |
| 7 | AAA424AB2 | | | Lamp, Red Neon, 250 V |
| 8 | 9693J1 | --- | | PC Board, Line Terminator, 75 Ω |
| | --- | 9693J2 | | PC Board, Line Terminator, 50 Ω |
| 9 | 9693C4 | --- | | PC Board, Remote Station |
| 10 | 621P1 | | | Power Supply, <input type="checkbox"/> Speech Option |
| 11 | AAA00621AAB002 | | | Power Supply, <input type="checkbox"/> ELD Option |

(continued on next page)



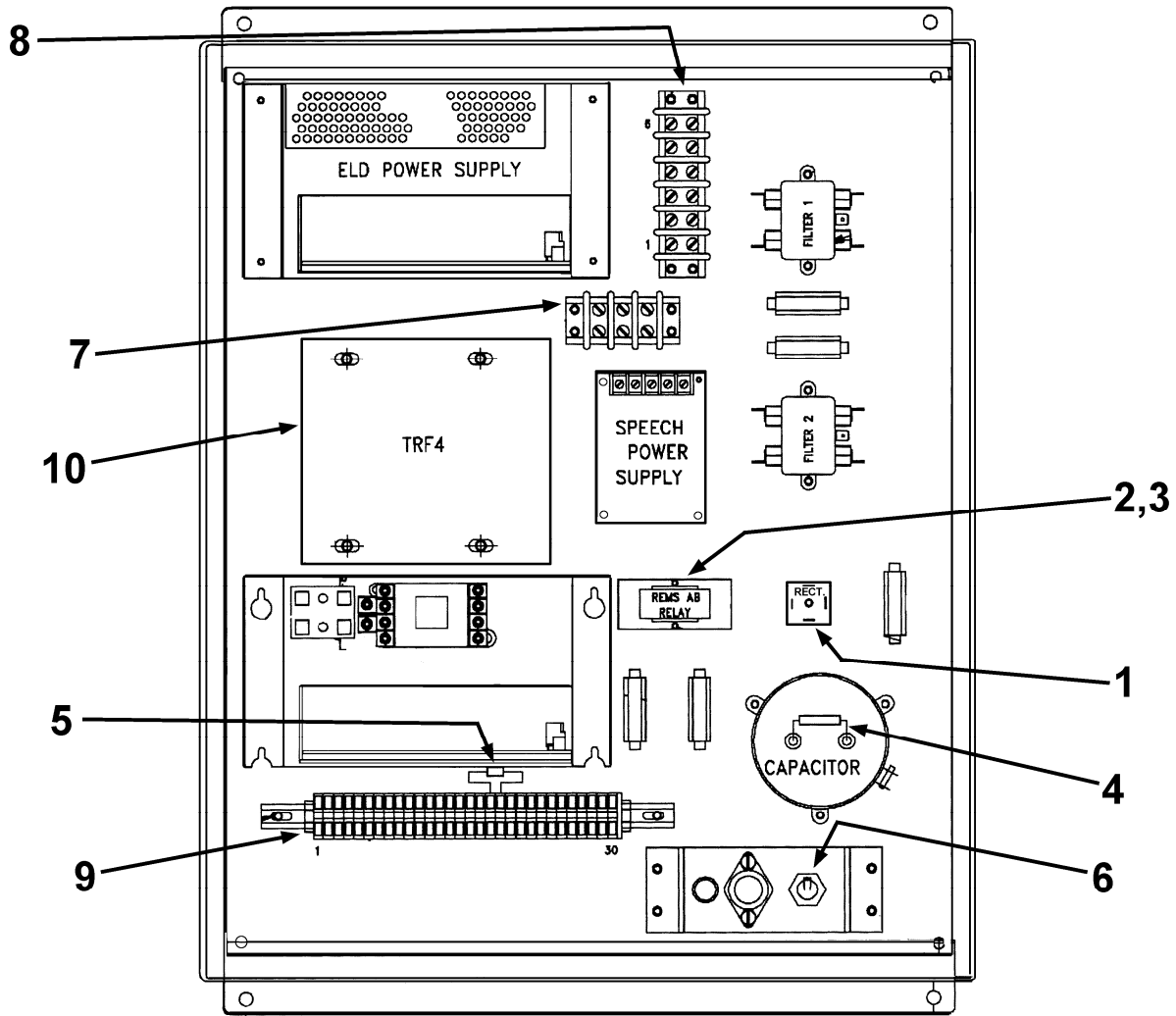
ABA07145AAB
 ACA07145AAB
 ADA07145AAB
 AEA07145AAB

| REF. NO. | PART or ML | DESCRIPTION |
|----------|----------------|--|
| 1 | 230BS2 | Rectifier |
| 2 | AAA613CZ1 | Relay, 2-Pole, 12 VDC |
| 3 | 618AE3 | Relay Socket |
| 4 | AAA00232AAC001 | Resistor, 10 Ω, W → Electroluminescent Display Option |
| 5 | 232AT10 | Resistor, 1500 Ω |
| 6 | AAA605AD18 | Suppressor |
| 7 | 177CN3 | Switch, Toggle 3-Pole, Single-Throw, 10 A, 250 V |
| 8 | 303G1 | Terminal Block, 3 Terminals (ETB1) |
| 9 | 303G2 | Terminal Block, 6 Terminals (ETB2) |
| 10 | AAB303EB1 | Terminal Block |
| 11 | ABA00235AAG001 | Transformer, Secondary: X1-X2, 12 V; X3-X4, 24 V |

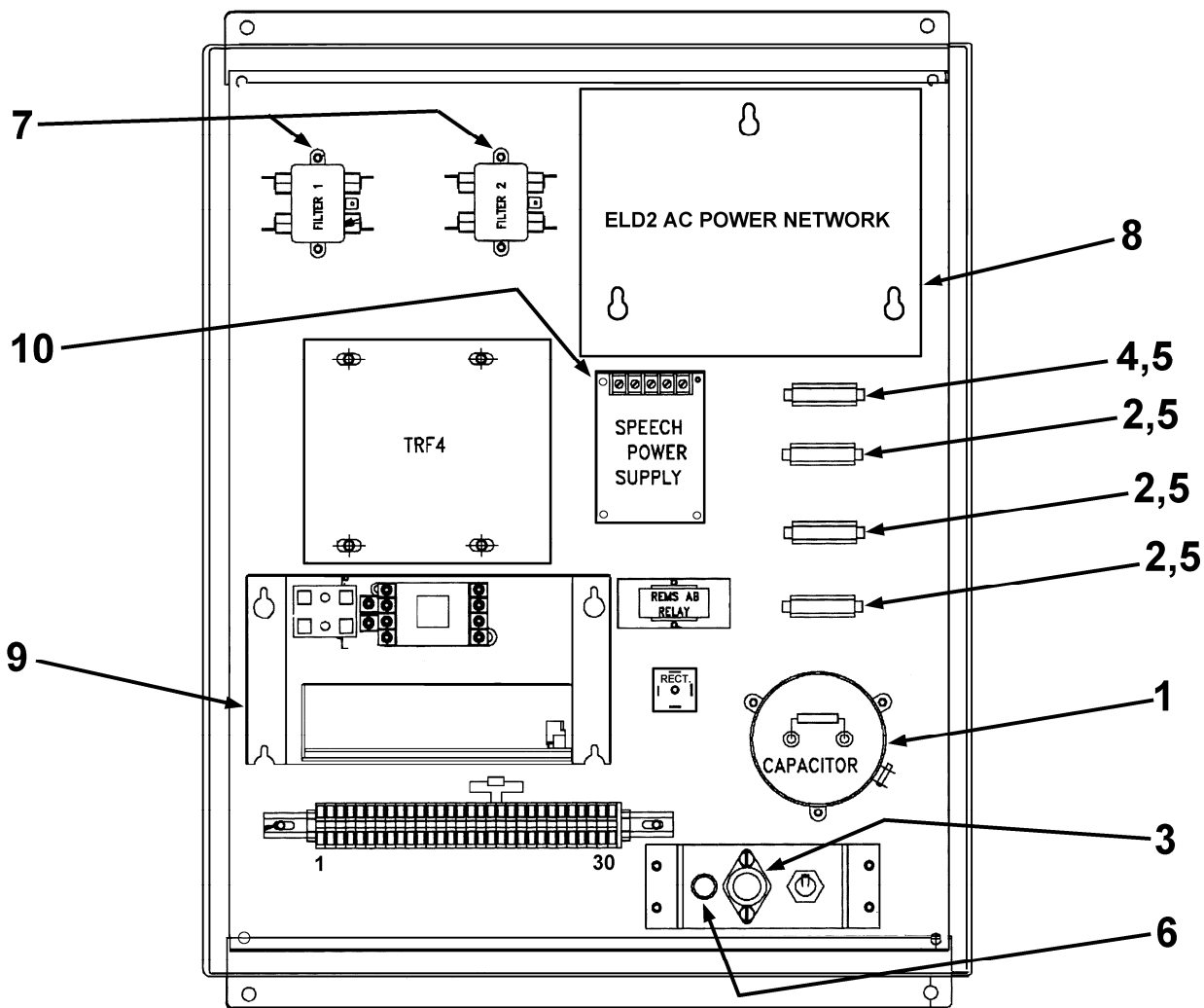


| AFA07145AAB AGA07145AAB | | |
|----------------------------|----------------|--|
| REF. NO. | PART or ML | DESCRIPTION |
| 1 | 226DR4 | Capacitor |
| 2 | 375T2 | Fuse, 2 A (F3, F4, F5, F6) |
| 3 | AAA375BV1 | Fuse, 30 A, 250 V (F5) |
| 4 | AAA375BT12 | Fuse, 10 A (F1) |
| 5 | AAA00180AAD013 | Fuse Holder |
| 6 | AAA424AB2 | Lamp, Red Neon, 250 V |
| 7 | AAA00605AAC001 | Line Filter, \overline{W} Filter 1 = all except E311VF Filter 2 = \overline{W} ELD/Speech |
| 8 | AAA7145CH1 | Power Supply, \overline{W} Electroluminescent Display Option |
| 9 | 621P1 | Power Supply \overline{W} Speech Option |

(continued on next page)

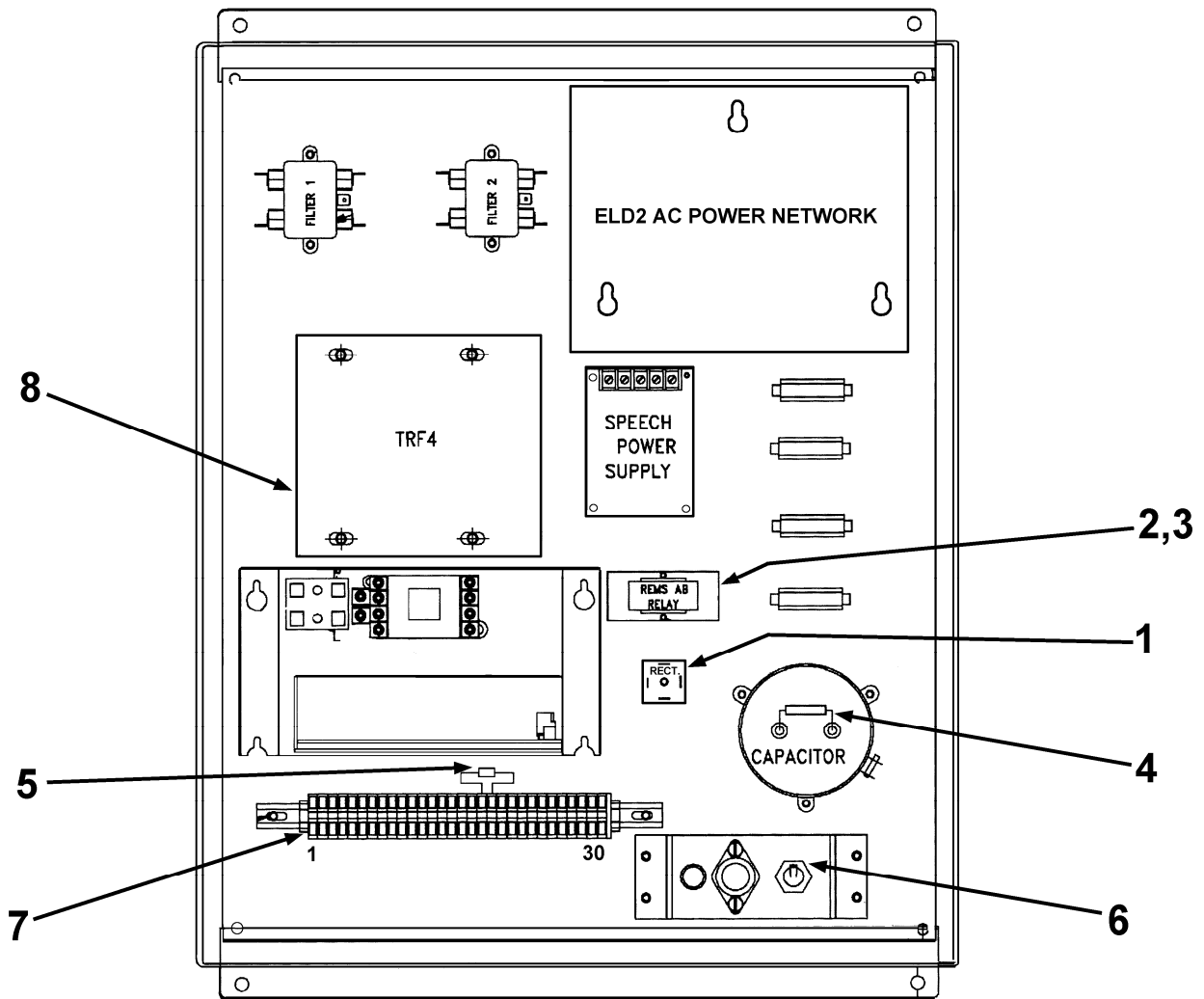


| AFA07145AAB AGA07145AAB | | |
|------------------------------------|----------------|---|
| REF. NO. | PART or ML | DESCRIPTION |
| 1 | 230BS2 | Rectifier |
| 2 | AAA613CZ1 | Relay, 2-Pole, 12 VDC |
| 3 | 618AE3 | Relay Socket |
| 4 | 232AT10 | Resistor, 1500 Ω |
| 5 | AAA605AD18 | Suppressor |
| 6 | 177CN3 | Switch, Toggle, 3-Pole, Single-Throw, 10 A, 250 V |
| 7 | 303G1 | Terminal Block, 3 Terminals (ETB1) |
| 8 | 303G2 | Terminal Block, 6 Terminals (ETB2) |
| 9 | AAB303EB1 | Terminal Block |
| 10 | ABA00235AAG001 | Transformer, Secondary: X1-X2, 12 V; X3-X4, 24 V |



| REF. NO. | PART or ML | DESCRIPTION |
|----------|----------------|--|
| 1 | 226DR4 | Capacitor |
| 2 | 375T2 | Fuse, 2 A (F4, F5, F6) |
| 3 | AAA375BV1 | Fuse, (F5) |
| 4 | AAA375BT12 | Fuse, 10 A (F1) |
| 5 | AAA00180AAD013 | Fuse Holder |
| 6 | AAA424AB2 | Lamp, Red Neon, 250 V |
| 7 | AAA00605AAC001 | Line Filter, W → Filter 1 = all except E311VF Filter 2 = W → ELD/Speech |
| 8 | AAA26800SP1 | Power, AC Network, W → Electroluminescent Display Option |
| 9 | AAA7145CH2 | Power Supply, W → Hong Kong Door Lock Option |
| 10 | 621P1 | Power Supply W → Speech Option |

(continued on next page)



| AHA07145AAB | | |
|-------------|----------------|---|
| REF. NO. | PART or ML | DESCRIPTION |
| 1 | 230BS2 | Rectifier |
| 2 | AAA613CZ1 | Relay, 2-Pole, 12 VDC |
| 3 | 618AE3 | Relay Socket |
| 4 | 232AT10 | Resistor, 1500 Ω |
| 5 | AAA605AD18 | Suppressor |
| 6 | 177CN3 | Switch, Toggle, 3-Pole, Single-Throw, 10 A, 250 V |
| 7 | AAB303EB1 | Terminal Block |
| 8 | ABA00235AAG001 | Transformer, Secondary: X1-X2, 12 V; X3-X4, 24 V |