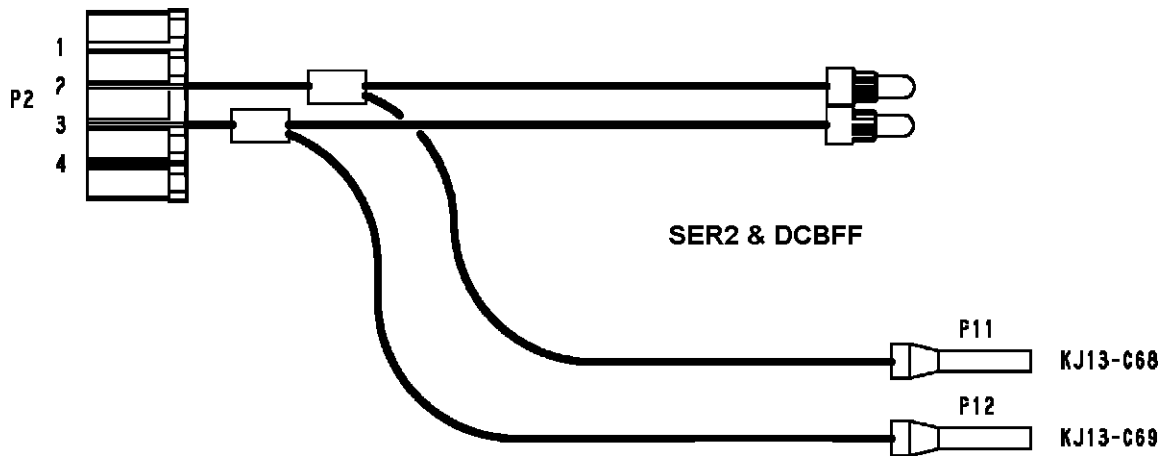


**Wiring Harness
Series 2, 4, 5, & 6 COPs
(RSL Use)**

Spare Parts Leaflet

31-AAA174AJB

April 28, 2009 / Page 1 of 12



Leaflet Description

This leaflet provides spare parts information for RSL (remote serial link) COP wiring harnesses (used on Series 2, 4, 5, and 6 COPs).

In most cases, wire lengths are “as specified”. In other cases, wire lengths are usually 3760 mm long.

Leaflet Revisions

Date Revised	Subject Matter Expert	Reason for Revision
July 31, 2006	Joseph D. Zych	New Leaflet
April 28, 2009	Joseph D. Zych	Corrected acronym CCB on p. 3

Related Drawings

Drawing No.	Title	Drawing No.	Title
AAA174AJB	Wiring Harness Discrete COP		

Related Documents

Document ID	Title
---	---

Subject Matter Expert

Name	Department
Joseph D. Zych	OSC Service Engineering

About Spare Parts Leaflets...

This document lists the lowest replaceable units (LRUs) for the standard version of the product. The LRUs are chosen by a team of Otis associates representing engineering and manufacturing.

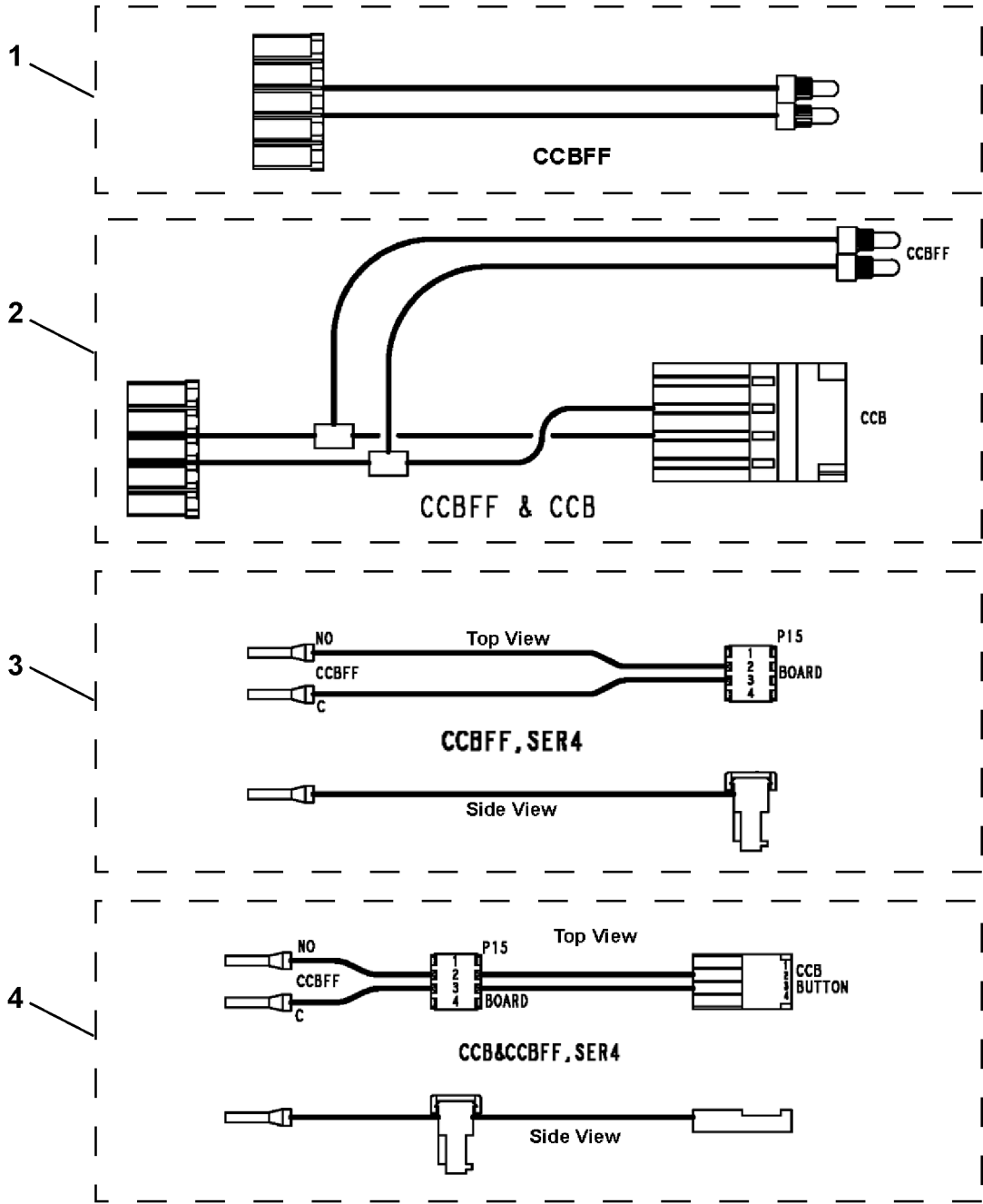
While goal of this document is to make parts identification as easy as possible, the document cannot be all-inclusive. Elevator and escalator contracts classified as “special” or “custom” are not addressed here. For such contracts, please refer to specified information, the contract folder, TIPs, Field Education Articles, Construction Letters, etc. for further information.

If you have any suggestions about this document, please contact the subject matter expert listed on this page.

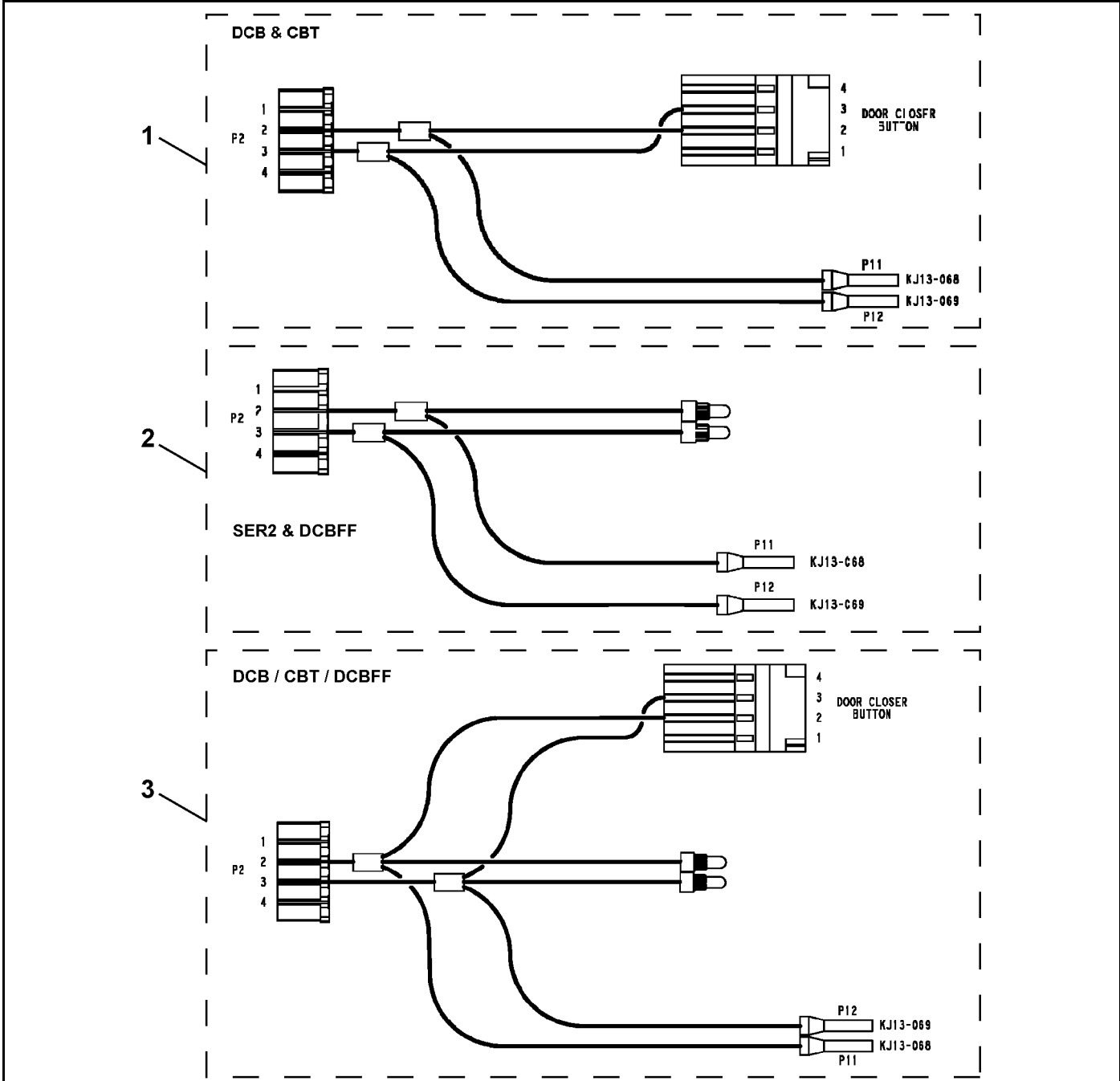
Acronym Definitions

31-AAA174ABJ

ACRONYM	DESCRIPTION
BUZ	Buzzer
CCB	Call Cancel Button
CBT	Two Car Operating Panels
CCBFF	Cancel Call Button, Firefighter's Service Panel
DCBFF	Door Close Button, Firefighter's Service Panel
DCB	Door Close Button
DFS	Doors Full Selective
DOB	Door Open Button
DOBFF	Door Open Button, Firefighter's Service Panel
DOBX	Door Open Button (auxiliary COP)
ES2	Emergency Service Phase II w/2 Position Keyswitch
ESKFF	Emergency Fire Phase II Keyswitch; Emergency Service Keyswitch, Firefighter's Service Panel
ESTFF	Emergency Stop Switch (toggle), Firefighter's Service Panel
FF	Firemen's Service Panel
FSL	Firemen's Service Light
ISS	Independent Service Switch
RDCB	Rear Door Close Button
RDCBFF	Rear Door Close Button, Firefighter's Service Panel
RDOCBX	Rear Door Close Button (auxiliary COP)
RDOBFF	Rear Door Open Button, Firefighter's Service Panel
RDOBX	Rear Door Open Button (auxiliary COP)
SESLFF	SES Phase I (fire hat), Firefighter's Service Panel
SER	Series type of COP



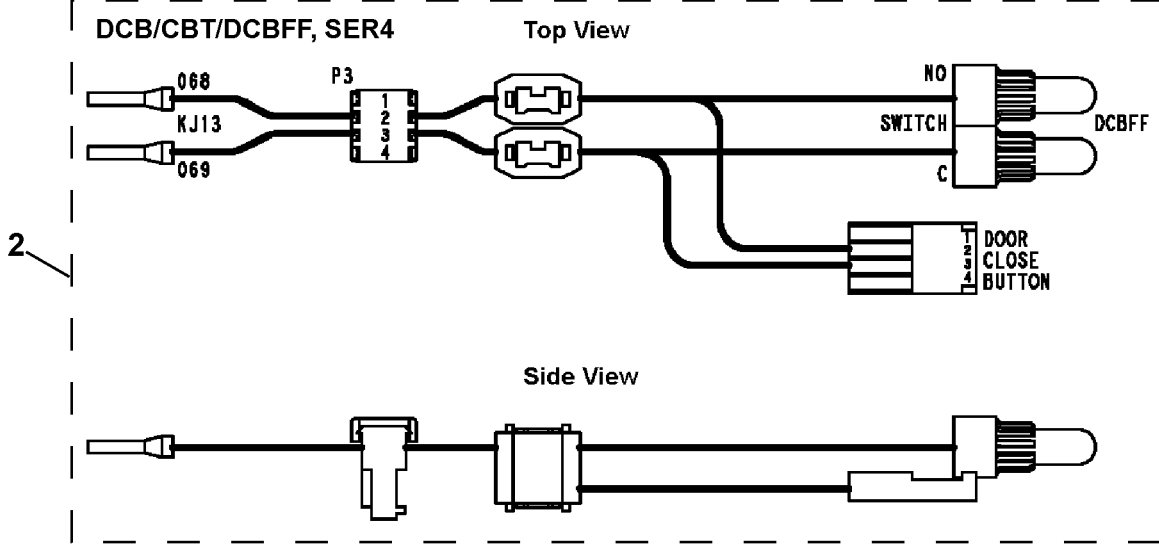
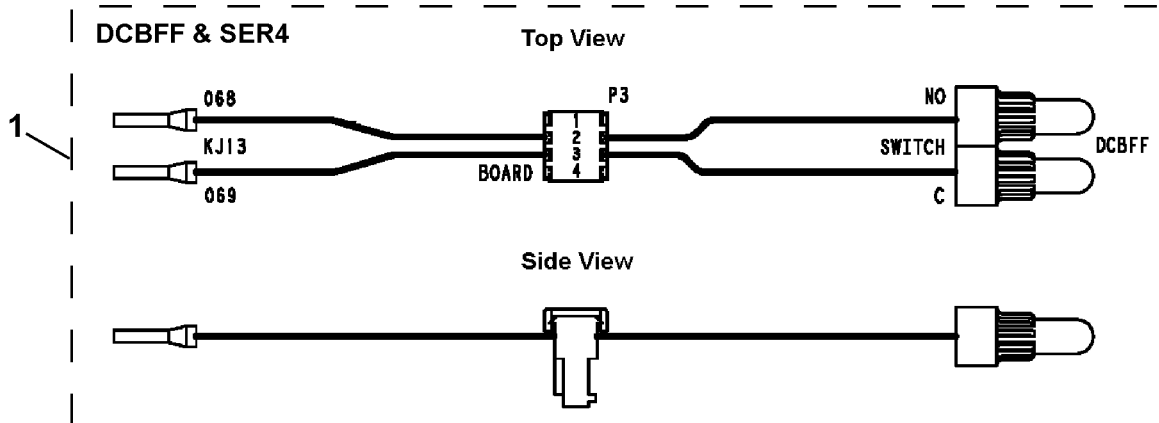
W/O VINTAGE			
REF. No.	PART No.	DESCRIPTION	CONDITIONS
1	AAA174AJB13	Button, Call Cancel	CCBFF (SER2/SER5)
2	AAA174AJB18	Button, Call Cancel	CCBFF & CCB (SER2/SER5)
3	AAA174AJB23	Button, Call Cancel	CCBFF (SER4)
4	AAA174AJB24	Button, Call Cancel	CCBFF & CCB (SER4)



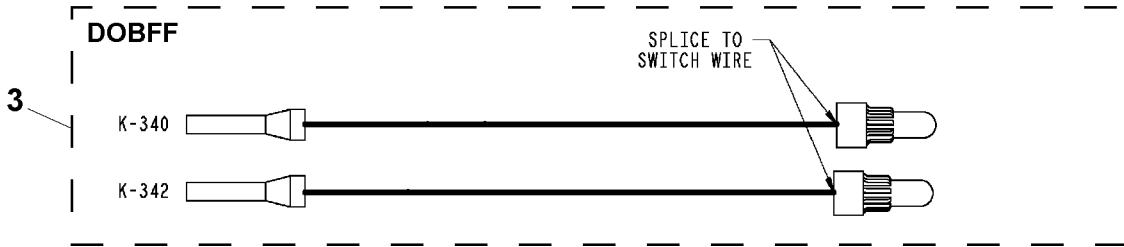
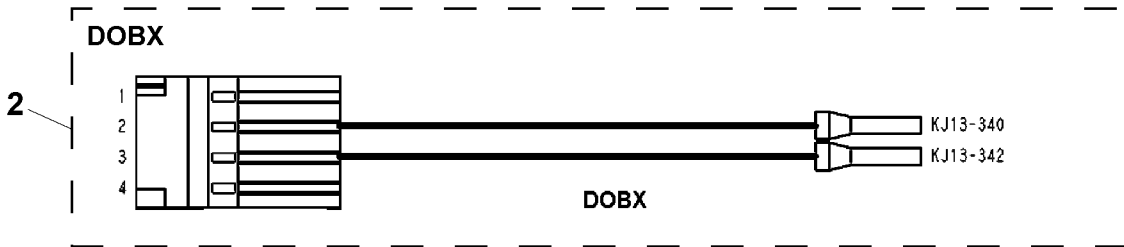
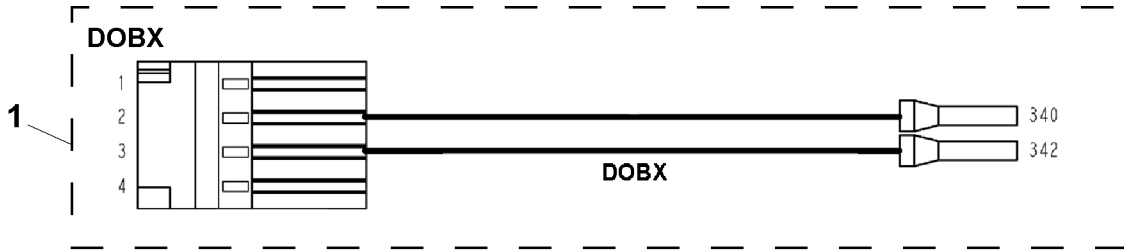
W/O VINTAGE

REF. No.	PART No.	DESCRIPTION	CONDITIONS
1	AAA174AJB5	Button, Door Close	DCB + CBT (SER2/SER5)
2	AAA174AJB11	Button, Door Close	DCBFF (SER2/SER5)
3	AAA174AJB15	Button, Door Close	DCB/CBT/DCBFF (SER2/SER5)

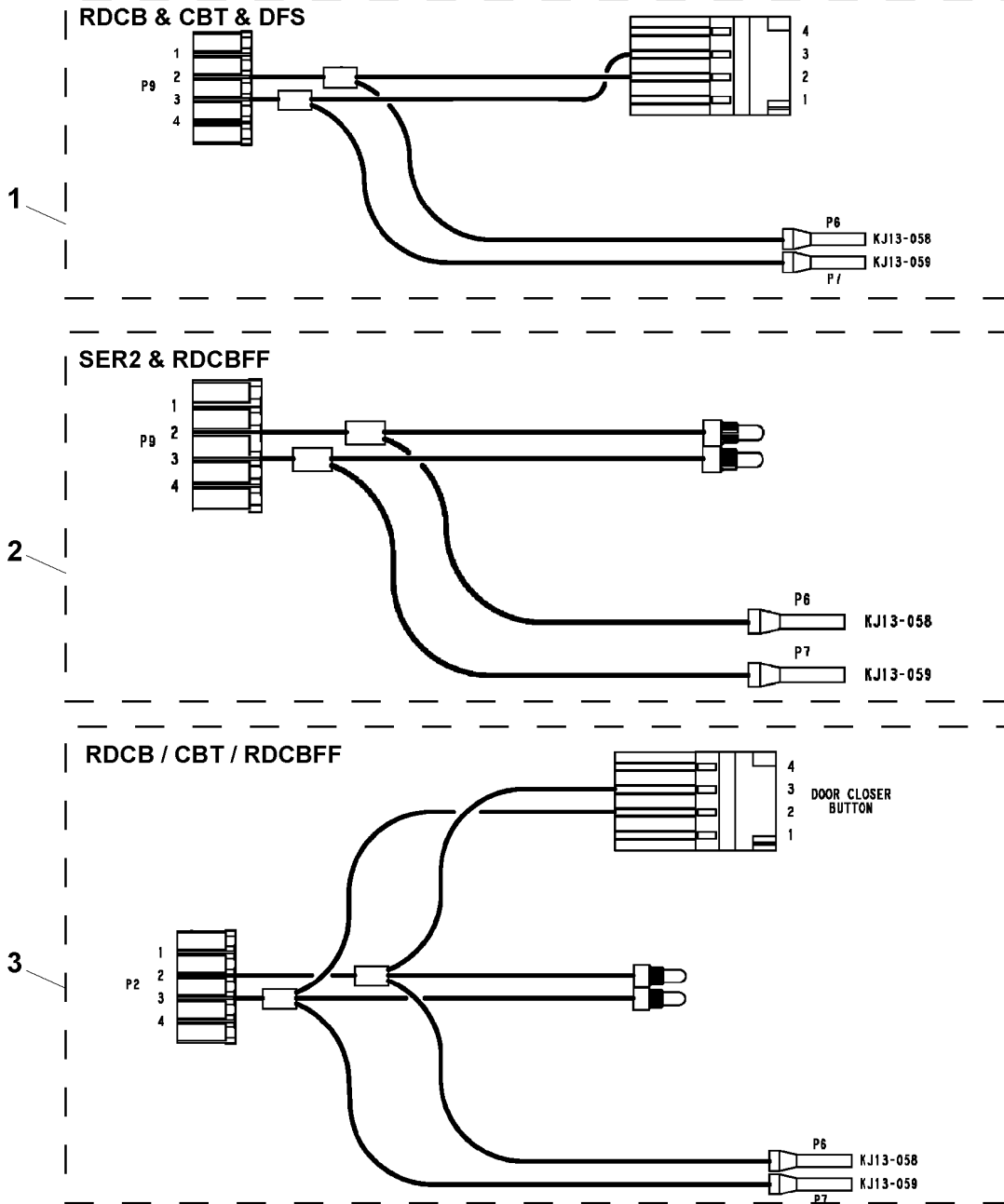
Continued on Next Page



W/O VINTAGE			
REF. No.	PART No.	DESCRIPTION	CONDITIONS
1	AAA174AJB19	Button, Door Close	DCBFF (SER4)
2	AAA174AJB21	Button, Door Close	DCB/CBT/DCBFF (SER4)

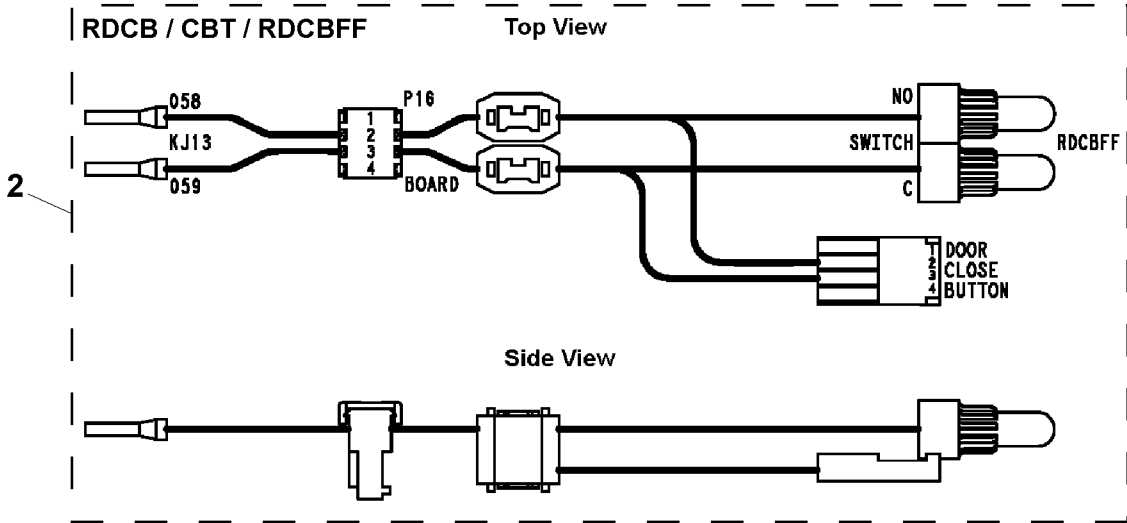
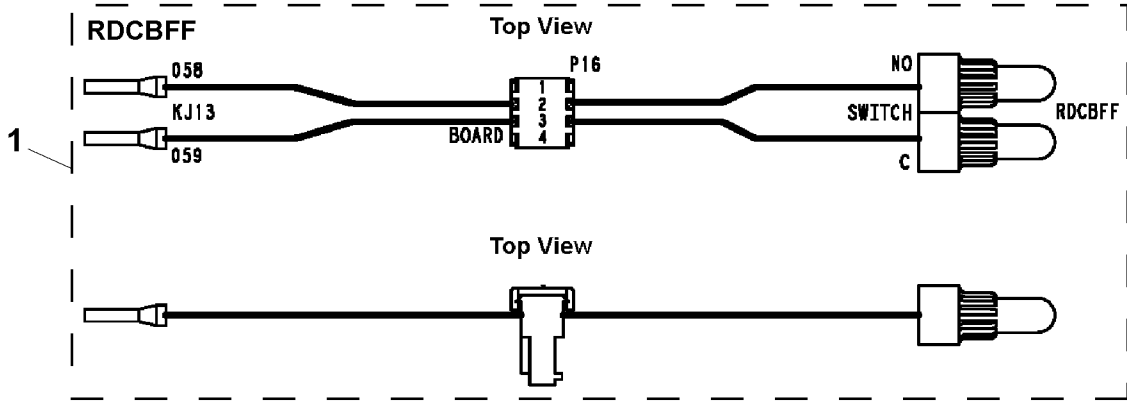


W/O VINTAGE			
REF. No.	PART No.	DESCRIPTION	CONDITIONS
1	AAA174AJB1	Button, Door Open	---
2	AAA174AJB2	Button, Door Open (auxiliary COP)	DOBX & CBT
3	AAA174AJB9	Button, Door Open	DOBFF



W/O VINTAGE			
REF. No.	PART No.	DESCRIPTION	CONDITIONS
1	AAA174AJB6	Button, Rear Door Close	RDCB + CBT + DFS (SER2/SER5)
2	AAA174AJB12	Button, Rear Door Close	RDCBFF (SER2/SER5)
3	AAA174AJB16	Button, Rear Door Close	RDCB/CBT/RDCBFF (SER2/SER5)

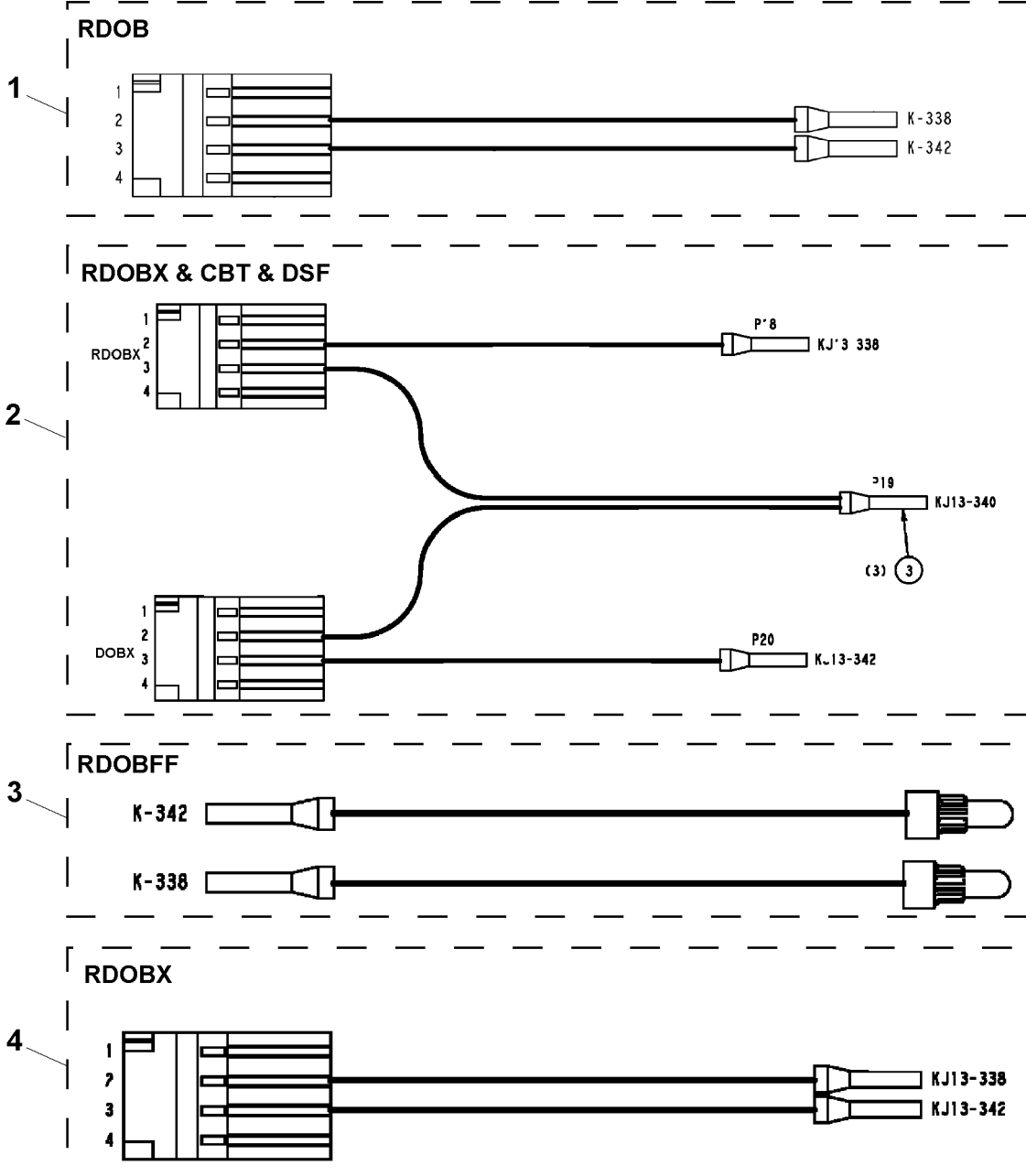
Continued on Next Page



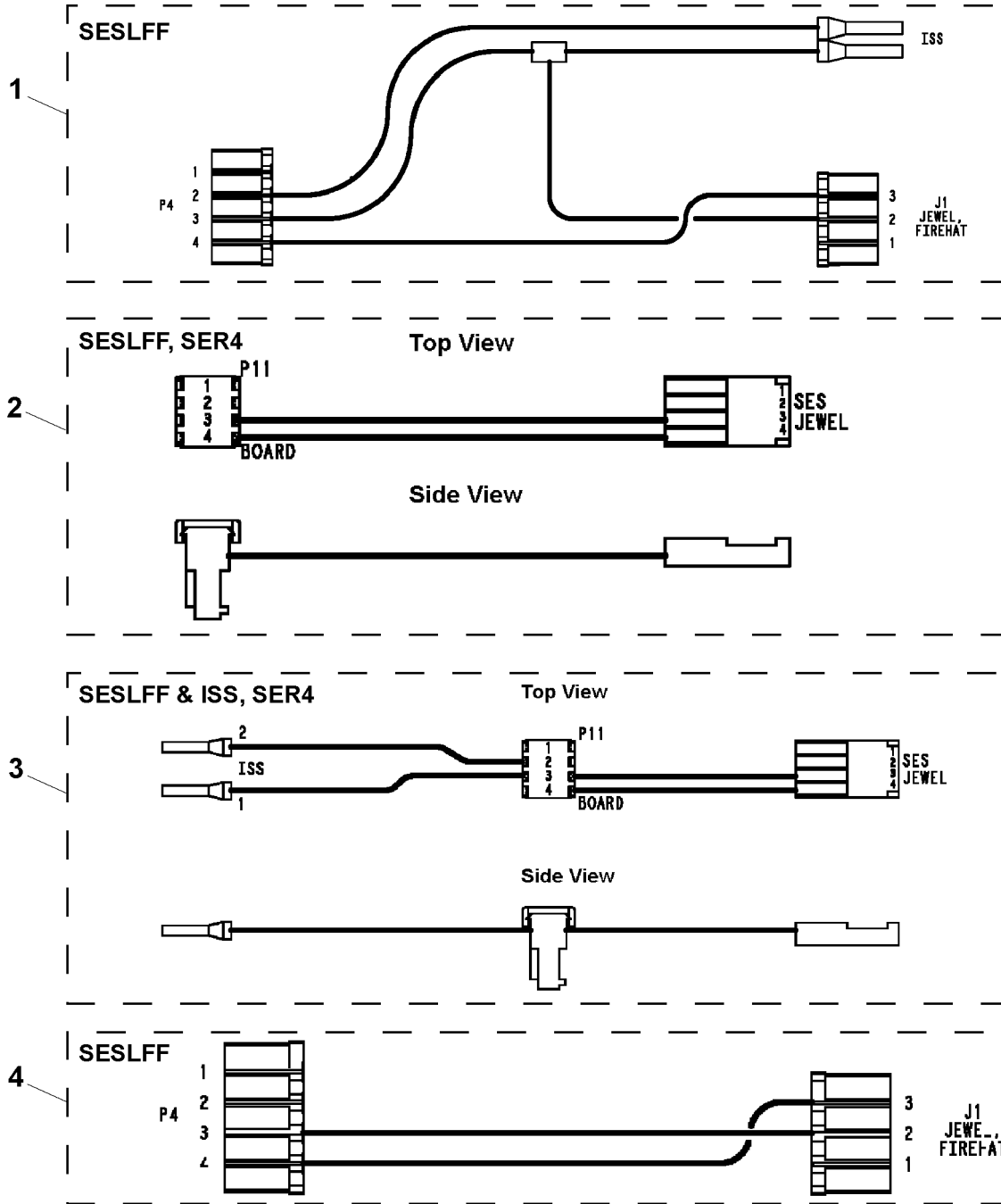
W/O VINTAGE			
REF. No.	PART No.	DESCRIPTION	CONDITIONS
1	AAA174AJB20	Button, Rear Door Close	RDCBFF (SER4)
2	AAA174AJB22	Button, Rear Door Close	RDCB/CBT/RDCBFF (SER4)

31-AAA174AJB

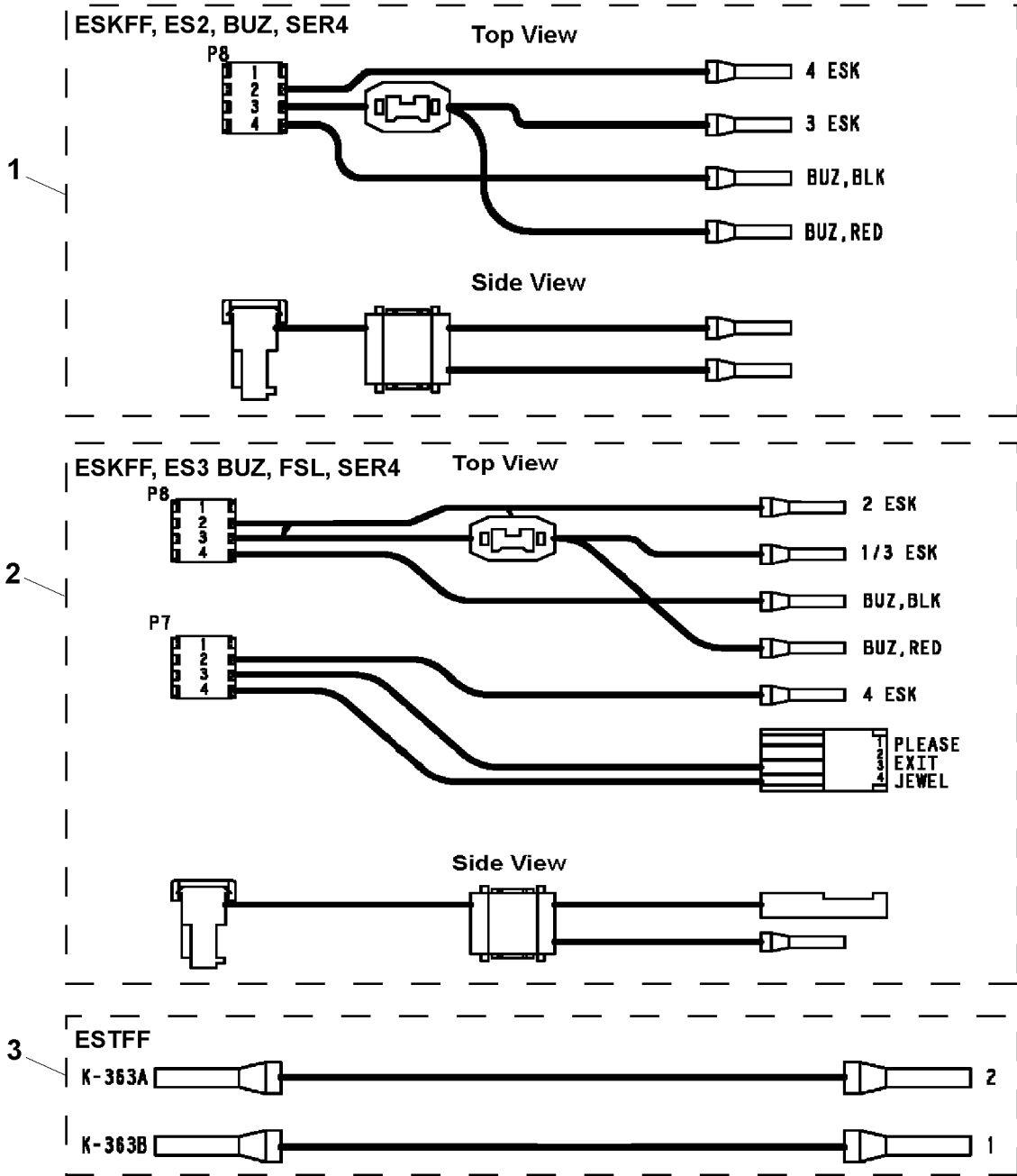
Wiring Harness—Rear Door Open Buttons



W/O VINTAGE			
REF. No.	PART No.	DESCRIPTION	CONDITIONS
1	AAA174AJB3	Button, Rear Door Open	RDOB & DFS
2	AAA174AJB7	Button, Rear Door Open	RDOB +CBT + DFS
3	AAA174AJB10	Button, Rear Door Open	RDOBFF
4	AAA174AJB4	Button, Rear Door Open (aux. COP)	RDOBX & CBT & DFS



W/O VINTAGE			
REF. No.	PART No.	DESCRIPTION	CONDITIONS
1	AAA174AJB17	Jewel	SESLFF & ISS (SER2/SER5)
2	AAA174AJB25	Jewel	SESLFF (SER4)
3	AAA174AJB26	Jewel	SESLFF & ISS (SER4)
4	AAA174AJB14	Jewel, Firehat	SESLFF (SER2/SER5)



W/O VINTAGE			
REF. No.	PART No.	DESCRIPTION	CONDITIONS
1	AAA174AJB27	Keyswitch, Emergency Service	ESKFF, ES2, BUZ (SER4)
2	AAA174AJB28	Keyswitch, Emergency Service	ESKFF, ES3, BUZ, FSL (SER4)
3	AAA174AJB8	Switch, Toggle, Emergency Stop	ESTFF