

Motionless Button

Spare Parts Leaflet

31-AAA23500AAD

September 19, 2005 / Page 1 of 5

Supersedes SPL 31-AAA23500AAD Dated June 1992

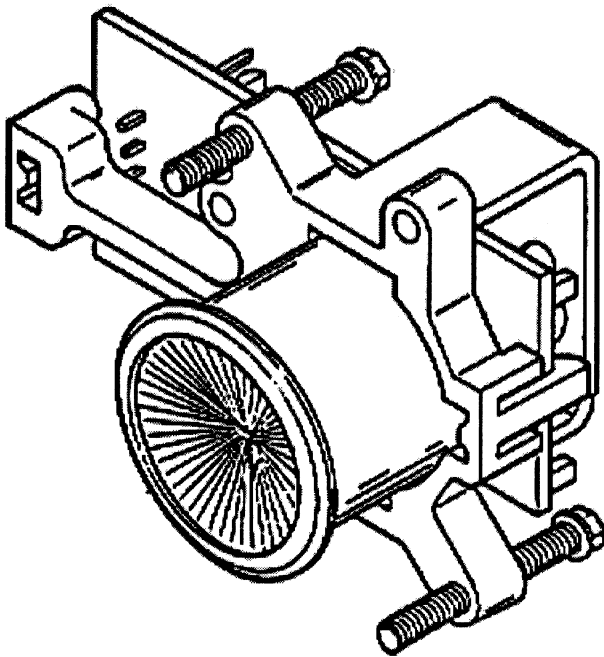


ABB23500AAD001/003
Jack-Screw Clamp-On

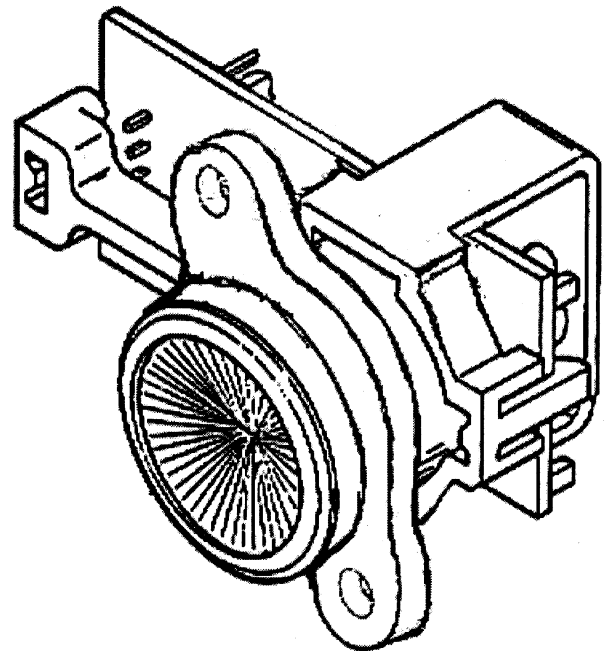


ABB23500AAD005/006
Stud Mounted

Unpublished Work—© Otis Elevator Co.; 2005

OTIS

Safety First!

SERVICE ENGINEERING

Otis Elevator Company

Bloomfield, Connecticut USA

Leaflet Description

This SPL provides detailed component information for motionless button.

Leaflet Revisions

| Date Revised | Subject Matter Expert | Reason for Revision |
|---------------------|------------------------------|---|
| October 1989 | --- | --- |
| June 1992 | --- | --- |
| September 19, 2005 | Joseph D. Zych | Change graphics, add information to pp. 2–3 |

Related Drawings

| Drawing No. | Title | Drawing No. | Title |
|--------------------|----------------------------|--------------------|--------------|
| ABC23500AAD | Motionless Button Assembly | | |
| | | | |

Related Documents

| Document ID | Title |
|--------------------|--------------|
| --- | --- |
| | |

Subject Matter Expert

| Name | Department |
|----------------|---------------------|
| Joseph D. Zych | Service Engineering |

About Spare Parts Leaflets...

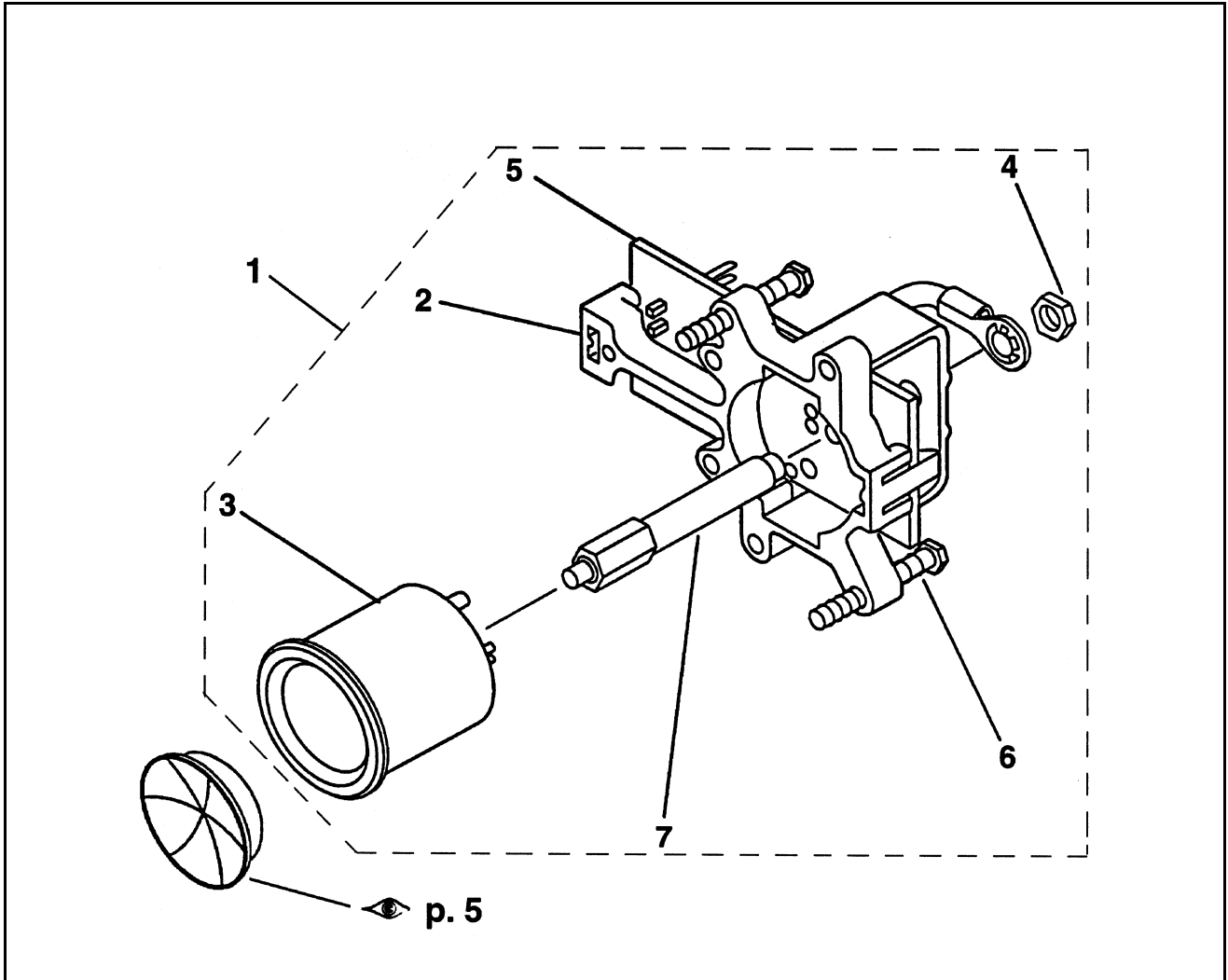
This document lists the lowest replaceable units (LRUs) for the standard version of the product. The LRUs are chosen by a team of Otis associates representing engineering and manufacturing.

While goal of this document is to make parts identification as easy as possible, the document cannot be all-inclusive. Elevator and escalator contracts classified as “special” or “custom” are not addressed here. For such contracts, please refer to specified information, the contract folder, TIPs, Field Education Articles, Construction Letters, etc. for further information.

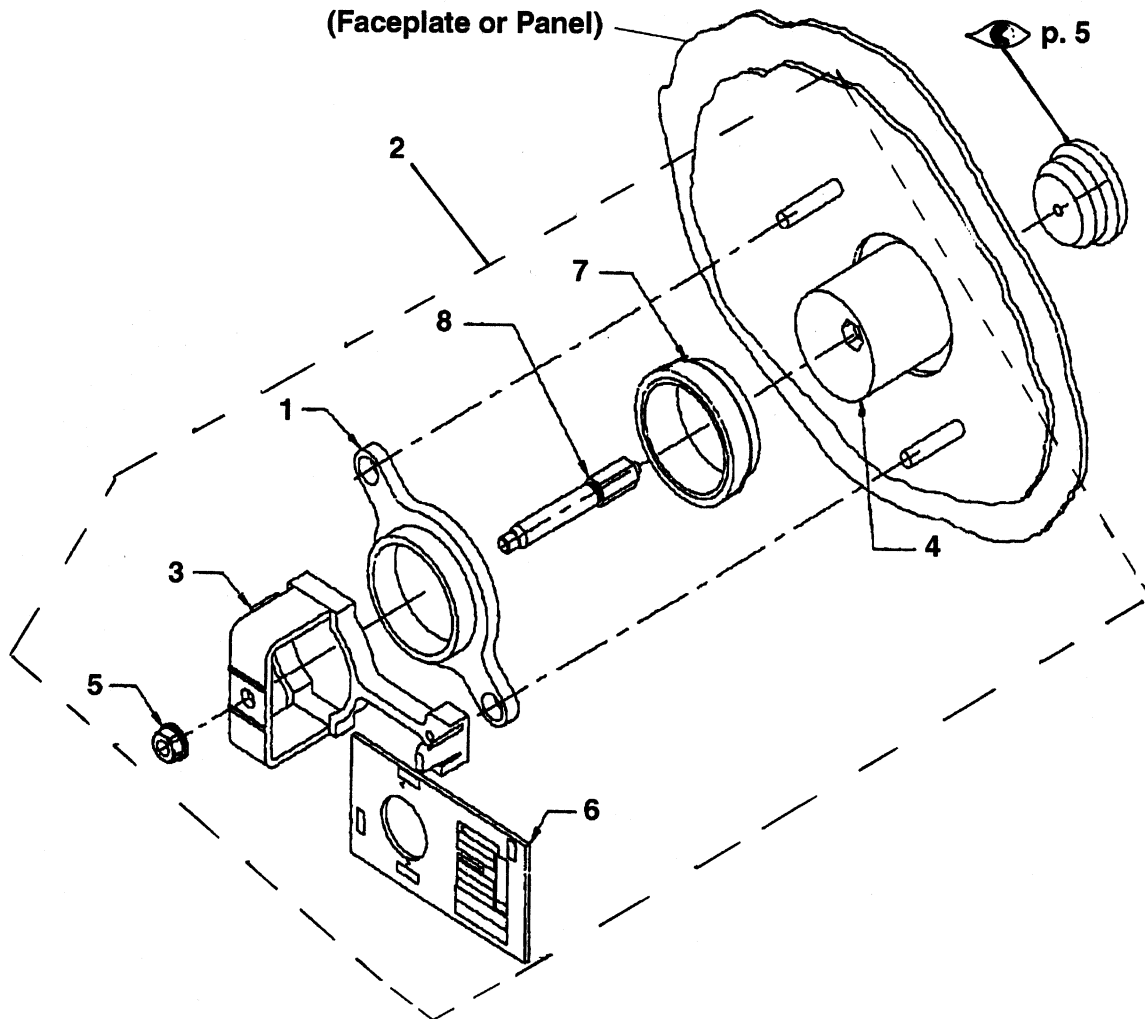
If you have any suggestions about this document, please contact the subject matter expert listed on this page.

Motionless Button

31-AAA23500AAD



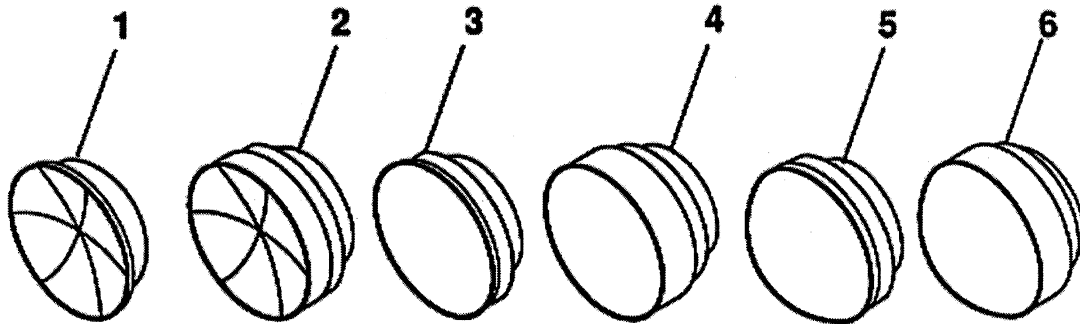
| W/O VINTAGE | | |
|-------------|----------------|--|
| REF. No. | PART No. | DESCRIPTION |
| 1 | ABC23500AAD003 | Assembly, Down Button, Red Illumination w/o Disk |
| | ABC23500AAD001 | Assembly, Up Button, Green Illumination w/o Disk |
| 2 | AAA00180AAB001 | Holder |
| 3 | ACA00625AAD002 | Light Ring, LED, Green |
| | ACA00625AAD001 | Light Ring, LED, Red |
| 4 | DIN934 M4 | Nut, Machine Screw, M4 |
| 5 | ACA26800AAJ001 | PC Board, Motionless Button |
| 6 | 124CY9 | Screw, Pan Head Tapping, qty. 4, 2 x 25 mm |
| 7 | AAA474AB1 | Stem |



| W/O VINTAGE | | |
|-------------|----------------|--|
| REF. No. | PART No. | DESCRIPTION |
| 1 | AAA270BL2 | Adapter, Button |
| 2 | ABC23500AAD005 | Assembly, Button, Green Illumination, w/o Disk |
| | ABC23500AAD006 | Assembly, Button, Red Illumination, w/o Disk |
| 3 | AAA180EP1 | Holder |
| 4 | ACA00625AAD002 | Light Ring, LED, Green |
| | ACA00625AAD001 | Light Ring, LED, Red |
| 5 | DIN934 M4 | Nut, Machine Screw, M4 |
| 6 | ACA26800AAJ001 | PC Board, Motionless Button |
| 7 | AAA465BT2 | Sleeve, Adapter Button |
| 8 | AAA474AB1 | Stem |

Motionless Button

31-AAA23500AAD



| W/O VINTAGE | | |
|-------------|----------------|--|
| REF. No. | PART No. | DESCRIPTION |
| 1 | AAA00353AAB001 | Disk, Concave Face, Bronze, Mirror Fin. |
| | AAA00353AAB013 | Disk, Concave Face, Bronze, Brushed Fin. |
| | AAA00353AAB002 | Disk, Concave Face, Stainless Steel, Mirror Fin. |
| | AAA00353AAB014 | Disk, Concave Face, Stainless Steel, Brushed Fin. |
| 2 | AAA00353AAB003 | Disk, Concave Face, Bronze, Mirror Fin., Calif. Projection |
| | AAA00353AAB015 | Disk, Concave Face, Bronze, Brushed Fin., Calif. Projection |
| | AAA00353AAB004 | Disk, Concave Face, Stainless Steel, Mirror Fin., Calif. Projection |
| | AAA00353AAB016 | Disk, Concave Face, Stainless Steel, Brushed Fin., Calif. Projection |
| 3 | AAA00353AAB005 | Disk, Flat Face, Bronze, Mirror Fin. |
| | AAA00353AAB017 | Disk, Flat Face, Bronze, Brushed Fin. |
| | AAA00353AAB006 | Disk, Flat Face, Stainless Steel, Mirror Fin. |
| | AAA00353AAB018 | Disk, Flat Face, Stainless Steel, Brushed Fin. |
| 4 | AAA00353AAB007 | Disk, Flat Face, Bronze, Mirror Fin., Calif. Projection |
| | AAA00353AAB019 | Disk, Flat Face, Bronze, Brushed Fin., Calif. Projection |
| | AAA00353AAB008 | Disk, Flat Face, Stainless Steel, Mirror Fin., Calif. Projection |
| | AAA00353AAB020 | Disk, Flat Face, Stainless Steel, Brushed Fin., Calif. Projection |
| 5 | AAA00353AAB009 | Disk, Convex Face, Bronze, Mirror Fin. |
| | AAA00353AAB021 | Disk, Convex Face, Bronze, Brushed Fin. |
| | AAA00353AAB010 | Disk, Convex Face, Stainless Steel, Mirror Fin. |
| | AAA00353AAB022 | Disk, Convex Face, Stainless Steel, Brushed Fin. |
| 6 | AAA00353AAB011 | Disk, Convex Face, Bronze, Mirror Fin., Calif. Projection |
| | AAA00353AAB023 | Disk, Convex Face, Bronze, Brushed Fin., Calif. Projection |
| | AAA00353AAB012 | Disk, Convex Face, Stainless Steel, Mirror Fin., Calif. Projection |
| | AAA00353AAB024 | Disk, Convex Face, Stainless Steel, Brushed Fin., Calif. Projection |