

**Luxury Fixture:
Micro-Motion Button
Series 1 & 2**

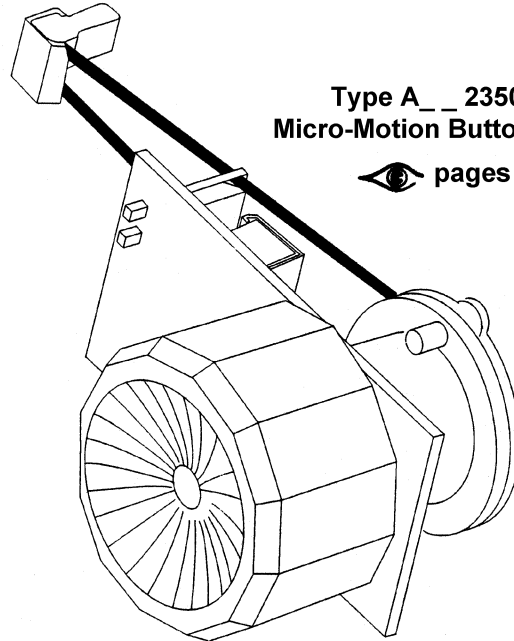
**Spare Parts Leaflet
31-AAA23500AAF**

January 30, 2013 / Page 1 of 18

**W/O
VINTAGE**

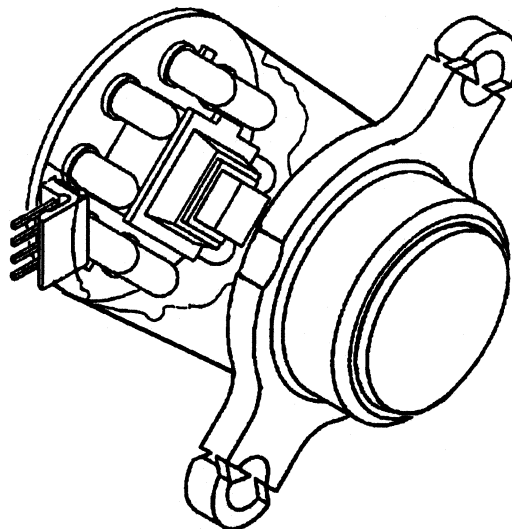
Type A__ 2350AAF
Micro-Motion Button, Series 1

👁️ pages 3-7



Type A__ 23500D
Micro-Motion Button, Series 2

👁️ pages 8-18



Unpublished Work—© Otis Elevator Co.; 2013

OTIS

Safety First!

**SERVICE ENGINEERING
Otis Elevator Company
Bloomfield, Connecticut USA**

Leaflet Description

This leaflet provides spare parts information for micro-motion button assemblies A**23500AAF (series 1) and A**23500D (series 2).

Leaflet Revisions

Date Revised	Subject Matter Expert	Reason for Revision
June 1992	---	---
June 1995	Stephen Karvazy	---
January 20, 2006	Joseph Zych	Re-arranged layout; consolidated pages; corrected typos.
March 20, 2006	Joseph Zych	Added AAD23500D arrangement.
September 30, 2008	Michael Bertini	Corrected illustrations and added an instruction note about target ordering on pages 8-11.
January 30, 2013	Joseph Zych	ABA26800MR & MS parts superseded by ACA versions (p. 11).

Related Drawings

Drawing No.	Title	Drawing No.	Title
AAD23500AAF	Assembly, Micro-Motion Button	AAC23500D	Assembly, Micro-Motion Button II
ABA323DH	Target, Micro-Motion Button II	AAD23500D	Assembly, Micro-Motion Button II

Related Documents

Document ID	Title
SPL 31-AAA25000AAB	Elevonic 411, Car Operating Panel
SPL 32-AAA23500M	Luxury Fixtures, Hall Panel Assembly
TIP 4.1.1-5	Micro Motion II Button
Doc 51718	E411 Micro-Motion Button Assembly & Adjustment Procedure

Subject Matter Expert

Name	Department
Joseph Zych	OSC Service Engineering

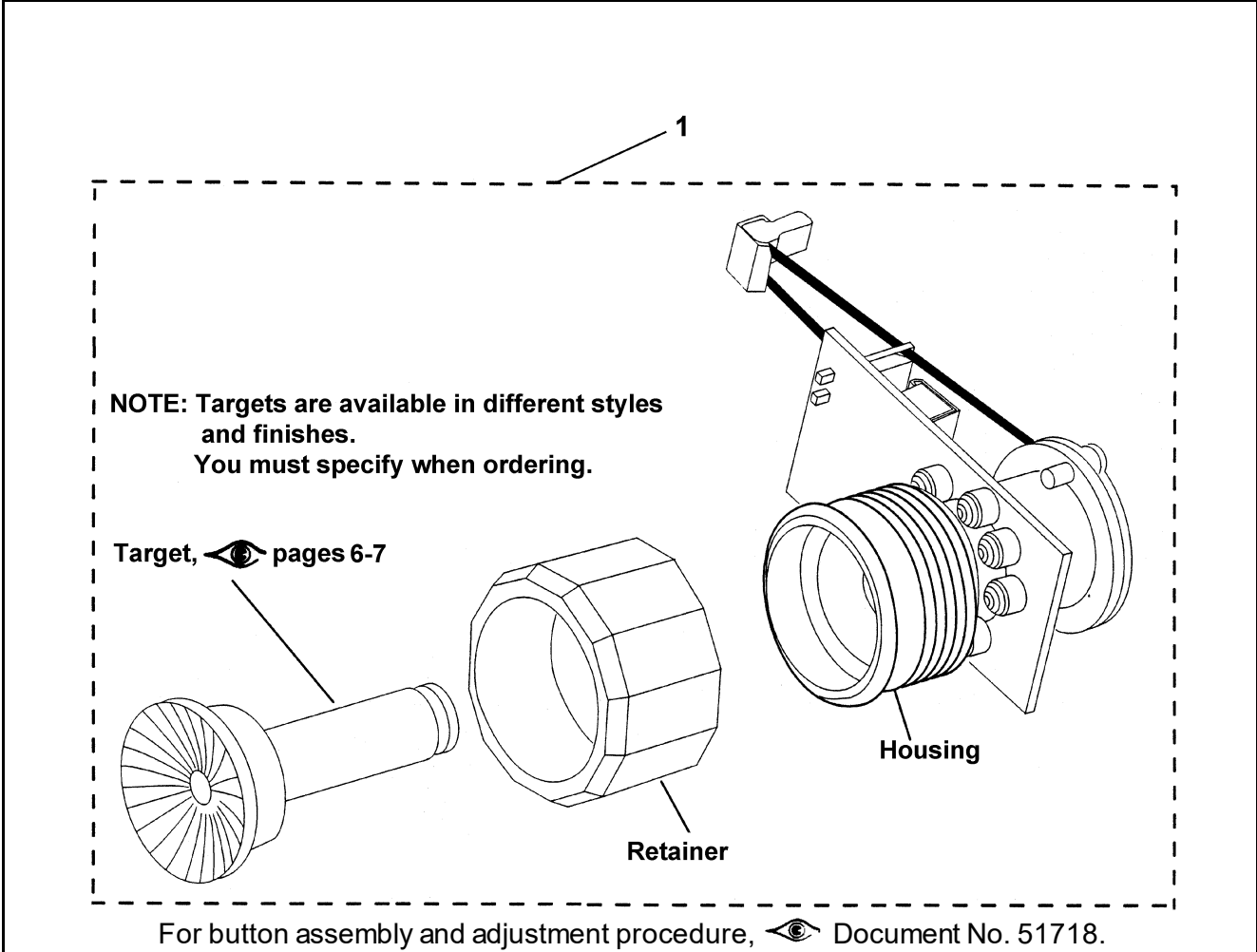
About Spare Parts Leaflets...

This document lists the lowest replaceable units (LRUs) for the standard version of the product. The LRUs are chosen by a team of Otis associates representing engineering and manufacturing.

While goal of this document is to make parts identification as easy as possible, the document cannot be all-inclusive. Elevator and escalator contracts classified as "special" or "custom" are not addressed here. For such contracts, please refer to specified information, the contract folder, TIPs, Field Education Articles, Construction Letters, etc. for further information.

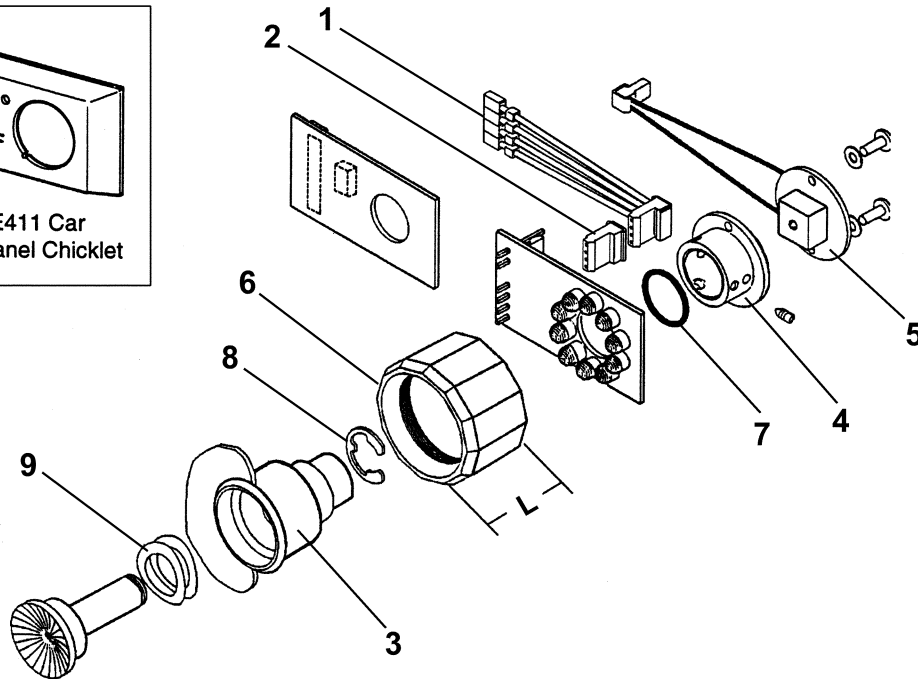
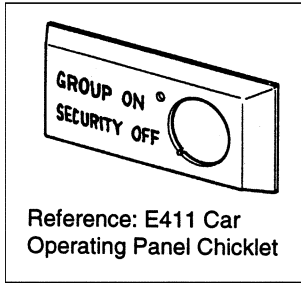
If you have any suggestions about this document, please contact the subject matter expert listed on this page.

Button Assembly



W/O VINTAGE			
REF. No.	PART No.	DESCRIPTION	HOUSING COLOR
1	AAD23500AAF005	Button, Car Floor/Hall Down, with Green LED	Clear
	AAD23500AAF001	Button, Car Floor/Hall Down, with Red LED	Clear
	AAD23500AAF015	Button, Car-Call Cancel, w/o LED	Red
	AAD23500AAF022	Button, Emergency Call, w/o LED	Clear
	AAD23500AAF017	Button, Emergency Call, w/o LED, 12 V	Yellow
	AAD23500AAF021	Button, Emergency Call, w/o LED, 6 V	Yellow
	AAD23500AAF013	Button, Front & Rear Open/Close ,w/o LED	White
	AAD23500AAF019	Button, Non-Stop, w/o LED	Clear

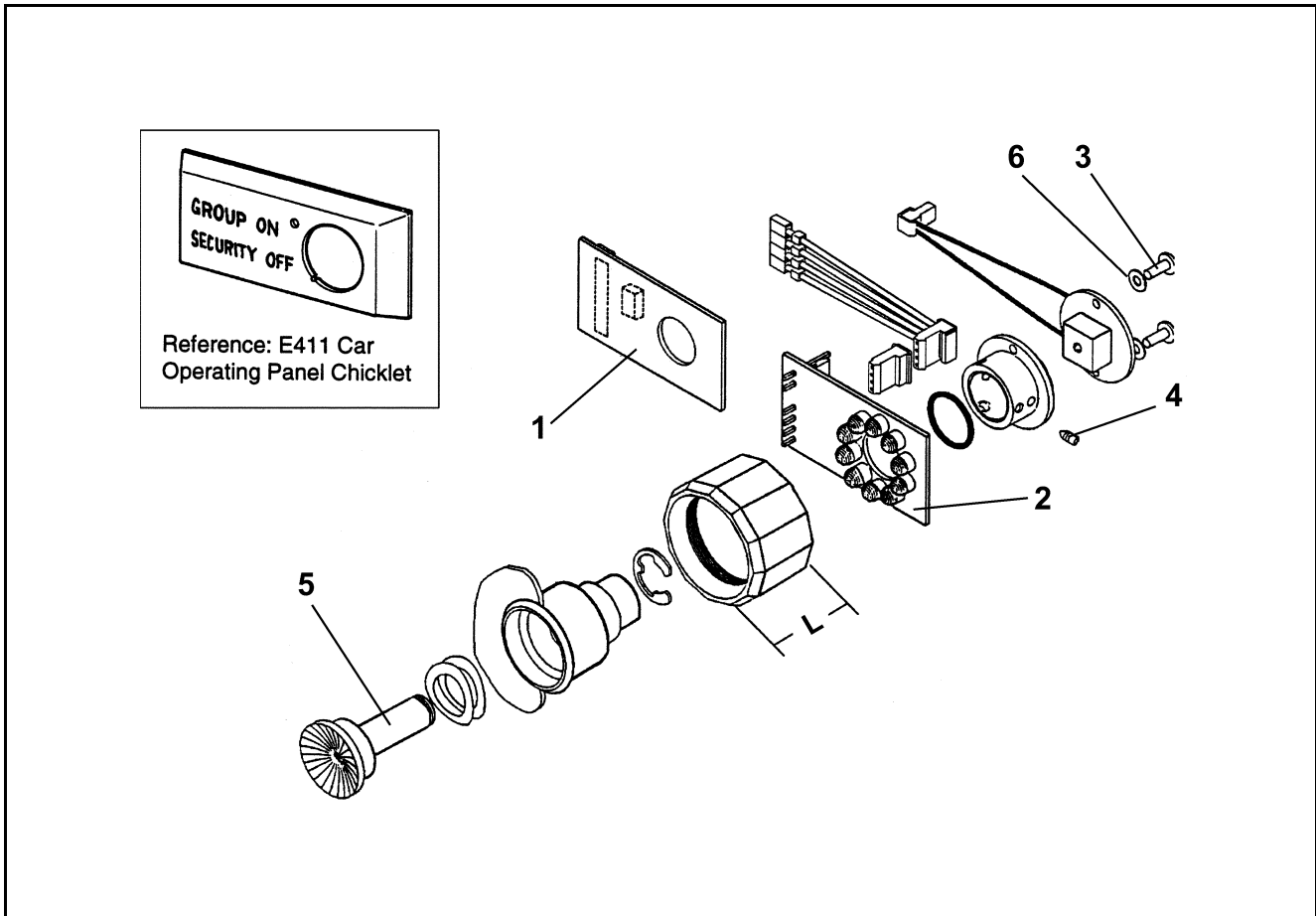
**AA*23500AAF (Series 1)
Button Assembly Components**



REF. No.	W/O VINTAGE PART No.	DESCRIPTION
1	AAA00174AAL011	Cable (w/hall button only), E411 Application
	AAA00174AAL012	Cable (w/hall button only), E401M, E311M/E411M Application
2	176EB12 176EE15	Connector (for use in COP only), Strain Relief
3	ABA396AAJ1	Housing, w/Bushing, Clear
	ABA396AAJ2	Housing, w/Bushing, White
	ABA396AAJ3	Housing, w/Bushing, Yellow
	ABA396AAJ4	Housing, w/Bushing, Red
4	AAA336AAB1	Housing, Switch
5	ABA26800ABH001	Module, Switch
6	AAA166AAC1	Retainer, L = 21 mm (for use w/o chicklet & w/o rear mounting adaptors)
	AAA166AAC2	Retainer, L= 16.5 mm (for use w/chicklet mounting)
	AAA166AAC3	Retainer, L = 12 mm (for use w/adaptors for rear mounting)
7	AAA172AAA1	Ring, "O"
8	172DR13	Ring, Retaining
9	AAA131AAB1	Washer, Curved

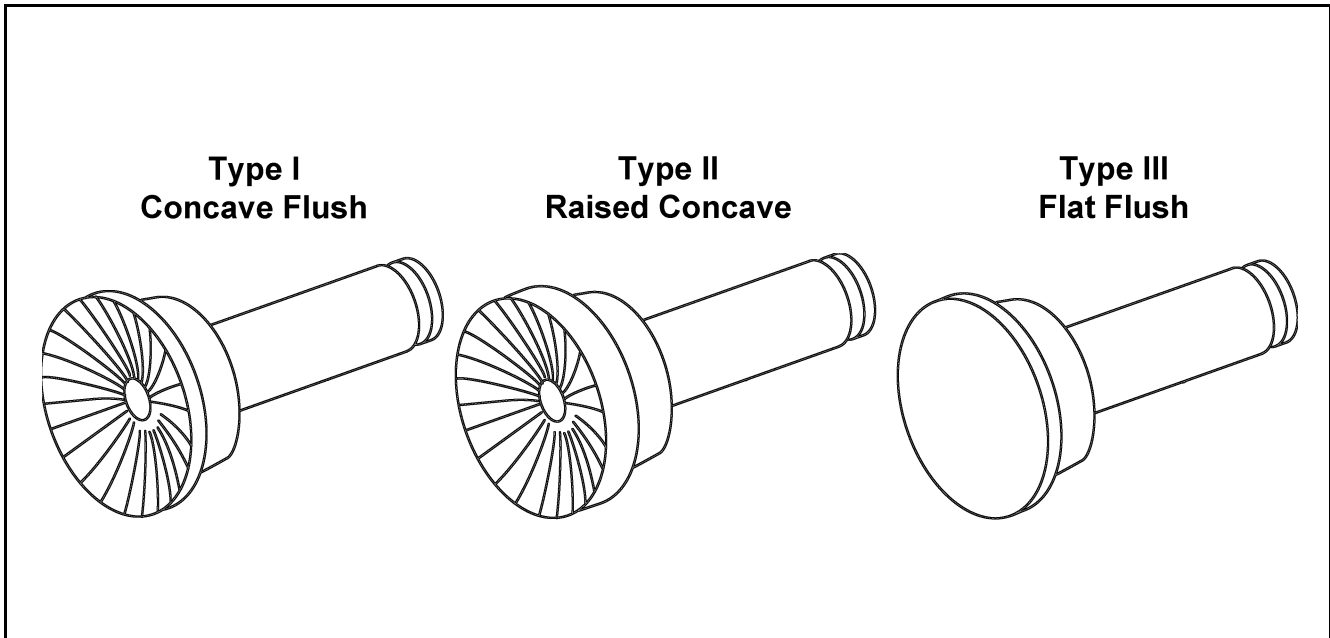
(Continued on next page)

Button Assembly Components



W/O VINTAGE			
REF. No.	PART No.	DESCRIPTION	APPLICATION
1	ACA26800ABF001	PCB, w/12 V Relay, (emergency call button)	---
	ACA26800ABF002	PCB, w/6 V Relay, (emergency call button)	
2	ABA26800ABG006	PCB, Green LED	E401M, E311M/E411M
	ABA26800ABG005	PCB, Red LED	
	ABA26800ABG009	PCB, Red Sunlight LED	
	ABA26800ABG007	PCB, Yellow LED	
	ABA26800ABG002	PCB, Green LED	E411
	ABA26800ABG001	PCB, Red LED	
	ABA26800ABG008	PCB, Red Sunlight LED	
	ABA26800ABG003	PCB, Yellow LED	
	ABA26800ABG004	PCB, w/o LED	
3	DIN7985A M3X6	Screw, Pan Head, M3 x 6	
4	AAA124EJ1	Screw, Set (Nylon Tipped)	
5	---	Target, Type AAA323AAC, Parts Listing on Pages 6-7	
6	DIN125 M3	Washer, Flat, M3	

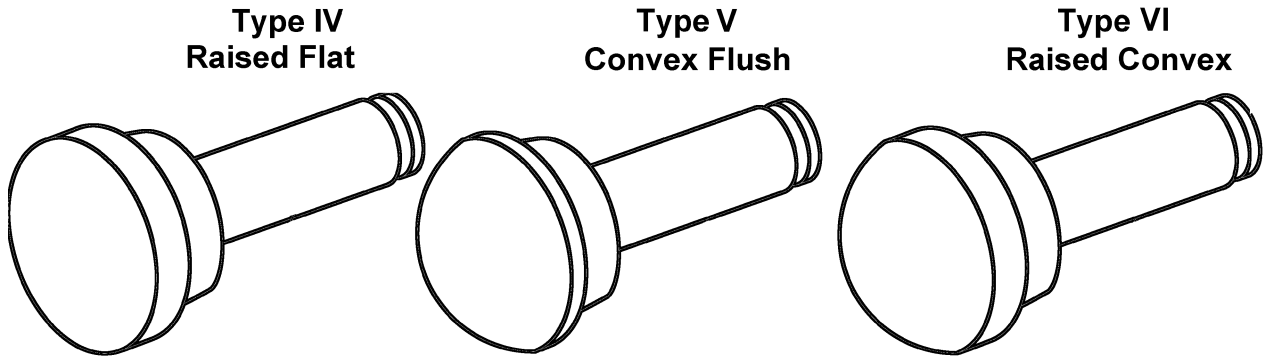
**Type I to Type III
Targets: Series 1**



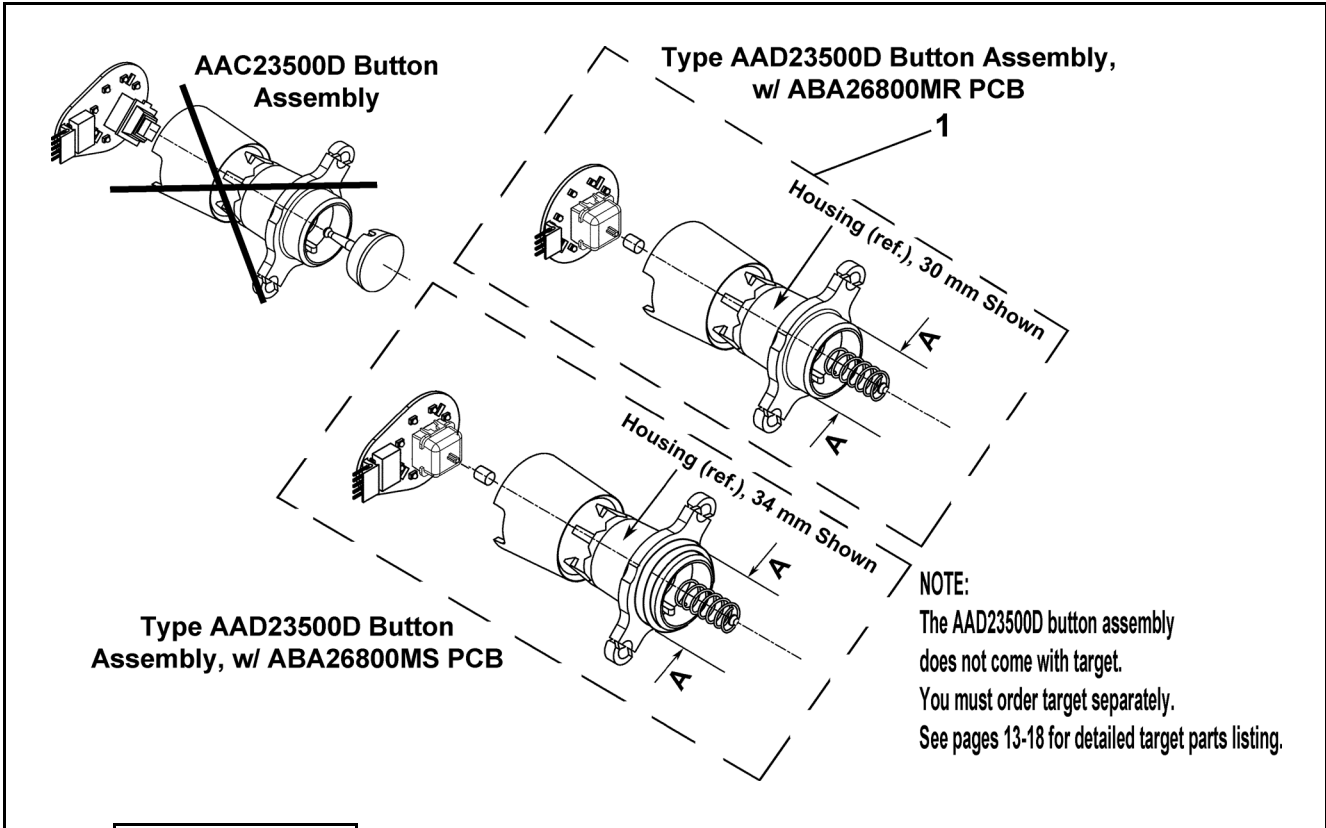
	W/O VINTAGE	
TYPE	PART No.	DESCRIPTION
I	AAA323AAC14	Concave Face, Bronze, Brushed Finish
	AAA323AAC2	Concave Face, Bronze, Mirror Finish
	AAA323AAC31	Concave Face, Epoxy Coated Bronze, Brushed Finish
	AAA323AAC25	Concave Face, Epoxy Coated Bronze, Mirror Finish
	AAA323AAC13	Concave Face, Stainless Steel, Brushed Finish
	AAA323AAC1	Concave Face, Stainless Steel, Mirror Finish
II	AAA323AAC16	Concave Face, Bronze, Brushed Finish, Calif. Projection
	AAA323AAC4	Concave Face, Bronze, Mirror Finish, Calif. Projection
	AAA323AAC32	Concave Face, Epoxy Coated Bronze, Brushed Finish, Calif. Projection
	AAA323AAC26	Concave Face, Epoxy Coated Bronze, Mirror Finish, Calif. Projection
	AAA323AAC3	Concave Face, Stainless Steel, Mirror Finish, Calif. Projection
	AAA323AAC15	Concave Face, Stainless Steel, Brushed Finish, Calif. Projection
III	AAA323AAC18	Flat Face, Bronze, Brushed Finish
	AAA323AAC6	Flat Face, Bronze, Mirror Finish
	AAA323AAC33	Flat Face, Epoxy Coated Bronze, Brushed Finish
	AAA323AAC27	Flat Face, Epoxy Coated Bronze, Mirror Finish
	AAA323AAC17	Flat Face, Stainless Steel, Brushed Finish
	AAA323AAC5	Flat Face, Stainless Steel, Mirror Finish

Type IV to Type VI Targets: Series 1

31-AAA23500AAF

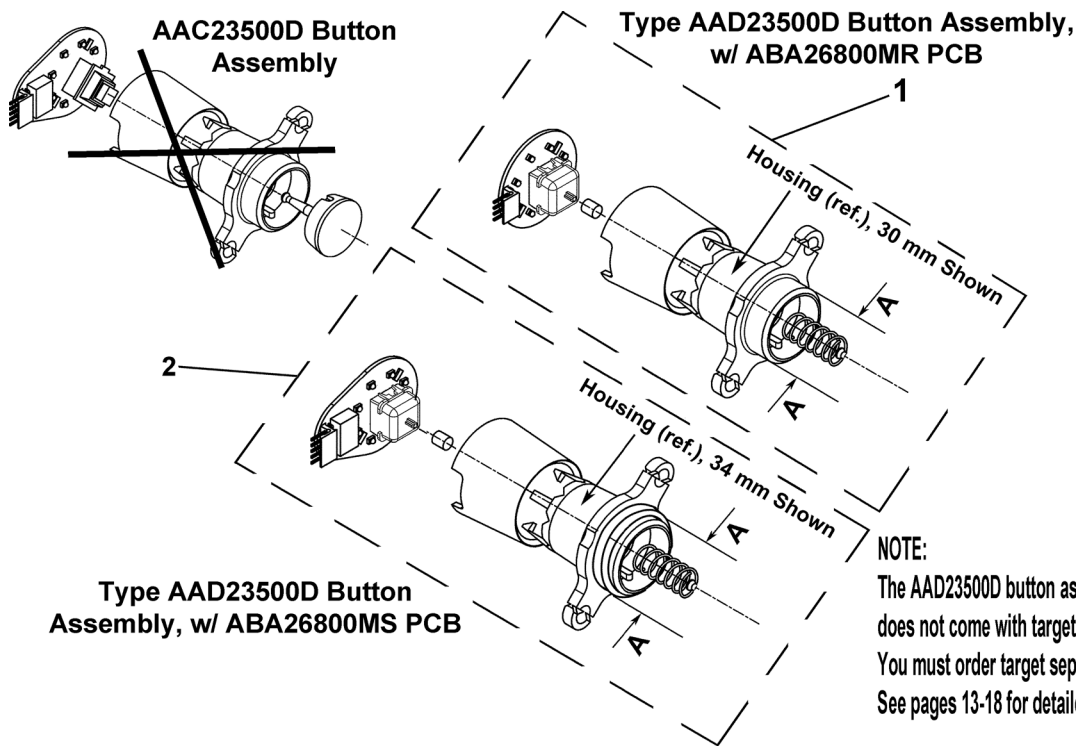


	W/O VINTAGE	
TYPE	PART No.	DESCRIPTION
IV	AAA323AAC20	Flat Face, Bronze, Brushed Finish, Calif. Projection
	AAA323AAC8	Flat Face, Bronze, Mirror Finish, Calif. Projection
	AAA323AAC34	Flat Face, Epoxy Coated Bronze, Brushed Finish, Calif. Projection
	AAA323AAC28	Flat Face, Epoxy Coated Bronze, Mirror Finish, Calif. Projection
	AAA323AAC19	Flat Face, Stainless Steel, Brushed Finish, Calif. Projection
	AAA323AAC7	Flat Face, Stainless Steel, Mirror Finish, Calif. Projection
V	AAA323AAC22	Convex Face, Bronze, Brushed Finish
	AAA323AAC10	Convex Face, Bronze, Mirror Finish
	AAA323AAC35	Convex Face, Epoxy Coated Bronze, Brushed Finish
	AAA323AAC29	Convex Face, Epoxy Coated Bronze, Mirror Finish
	AAA323AAC21	Convex Face, Stainless Steel, Brushed Finish
	AAA323AAC9	Convex Face, Stainless Steel, Mirror Finish
VI	AAA323AAC24	Convex Face, Bronze, Brushed Finish, Calif. Projection
	AAA323AAC12	Convex Face, Bronze, Mirror Finish, Calif. Projection
	AAA323AAC36	Convex Face, Epoxy Coated Bronze, Brushed Finish, Calif. Projection
	AAA323AAC30	Convex Face, Epoxy Coated Bronze, Mirror Finish, Calif. Projection
	AAA323AAC23	Convex Face, Stainless Steel, Brushed Finish, Calif. Projection
	AAA323AAC11	Convex Face, Stainless Steel, Mirror Finish, Calif. Projection



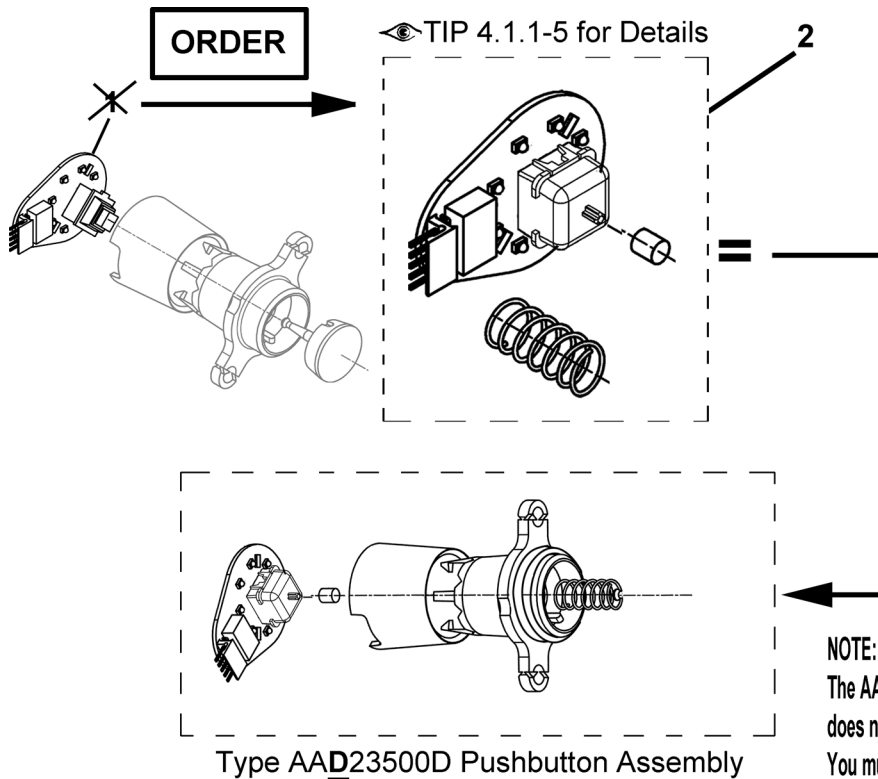
W/O VINTAGE			
REF. No.	PART No.	DESCRIPTION	DIMENSION (A)
1	AAC23500D3 AAD23500D3	Button Assembly, w/Amber LED and Clear Housing	OD = 30 mm
	AAC23500D44 AAD23500D11	Button Assembly, w/Amber LED and Clear Housing	OD = 34 mm
	AAC23500D2 AAD23500D2	Button Assembly, w/Green LED and Clear Housing	OD = 30 mm
	AAC23500D40 AAD23500D10	Button Assembly, w/Green LED and Clear Housing	OD = 34 mm
	AAC23500D4 AAD23500D1	Button Assembly, w/Red LED and Clear Housing	OD = 30 mm
	AAC23500D9 AAD23500D9	Button Assembly, w/Red LED and Clear Housing	OD = 34 mm
	AAC23500D4 AAD23500D4	Button Assembly, Non-Illuminating and Clear Housing (for	OD = 30 mm
	AAC23500D12 AAD23500D12	NAA Door Open, Door Close, Call Cancel and Non-NAA Non-Stop buttons)	OD = 34 mm
	AAC23500D7 AAD23500D7	Button Assembly, Non-Illuminating and Red Housing (for Call Cancel button)	OD = 30 mm
	AAC23500D45 AAD23500D15		OD = 34 mm
	AAC23500D6 AAD23500D6	Button Assembly, Non-Illuminating and White Housing (for Non-NAA Door Open, Door Close buttons)	OD = 30 mm
	AAC23500D44 AAD23500D14		OD = 34 mm

(Continued on next page)



W/O VINTAGE			
REF. No.	PART No.	DESCRIPTION	DIMENSION (A)
1	AAC23500D19 AAD23500D19	Button Assembly, w/Amber LED and Clear Housing (for 3-Wire Systems)	OD = 30 mm
	AAC23500D18 AAD23500D18	Button Assembly, w/Green LED and Clear Housing (for 3-Wire Systems)	
	AAC23500D17 AAD23500D17	Button Assembly, w/Red LED and Clear Housing (for 3-Wire Systems)	
2	AAC23500D20 AAD23500D20	Button Assembly, w/Red LED and Clear Housing, 6 V (for 3-Wire Systems)	OD = 34 mm
	AAC23500D5 AAD23500D5	Button Assembly, w/Red LED and Clear Housing, 12 V (for NAA Alarm button)	
	AAC23500D13 AAD23500D13	Button Assembly, w/Red LED and Clear Housing, 12 V (for NAA Alarm button)	OD = 34 mm
	AAC23500D8 AAD23500D8	Button Assembly, Non-Illuminating, w/Yellow Housing, 12 V, (for Non-NAA Alarm button)	OD = 30 mm
	AAC23500D16 AAD23500D16		OD = 34 mm

Upgrade AAC23500D to AAD23500D Pushbuttons



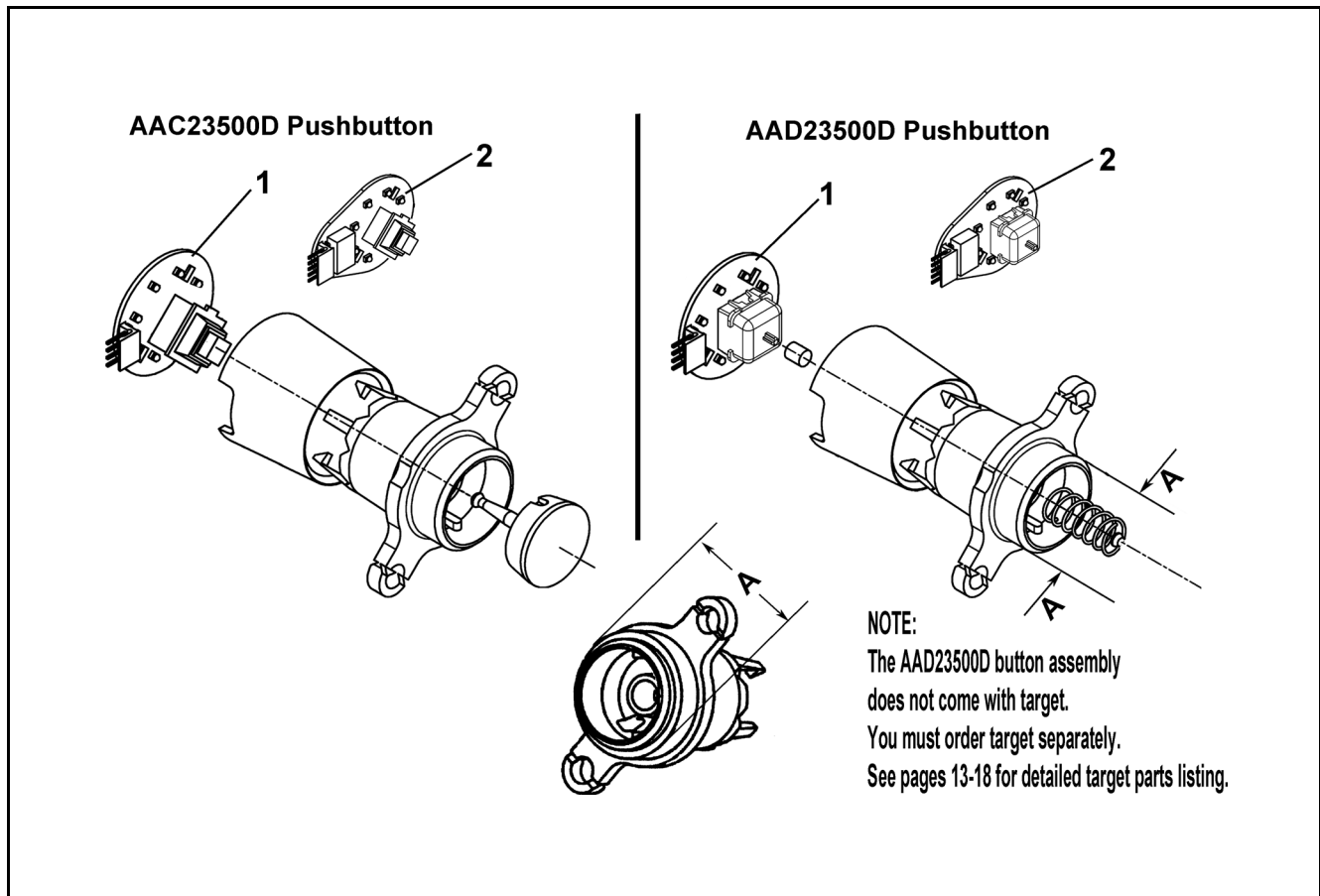
NOTE:
 The AAD23500D button assembly does not come with target.
 You must order target separately.
 See pages 13-18 for detailed target parts listing.

REF. No.1	REF. No. 2	
AAC23500D	AAD23500D	
PART No.	PART No.	Kit w/Spring, Spacer, & New PC Board to Make P/N:
AAA26800MR1	AAA27076CC1	AAD23500D1 and AAD23500D9
AAA26800MR2	AAA27076CC2	AAD23500D2 and AAD23500D10
AAA26800MR3	AAA27076CC3	AAD23500D3 and AAD23500D11
AAA26800MR4	AAA27076CC4	AAD23500D4, AAD23500D6, AAD23500D7, AAD23500D12, AAD23500D14, and AAD23500D15
AAA26800MR5	AAA27076CC5	AAD23500D17
AAA26800MR6	AAA27076CC6	AAD23500D18
AAA26800MR7	AAA27076CC7	AAD23500D19
AAA26800MS1	AAA27076CD1	AAD23500D5, AAD23500D8, AAD23500D13, and AAD23500D16
AAA26800MS2	AAA27076CD2	AAD23500D20

NOTE: See pages 8- 9 for full pushbutton assembly descriptions.

Micro-Motion II Pushbuttons: PC Boards

31-AAA23500AAF

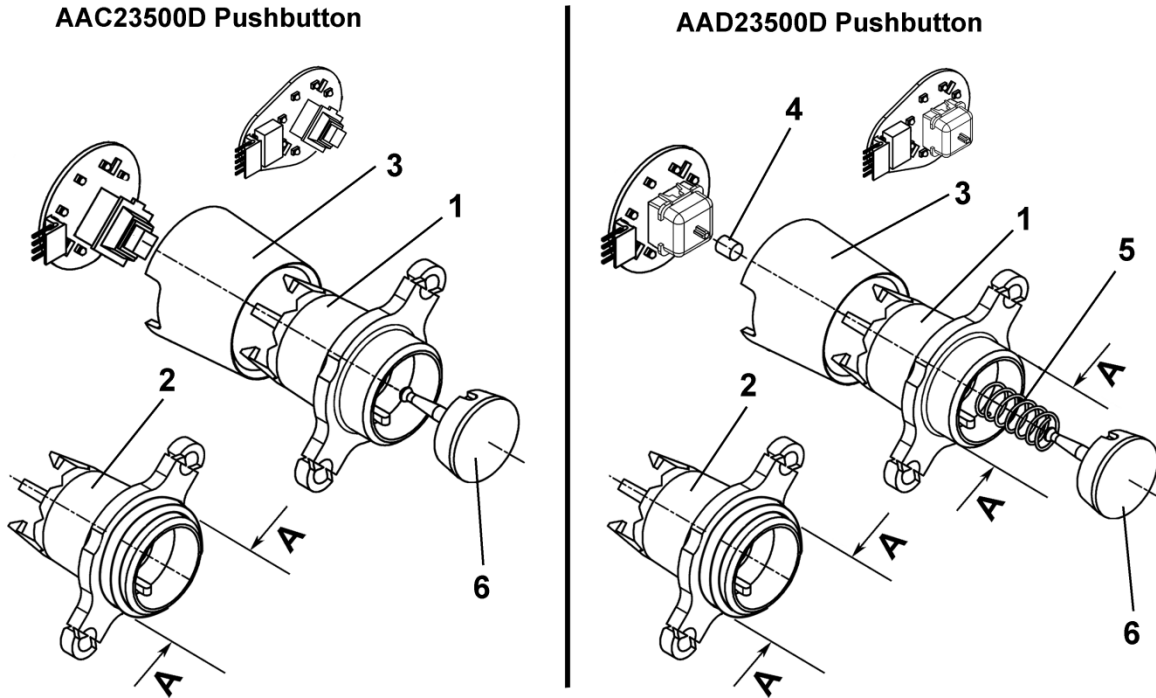


REF. No.	AAC23500D		AAD23500D		DESCRIPTION
	PART No.	PART No.	PART No.	PART No.	
1	AAA26800MR1	ABA26800MR1	ACA26800MR1		PC Board w/Red LED
	AAA26800MR5	ABA26800MR5	ACA26800MR5		PC Board w/Red LED, Used w/3-Wire Systems (R1, R2, Q1)
	AAA26800MR3	ABA26800MR3	ACA26800MR3		PC Board, w/Amber LED
	AAA26800MR7	ABA26800MR7	ACA26800MR7		PC Board, w/Amber LED, Used w/3-Wire Systems (R1, R2, Q1)
	AAA26800MR2	ABA26800MR2	ACA26800MR2		PC Board, w/Green LED
	AAA26800MR6	ABA26800MR6	ACA26800MR6		PC Board, w/Green LED, Used w/3-Wire Systems (R1, R2, Q1)
	AAA26800MR4	ABA26800MR4	ACA26800MR4		PC Board, w/o LED
2	AAA26800MS2	ABA26800MS2	ACA26800MS2		PC Board, Alarm, 6 V, Used w/3-Wire Systems
	AAA26800MS4	ABA26800MS4	ACA26800MS1		PC Board, Alarm, 12 V

NOTE: For strikethrough parts listed in AAC23500D vintage, you must upgrade them to AAD23500D vintage pushbutton assembly (see pages 8-10 for details).

(Continued on next page)

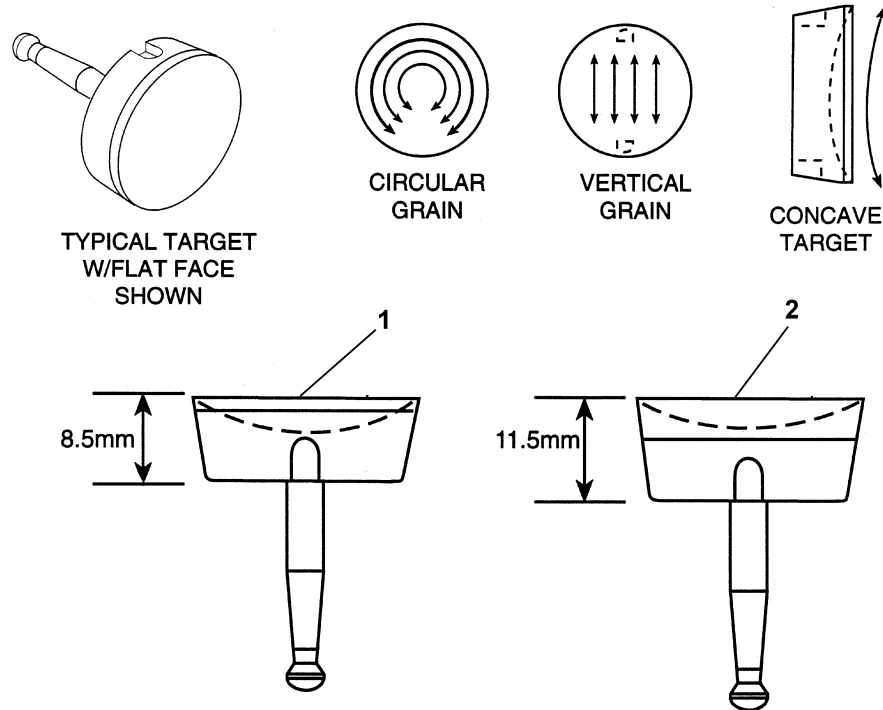
Micro-Motion II Pushbuttons: Housing, Spacer, & Spring



	AAC23500D	AAD23500D		
REF. No.	PART No.	PART No.	DESCRIPTION	DIMENSION A
1	ABA396MR1		Housing, Clear	OD = 30 mm
	ABA396MR4		Housing, Red	
	ABA396MR3		Housing, Yellow	
	ABA396MR2		Housing, White	
2	ABA396MR5		Housing, Clear	OD = 34 mm
	ABA396MR8		Housing, Red	
	ABA396MR7		Housing, Yellow	
	ABA396MR6		Housing, White	
3	ABA278DP1		Shield, Light	
4	---	AAA462AY1	Spacer	
5	---	90FE2	Spring	
6	---	---	Target, Type ABA323DH, Parts Listing on Pages 13 through 18	

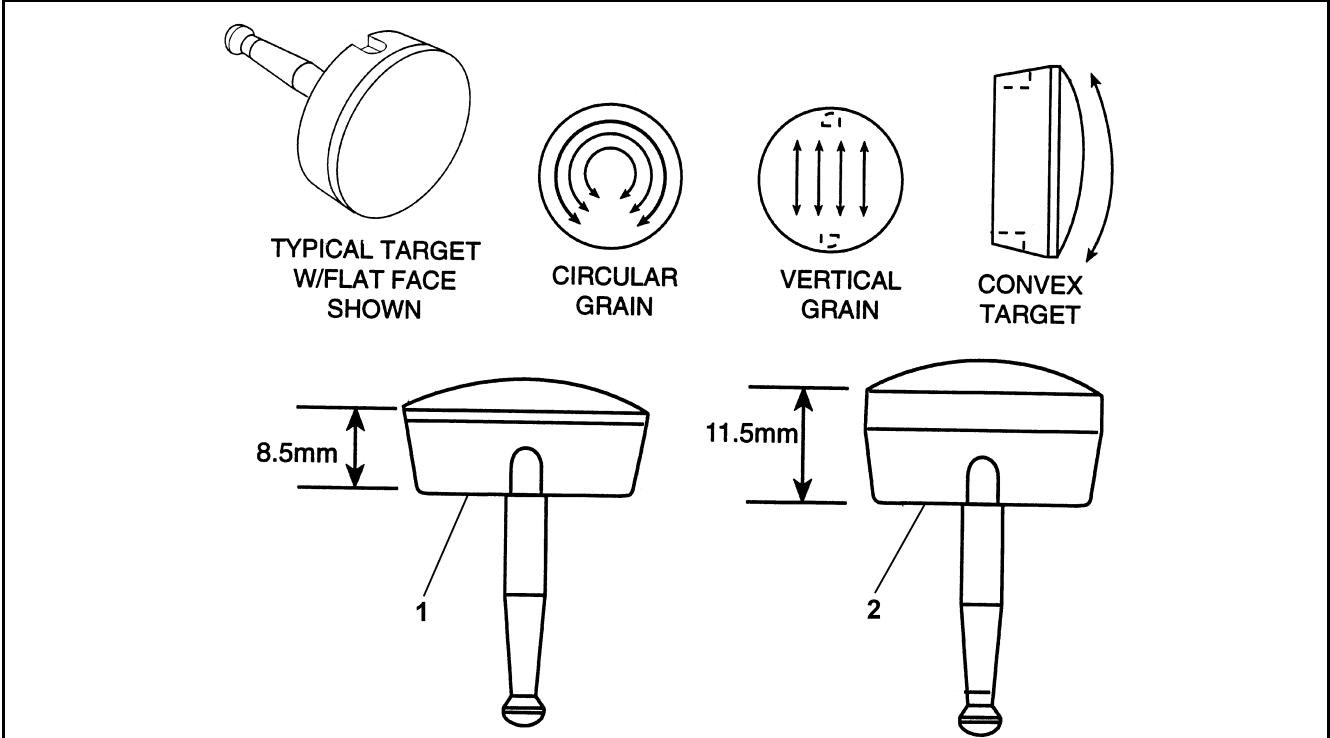
8.5 & 11.5 mm Target w/o Engravings, Series 2

31-AAA23500AAF



W/O VINTAGE				
REF. No.	PART No.	FINISH	FINISH GRAIN	MATERIAL
1	ABA323DH73	Brushed	Circular	Epoxy Coated Naval Bronze
	ABA323DH74	Mirror	Vertical	
	ABA323DH1	Brushed	Circular	Naval Bronze
	ABA323DH2	Brushed	Vertical	
	ABA323DH3	Mirror	---	
	ABA323DH4	Brushed	Circular	Stainless Steel
	ABA323DH5	Brushed	Vertical	
	ABA323DH6	Mirror	---	
2	ABA323DH75	Brushed	Circular	Epoxy Coated Naval Bronze
	ABA323DH76	Mirror	---	
	ABA323DH7	Brushed	Circular	Naval Bronze
	ABA323DH8	Brushed	Vertical	
	ABA323DH9	Mirror	---	
	ABA323DH10	Brushed	Circular	Stainless Steel
	ABA323DH11	Brushed	Vertical	
	ABA323DH12	Mirror	---	

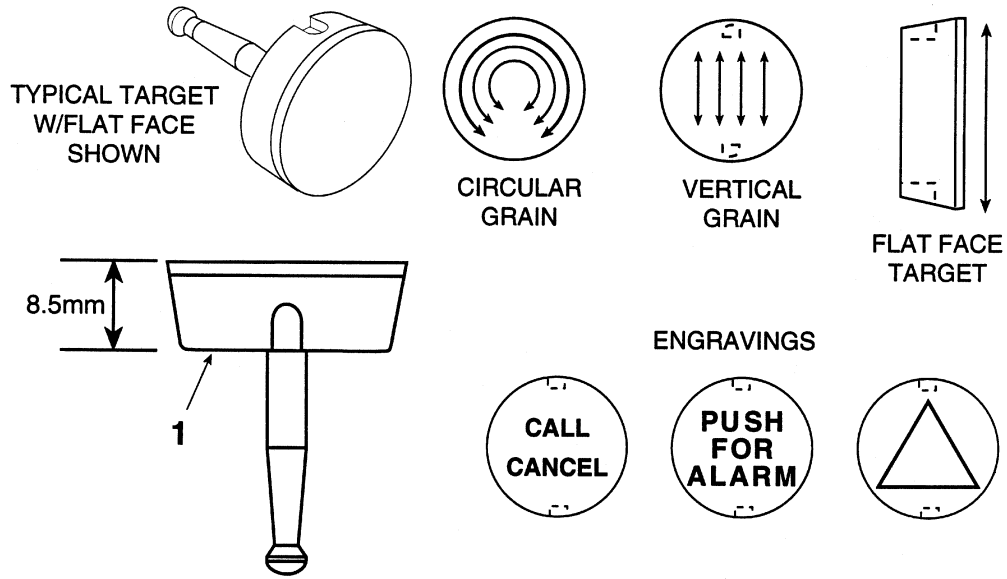
**8.5 & 11.5mm Target
w/o Engravings, Series 2**



W/O VINTAGE				
REF. No.	PART No.	FINISH	FINISH GRAIN	MATERIAL
1	ABA323DH83	Brushed	Circular	Epoxy Coated Naval Bronze
	ABA323DH84	Mirror	---	
	ABA323DH25	Brushed	Circular	Naval Bronze
	ABA323DH26	Brushed	Vertical	
	ABA323DH27	Mirror	---	
	ABA323DH28	Brushed	Circular	Stainless Steel
	ABA323DH29	Brushed	Vertical	
	ABA323DH30	Mirror	---	
2	ABA323DH85	Brushed	Circular	Epoxy Coated Naval Bronze
	ABA323DH86	Mirror	---	
	ABA323DH31	Brushed	Circular	Naval Bronze
	ABA323DH32	Brushed	Vertical	
	ABA323DH33	Mirror	---	
	ABA323DH34	Brushed	Circular	Stainless Steel
	ABA323DH35	Brushed	Vertical	
	ABA323DH36	Mirror	---	

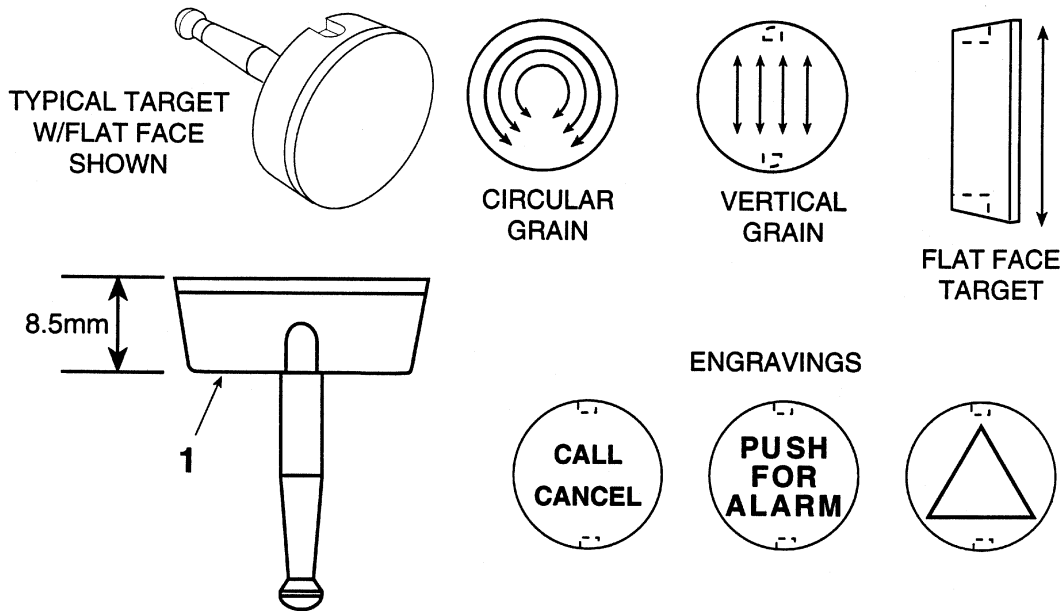
8.5 Target, Series 2

31-AAA23500AAF



W/O VINTAGE					
REF. No.	PART No.	FINISH	FINISH GRAIN	ENGRAVING	MATERIAL
1	ABA323DH13	Brushed	Circular	---	Naval Bronze
	ABA323DH14	Brushed	Vertical		
	ABA323DH15	Mirror	---		
	ABA323DH16	Brushed	Circular		
	ABA323DH17	Brushed	Vertical		
	ABA323DH18	Mirror	---		
	ABA323DH37	Brushed	Circular	CALL CANCEL	Naval Bronze
	ABA323DH38	Brushed	Vertical		
	ABA323DH39	Mirror	---		
	ABA323DH40	Brushed	Circular		
	ABA323DH41	Brushed	Vertical		
	ABA323DH42	Mirror	---		
	ABA323DH49	Brushed	Circular	PUSH FOR ALARM	Naval Bronze
	ABA323DH50	Brushed	Vertical		
	ABA323DH51	Mirror	---		
	ABA323DH52	Brushed	Circular		
	ABA323DH53	Brushed	Vertical		
	ABA323DH54	Mirror	---		
	ABA323DH61	Brushed	Circular	ARROW	Naval Bronze
	ABA323DH62	Brushed	Vertical		
	ABA323DH63	Mirror	---		
	ABA323DH64	Brushed	Circular		
	ABA323DH65	Brushed	Vertical		
	ABA323DH66	Mirror	---		

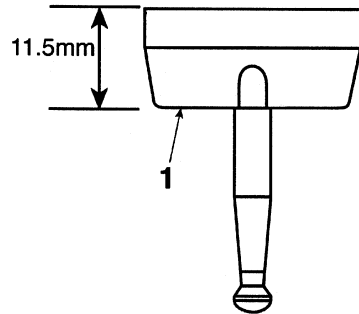
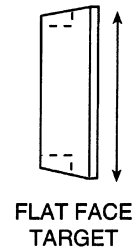
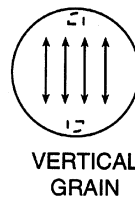
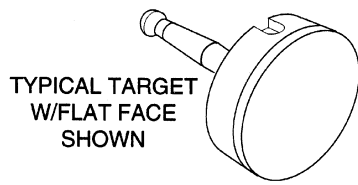
(Continued on next page)



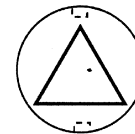
		W/O VINTAGE				
REF. No.	PART No.	FINISH	FINISH GRAIN	ENGRAVING	MATERIAL	
1	ABA323DH77	Brushed	Circular	---	Epoxy Coated Naval Bronze	
	ABA323DH78	Brushed	Vertical			
	ABA323DH79	Mirror	---			
	ABA323DH87	Brushed	Circular	CALL CANCEL		
	ABA323DH88	Brushed	Vertical			
	ABA323DH89	Mirror	---			
	ABA323DH93	Brushed	Circular	PUSH FOR ALARM		
	ABA323DH94	Brushed	Vertical			
	ABA323DH95	Mirror	---			
	ABA323DH99	Brushed	Circular	ARROW		
	ABA323DH100	Brushed	Vertical			
	ABA323DH101	Mirror	---			
	ABA323DH105	Brushed	Circular	NON-STOP		Stainless Steel
	ABA323DH106	Brushed	Vertical			
	ABA323DH107	Mirror	---			
	ABA323DH108	Brushed	Circular			
	ABA323DH109	Brushed	Vertical			
	ABA323DH110	Mirror	---			

11.5 mm Target, Series 2

31-AAA23500AAF

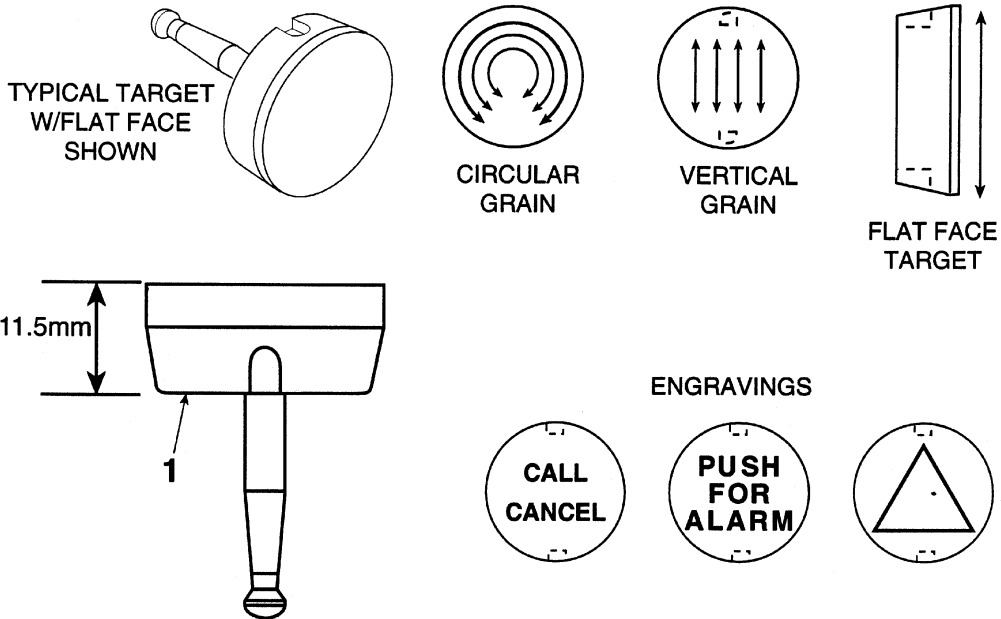


ENGRAVINGS



W/O VINTAGE					
REF. No.	PART No.	FINISH	FINISH GRAIN	ENGRAVING	MATERIAL
1	ABA323DH19	Brushed	Circular	---	Naval Bronze
	ABA323DH20	Brushed	Vertical		
	ABA323DH21	Mirror	---		
	ABA323DH22	Brushed	Circular		
	ABA323DH23	Brushed	Vertical		
	ABA323DH24	Mirror	---		
	ABA323DH43	Brushed	Circular	CALL CANCEL	Naval Bronze
	ABA323DH44	Brushed	Vertical		
	ABA323DH45	Mirror	---		
	ABA323DH46	Brushed	Circular		
	ABA323DH47	Brushed	Vertical		
	ABA323DH48	Mirror	---		
	ABA323DH55	Brushed	Circular	PUSH FOR ALARM	Naval Bronze
	ABA323DH56	Brushed	Vertical		
	ABA323DH57	Mirror	---		
	ABA323DH58	Brushed	Circular		
	ABA323DH59	Brushed	Vertical		
	ABA323DH60	Mirror	---		
	ABA323DH67	Brushed	Circular	ARROW	Naval Bronze
	ABA323DH68	Brushed	Vertical		
	ABA323DH69	Mirror	---		
	ABA323DH70	Brushed	Circular		
ABA323DH71	Brushed	Vertical			
ABA323DH72	Mirror	---			
					Stainless Steel

(Continued on next page)



W/O VINTAGE					
REF. No.	PART No.	FINISH	FINISH GRAIN	ENGRAVING	MATERIAL
1	ABA323DH80	Brushed	Circular	---	Epoxy Coated Naval Bronze
	ABA323DH81	Brushed	Vertical		
	ABA323DH82	Mirror	---		
	ABA323DH90	Brushed	Circular	CALL CANCEL	
	ABA323DH91	Brushed	Vertical		
	ABA323DH92	Mirror	---		
	ABA323DH96	Brushed	Circular	PUSH FOR ALARM	
	ABA323DH97	Brushed	Vertical		
	ABA323DH98	Mirror	---		
	ABA323DH102	Brushed	Circular	ARROW	
	ABA323DH103	Brushed	Vertical		
	ABA323DH104	Mirror	---		
	ABA323DH111	Brushed	Circular	NON-STOP	
	ABA323DH112	Brushed	Vertical		
	ABA323DH113	Mirror	---		
	ABA323DH114	Brushed	Circular		
	ABA323DH115	Brushed	Vertical		
	ABA323DH116	Mirror	---		
					Stainless Steel