

SPL 31-AAA23500AQ - Fixture- Part, Luxury, Modular Motionless II Pushbutton

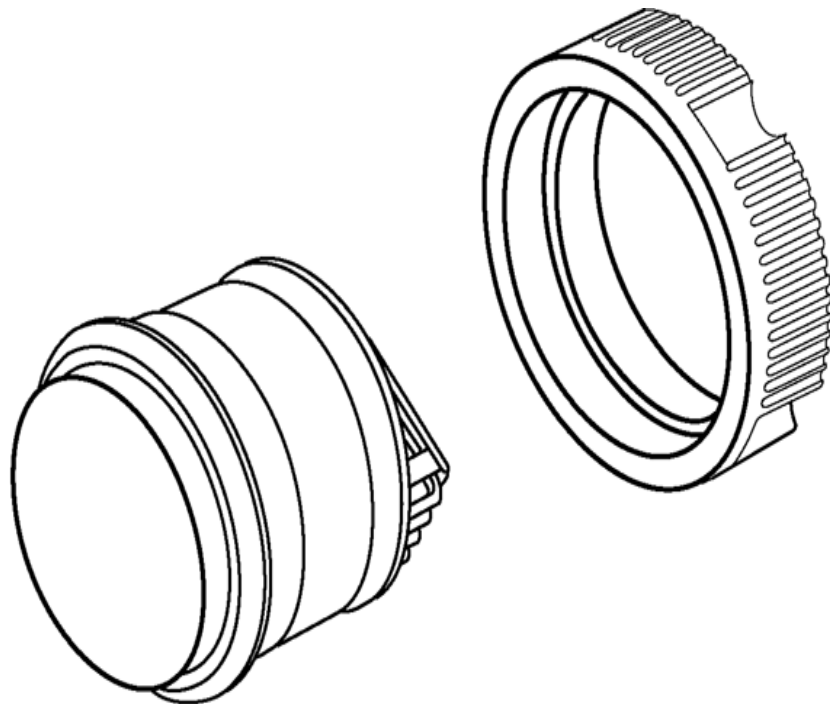
Unpublished Work - © Otis Elevator Company. Any unauthorized reproduction, disclosure, or distribution of copies or content by any person of any portion of this work may be a violation of Copyright Law of the United States of America. All rights reserved.

June 1998

Supersedes SPL 31-AAA23500AQ September 1997

Page 1

W/O
VINTAGE



SPL 31-AAA23500AQ - Fixture- Part, Luxury, Modular Motionless II Pushbutton

Page 2 – History

History
31-AAA23500AQ
First Published: September 1, 1997

Fixture-Parts, Luxury, Modular Motionless II Pushbutton

REVISED DATE	RESPONSIBLE ENGINEER	PRIMARY REASON FOR REVISION
June 1998	Val Minnes	Change part numbers from AA to AAA

Leaflet Description

This spare parts leaflet describes the lowest replaceable units (LRUs) for the series II motionless pushbutton.

Note that this part does not have application to the NAA market.

RELATED LEAFLET NUMBERS	TITLES

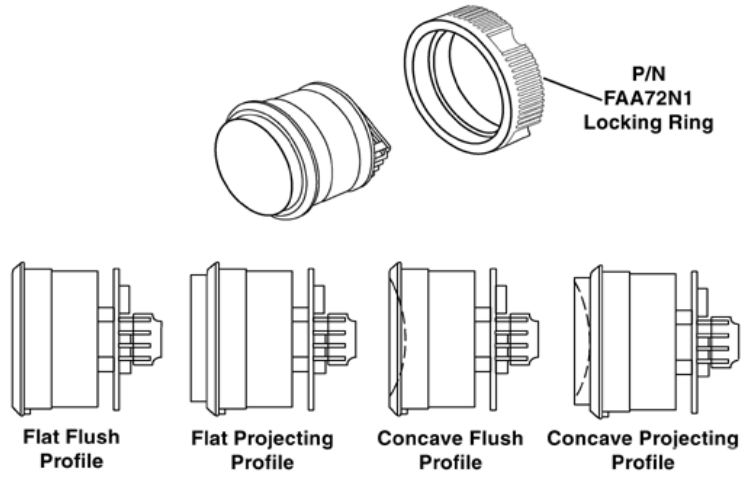
DRAWING REFERENCES
AAA23500AQ

RELATED DOCUMENT NUMBERS	TITLES

This Spare Parts Leaflet (SPL) is prepared to assist you in determining the Lowest Replaceable Units (LRU) supported by the Otis Service Center for the standard version of the product titled on the preceding page. The parts are chosen by Otis associates from: Engineering, Field Engineering, Service Engineering, and Manufacturing. We attempt to make part identification as easy as possible. The SPL, however, cannot be all inclusive. Elevator and escalator contracts classified as either "special" or "custom" are not addressed. Alternative sources of information such as: the Contract Folder, Technical Information Publications, Field Education Articles, Construction Letters, etc. may give the information you are after. You live in the real world of maintaining your elevator and escalator contracts. On a daily basis, situations arise regarding parts identification and at times, for some reason, the part you need is not in the SPL. If you think a standard part not listed should be let us know. We will respond.

SPL 31-AAA23500AQ - Fixture- Part, Luxury, Modular Motionless II Pushbutton

Page 3 - Motionless II Pushbutton

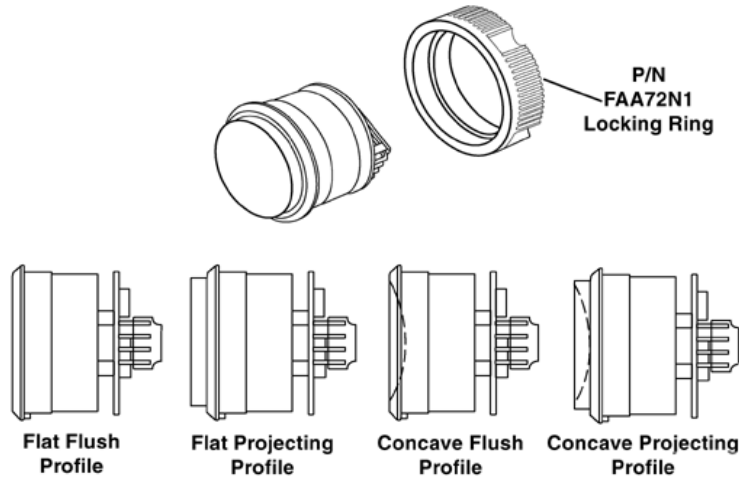


Motionless II Pushbutton, Luxury Fixtures

LED COLOR	TARGET PROFILE	TARGET FINISH	PART NUMBER
Red (24 VDC)	Flat Flush	St. Steel Satin	AAA23500AQ1
		St. Steel Mirror	AAA23500AQ2
		Bronze Satin	AAA23500AQ3
		Bronze Mirror	AAA23500AQ4
	Flat Projecting	St. Steel Satin	AAA23500AQ5
		St. Steel Mirror	AAA23500AQ6
		Bronze Satin	AAA23500AQ7
		Bronze Mirror	AAA23500AQ8
	Concave Flush	St. Steel Satin	AAA23500AQ9
		St. Steel Mirror	AAA23500AQ10
		Bronze Satin	AAA23500AQ11
		Bronze Mirror	AAA23500AQ12
	Concave Projecting	St. Steel Satin	AAA23500AQ13
		St. Steel Mirror	AAA23500AQ14
		Bronze Satin	AAA23500AQ15
		Bronze Mirror	AAA23500AQ16

SPL 31-AAA23500AQ - Fixture- Part, Luxury, Modular Motionless II Pushbutton

Page 4 - Motionless II Pushbutton



Motionless II Pushbutton, Luxury Fixtures

LED COLOR	TARGET PROFILE	TARGET FINISH	PART NUMBER
Green (24 VDC)	Flat Flush	St. Steel Satin	AAA23500AQ17
		St. Steel Mirror	AAA23500AQ18
		Bronze Satin	AAA23500AQ19
		Bronze Mirror	AAA23500AQ20
	Flat Projecting	St. Steel Satin	AAA23500AQ21
		St. Steel Mirror	AAA23500AQ22
		Bronze Satin	AAA23500AQ23
		Bronze Mirror	AAA23500AQ24
	Concave Flush	St. Steel Satin	AAA23500AQ25
		St. Steel Mirror	AAA23500AQ26
		Bronze Satin	AAA23500AQ27
		Bronze Mirror	AAA23500AQ28
Concave Projecting	St. Steel Satin	AAA23500AQ29	
	St. Steel Mirror	AAA23500AQ30	
	Bronze Satin	AAA23500AQ31	
	Bronze Mirror	AAA23500AQ32	