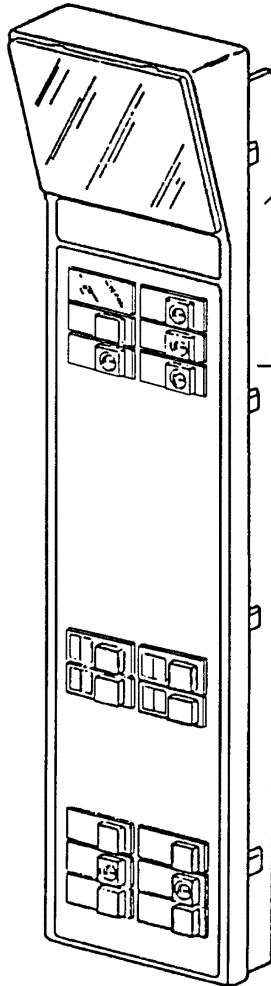


**Hydro 2-Row COP  
Assembly: Type  
AAA25000AAA**

**Spare Parts Leaflet  
31-AAA25000AAA  
May 25, 2011 / Page 1 of 5**



31	R-AAA25000AAA
31	R-ABA25000AAA
31	R-ABB25000AAA

Unpublished Work—© Otis Elevator Co.; 2011

**OTIS**

**Safety First!**

**SERVICE ENGINEERING  
Otis Elevator Company  
Bloomfield, Connecticut USA**

**Leaflet Description**

This leaflet describes the spare parts information for type AAA25000AAA car operating panel (COP) assembly used on hydraulic elevators.

**Leaflet Revisions**

<b>Date Revised</b>	<b>Subject Matter Expert</b>	<b>Reason for Revision</b>
May 1991	Jeff Costley	New SPL
October 1997	Stephen Karvazy	- - -
April 26, 2002	Ali Bozorgzadeh	Update cross-references on pp.2, 3, 4
May 25, 2011	Matt Fournier	Added cover plate and standoff parts on p. 4

**Related Drawings**

<b>Drawing No.</b>	<b>Title</b>	<b>Drawing No.</b>	<b>Title</b>
AAA25000AAA	NAO Hydro 2 Row Micro Computer Car Operating Panel Assembly	- - -	- - -
ABA25000AAA		- - -	- - -
ABB25000AAA		- - -	- - -

**Related Documents**

<b>Document ID</b>	<b>Title</b>
SPL 31-7069AF	Component Fixtures for Car Operating & Hall Panels
SPL 31-7069AG	Jewel Modules for Car and Hall Panels 3-Wire Configuration with Incandescent Lamps
SPL 31-7069AH	7069AH Keyswitch Module (Production Application 1981-1990)
SPL 31-AAA7069AAK	Keyswitch Module
SPL 31-AAA7069BH	Keyswitch Modules
TIP 24.4-17	LRS/LHM Software Contract Survey Form

**Subject Matter Expert**

<b>Name</b>	<b>Department</b>
Matt Fournier	OSC Service Engineering

**About Spare Parts Leaflets...**

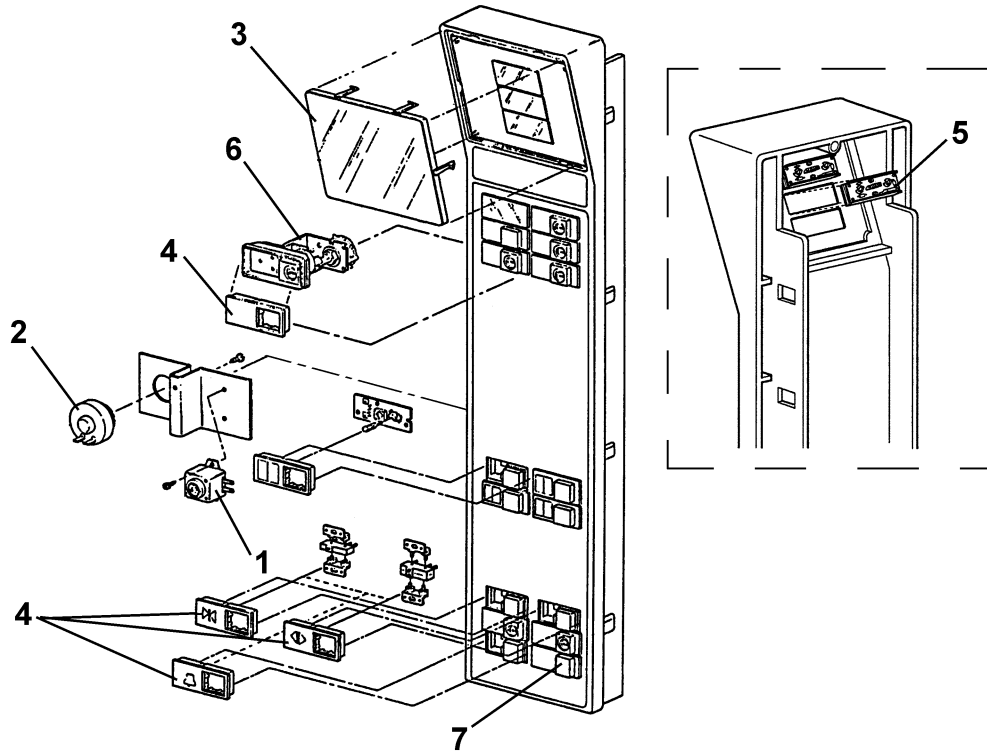
This document lists the lowest replaceable units (LRUs) for the standard version of the product. The LRUs are chosen by a team of Otis associates representing engineering and manufacturing.




While goal of this document is to make parts identification as easy as possible, the document cannot be all-inclusive. Elevator and escalator contracts classified as "special" or "custom" are not addressed here. For such contracts, please refer to specified information, the contract folder, TIPs, Field Education Articles, Construction Letters, etc. for further information.

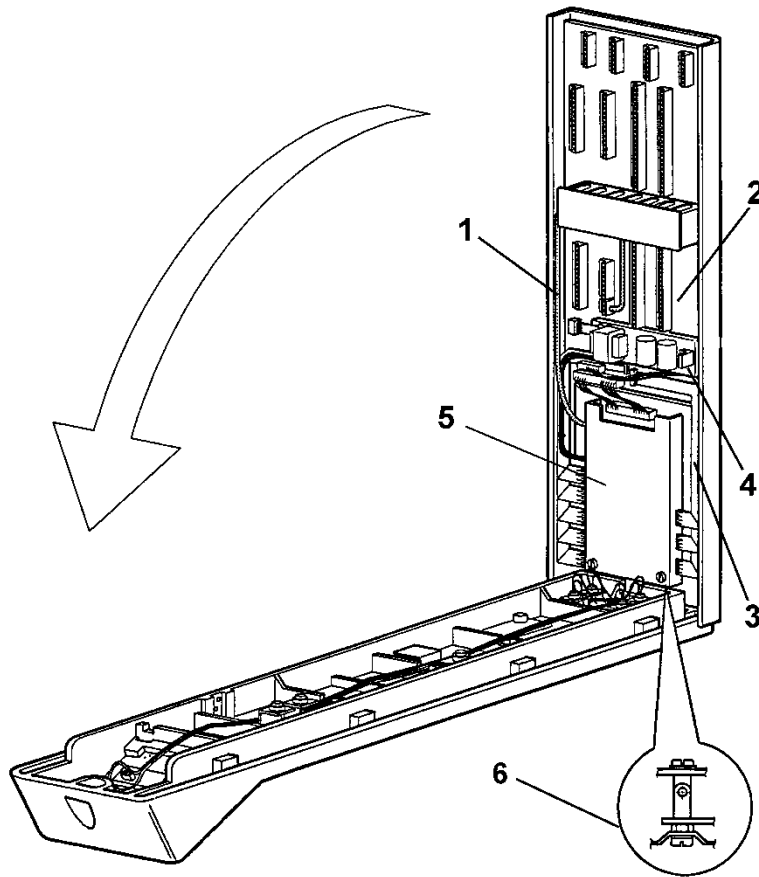
If you have any suggestions about this document, please contact the subject matter expert listed on this page.

# COP Front Panel Assembly


**31-AAA25000AAA**



REF. No.	PART NO.		DESCRIPTION
	AAA25000AAA	ABA25000AAA ABB25000AAA	
1	6219F1	6219F3	Buzzer
2	6219G1	A6219G2	Device, Audible Signal (ADA)
3	443CH1		Lens, Green
4	---		Module, Button,  SPL 31-7069AF
5	---		Module, Jewel,  SPL 31-7069AG
6	---		Module, Keyswitch,  SPL 31-7069AH, SPL 31-AAA7069BH, and SPL 31-AAA7069AAK
7	7069AK1		Switch, Toggle, Emergency Stop (w/o ADA)
	---	7069AK5	Switch, Toggle, Emergency Stop (w/ADA)



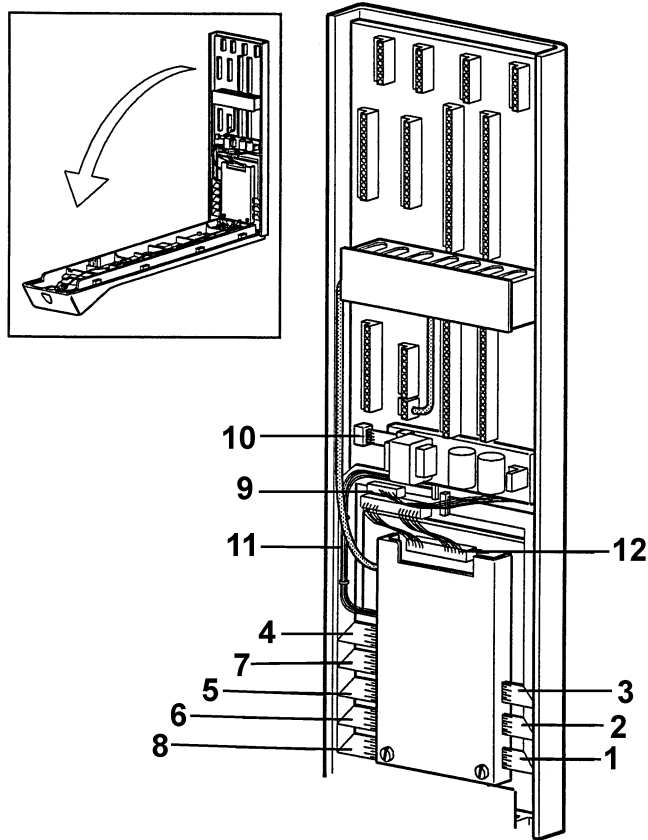
		<b>ABA25000AAA</b>
		<b>ABB25000AAA</b>
<b>REF. No.</b>	<b>PART No.</b>	<b>DESCRIPTION</b>
1	174JF1	Assembly, Cable
	174JF2	Assembly, Cable (w/Canada B44 code)
2	A8128EF1	PCB, Cab Interface
3	E8121DB1	PCB, Micro Computer (LRV4 w/REM)
	F8121BC1	PCB, Micro Computer (w/Canada B44 code)
4	B8121BA2	PCB, Power Supply
5	A386CAC3	Plate, Cover, use w/ E8121DB1 PCB
	A386CAB3	Plate, Cover, use w/ F8121BC1 PCB
6	354CK2	Standoff, Swivel, L = 3/4 in.
*	354AG11	Standoff, 1.0 in. L, use w/ Ref. 5
*	354AG6	Standoff, 1/4 in. L, use w/ Ref. 5

 TIP 24.4-17 for Contract Software

\* Parts not shown.

# Cable Assemblies

**31-AAA25000AAA**



		<b>ABA25000AAA</b>		
		<b>ABB25000AAA</b>		
<b>REF. No.</b>	<b>PART No.</b>	<b>DESCRIPTION</b>	<b>CONNECTION</b>	
1	174JB1	Assembly, Cable	1J to OM1	
2	174JB1		3J to OM2	
3	174JB1		5J to OM3	
4	174JB1		6J to IM5	
5	174JB1		8J to IM3	
6	174JB1		9J to IM2	
7	174JB3		7J to IM4	
8	174JB3		10J to IM1	
9	174JC1		14J to J2	
10	174JC2		15J to J1	
11	174JC3		16J to J4	
12	174JH1		1KI to J2	