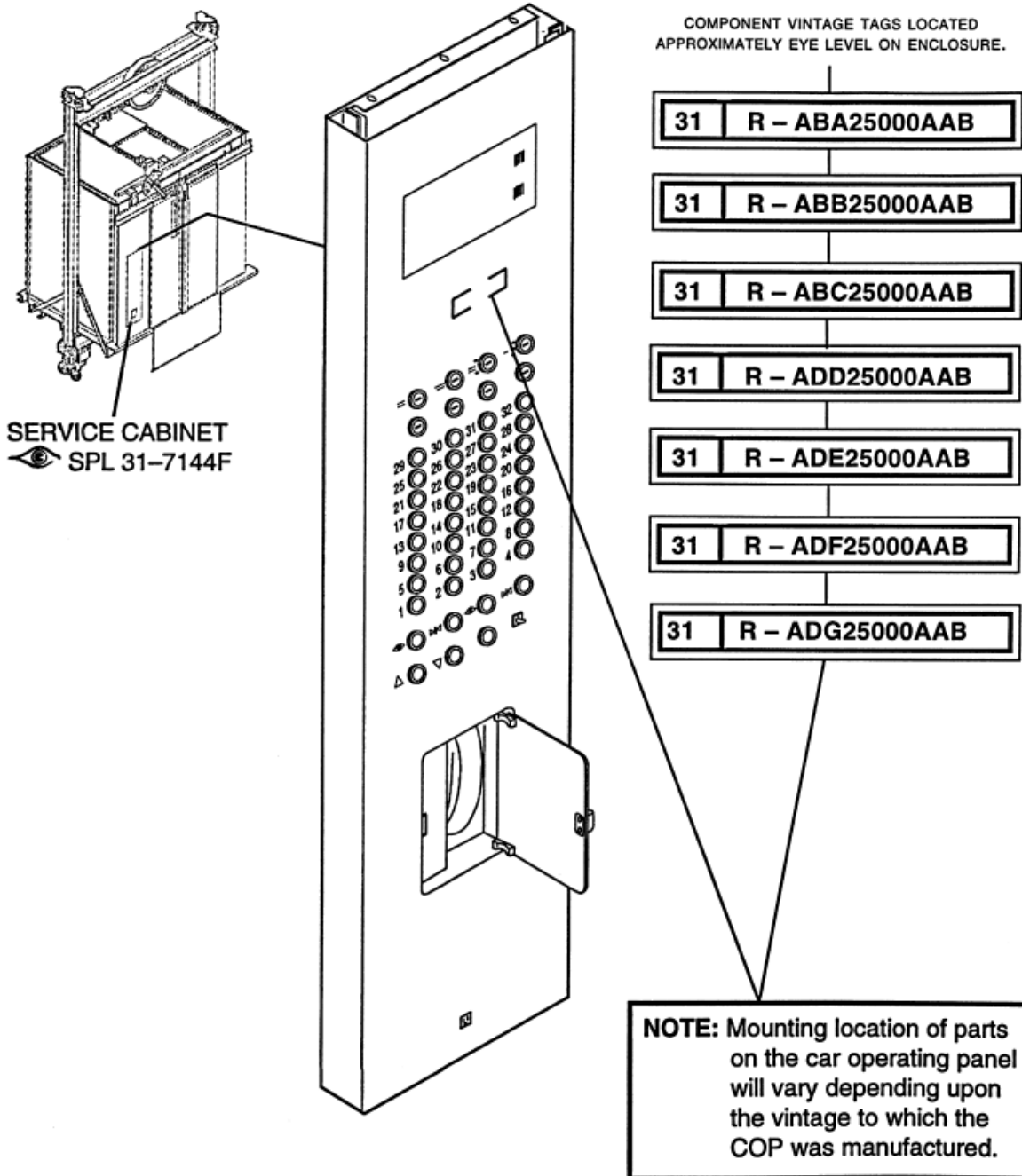


# SPL 31-AAA2500AAB - ELEVONIC 411, Car Operating Panel

Unpublished Work - © Otis Elevator Company. Any unauthorized reproduction, disclosure, or distribution of copies or content by any person of any portion of this work may be a violation of Copyright Law of the United States of America. All rights reserved.

Supersedes SPL 31-A..2500AAB Dated: October 1992  
January 1998

Page 1



# SPL 31-AAA25000AAB - ELEVONIC 411, Car Operating Panel

Page 2

FIRST PUBLISHED: May, 1990

REVISED DATE	RESPONSIBLE ENGINEER	PRIMARY REASON FOR REVISION
05/90		New leaflet
10/92		Add vintages, update parts
01/98	Val Minnes	Update parts, add new vintages, add history page

## Leaflet Description

This leaflet describes the Car Operating Panel (COP) for the Elevonic@411. Individual sections of the COP as well as spare parts components are detailed.

RELATED LEAFLETS

DRAWING REFERENCES
AAA250000AAB
ABA250000AAB
ABB250000AAB
ABC250000AAB
ADA250000AAB

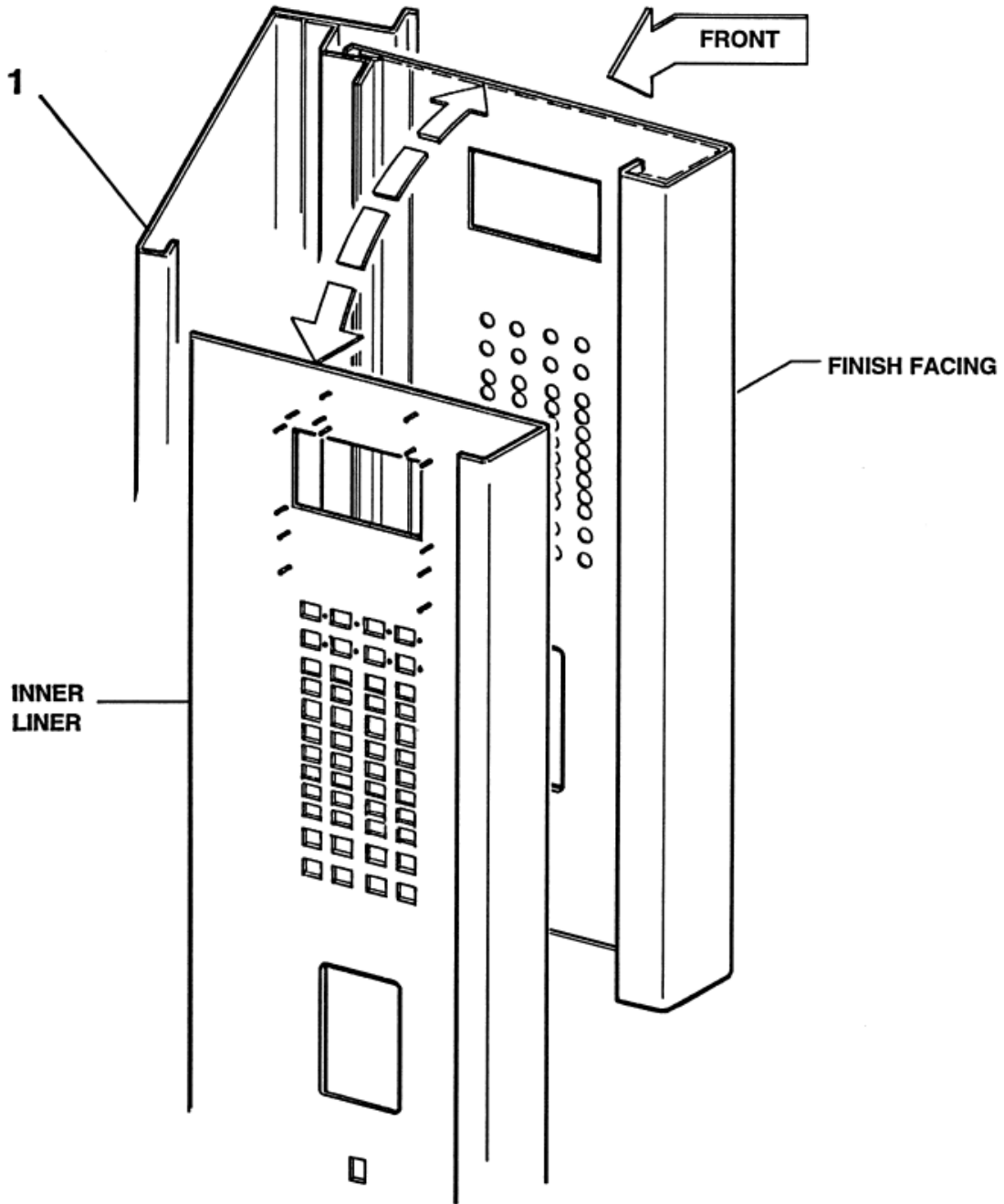
RELATED DOCUMENTS

This Spare Parts Leaflet (SPL) is prepared to assist you in determining the Lowest Replaceable Units (LRU) supported by the Otis Service Center for the standard version of the product titled on the preceding page. The parts are chosen by Otis associates from: Engineering, Field Engineering, Service Engineering, and Manufacturing. We attempt to make part identification as easy as possible. The SPL, however, cannot be all inclusive. Elevator and escalator contracts classified as either "special" or "custom" are not addressed. Alternative sources of information such as: the Contract Folder, Technical Information Publications, Field Education Articles, Construction Letters, etc. may give the information you are after. You live in the real world of maintaining your elevator and escalator contracts. On a daily basis, situations arise regarding parts identification and at times, for some reason, the part you need is not in the SPL. If you think a standard part not listed should be — let us know. We will respond.

**Val Minnes** - Service Engineering

SPL 31-AAA25000AAB - ELEVONIC 411, Car Operating Panel

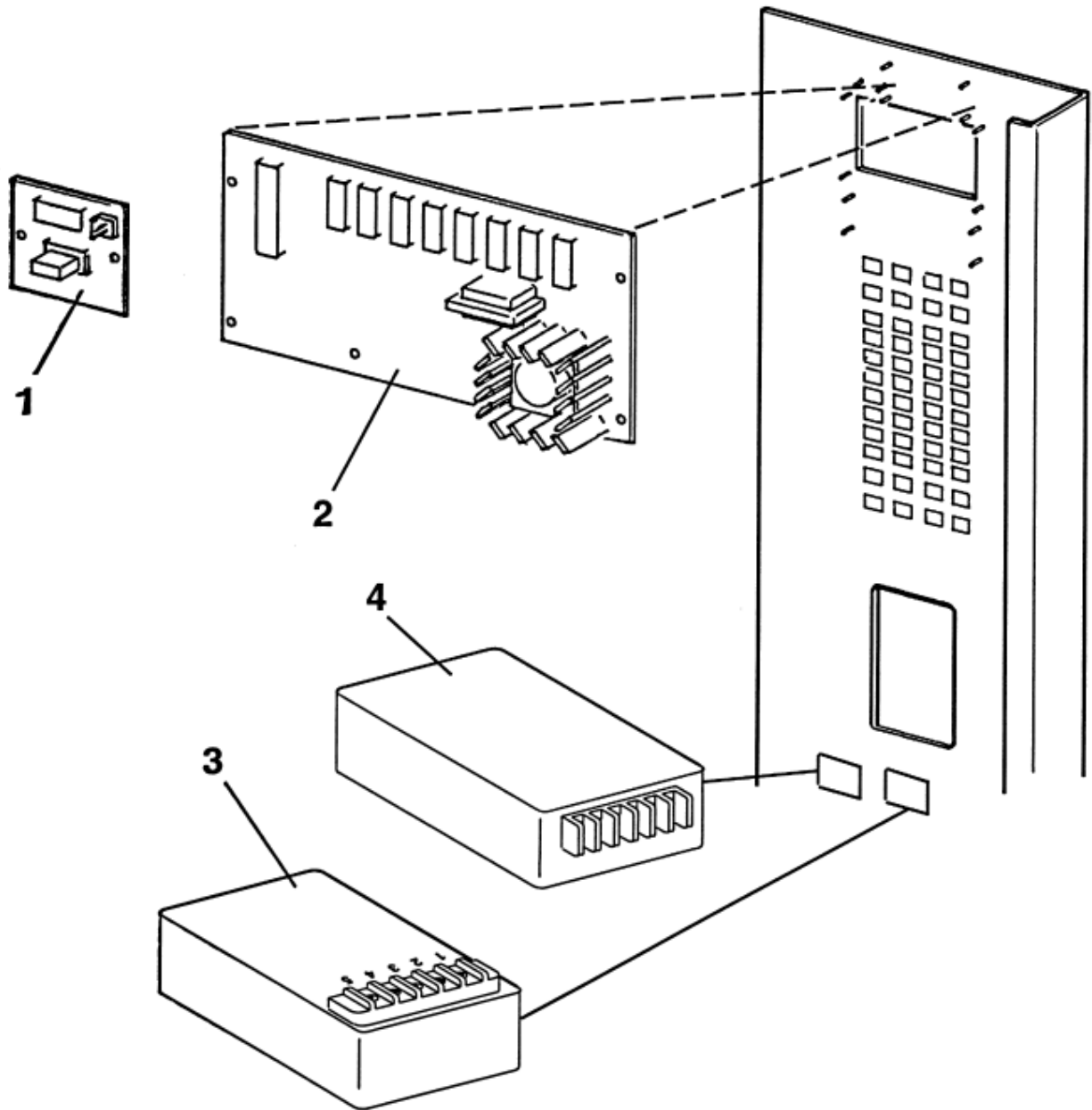
Page 3 - FINISH FACING/INNER LINER



REF. No.	ALL VINTAGES PART OR ML	DESCRIPTION
1	—	Return Panel, See Also Page 23

# SPL 31-AAA25000AAB - ELEVONIC 411, Car Operating Panel

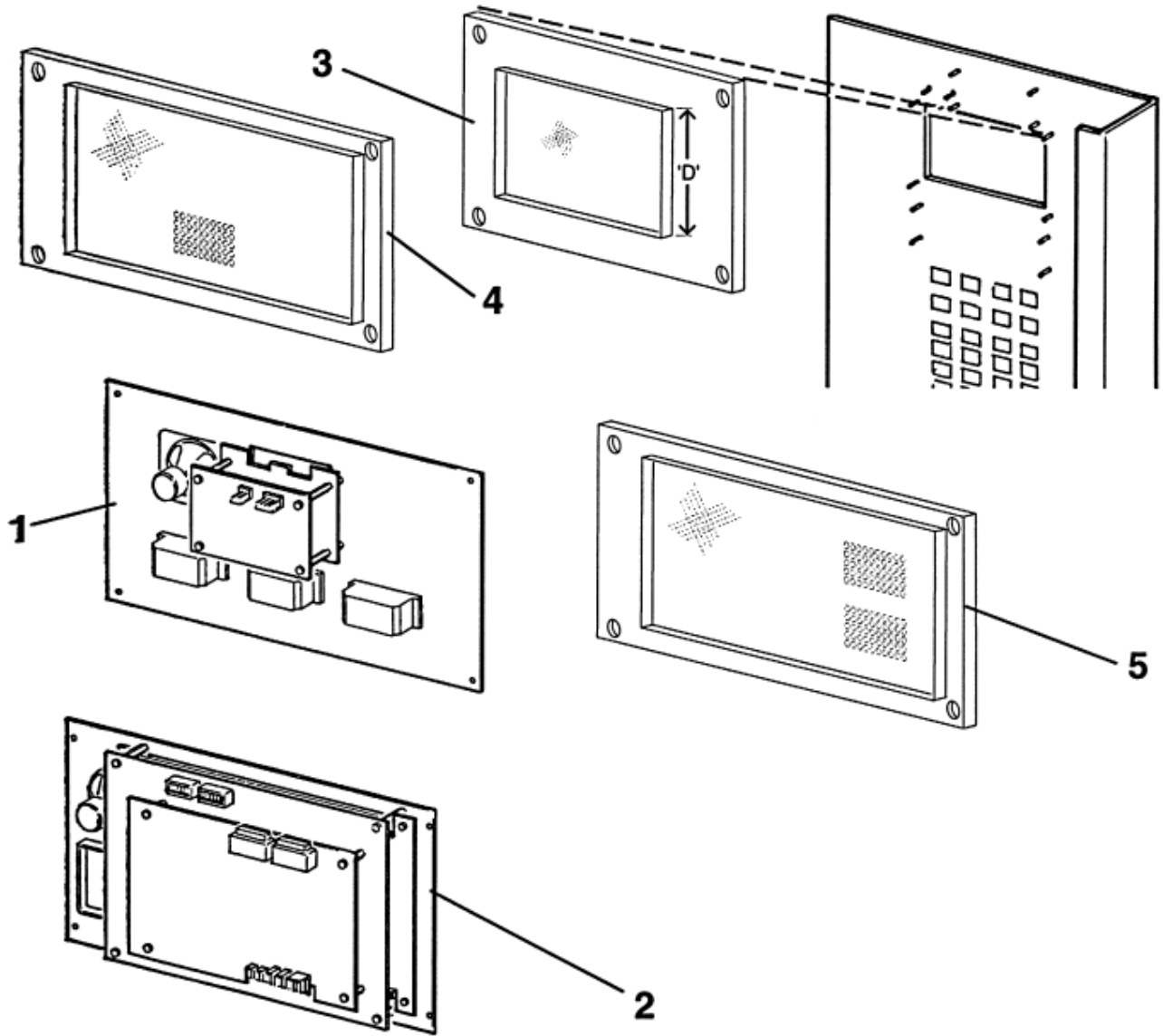
## Page 4 - SPARE PARTS COMPONENTS



ALL VINTAGES		
REF. No.	PART OR ML	DESCRIPTION
1	A8128EB4	PC Board, Speech Interface Module
	C8128EB1	
2	A8200EB1	PC Board, Speech, American Female
	A8200EB3	PC Board, Speech, Other Vocabularies
3	P621D1	Power Supply, (Service Tool) 5VDC, 1000mA
4	P621D4	Power Supply, Speech, 3-12VDC, 2 Amps

# SPL 31-AAA2500AAB - ELEVONIC 411, Car Operating Panel

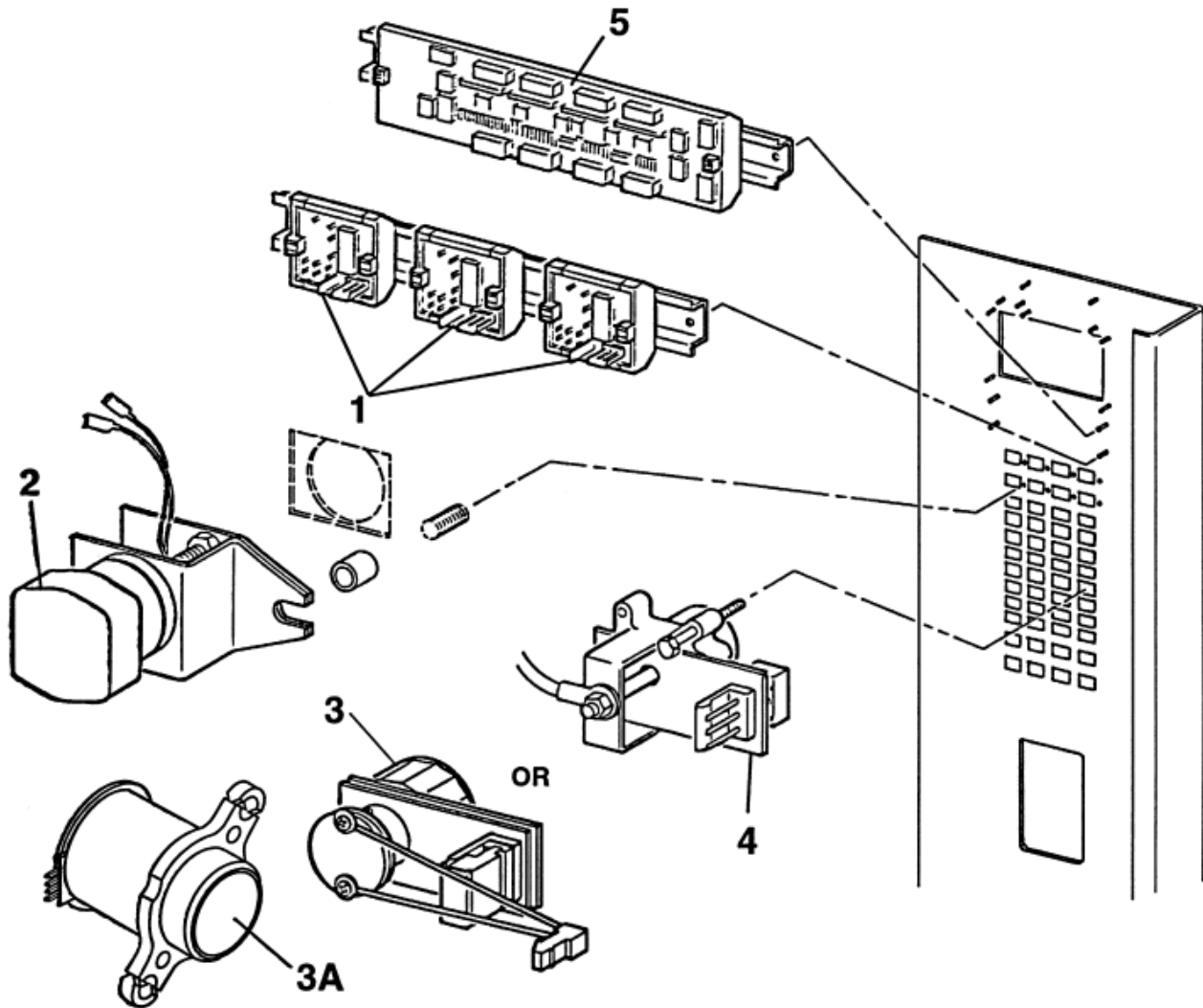
Page 5



ALL VINTAGES		
REF. No.	PART OR ML	DESCRIPTION
1	TYPE AAA25250A	Assembly, Car Position Indicator w/Indicator Modules See Also Detail, Page 9
2	TYPE AAA23750AAA	Electroluminescent Display, See Also SPL 32-AAA23750AAA
3	AAA449BT1	Lens, Dim. D = 124mm, (for CPI with 1 or 2 Message Modules or ELD w/o Speaker)
	AAA449BT2	Lens, Dim. D = 159mm, (for CPI with 3 or 4 Message Modules w/o Speaker)
4	AAA449BV1	Lens, for CPI w/Speaker Holes
	AAA449BV2	Lens, for CPI w/o Speaker Holes (with 5 or 6 Message Modules)
5	AAA449BR3	Lens, for ELD w/Speaker Holes

SPL 31-AAA2500AAB - ELEVONIC 411, Car Operating Panel

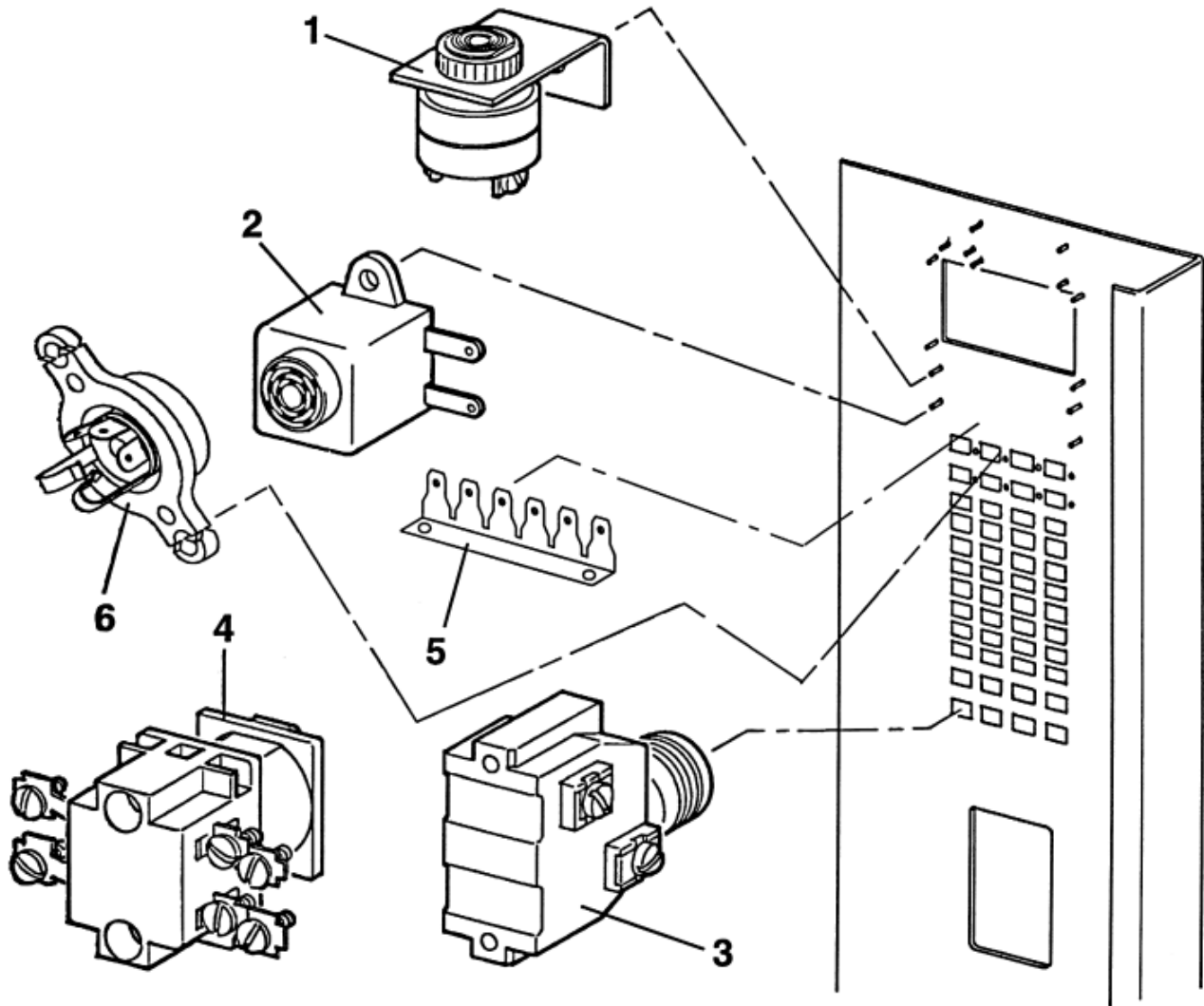
Page 6



REF. No.	ALL VINTAGES PART OR ML	DESCRIPTION	
1	7145AY1	Assembly, Remote Station-4 Module, See Also Page 8	
	AAA26810A1	Assembly, Remote Station-5 Module, See Also Page 8	
	AAB26810A1	Assembly, Remote Station-5 Module, See Also Page 8	
2	TYPE AAA06410AAA	Keyswitch w/Engraving on Finish Facing	See Also
	TYPE AAA6410AA	Keyswitch w/Engraving on Collar	SPL 31-AAA06410AAA
	TYPE AAA23500F,G,J,K,L,R&W	Keyswitch Various, See Also SPL 31-AAA23500F	
3	TYPE AAA23500AAF	Micro-Motion Button, See Also SPL 31-AAA23500AAF	
3A	TYPE AAA23500D	Micro-Motion II Button, See Also SPL 31-AAA23500D	
4	TYPE AAA23500AAD	Motionless Button, See Also SPL 31-AAA23500AAD	
5	9693AE1	PC Board, Remote Station Extender, See Also Page 8	
	A9693AE1		

# SPL 31-AAA2500AAB - ELEVONIC 411, Car Operating Panel

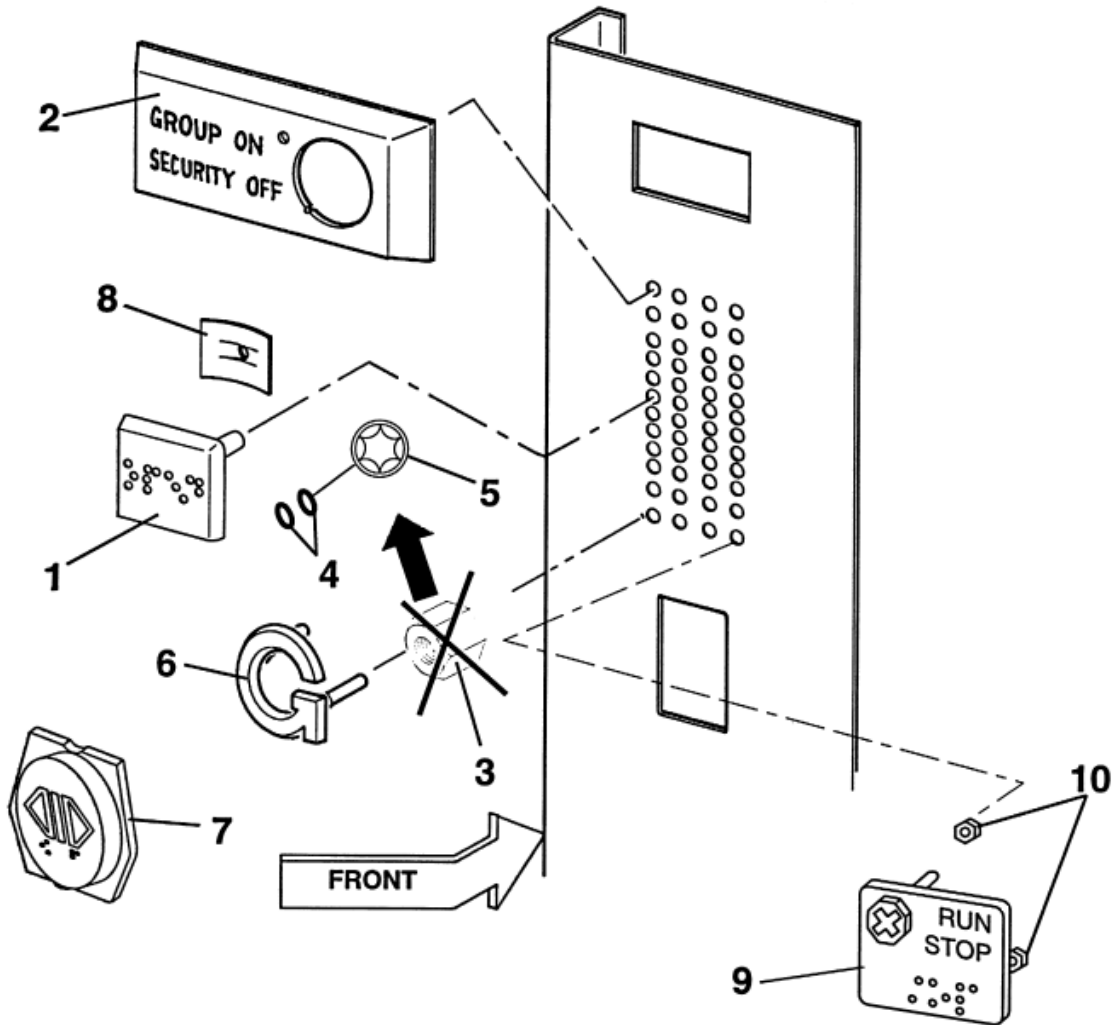
Page 7



ALL VINTAGES		
REF. No.	PART OR ML	DESCRIPTION
1	6219G4	Audible Signal Device (Floor Passing Tone)
	A6219G1	
2	6219F4	Buzzer
	6219F2	
3	7014A15	Switch, Emergency Stop (Push-Pull) See Also SPL C-1024
4	6073F3	Switch, Emergency Stop (Toggle)
5	AAA650D2	Bus Bar, Ground
6	AAA23500T	Phone Jack See Also SPL 31-AAA23500T

SPL 31-AAA2500AAB - ELEVONIC 411, Car Operating Panel

Page 8

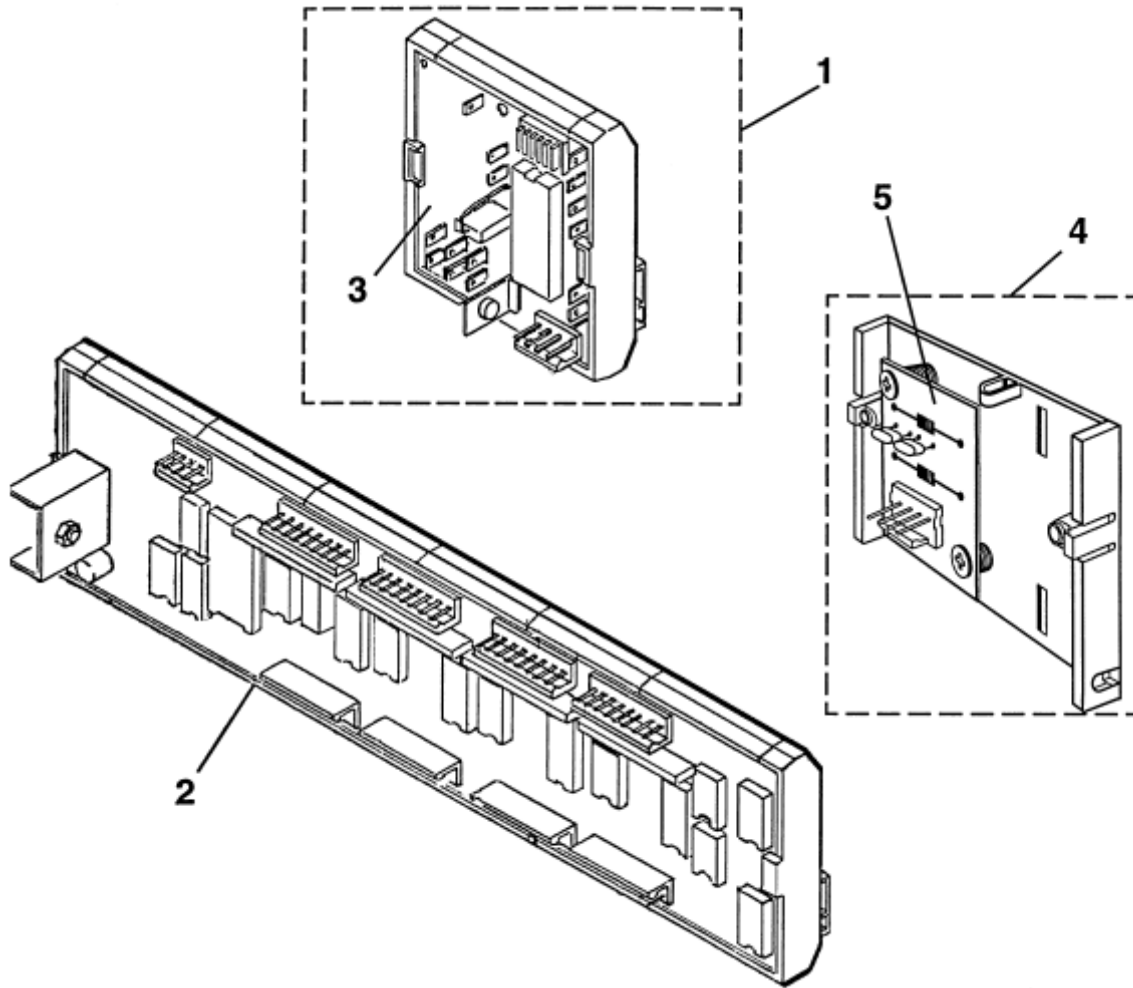


REF. No.	PART OR ML	DESCRIPTION	
1	AAA102SC	Braille Plate, See Also Pages 18 through 20	
2	AAA00396AAH	Chicklet, See Also Pages 12 through 15	
3	AAA428J/NUT	Hex Nut, 1/72 in Replace Threaded Nut With (1) Pushnut & (2) 'O' Rings. Use Tool MT-105051 For Proper Seating.	
4	182H59	'O' Ring	
5	72CE21	Pushnut	
6	AAA428AAA-**-*	AAA428J1-**-**	Raised Character, See Also Pages 16 & 17
7		AAA102WL-**-**	Raised Character Plate, w-w/o Braille See Also P. 21
8	72CE16		Speed Nut
9	AAA250G2-**-**		Graphic Insert, w/Braille See Also SPL 31-AAA250G
10	AAA72HD1		Nut, Self Threading



# SPL 31-AAA25000AAB - ELEVONIC 411, Car Operating Panel

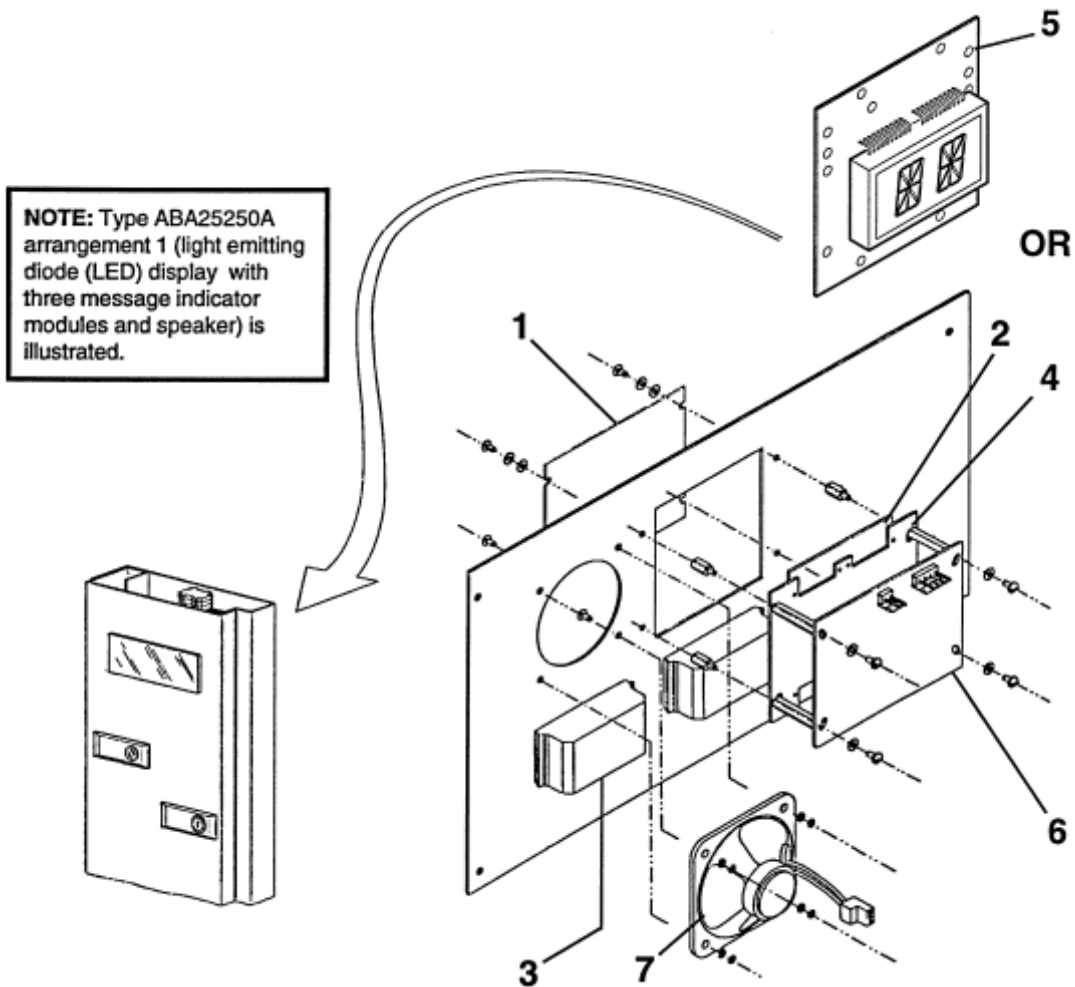
## Page 9 - PC BOARDS



REF. No.	ALL VINTAGES PART OR ML	DESCRIPTION
1	7145AY1	Assembly, Remote Station-4 Module
	AAA26810A1	Assembly, Remote Station-5 Module
2	9693AE2	PC Board, Remote Station Extender
	A9693AE1	
3	A9693C4	PC Board, Remote Station-4, RS-4
	GBA23550D1	PC Board, Remote Station-5, RS-5
	GCA23550D1	
4	AAA26810A2	Assembly, Line Terminator 75 OHM
	AAA26810A3	Assembly, Line Terminator 50 OHM
5	AAA26800UX1	PC Board, Line Terminator 75 OHM
	AAA26800UX2	PC Board, Line Terminator 50 OHM

# SPL 31-AAA2500AAB - ELEVONIC 411, Car Operating Panel

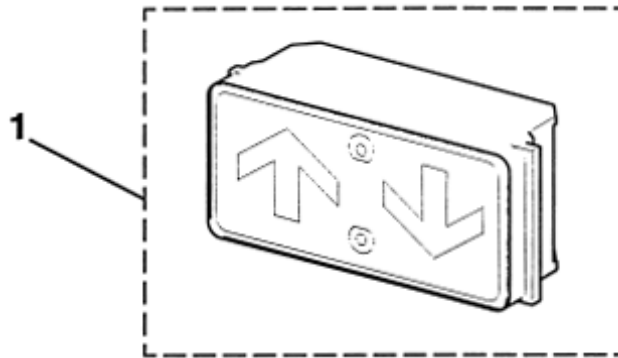
## Page 10 - TYPE AAA25250A, CAR POSITION INDICATOR



ALL VINTAGES		
REF. No.	PART OR ML	DESCRIPTION
1	AAA449BM2	Mask, Red Filter (w/ABA26800G P1)
2	AAA449BM3	Mask, Red Filter (w/ABA26800G P2)
3	TYPE AAA7069AAE	Message Indicator Module See Also Detail, Pages 10 & 11
4	AAA26800GP4	PC Board, Light Emitting Diode Display
	ABA26800GP1	(with seperate red mask, Ref. 1)
5	AAA26800GP2	PC Board, Light Emitting Diode Display
	ABA26800GP2	(with integral red mask, Ref. 2)
6	ABA26800HJ1	PC Board, Vacuum Fluorescent Position Indicator Display
	ACA26800HJ1	
7	AAA26800GN4	PC Board, Power
	ABA26800GN1	
7	A433NB2	Speaker See Also SPL 31-433NB (New) for Remote & Intercom

SPL 31-AAA25000AAB - ELEVONIC 411, Car Operating Panel

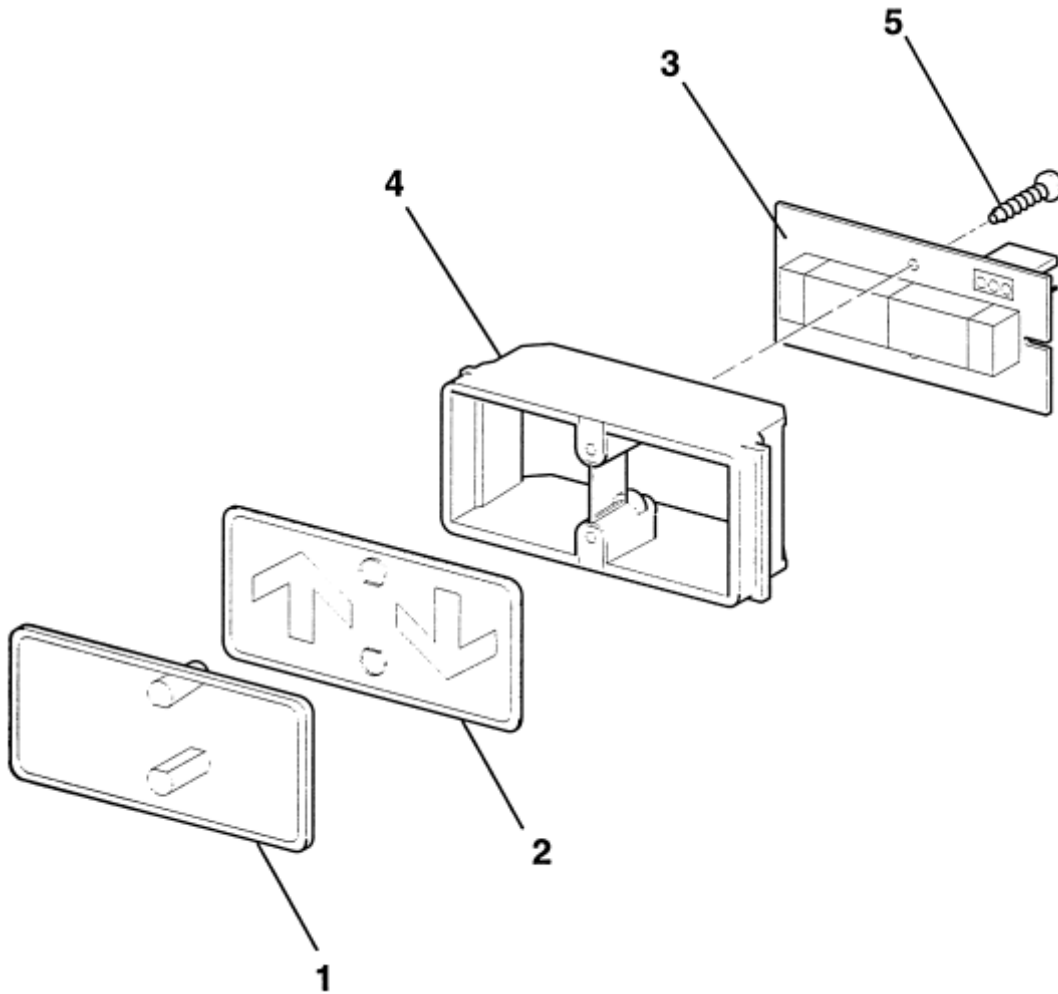
Page 11 - TYPE AAA7069AAE, MESSAGE INDICATOR MODULE



ALL VINTAGES			
REF. NO.	PART OR M.L.	DESCRIPTION	MARKING
1	AAC7069AAE1	Secure Access	Restricted Floor
	AAC7069AAE2	Emergency Service	Please Exit When Doors Open
	AAC7069AAE3	Attendant Service	Further Demand
	AAC7069AAE4	Priority Service	Priority Service
	AAC7069AAE5	Direct Arrows	↓↑
	AAC7069AAE6	Full Car/Overload	
	AAC7069AAE7	Secure Access-French	Acces Reserve
	AAC7069AAE8	Emergency Service-French	Priere De Sortir Au Prochain Arret
	AAC7069AAE9	Attendant Service-French	Appel Palier
	AAC7069AAE10	Secure Access-German	Haltestelle Nur Fur Befugte
	AAC7069AAE11	Firemen's Service-German	Feuerwehrbetrieb Bitte Aussteigen
	AAC7069AAE12	Priority Service-German	Vorzugsfahrt Bitte Aussteigen
	AAC7069AAE13	Hospital Service-German	Sonderfahrt Bitte Aussteigen
	AAC7069AAE14	Double Deck Elevators	Lower Deck Being Served
	AAC7069AAE15	Double Deck Elevators	Upper Deck Being Served
	AAC7069AAE16	Double Deck Elevators	All Floors Being Served
	AAC7069AAE17	Double Deck Elevators	Odd Floors Being Served
	AAC7069AAE18	Double Deck Elevators	Even Floors Being Served
	AAC7069AAE19	Double Deck Elevators	Lower Deck on Indep. Serv.
	AAC7069AAE20	Double Deck Elevators	Upper Deck on Indep. Serv.
	AAC7069AAE21	Blank	
	AAC7069AAE22	Direction Arrow	
	AAC7069AAE23	Firefighters Hat, SES PH. 1	
	AAC7069AAE24	Alarm Received	Alarm Received

SPL 31-AAA2500AAB - ELEVONIC 411, Car Operating Panel

Page 12

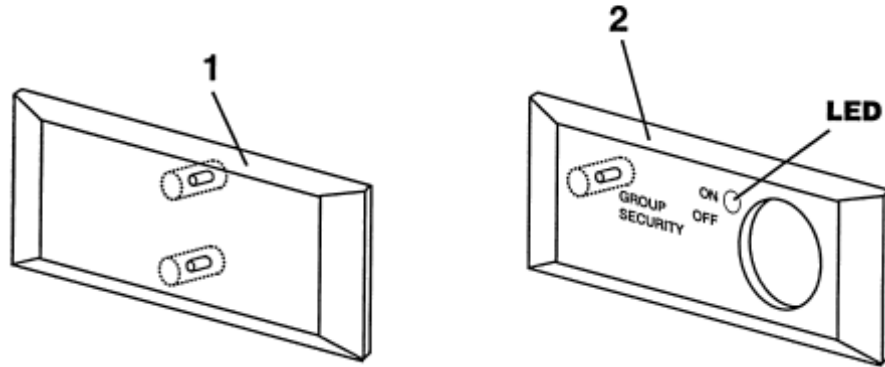


ALL VINTAGES		
REF. No.	PART OR ML	DESCRIPTION
1	443CB2	Lens, Clear
2	TYPE 449BJ	Mask See Also Listing Page 22 or SPL 31-449BJ
3	8128ER4	PC Board, Message Indicator
	AAA26800PJ1	
	AAA26800PJ2	PC Board, Message Indicator w/AAC7069AAE24 "Alarm Received" only
4	AAB278AAC1	Reflector, w/Shield (used with direction arrow module only)
	AAB278AAC2	
5	124CY7	Screw
	124CY4	

SPL 31-AAA2500AAB - ELEVONIC 411, Car Operating Panel

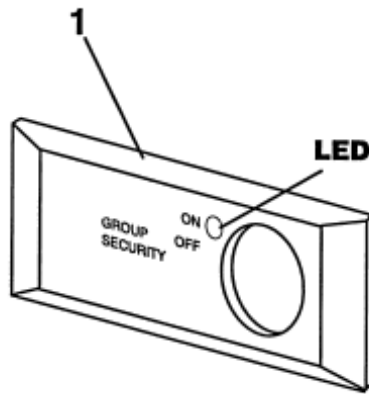
Page 13 - CHICKLET

For applications from 1989-1994 attaches to faceplate with M5 screw(s)



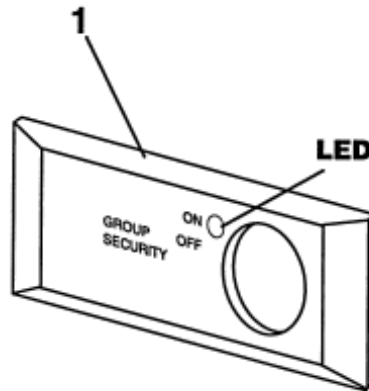
REF. No.	ALL VINTAGES	DESCRIPTION			
	PART OR ML	LED	FUNCTION	FINISH	MARKING
1	ACA00396AAH001	-	Blank Chicklet	Stainless Steel - Mirror	-----
	ACA00396AAH002			Stainless Steel - Brushed	
	ACA00396AAH003			Bronze - Mirror	
	ACA00396AAH004			Bronze - Brushed	
2	ACA00396AAH005	W/O	Button	Stainless Steel - Mirror	-----
	ACA00396AAH006			Stainless Steel - Brushed	
	ACA00396AAH007			Bronze - Mirror	
	ACA00396AAH008			Bronze - Brushed	
	ACA00396AAH009	W	Independent Service	Stainless Steel - Mirror	IND SVC
	ACA00396AAH010			Stainless Steel - Brushed	
	ACA00396AAH011			Bronze - Mirror	
	ACA00396AAH012	W	Emergency Hospital Service	Bronze - Brushed	Priority ON
	ACA00396AAH013			Stainless Steel - Mirror	
	ACA00396AAH014			Stainless Steel - Brushed	
	ACA00396AAH015			Bronze - Mirror	
	ACA00396AAH016	W/O	Attendant	Bronze - Brushed	Service OFF
	ACA00396AAH017			Stainless Steel - Mirror	
	ACA00396AAH018			Stainless Steel - Brushed	
	ACA00396AAH019			Bronze - Mirror	
	ACA00396AAH020	W/O	SES Phase II ANSI	Bronze - Brushed	Attendant ON
	ACA00396AAH021			Stainless Steel - Mirror	
	ACA00396AAH022			Stainless Steel - Brushed	
	ACA00396AAH023			Bronze - Mirror	
	ACA00396AAH024			Bronze - Brushed	Service HOLD OFF




SPL 31-AAA25000AAB - ELEVONIC 411, Car Operating Panel



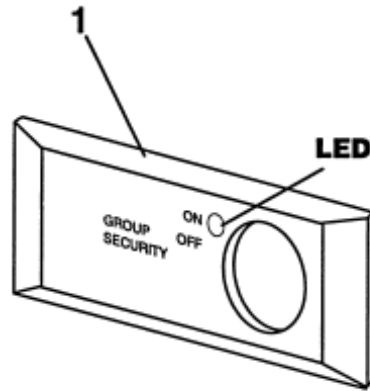
ALL VINTAGES					
REF. No.	PART OR ML	DESCRIPTION			
		LED	FUNCTION	FINISH	MARKING
1	ACA00396AAH025	W/O	Secure Access	Stainless Steel - Mirror	Secure
	ACA00396AAH026			Stainless Steel - Brushed	
	ACA00396AAH027			Bronze - Mirror	
	ACA00396AAH028			Bronze - Brushed	
	ACA00396AAH029	W	Power	Stainless Steel - Mirror	Power
	ACA00396AAH030			Stainless Steel - Brushed	
	ACA00396AAH031			Bronze - Mirror	
	ACA00396AAH032			Bronze - Brushed	
	ACA00396AAH033	W/O	In Car Stop	Stainless Steel - Mirror	Run Stop
	ACA00396AAH034			Stainless Steel - Brushed	
	ACA00396AAH035			Bronze - Mirror	
	ACA00396AAH036			Bronze - Brushed	
	ACA00396AAH037	W/O	Inspection Initiation	Stainless Steel - Mirror	Car Top
	ACA00396AAH038			Stainless Steel - Brushed	
	ACA00396AAH039			Bronze - Mirror	
	ACA00396AAH040			Bronze - Brushed	
	ACA00396AAH041	W/O	Light Ray	Stainless Steel - Mirror	Light Ray
	ACA00396AAH042			Stainless Steel - Brushed	
	ACA00396AAH043			Bronze - Mirror	
	ACA00396AAH044			Bronze - Brushed	
ACA00396AAH045	W/O	Rear Light Ray	Stainless Steel - Mirror	Rear Light Ray	
ACA00396AAH046			Stainless Steel - Brushed		
ACA00396AAH047			Bronze - Mirror		
ACA00396AAH048			Bronze - Brushed		

SPL 31-AAA2500AAB - ELEVONIC 411, Car Operating Panel



ALL VINTAGES					
REF. No.	PART OR M.L.	DESCRIPTION			
		LED	FUNCTION	FINISH	MARKING
1	ACA00396AAH049	W/O	Fan	Stainless Steel - Mirror	
	ACA00396AAH050			Stainless Steel - Brushed	
	ACA00396AAH051			Bronze - Mirror	
	ACA00396AAH052			Bronze - Brushed	
	ACA00396AAH053	W/O	Light	Stainless Steel - Mirror	
	ACA00396AAH054			Stainless Steel - Brushed	
	ACA00396AAH055			Bronze - Mirror	
	ACA00396AAH056			Bronze - Brushed	
	ACA00396AAH057	W/O	Independent Service or Attendant (ETO)	Stainless Steel - Mirror	
	ACA00396AAH058			Stainless Steel - Brushed	
	ACA00396AAH059			Bronze - Mirror	
	ACA00396AAH060			Bronze - Brushed	
	ACA00396AAH061	W/O	Non-Stop	Stainless Steel - Mirror	Non-Stop
	ACA00396AAH062			Stainless Steel - Brushed	
	ACA00396AAH063			Bronze - Mirror	
	ACA00396AAH064			Bronze - Brushed	
ACA00396AAH065	W/O	Call Cancel	Stainless Steel - Mirror	Call Cancel	
ACA00396AAH066			Stainless Steel - Brushed		
ACA00396AAH067			Bronze - Mirror		
ACA00396AAH068			Bronze - Brushed		

SPL 31-AAA25000AAB - ELEVONIC 411, Car Operating Panel



ALL VINTAGES		DESCRIPTION			
REF. No.	PART OR ML	LED	FUNCTION	FINISH	MARKING
1	ACA00396AAH069	W/O	Emergency Stop Push-Pull Button	Stainless Steel - Mirror	
	ACA00396AAH070			Stainless Steel - Brushed	
	ACA00396AAH071			Bronze - Mirror	
	ACA00396AAH072			Bronze - Brushed	
	ACA00396AAH073	W/O	Emergency Stop Push-Pull Button	Stainless Steel - Mirror	
	ACA00396AAH074			Stainless Steel - Brushed	
	ACA00396AAH075			Bronze - Mirror	
	ACA0039SAAH076			Bronze - Brushed	
	ACA00396AAH077	W/O	SES Phase II NYC 1987	Stainless Steel - Mirror	Fire Service Normal
	ACA00396AAH078			Stainless Steel - Brushed	
	ACA00396AAH079			Bronze - Mirror	
	ACA00396AAH080			Bronze - Brushed	
	ACA00396AAH081	W/O	SES Phase II Chicago	Stainless Steel - Mirror	ON Fire OFF Service
	ACA00396AAH082			Stainless Steel - Brushed	
	ACA00396AAH083			Bronze - Mirror	
	ACA00396AAH084			Bronze - Brushed	
ACA00396AAH085	W/O	SES Phase II ANSI	Stainless Steel - Mirror	ON Fire OFF Service	
ACA00396AAH086			Stainless Steel - Brushed		
ACA00396AAH087			Bronze - Mirror		
ACA00396AAH088			Bronze - Brushed		

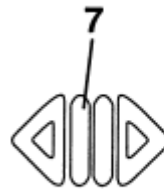
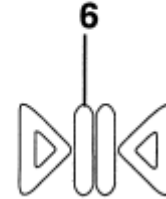
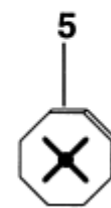
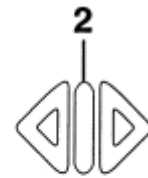
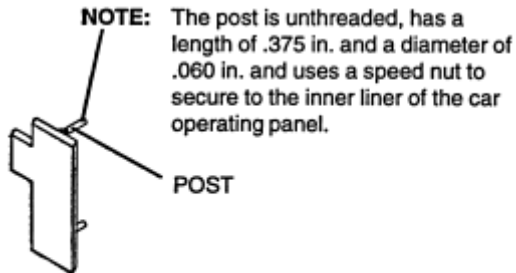


# SPL 31-AAA25000AAB - ELEVONIC 411, Car Operating Panel

## Page 17 - RAISED CHARACTERS

MATERIAL & FINISH
<i>BLK</i> = Black
<i>BR7</i> = Brass, Brushed
<i>BR8</i> = Brass, Mirror
<i>SS4</i> = Stainless Steel, Brushed
<i>SS8</i> = Stainless Steel, Mirror

**NOTE:** When ordering, replace the asterisk (\*) with the three character material/finish designation. Also, add the character designation for floor markings.

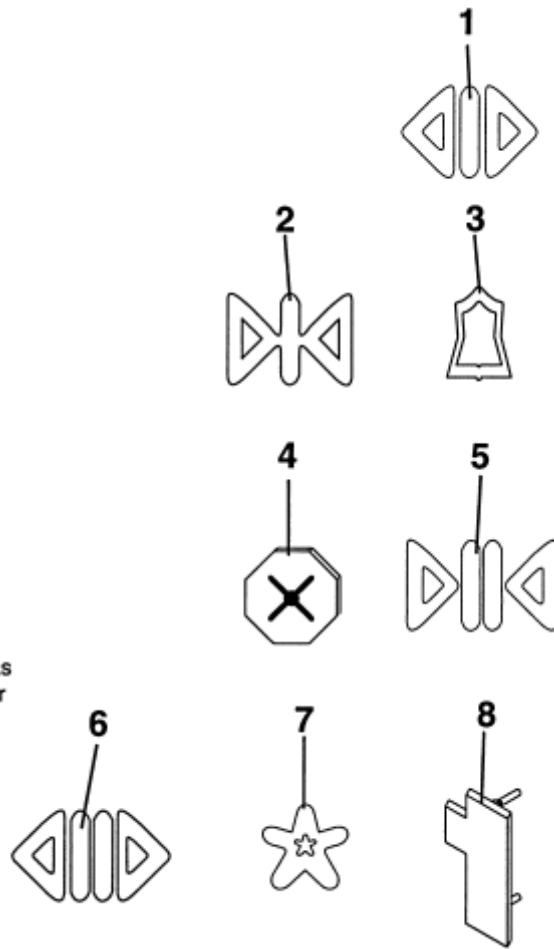
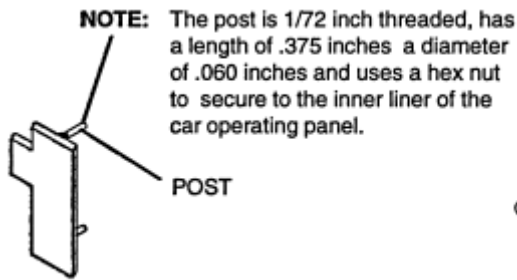


ABA25000AAB		
REF. No.	PART OR ML	DESCRIPTION
		Character Marking
1	AAA428AAA8-***	Dash
2	AAA428AAA6-***	Door Open
3	AAA428AAA7-***	Door Close
4	AAA428AAA3-***	Emergency Call
5	AAA428AAA2-***	Emergency Stop
6	AAA428AAA5-***	Rear Door Close
7	AAA428AAA4-***	Rear Door Open
8	AAA428AAA9-***	Main Landing
9	AAA428AAA1-***.*	Numeral/Letter. Replace the (-*) with the numeral/letter raised character to be ordered.

# SPL 31-AAA25000AAB - ELEVONIC 411, Car Operating Panel

MATERIAL & FINISH
<i>BLK</i> = Black
<i>BR7</i> = Brass, Brushed
<i>BR8</i> = Brass, Mirror
<i>SS4</i> = Stainless Steel, Brushed
<i>SS8</i> = Stainless Steel, Mirror

**NOTE:** When ordering, replace the asterisk (\*) with the three character material/finish designation. Also, add the character designation for floor markings.

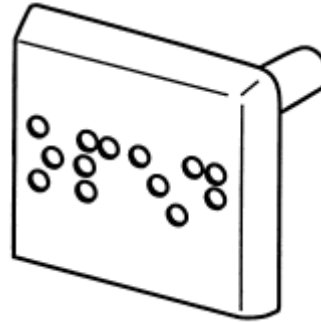


REF. No.	ABB25000AAB ABC25000AAB PART OR ML	DESCRIPTION
		<b>Character Marking</b>
1	AAA428J1-***-IDO	Door Open
2	AAA428J1-***- IDC	Door Close
3	AAA428J1-***-IALARM	Emergency Call
4	AAA428J1-***-ISTOP	Emergency Stop
5	AAA428J1-***-RDC	Rear Door Close
6	AAA428J1-***-RDO	Rear Door Open
7	AAA428J1-***-ISTAR	Main Landing
8	AAA428J1-***-*	Numeral/Letter. Replace the (-*) with the numeral/letter raised character to be ordered.

Page 19 - BRAILLE PLATE

MATERIAL & FINISH
<i>BLK = Black</i>
<i>BR7 = Brass, Brushed</i>
<i>BR8 = Brass, Mirror</i>
<i>SS4 = Stainless Steel, Brushed</i>
<i>SS8 = Stainless Steel, Mirror</i>

**NOTE:** When ordering, replace the asterisk (\*) with the three character material/finish designation. Also, add the character designation for floor markings.

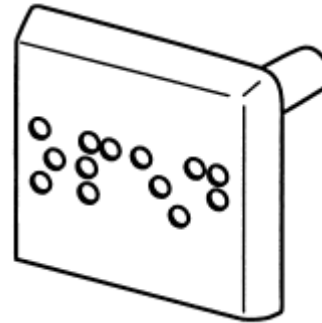


ALL VINTAGES	
PART NO.	MARKING
AAA102SC1-***-A	A
AAA102SC1-***-B	B
AAA102SC1-***-BR	BR
AAA102SC1-***-B1	B1
AAA102SC1-***-B2	B2
AAA102SC1-***-C	C
AAA102SC1-***-E	E
AAA102SC1-***-G	G
AAA102SC1-***-GR	GR
AAA102SC1-***-G1	G1
AAA102SC1-***-G2	G2
AAA102SC1-***-G3	G3
AAA102SC1-***-L	L
AAA102SC1-***-LF	LF
AAA102SC1-***-LG	LG
AAA102SC1-***-LL	LL
AAA102SC1-***-LP	LP
AAA102SC1-***-LR	LR
AAA102SC1-***-L1	L1

ALL VINTAGES	
PART NO.	MARKING
AAA102SC1-***-L2	L2
AAA102SC1-***-M	M
AAA102SC1-***-ML	ML
AAA102SC1-***-MR	MR
AAA102SC1-***-P	P
AAA102SC1-***-PH	PH
AAA102SC1-***-PL	PL
AAA102SC1-***-P1	P1
AAA102SC1-***-P2	P2
AAA102SC1-***-P3	P3
AAA102SC1-***-P4	P4
AAA102SC1-***-P5	P5
AAA102SC1-***-P6	P6
AAA102SC1-***-R	R
AAA102SC1-***-RC	RC
AAA102SC1-***-RF	RF
AAA102SC1-***-RR	RR
AAA102SC1-***-S	S
AAA102SC1-***-SS	SS

MATERIAL & FINISH
<i>BLK</i> = Black
<i>BR7</i> = Brass, Brushed
<i>BR8</i> = Brass, Mirror
<i>SS4</i> = Stainless Steel, Brushed
<i>SS8</i> = Stainless Steel, Mirror

**NOTE:** When ordering, replace the asterisk (\*) with the three character material/finish designation. Also, add the character designation for floor markings.

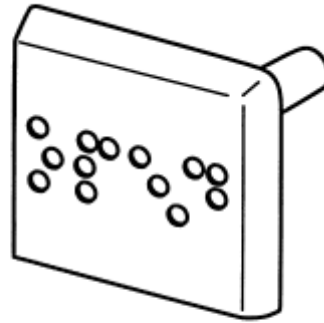


ALL VINTAGES	PART NO.	MARKING
	AAA102SC1-***-UG	UG
	AAA102SC1-***-UL	UL
	AAA102SC1-***-UP	UP
	AAA102SC1-***-1	1
	AAA102SC1-***-IR	IR
	AAA102SC1-***-10	10
	AAA102SC1-***-11	11
	AAA102SC1-***-12	12
	AAA102SC1-***-13	13
	AAA102SC1-***-14	14
	AAA102SC1-***-15	15
	AAA102SC1-***-16	16
	AAA102SC1-***-17	17
	AAA102SC1-***-18	18
	AAA102SC1-***-19	19
	AAA102SC1-***-2R	2R
	AAA102SC1-***-20	20
	AAA102SC1-***-21	21
	AAA102SC1-***-22	22
	AAA102SC1-***-23	23
	AAA102SC1-***-24	24

ALL VINTAGES	PART NO.	MARKING
	AAA102SC1-***-25	25
	AAA102SC1-***-26	26
	AAA102SC1-***-27	27
	AAA102SC1-***-28	28
	AAA102SC1-***-29	29
	AAA102SC1-***-3	3
	AAA102SC1-***-3R	3R
	AAA102SC1-***-30	30
	AAA102SC1-***-31	31
	AAA102SC1-***-32	32
	AAA102SC1-***-4	4
	AAA102SC1-***-4R	4R
	AAA102SC1-***-5	5
	AAA102SC1-***-5R	5R
	AAA102SC1-***-6	6
	AAA102SC1-***-6R	6R
	AAA102SC1-***-7	7
	AAA102SC1-***-7R	7R
	AAA102SC1-***-8	8
	AAA102SC1-***-9	9
	AAA102SC1-***-2	2

MATERIAL & FINISH
<i>BLK</i> = Black
<i>BR7</i> = Brass, Brushed
<i>BR8</i> = Brass, Mirror
<i>SS4</i> = Stainless Steel, Brushed
<i>SS8</i> = Stainless Steel, Mirror

**NOTE:** When ordering, replace the asterisk (\*) with the three character material/finish designation. Also, add the character designation for floor markings.



**76CE16 Speed Nut used to attach  
AAA1025SC Type Braille Plates**

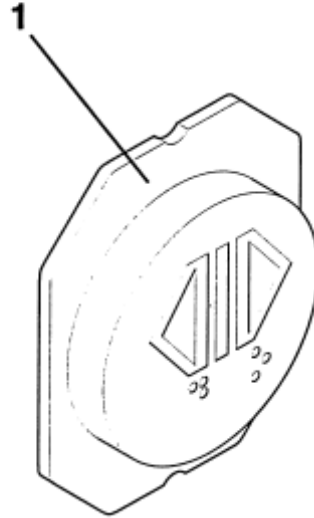
ALL VINTAGES	
PART NO.	MARKING
AAA102SC2-***	Open Door
AAA102SC3-***	Close Door
AAA102SC4-***	Emergency Stop
AAA102SC5-***	Alarm or Emergency Call
AAA102SC6-***	Open Rear Door
AAA102SC7-***	Close Rear Door

# SPL 31-AAA2500AAB - ELEVONIC 411, Car Operating Panel

## Page 22 - RAISED CHARACTER

MATERIAL & FINISH
<i>BLK</i> = Black
<i>BR7</i> = Brass, Brushed
<i>BR8</i> = Brass, Mirror
<i>SS4</i> = Stainless Steel, Brushed
<i>SS8</i> = Stainless Steel, Mirror

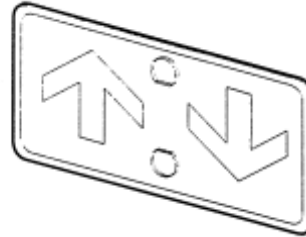
**NOTE:** When ordering, replace the asterisk (\*) with the three character material/finish designation. Also, add the character designation for floor markings.



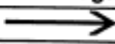



REF. No.	ABB2500AAB	DESCRIPTION
	ABC2500AAB	
	PART OR ML	
	AAA102WL11-***	Alarm, w/Braille
	AAA102WL4-***	Alarm, w/o Braille
	AAA102WL14-***	Door Close, w/Braille
	AAA102WL7-***	Door Close, w/o Braille
	AAA102WL13-***	Door Open, w/Braille
	AAA102WL6-***	Door Open, w/o Braille
	AAA102WL12-***	Emergency Stop, w/Braille
1	AAA102WL5-***	Emergency Stop, w/o Braille
	AAA102WL2-***.*	Floor Number, w/Braille
	AAA102WL1-***.*	Floor Number, w/o Braille
	AAA102WL10-***	Main Landing w/Fl. Mark, w/Braille
	AAA102WL3-***	Main Landing w/Fl. Mark, w/o Braille
	AAA102WL16-***	Rear Door Close, w/Braille
	AAA102WL9-***	Rear Door Close, w/o Braille
	AAA102WL15-***	Rear Door Open, w/Braille
	AAA102WL8-***	Rear Door Open, w/o Braille

SPL 31-AAA25000AAB - ELEVONIC 411, Car Operating Panel

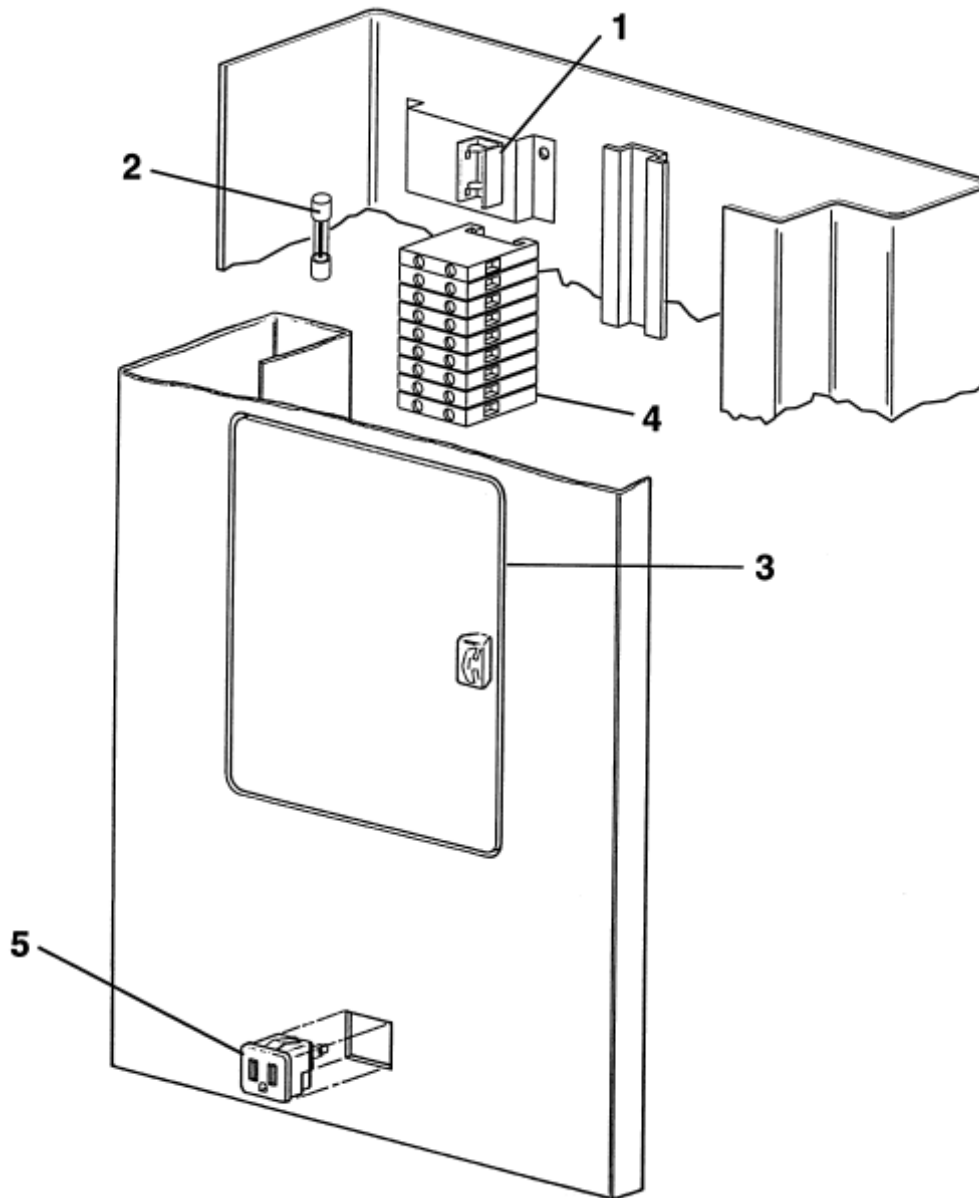
Page 23 - TYPE 449BJ MASK



ALL VINTAGES		
PART OR M.L.	JEWEL MARKING	MODULE
449BJ1	(BLANK)	
449BJ4	Further Demand	Attendant Service
449BJ22	Appel Palier	Attendant Service – French
449BJ7		Direction Arrows
449BJ48	Lower Deck Being Service	Double Deck Elevator
449BJ49	Upper Deck Being Service	Double Deck Elevator
449BJ50	All Floors Deck Being Service	Double Deck Elevator
449BJ51	Odd Deck Being Service	Double Deck Elevator
449BJ52	Even Deck Being Service	Double Deck Elevator
449BJ53	Lower Deck on Independent Service	Double Deck Elevator
449BJ54	Upper Deck on Independent Service	Double Deck Elevator
449BJ3	Please Exit When Doors Open	Emergency Service
449BJ12	Priere De Sortir Au Prochain Arret	Emergency Service – French
449BJ14	Feuerwehrbetrieb Bitte Aussteigen	Firemen's Service – German
449BJ8		Full Car/Overload
449BJ16	Sonderfahrt Bitte Aussteigen	Hospital Service – German
449BJ9	Priority Service	Priority Service
449BJ18	Volzugsfahrt Bitte Aussteigen	Priority Service – German
449BJ2	Restricted Floor	Secure Access
449BJ20	Acces Reserve	Secure Access – French
449BJ21	Haltestelle Nur Fur Befugte	Secure Access – German
449BJ67		Direction Arrow
449BJ68		SES Phase 1 Firefighter

SPL 31-AAA25000AAB - ELEVONIC 411, Car Operating Panel

Page 24 - CONNECTOR PANEL & TELEPHONE/SERVICE CABINET



ALL VINTAGES		
REF. No.	PART OR ML	DESCRIPTION
1	AAA00180AAD013	Fuse Holder (1 Fuse)
	AAA00180AAD002	Fuse Holder (3 Fuse)
2	AAA375BT14	Fuse, 15A, 250V
	AAA375BR9	Fuse, 2A w/Door Dwell Sensor only
3	TYPE 7144F	Service/Telephone Cabinet, See Also SPL 31-7144F
4	AAA00303AAM003/TB	Terminal Block, (Main COP)
5	6599R1	Utility Outlet