

Series 4 Swing Panel Car Operating Panel

Spare Parts Leaflet

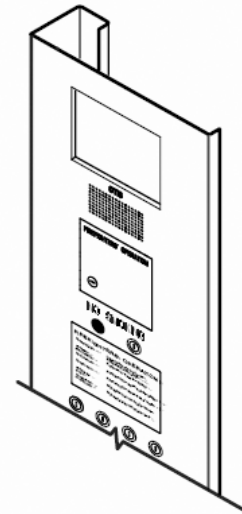
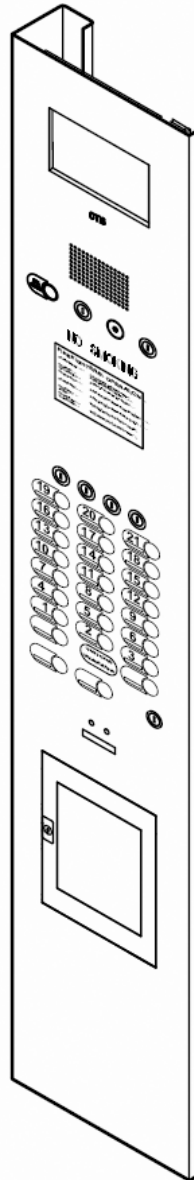
31-AAA25000BT

January 24, 2024 / Page 1 of 27

Vintage tag mounted on upper section of swing return box (not shown).

31	H - AAA25000BT
31	H - AAB25000BT
31	H - AAC25000BT
31	H - AAD25000BT
31	H - ABA25000BT
31	H - ABB25000BT
31	H - ABC25000BT
31	H - ACA25000BT

Series 4 Swing Return Panel
without Firefighter's Cabinet



Series 4 Swing Return Panel
with Firefighter's Cabinet



This document does not contain any technical data subject to EAR or ITAR

SERVICE ENGINEERING
Otis Elevator Company
Bloomfield, Connecticut USA

Unpublished Work—© Otis Elevator Co.; 2024

Leaflet Description

The leaflet describes the lowest replaceable units (LRUs) for a Series 4 car operating panel (COP). The COP began production in 1998 and has had product improvements that affected part interchangeability. Use the vintage information indicated on the COP to aid your parts identification while using this leaflet.

Leaflet Revisions

Date Revised	Subject Matter Expert	Reason for Revision
March 30, 2006	Joseph Zych	New SPL
December 5, 2006	Michael A. Bertini	Update parts numbers on p. 13 and 20.
May 5, 2009	Joseph Zych	Updated cross-references, AAA406CE parts, corrected typos.
February 24, 2010	Joseph Zych	Updated illustration on pages 16–19; added new parts, p. 26.
May 18, 2011	Joseph Zych	Added p/n AAA25300AM1 and related parts on p. 6
December 14, 2011	Joseph Zych	Added new p. 27 with swing return panel part numbers
January 22, 2014	Ali Bozorgzadeh	Added obsolescence NOTE on p. 24
October 12, 2022	Paul Anthony	Added p/n AAA27076JN2 and a NOTE on p. 21
January 24, 2024	Paul Anthony	Added AAA375BY26 to spare for PCB and added retrofit kit AAA718Q with a note for application.

Related Drawings

Drawing No.	Title	Drawing No.	Title
AAA2500BT	Series 4 Swing Return COP	AAB2500BT	Series 4 Swing Return COP
AAC2500BT	Series 4 Swing Return COP	AAD2500BT	Series 4 Swing Return COP
ABA2500BT	Series 4 Swing Return COP	ABC2500BT	Series 4 Swing Return COP
ACA2500BT	Series 4 Swing Return COP	SU16-322	Car Operating Panel – A**2500BT Swing Return Series 4 COP
AAA718Q	Battery, Electric (Kit, Battery Retrofit)		

Related Documents

Document ID	Title
SPL 31-443CA	Lens Fixtures
SPL 31-6410R	Keyswitch: Type 6410R
SPL 31-AAA102SC	<i>Braille Plate</i>
SPL 31-AAA102VB	Instruction Plates
SPL 31-AAA147QY	Engraved Faceplate
SPL 31-AAA23500AK	Micro-Motion III Pushbuttons

(Continued on next page)

Related Documents	
Document ID	Title
SPL 31-AAA23500AQ	<i>Motionless II Pushbutton</i>
SPL 31-AAA23500BY	<i>Luxury Fixture: Double-Insulated Finish Micro-Motion III Pushbutton</i>
SPL 31-AAA23500F	<i>Keyswitch Assemblies: Light Ring & Engraved Collar Version</i>
SPL 31-AAA23500T	<i>Phone Jack Assembly</i>
SPL 31-AAA250G	<i>Advanced Fixtures, Graphic Inserts</i>
SPL 31-AAA250Q	<i>Graphic Inserts: AAA250Q, AAA250R, and AAA250S</i>
SPL 31-AAA25250A	<i>Car Position Indicator (CPI) with Message Indicator Modules (MIM)</i>
SPL 31-AAA25300T	<i>COP Telephone Kit Assembly</i>
SPL 31-AAA406BU	<i>Cabinet Doors for Swing Panel COP</i>
SPL 31-AAA406CE	<i>Door, Fire Cabinet</i>
SPL 31-AAA428AAA	<i>Raised Figures</i>
SPL 31-AAA431AQ	<i>Lock (for Fire Panels)</i>
SPL 31-AAA7069AAR	<i>Jewel Modules, Advanced Fixtures</i>
SPL 31-AAA7144CG	<i>Combination Service and Communication Cabinet</i>
SPL 31-AAA7144CJ	<i>Service Cabinet</i>
SPL 31-AAA7144CK	<i>Firefighters' Cabinet Assembly</i>
SPL 32-AAA23500CH	<i>Micro-Motion III Pushbuttons</i>
SPL 32-ACA23750AAA	<i>Electroluminescent Display Elevonic 411</i>
TIP 20.2-5	<i>COP Emergency Light Battery and Bracket Retrofit Kit Installation</i>
TIP 4.5-6	<i>AAA27076CG Speech Retrofit Kit Installation</i>

Subject Matter Expert

Name	Department
Paul Anthony	OSC Service Engineering

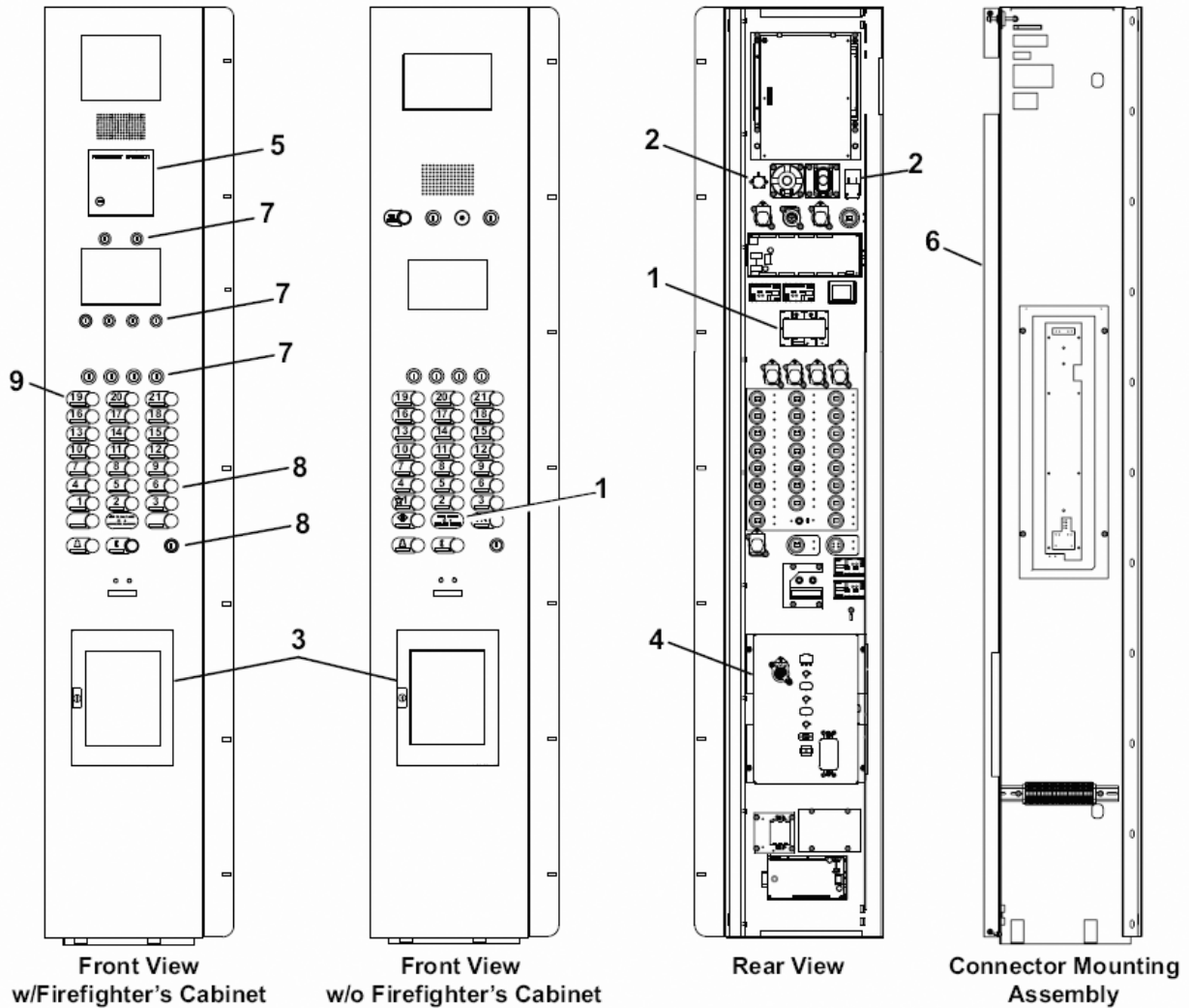
About Spare Parts Leaflets...

This document lists the lowest replaceable units (LRUs) for the standard version of the product. The LRUs are chosen by a team of Otis associates representing engineering and manufacturing.

While goal of this document is to make parts identification as easy as possible, the document cannot be all-inclusive. Elevator and escalator contracts classified as "special" or "custom" are not addressed here. For such contracts, please refer to specified information, the contract folder, TIPS, Field Education Articles, Construction Letters, etc. for further information.

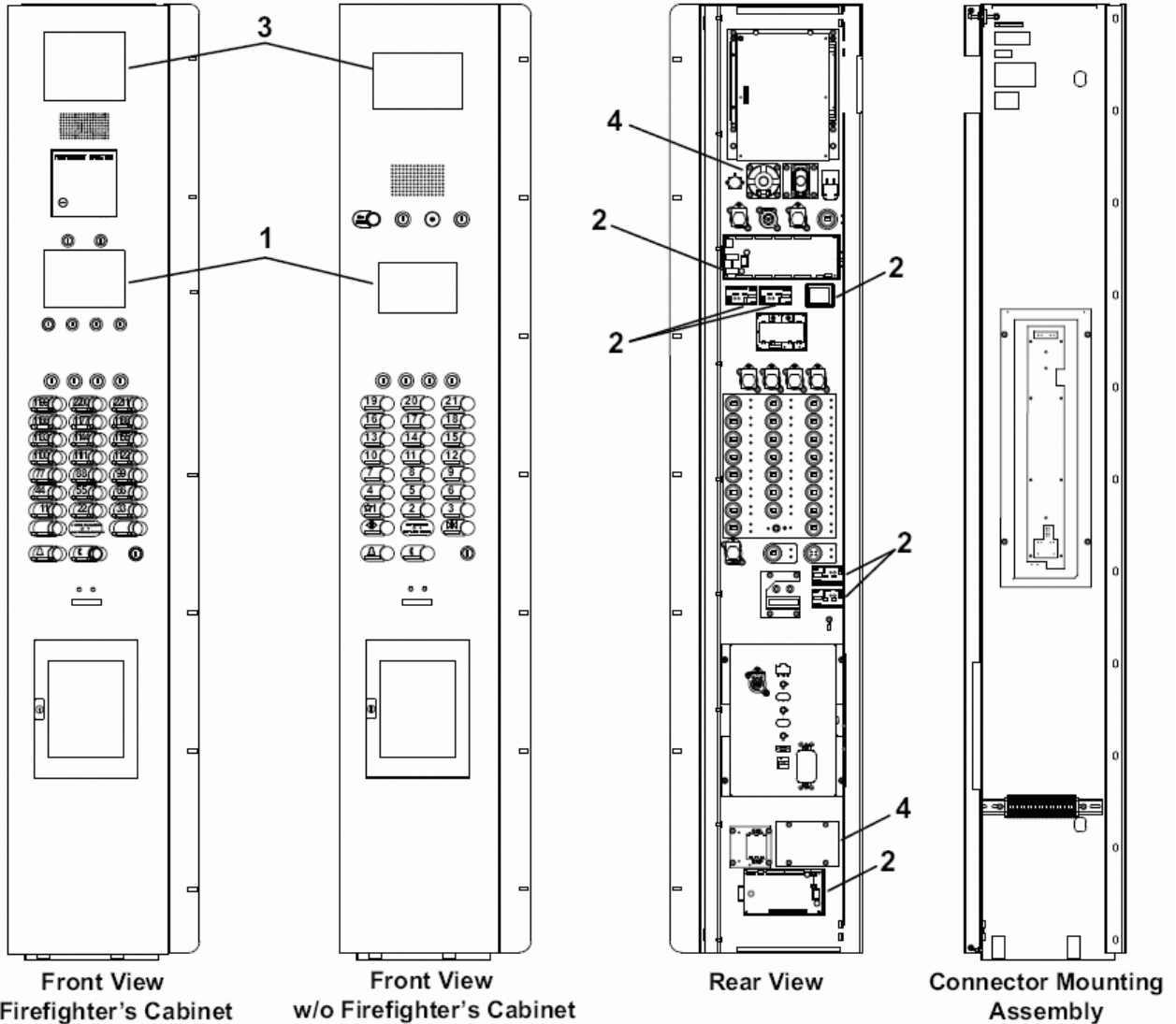
If you have any suggestions about this document, please contact the subject matter expert listed on this page.

Typical Configuration View of COP Vintage ACA25000BT Shown



REF. No.	PAGE	DESCRIPTION
1	6	ADA Phone Assemblies
2	9	Alert Devices
3	22	Cabinet, Combination Telephone/Service
4	20–21	Cabinet, Service
5	16–19	Cabinet, Firefighters' Service
6	24	Connector Assemblies
7	13–14	Fixtures: Keyswitches
	15	Fixtures: Keyswitches, SES Phase II
8	12	Fixtures: Pushbuttons, Jewels, Emerg. Stop Switch, & Firemen's Phone Jack
9	11	Fixtures: Braille Plates, Graphic Characters

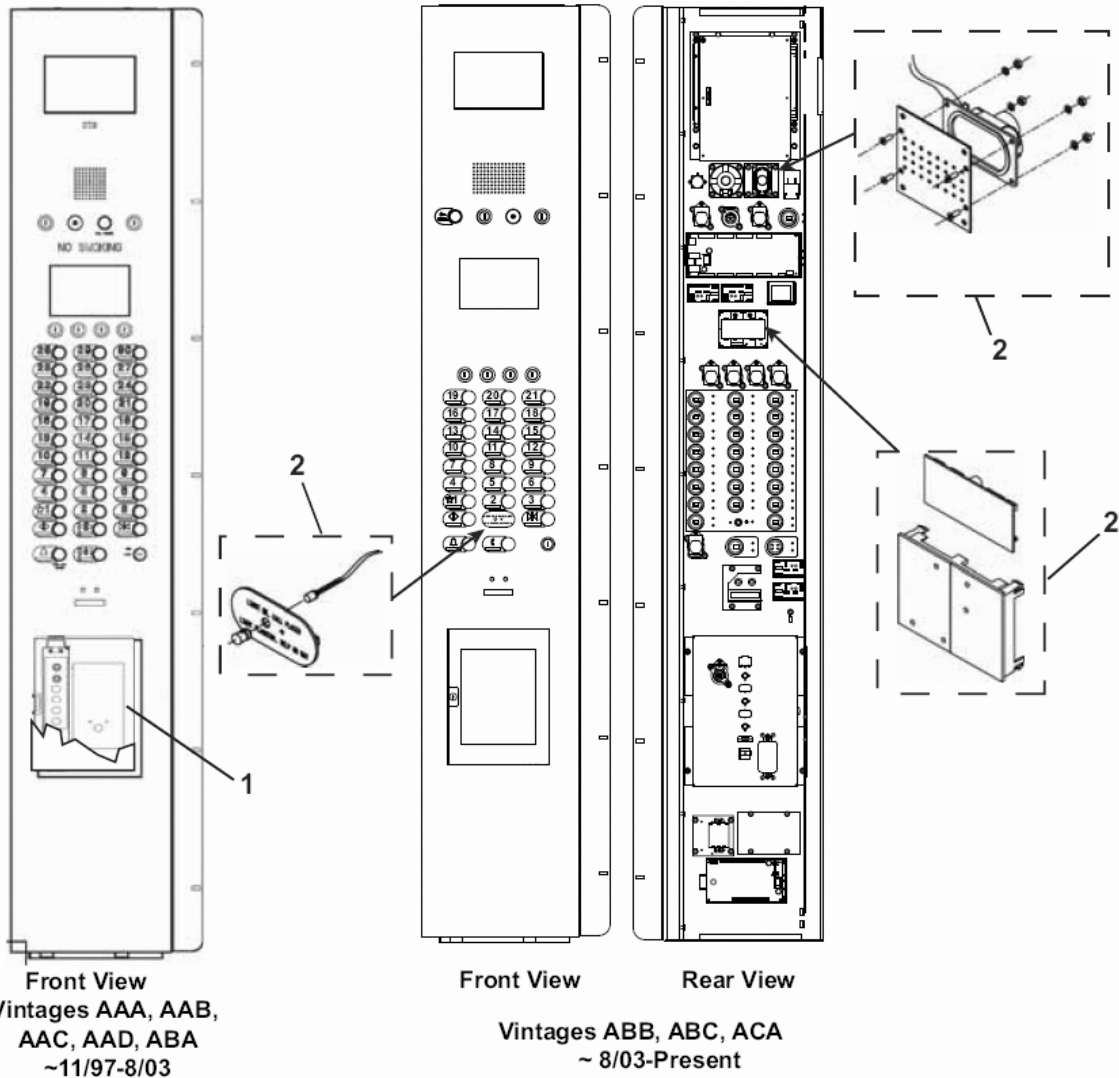
Typical Configuration View of COP Vintage ACA2500BT Shown



REF. No.	PAGE	DESCRIPTION
1	---	Instruction Plate, Firefighter's (type AAA102VB), see SPL 31-AAA102VB
	---	Faceplate, Engraved, Firefighters' Instruction (type AAA147QY), see SPL 31-AAA147QY
2	9, 10	PC Boards: Line Terminator, Remote Station, and New Remote Station Extender
3	7	Position Display: Electroluminescent (EL)
	8	Position Display: Message Indicator Module (MIM) with Car Position Indicator
4	23-24	Speech and Intercom Parts

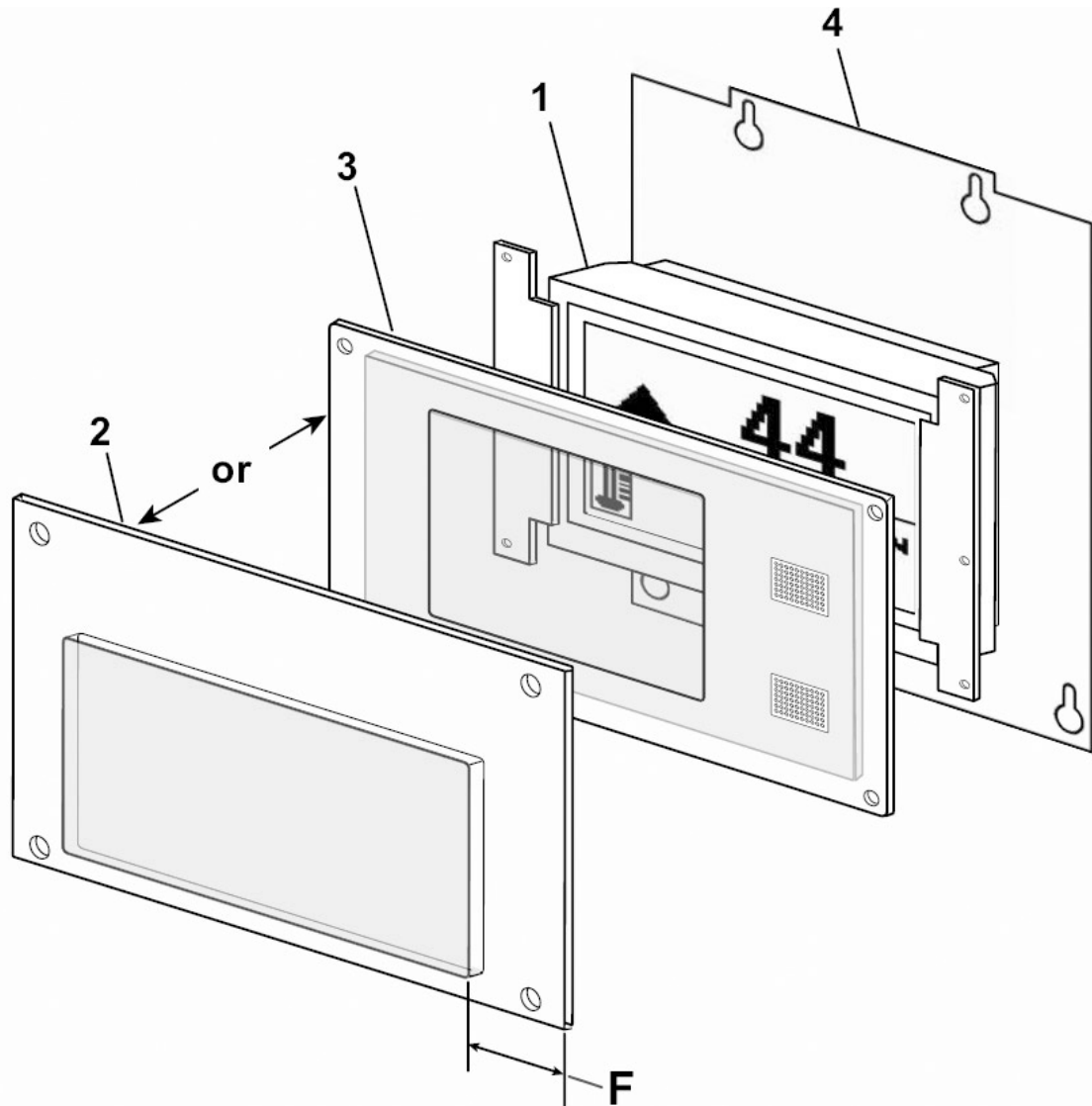
31-AAA2500BT

ADA Phones



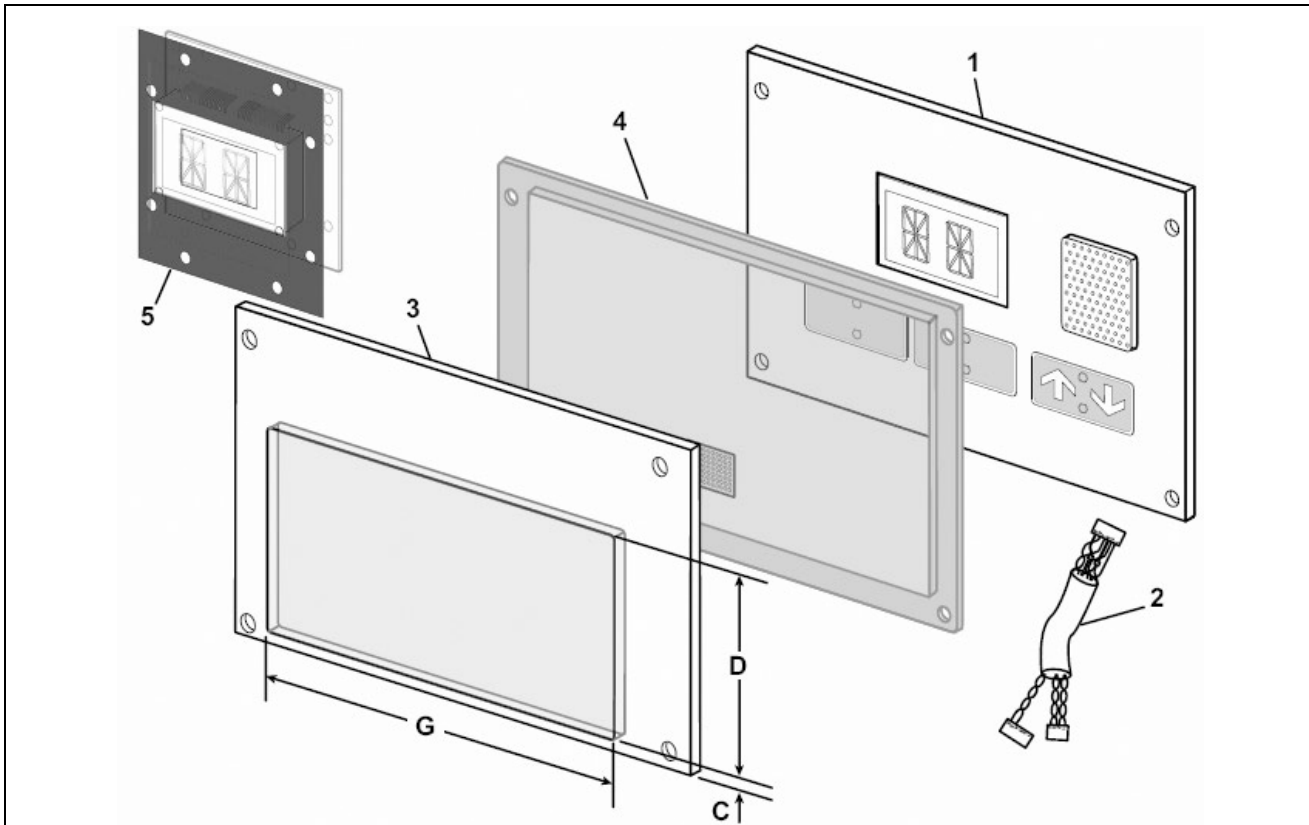
REF. No.	PART No.	DESCRIPTION	VINTAGES
1	---	Assembly, Hands-Free Phone (combination telephone/service cabinet), see p. 21	AAA, AAB, AAC, AAD, ABA
*	AAA25400BQ1	Assembly, Car Prewiring Battery Cable (used with p/n AAA25300AM1)	
*	AAA718J1	Battery, 9V (used with p/n AAA25300AM1)	
*	AAA365K1	Eyelet, Battery Holder Hardware (used with p/n AAA25300AM1)	
*	AAA718J100	Holder, Battery (used with p/n AAA25300AM1)	
2	AAA25300T6	Kit, ADA Phone, English, w/Non-Metallic Graphic, see SPL 31-AAA25300T	ABB, ABC, ACA
	AAA25300AM1	Kit, ADA Phone, Series 4, English, w/Non-Metallic Graphic	
*	AAA25400BP1	RSL, Interface	

* Parts not shown.

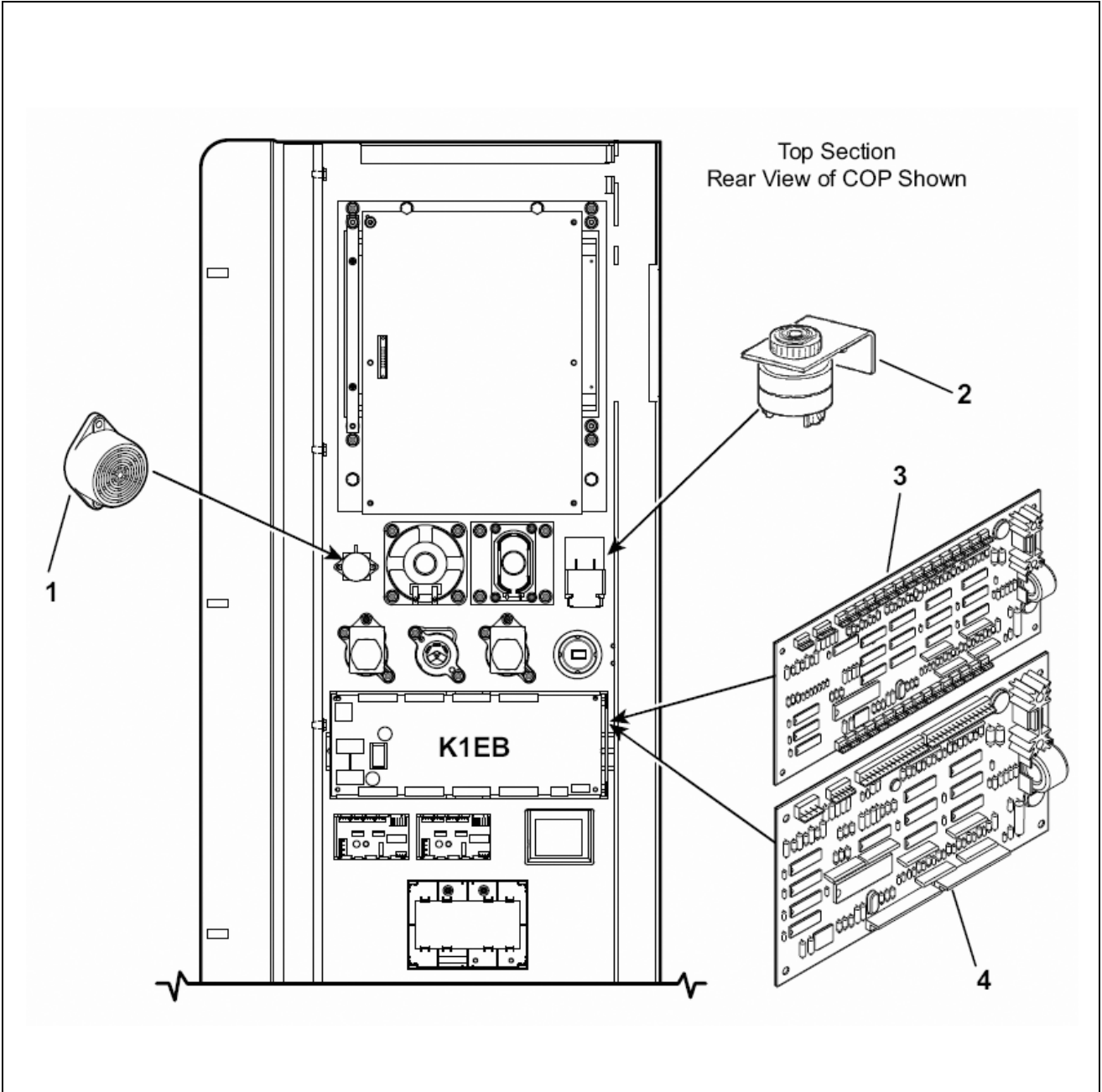


ALL VINTAGES		
REF. No.	PART No.	DESCRIPTION
1	---	Assembly, Electro-Luminescent (EL) Display, see SPL 32-ACA23750AAA
2	AAA449BT1	Lens, EL Display, W → EL Display w/o Speaker, F = 57.7 mm, see SPL 31-443CA
	AAA449BT9	Lens, EL Display, W → Vertical Mount EL Display PC Board, F = 20.5 mm, see SPL 31-443CA
3	AAA449BR3	Lens, Display (for EL Display), W → EL Display w/Integral Speaker
4	AAA386LAT1	Plate, Cover (for EL display w/vertical board mounting)

Message Indicator Modules with LED or VF Car Position Indicator

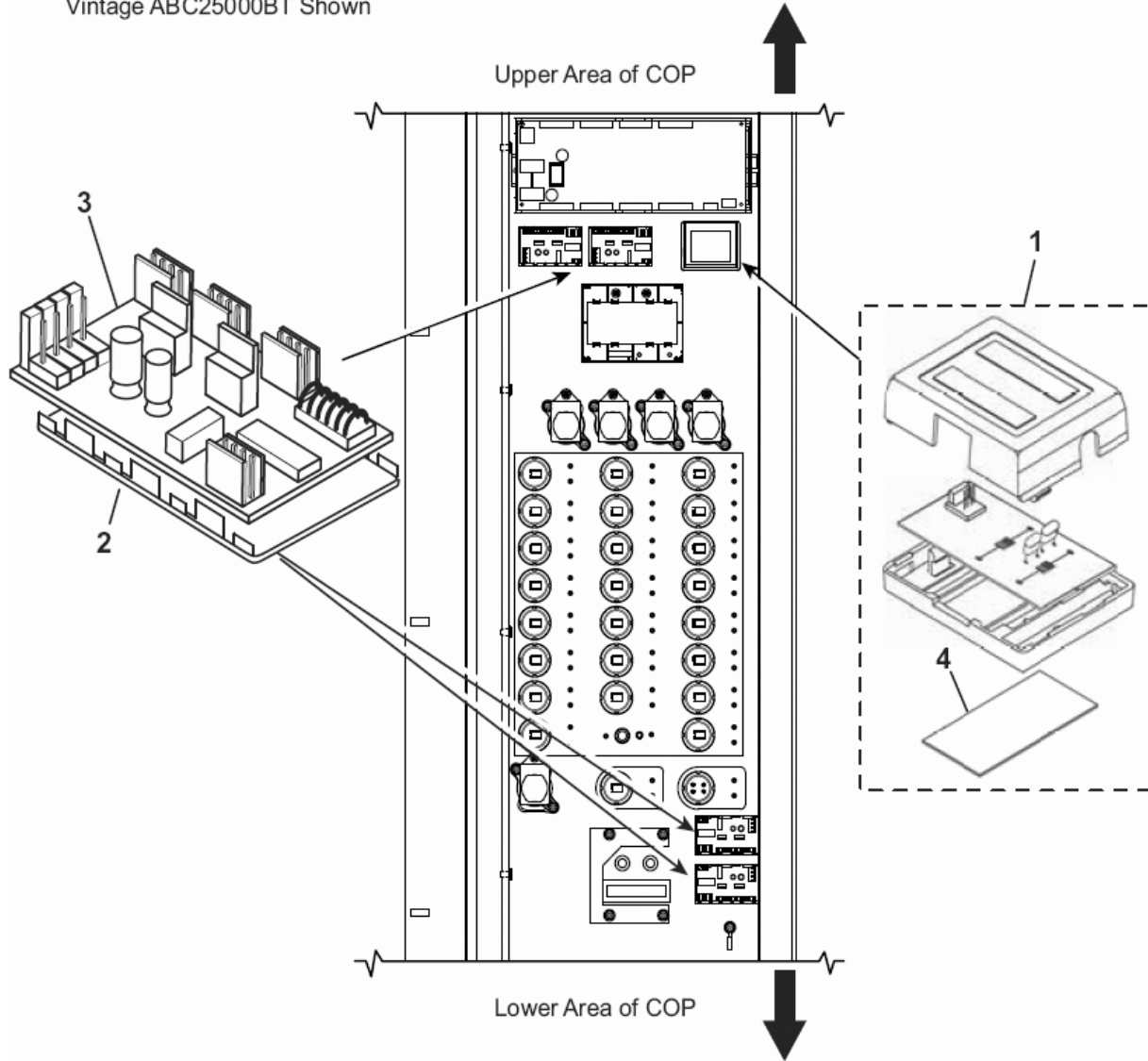


ALL VINTAGES			
REF. No.	PART No.	DESCRIPTION	
1	---	Assembly, Message Indicator Modules (MIM) w/Car Position Indicator, see SPL 31-AAA25250A	
2	AAA174SG7	Cable, Display (condition: if not VF CPI and SVC2004)	
	AAA174SG8	Cable, Display (condition: if not LED CPI and SVC2004)	
	AAA174SG9	Cable, Display (condition: if VF CPI and SVC2004)	
	AAA174SG10	Cable, Display (condition: if LED CPI and SVC2004)	
3	AAA449BT8	Lens, C = 20.5 mm, D = 179.0 mm, G = 219.0 mm, see SPL 31-443CA	Hydraulic or GEM
	AAA449BT7	Lens, C = 55.5 mm, D = 144.0 mm, G = 219.0 mm, see SPL 31-443CA	
	AAA449BT1	Lens, C = 50.3 mm, D = 124.0 mm, G = 199.0 mm, see SPL 31-443CA	Not Hydraulic or GEM
	AAA449BT2	Lens, C = 15.3 mm, D = 159.0 mm, G = 199.0 mm, see SPL 31-443CA	
4	AAA449BV2	Lens (for MIM assembly w/o integral speaker), see SPL 31-443CA	or GEM
	AAA449BV1	Lens (for MIM assembly w/integral speaker), see SPL 31-443CA	
5	AAA449BX1	Mask, Display, W → VF Display	



ALL VINTAGES		
REF. No.	PART No.	DESCRIPTION
1	6219F3	Buzzer (SES Phase I)
2	A6219G2	Device, Sound, Landing Passing Tone
---	AAA180FZ1	Holder, PC Board (for NRSEB-16), Not Shown
---	AAA180FZ2	Holder, PC Board (for NRSEB-32), Not Shown
3	ABA26800TH1	PC Board, NRSEB-32 (K1EB, K2EB)
4	ABA26800TV1	PC Board, NRSEB-16 (K1EB, K2EB)

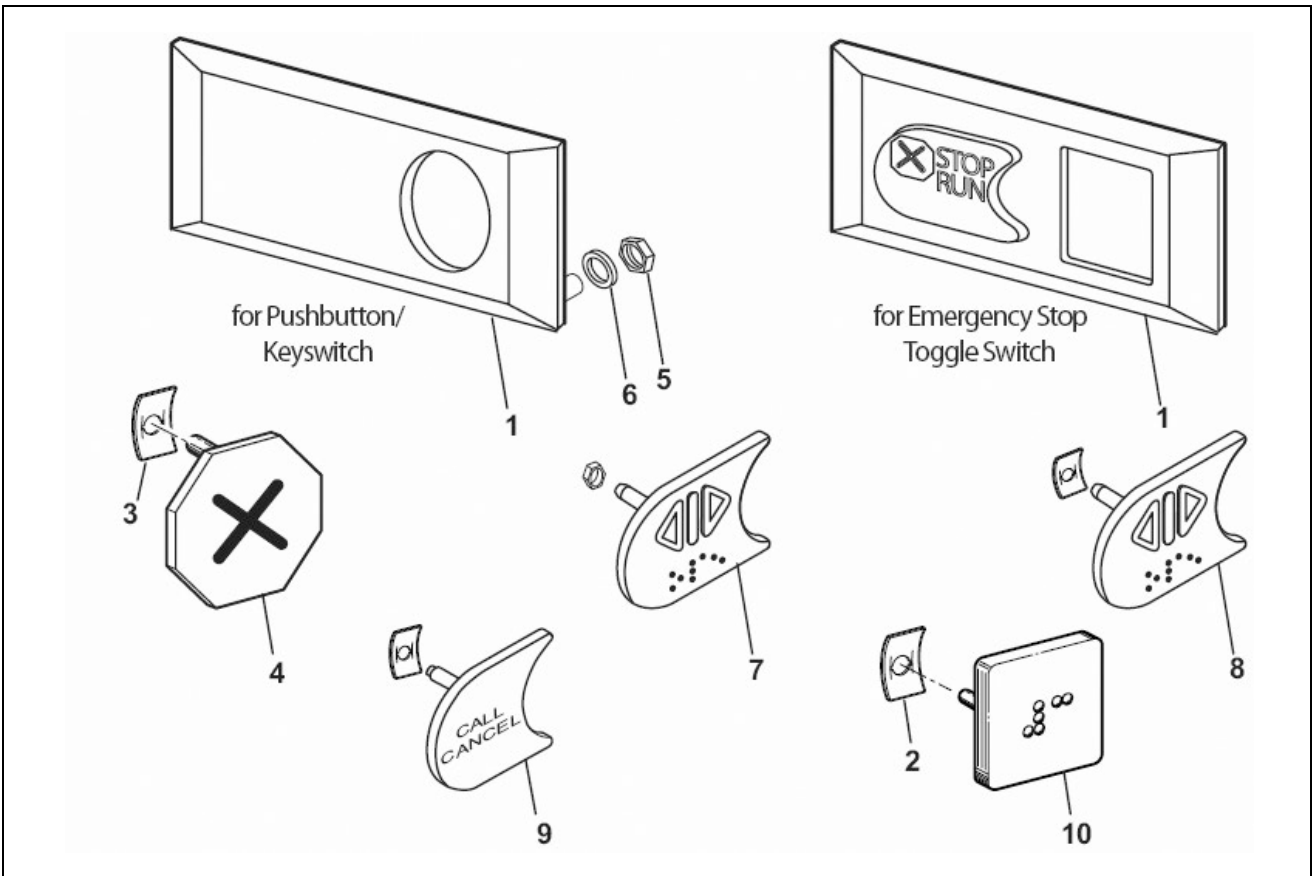
Typical Three-Row COP
Vintage ABC25000BT Shown



ALL VINTAGES		
REF. No.	PART No.	DESCRIPTION
1	AAA26810C2	Assembly, Line Terminator
2	FAA316SL4 FBA316SL1	Bracket, for RS14 PC Board
3	GCA25005B4 GDA25005B1	PC Board, Remote Station, RS14 (K1RS-K4RS)
4	AAA26YC8	Tape (to secure RS14 PC board bracket)

Graphic and Braille Plate

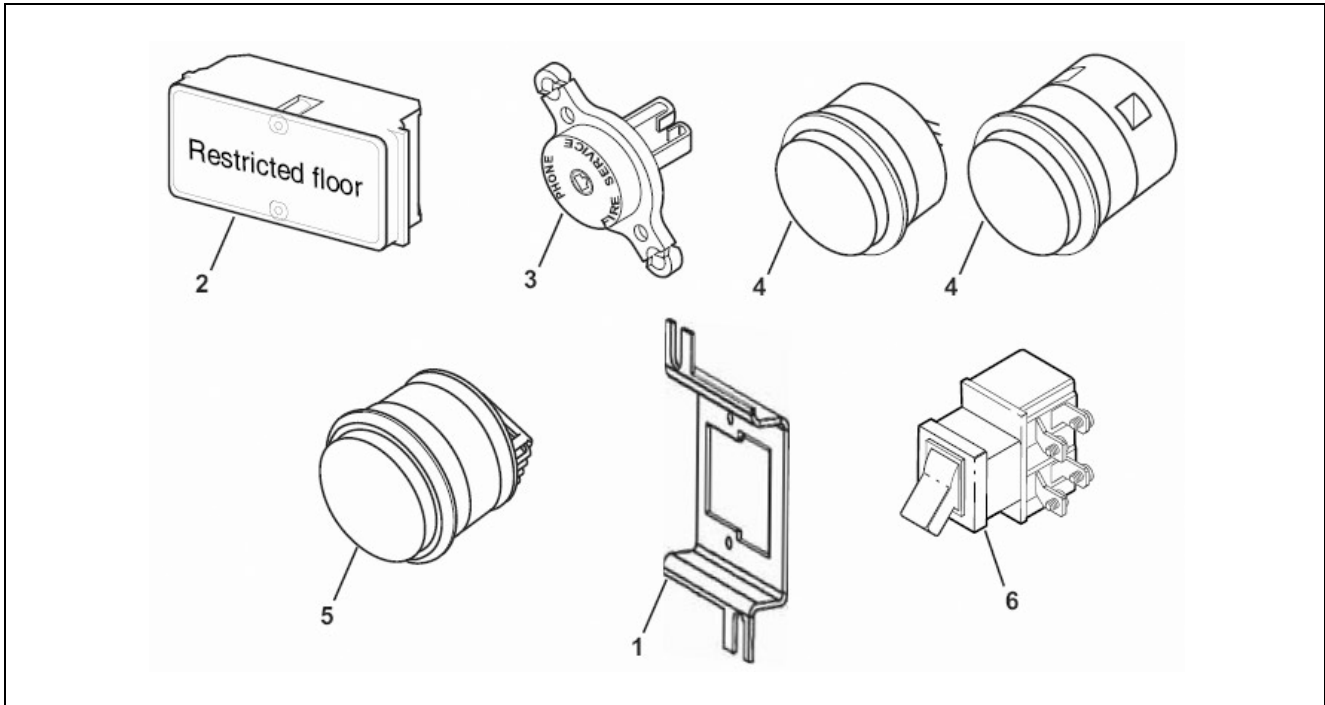
31-AAA2500BT



REF. No.	PART No.	DESCRIPTION	VINTAGES	REFER TO
1	---	Chicklet, Die-Cast, Type AAA396MV	AAA, AAB, AAC, AAD	31-AAA396MV
2	72CE16	Clip, Tinnerman (for type AAA102SC Braille plate)	---	---
3	72CE21	Clip, Tinnerman (for type AAA428J graphic character)	---	---
4	---	Graphic Character, Die-Cast, Pin Mount, Non-ADAAG Compliant, Type AAA428J	All	31-AAA428AAA
5	AAA72HD1	Nut, PAL Self-Locking (for type AAA396MV chicklet)	---	---
6	182H59	O-Ring (for type AAA428J graphic character)	---	---
7	---	Plate, Graphic, Die-Cast, w/2 Self-Threading Nuts, 58 x 35 mm, ADAAG Compliant, Type AAA250K	AAA-AAD, ABA, ABB	31-AAA250G
8	---	Plate, Graphic, Plastic, w/2 Push Nuts, 58 x 35 mm, Type AAA250R	ABC, ACA	31-AAA250Q
	---	Plate, Graphic (Call Cancel), Die-Cast, w/2 Push Nuts, 36.7 x 35 mm, Type AAA250M	AAA, AAB, AAC, AAD, ABB,	31-AAA250Q
9	---	Plate, Graphic (Call Cancel), Plastic, w/2 Push Nuts, 36.7 x 35 mm, Type AAA250Q	ABC, ACA	31-AAA250Q
10	---	Plate, Braille, Die-Cast, Pin Mount, Non-ADAAG Compliant, Type AAA102SC	All	31-AAA102SC

31-AAA2500BT

Pushbuttons



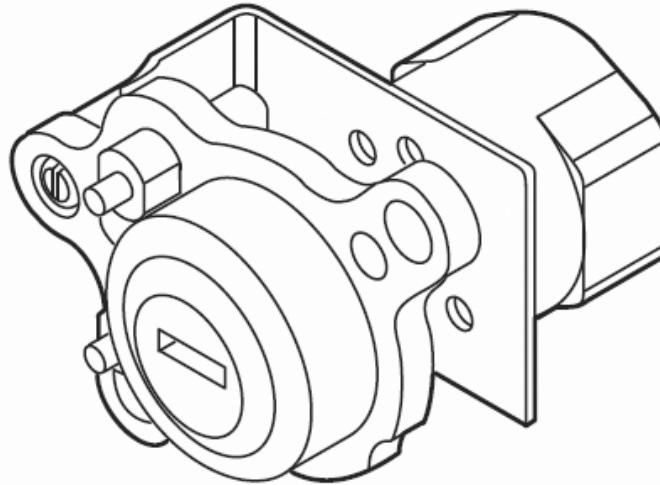
REF. No.	PART No.	DESCRIPTION	VINTAGES	REFER TO	
1	AAA316FDY1	Bracket (for emergency stop switch w/o chicklet)	All	---	
	AAA316FDY2	Bracket (for emergency stop switch with chicklet)		---	
2	---	Jewel, Type AAA7069AAR		31-AAA7069AAR	
3	AAA23500T6	Phone Jack, Fireman's		31-AAA23500T	
4	---	Pushbutton, Micro-Motion III, Type AAA23500AK, see NOTE		ABA, ABB, ABC	31-AAA23500AK 32-AAA23500CH
	---	Pushbutton, Micro-Motion III, Type AAA23500BY, see NOTE		ABA, ABB, ABC	31-AAA23500BY 32-AAA23500CH
	---	Pushbutton, Micro-Motion III, Type AAA23500BZ, see NOTE	ABA, ABB, ABC, ACA	31-AAA23500BY	
	---	Pushbutton, Micro-Motion III, Type AAA23500CC, see NOTE	ACA	31-AAA23500AK 32-AAA23500CH	
	---	Pushbutton, Micro-Motion III, Vandal- Resistant, Type AAA23500AM, see NOTE	All	31-AAA23500AK	
	---	Pushbutton, Micro-Motion III, Type AAA23500CH, see NOTE	ACA	32-AAA23500CH	
5	---	Pushbutton, Motionless II, Type AAA23500AQ	AAA, AAB, AAC, AAD	31-AAA23500AQ	
6	6073F6	Switch, Toggle, Run/Stop (emergency stop)	All	---	

NOTE: 24-volt AAA23500AK and AAA23500BY buttons are being replaced by AAA23500CH buttons. Part number is printed on part. **Do not mix** type AAA250AK or AM with AAA23500BY and BZ.

Fixtures, Keyswitches w/o Engraved Collar

31-AAA25000BT

Keyswitch w/o Engraved Collar

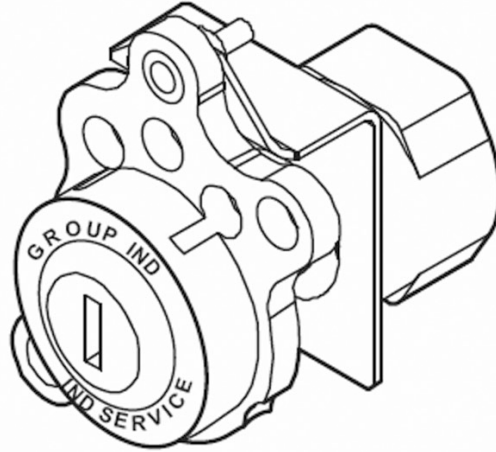


ALL VINTAGES			
KEYSWITCH W/O ENGRAVED COLLAR	KEY (Removable Position)	KEYSWITCH FUNCTION	CONDITION or CODE
AAB23500F8 ABA23500F8	6410W-UTC (Center-CW)	Attendant Service	Not Europe (not in service cabinet)
AAB23500F7 ABA23500F7	6410W-UTD (CCW-Center-CW)	Emergency Hospital Service	---
AAB23500F15 ABA23500F15	6410W-UTA (CCW-Center-CW)	Fan	---
AAB23500F44 ABA23500F11	6410W-UTA (CCW-Center-CW)	In-Car Stop	ANSI
AAB23500F30 ABA23500F30	6410W-UTE (Center-CW)	In-Car Stop	B44
AAB23500F6 ABA23500F6	6410W-UTA (CCW-Center-CW)	Independent Service	Not Europe (not in service cabinet)
AAB23500F20 ABA23500F20	6410W-UTA (CCW-Center-CW)	Independent Service	Europe (not in service cabinet)
AAB23500F12 ABA23500F12	6410W-UTA (CCW-Center-CW)	Inspection Initiation	ANSI, Not Massachusetts (not in service cabinet)
AAB23500F55 ABA23500F55	6410W-UTE (Center)	Inspection Initiation	Massachusetts or B44 (not in service cabinet)
AAB23500F16 ABA23500F16	6410W-UTA (CCW-Center-CW)	Light	---
AAB23500F9 ABA23500F9	6410W-UTB (Center)	Secure Access	---

(Continued on next page)

**Fixtures, Keyswitches
w/ Engraved Collar**

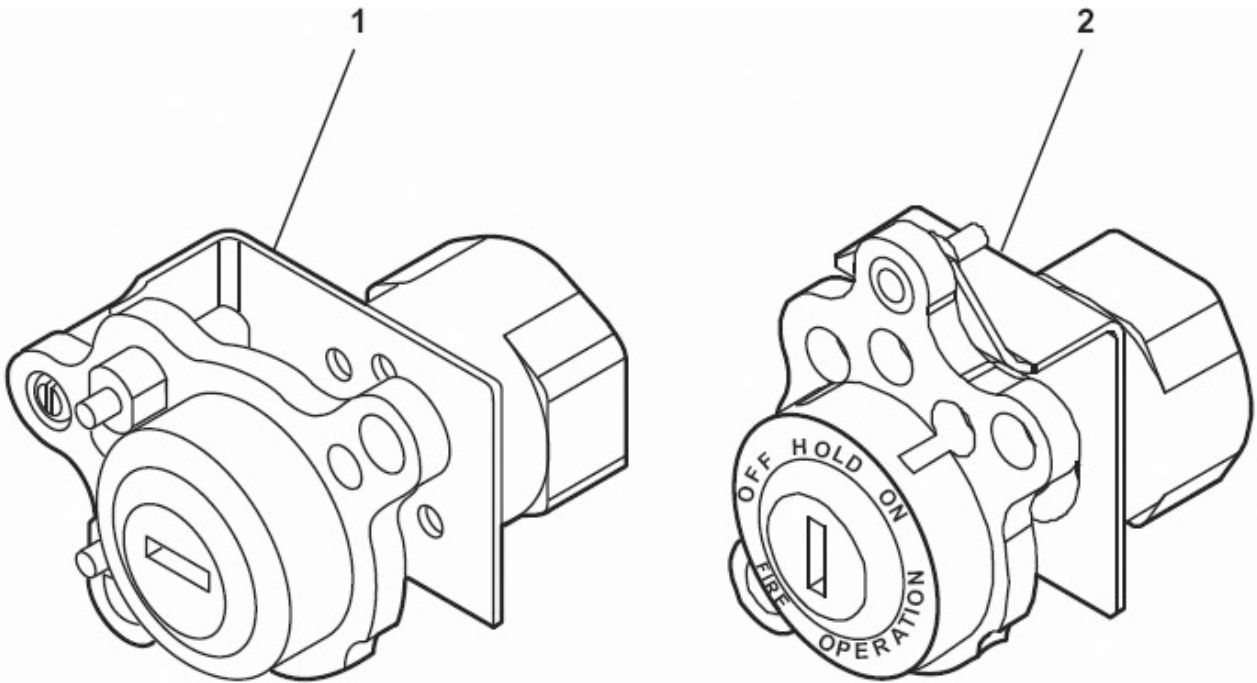
Keyswitch w/ Engraved Collar



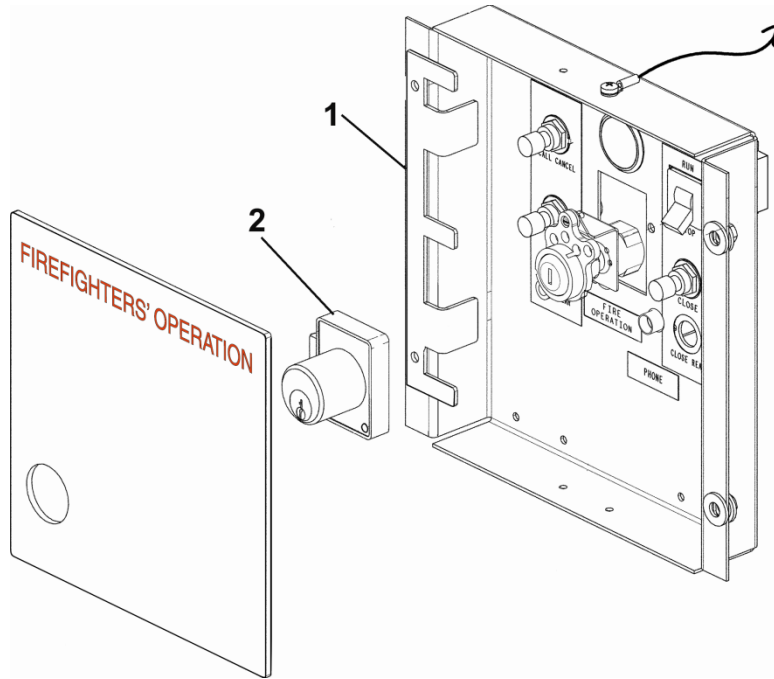
ALL VINTAGES			
KEYSWITCH W/ ENGRAVED COLLAR	KEY (Removable Position)	KEYSWITCH FUNCTION	CONDITION or CODE
ABA23500G92	6410W-UTH (Center-CW)	Access	---
AAB23500G24 ABA23500G21	6410W-UTC (Center-CW)	Attendant Service	Not Europe (not in service cabinet)
AAB23500G7 ABA23500G7	6410W-UTD (CCW-Center-CW)	Emergency Hospital Service	---
ABA23500G96	6410W-UTA (CCW-Center-CW)	Fan	---
AAB23500G63 ABA23500G63	6410W-UTC (Center-CW)	Floor Lockout	---
AAB23500G14 ABA23500G11	6410W-UTA (CCW-Center-CW)	In-Car Stop	ANSI
AAB23500G30 ABA23500G30	6410W-UTE (Center-CW)	In-Car Stop	B44
AAB23500G6 ABA23500G6	6410W-UTA (CCW-Center-CW)	Independent Service	Not Europe (not in service cabinet)
AAB23500G20 ABA23500G20	6410W-UTA (CCW-Center-CW)	Independent Service	Europe (not in service cabinet)
AAB23500G12 ABA23500G12	6410W-UTA (CCW-Center-CW)	Inspection Initiation	ANSI, Not Massachusetts (not in service cabinet)
AAB23500G69 ABA23500G69	6410W-UTE (Center-CW)	Inspection Initiation	Massachusetts or B44 (not in service cabinet)
AAB23500G16 ABA23500G16	6410W-UTA (CCW-Center-CW)	Light	---
AAB23500G77 ABA23500G77	6410W-UTE (Center)	Secure Access	---

Keyswitches, SES Phase II

31-AAA25000BT



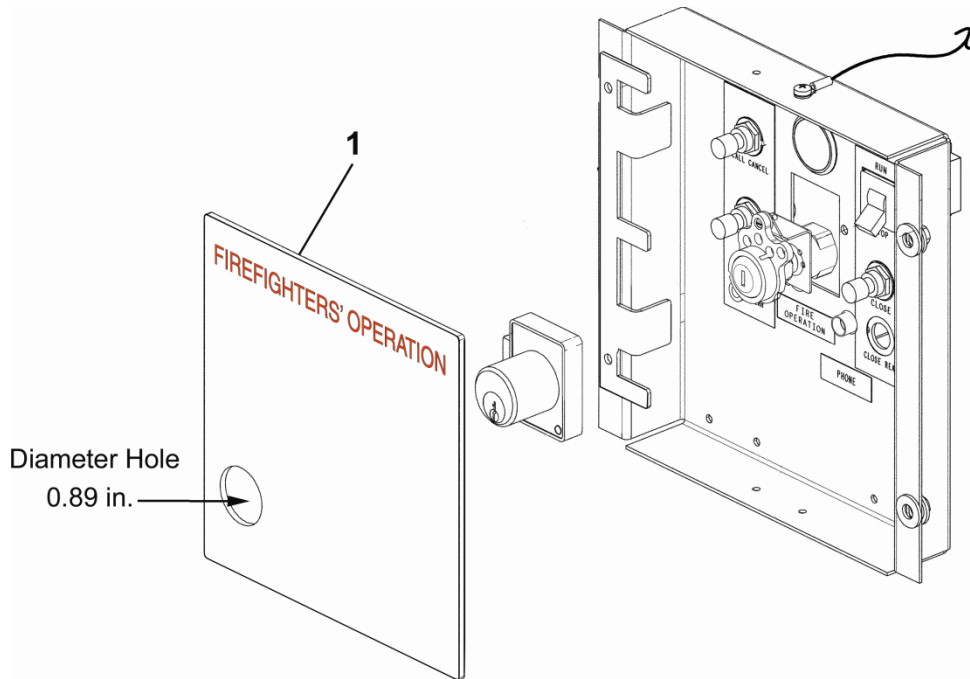
REF No. 1	REF No. 2	CONDITION or CODE	Key (Removable Position)	KEYSWITCH FUNCTION
KEYSWITCH W/O ENGRAVED COLLAR	KEYSWITCH W/ ENGRAVED COLLAR			
AAB23500F	ABA23500G	ANSI (<1987), Pennsylvania, California (Title 8)	See SPL 31-AAA23500F for keyswitch detail parts.	SES Phase II
AAB23500F	ABA23500G	ANSI		
AAB23500F	ABA23500G	ASME A17.1/CAN B44		
AAB23500J	ABA23500K	Connecticut		
---	ABA23500W	Chicago		
	ABA23500W	New York City		
	ABA23500W	Massachusetts, Maine		
	ABA23500AD	South Carolina		
	ABA23500AD	Rhode Island		



REF. No.	DESCRIPTION	CONDITION	VINTAGES	
			AAA-AAD, ABA, ABB	ABC, ACA
1	Assembly, Firefighter's Service Cabinet		---	See SPL 31-AAA7144CK
2	Lock, Firefighter's Cabinet	ASME A17.1-2004	---	See SPL 31-AAA431AQ

Firefighter's Service Cabinet

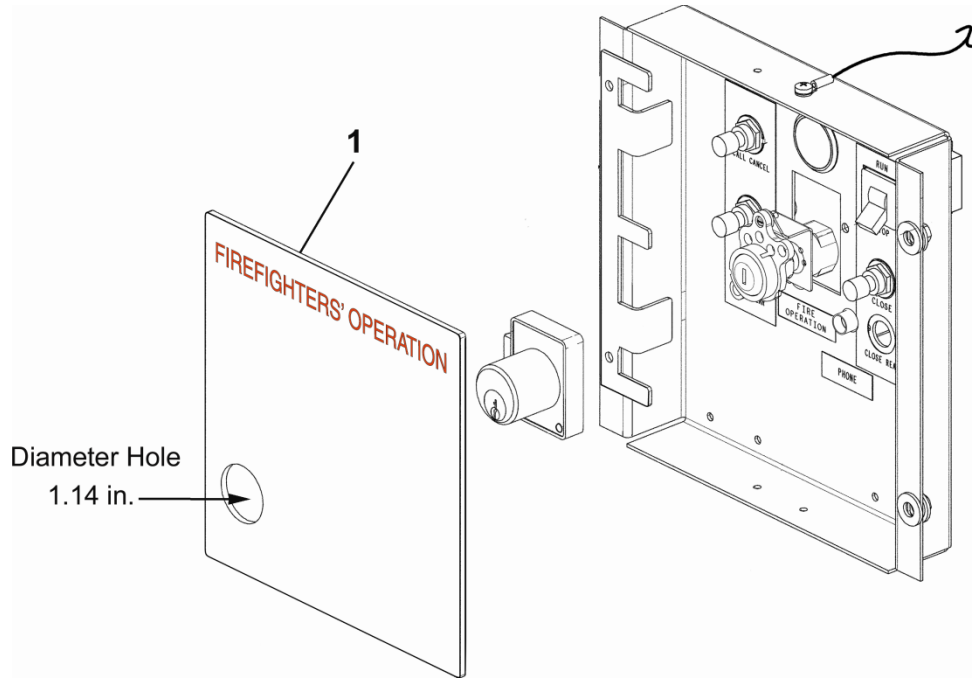
31-AAA25000BT



		VINTAGES ABC, ACA		
REF. No.	PART NO.	DESCRIPTION	FINISH (see NOTE)	CONDITION
1	AAA406CE6	Door,	MF4	Local Code NOT : ME, MA, NYC, CHI, CT, or NJ
	AA406CE11	Door,	MF4	
	AAA406CE8	Door,	SS8	
	AAA406CE13	Door,	SS8	
	AAA406CE9	Door,	BR7	
	AAA406CE14	Door,	BR7	
	AAA406CE10	Door,	BR8	
	AAA406CE15	Door,	BR8	
	AAA406CE61	Door,	FS4	
	AAA406CE62	Door,	FS4	

NOTE: MF4/ SS4 / FS4 = Brushed Stainless; SS8 = Mirror Stainless;
BR7 = Brushed Bronze, BR8 = Mirror Bronze.

(Continued on next page)



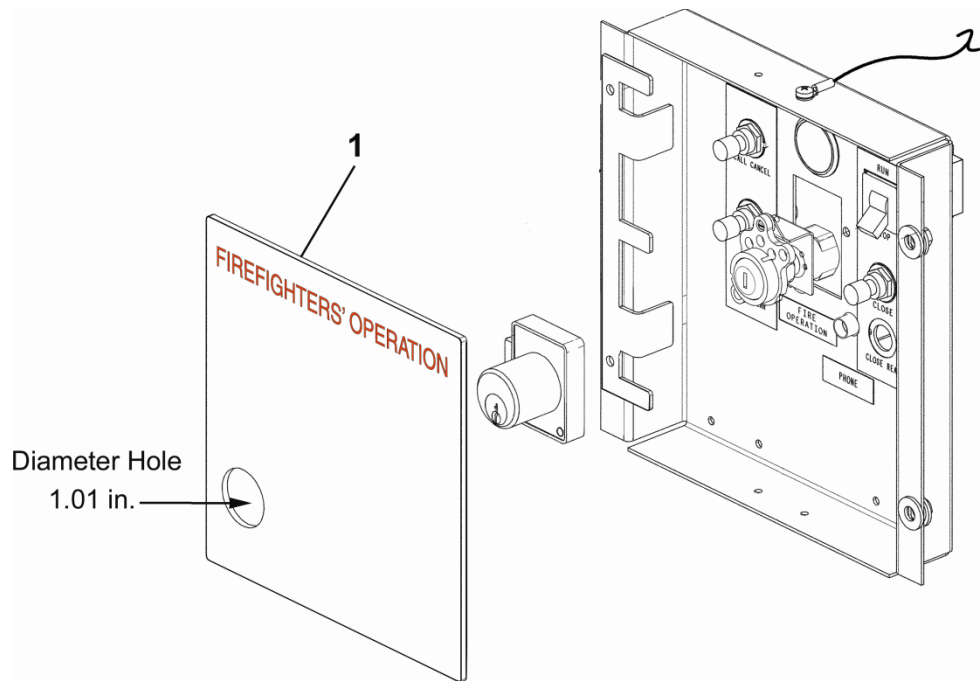
		VINTAGES ABC, ACA		
REF. No.	PART NO.	DESCRIPTION	FINISH (see NOTE)	CONDITION
1	AAA406CE24	Door,	MF4	Local Code = NH, MA, ME, or NJ Used with AAA431AQ4 () and AAA431AQ5 Locks ()
	AAA406CE29	Door,	MF4	
	AAA406CE26	Door,	SS8	
	AAA406CE31	Door,	SS8	
	AAA406CE27	Door,	BR7	
	AAA406CE32	Door,	BR7	
	AAA406CE28	Door,	BR8	
	AAA406CE33	Door,	BR8	
	AAA406CE65	Door,	FS4	
	AAA406CE66	Door,	FS4	

NOTE: MF4/ SS4 / FS4 = Brushed Stainless; SS8 = Mirror Stainless;
BR7 = Brushed Bronze, BR8 = Mirror Bronze.









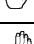
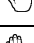
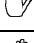
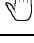
(Continued on next page)

Firefighters' Service Cabinet

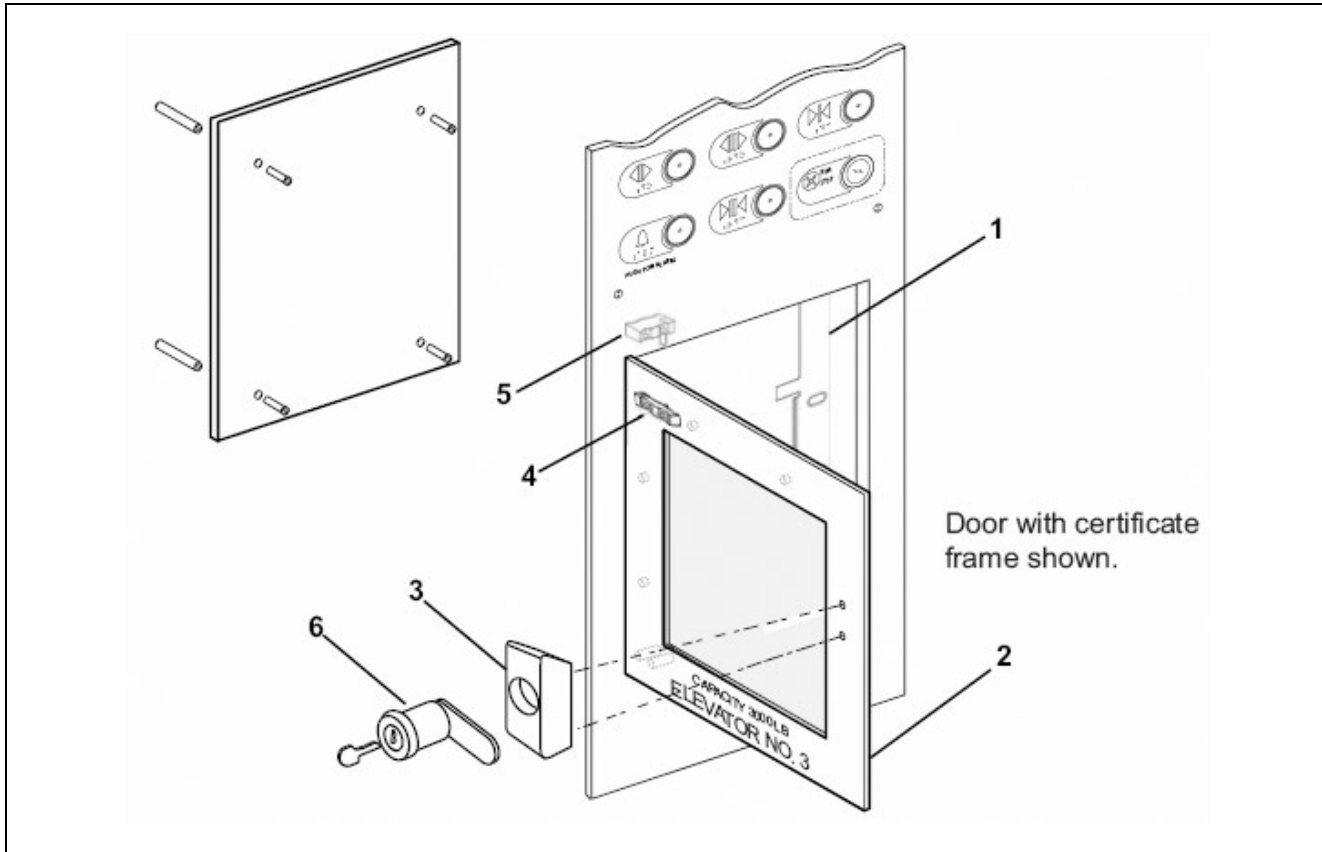
31-AAA2500BT



**VINTAGES
ABC, ACA**

REF. No.	PART NO.	DESCRIPTION	FINISH (see NOTE)	CONDITION
1	AAA406CE42	Door, 	MF4	Local Code = NH, ME, or NJ Used with AAA431AQ15
	AAA406CE47	Door, 	MF4	
	AAA406CE43	Door, 	SS4	
	AAA406CE48	Door, 	SS4	
	AAA406CE44	Door, 	SS8	
	AAA406CE49	Door, 	SS8	
	AAA406CE45	Door, 	BR7	
	AAA406CE50	Door, 	BR7	
	AAA406CE46	Door, 	BR8	
	AAA406CE51	Door, 	BR8	
	AAA406CE69	Door, 	FS4	
	AAA406CE70	Door, 	FS4	

NOTE: MF4/ SS4 / FS4 = Brushed Stainless; SS8 = Mirror Stainless;
BR7 = Brushed Bronze, BR8 = Mirror Bronze.

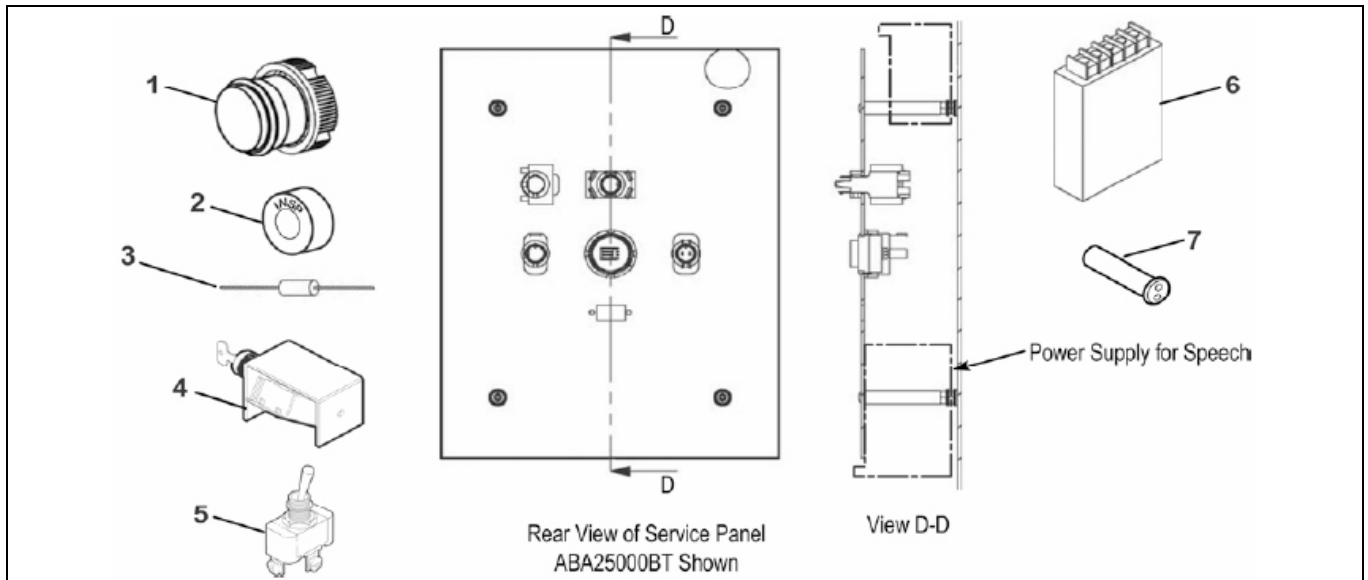


REF. No.	PART No.	DESCRIPTION	VINTAGES
1	AAA316GBS1	Bracket, Door	
2	AAA406BV5	Door, w/Certificate Frame, Stainless Steel, Mill 4 Finish	
	AAA406BV6	Door, w/Certificate Frame, Stainless Steel, Mirror Finish	
	AAA406BV7	Door, w/Certificate Frame, Bronze, Brushed Finish	
	AAA406BV8	Door, w/Certificate Frame, Bronze, Mirror Finish	AAA,
	AAA406BU5	Door, w/o Certificate Frame, Stainless Steel, Mill 4 Finish	AAB,
	AAA406BU6	Door, w/o Certificate Frame, Stainless Steel, Mirror Finish	AAC,
	AAA406BU7	Door, w/o Certificate Frame, Bronze, Brushed Finish	AAD,
	AAA406BU8	Door, w/o Certificate Frame, Bronze, Mirror Finish	ABA
3	388BM3-SS4	Handle, Door, w/Lock Cutout, Stainless Steel, Brushed Finish	
	388BM3-SS8	Handle, Door, w/Lock Cutout, Stainless Steel, Mirror Finish	
	388BM3-BR7	Handle, Door, w/Lock Cutout, Brass, Brushed Finish	
	388BM3-BR8	Handle, Door, w/Lock Cutout, Brass, Mirror Finish	
4	310LW1	Hinge, Door, Female	
5	310LW2	Hinge, Door, Male	
6	431Y1-__	Lock w/2 Keys (specify finish: SS = St. Steel, BR = Brass, DC = Dull Chrome)	

NOTE: See SPL 31-AAA406BU for details.

Service Cabinet Fixtures & Parts

31-AAA25000BT



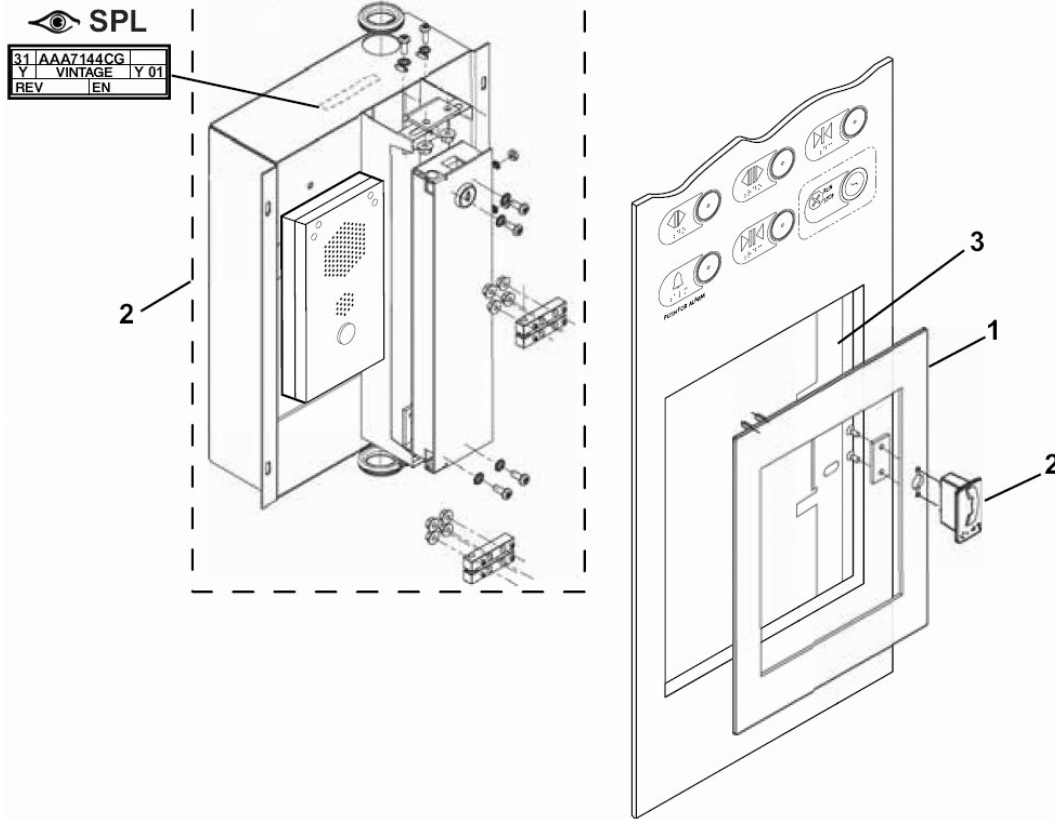
VINTAGES				
AAA- AAD	ABA	ABB	ABC	ACA

REF. No.	PART NO.		DESCRIPTION	FUNCTION	
1	---		Button, See SPL 32-AAA23500CH	Call Cancel or Non-Stop	
2	See SPL 31-6410R		Collars, Type 329J4	---	
3	P226BJ3		Capacitor	1-Sp. Fan	
4	---	6410R3	Service Cabinet Fixtures, See SPL 31-AAA7144CJ	Keyswitch, w/2 Keys	Access
	6410R3	---		Keyswitch, w/2 Keys	Independent
5	6599A7		Service Cabinet Fixtures, See SPL 31-AAA7144CJ	Toggle Switch, DPDT, 6 A, 125 VAC/DC	Attendant
	6599A3			Toggle Switch, SPST, 10 A, 250 VAC	1-Sp. Fan
	6599A11			Toggle Switch, DPDT, 10 A, 250 VAC	2-Sp. Fan
	---	6599A3		Toggle Switch, SPST, 10 A, 250 VAC	Independent
	6599A7	---		Toggle Switch, DPDT, 6 A, 125 VAC/DC	Inspection
	6599A3			Toggle Switch, SPST, 10 A, 250 VAC	Light
6	P621D1 AAA621AX4	AAA621AN9 AAA27076JN2 See NOTE	Power Supply (for Service Tool Port)	---	
7	124DK5	---	Screw, Tamper Resistant, St. Stl. Brushed	---	
	124DK17	---	Screw, Tamper Resistant, St. Stl. Mirror	---	
	124DK6	---	Screw, Tamper Resistant, Brass, Brushed	---	
	124DK18	---	Screw, Tamper Resistant, Brass, Mirror	---	

NOTE: AAA27076JN2 is a retrofit kit. For more information, see TIP 20.2-3, AAA621AN9 and AAA621AN43 Power Supply Replacement Information.

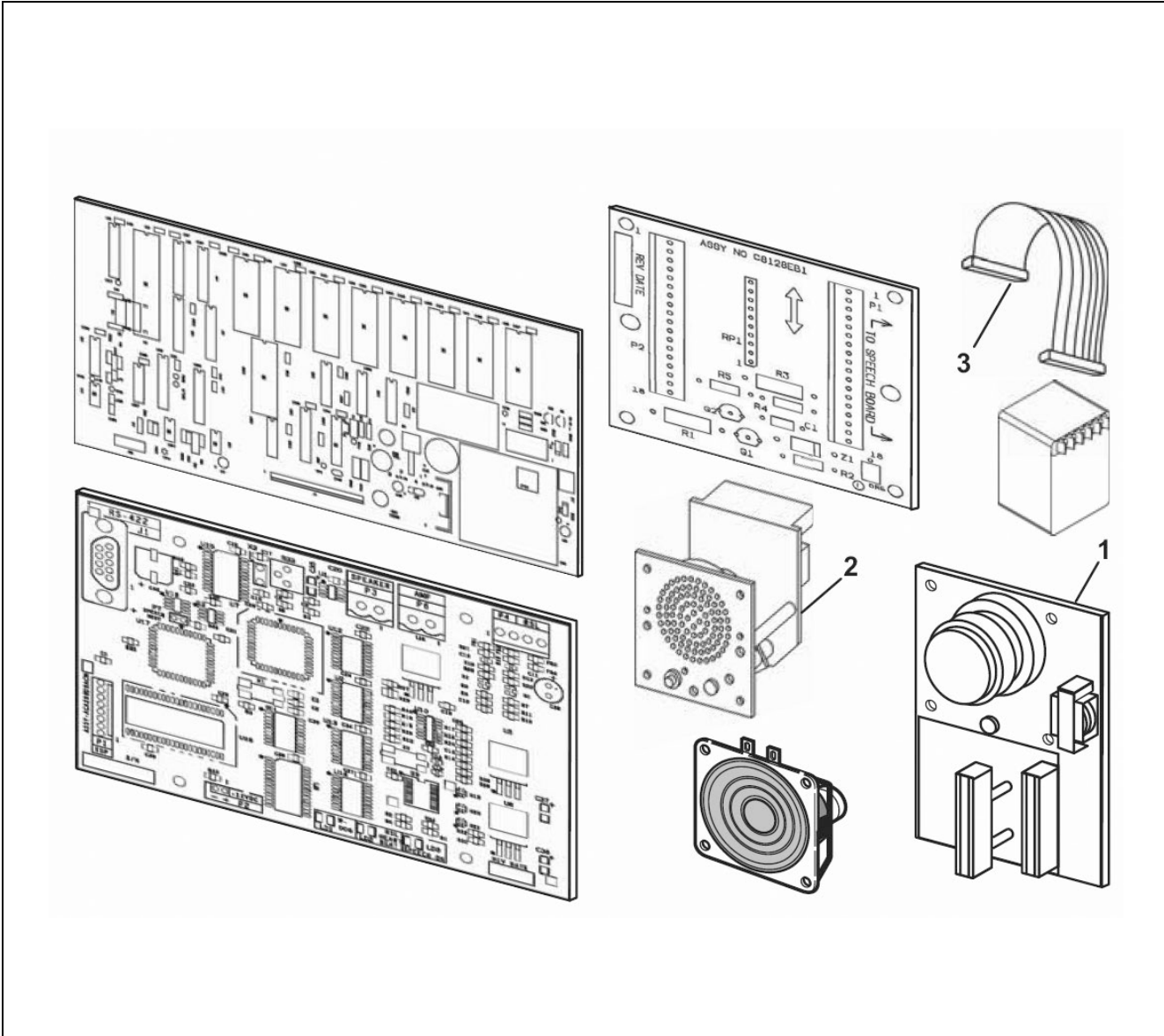
31-AAA2500BT

Comb. Telephone/Service Cabinet



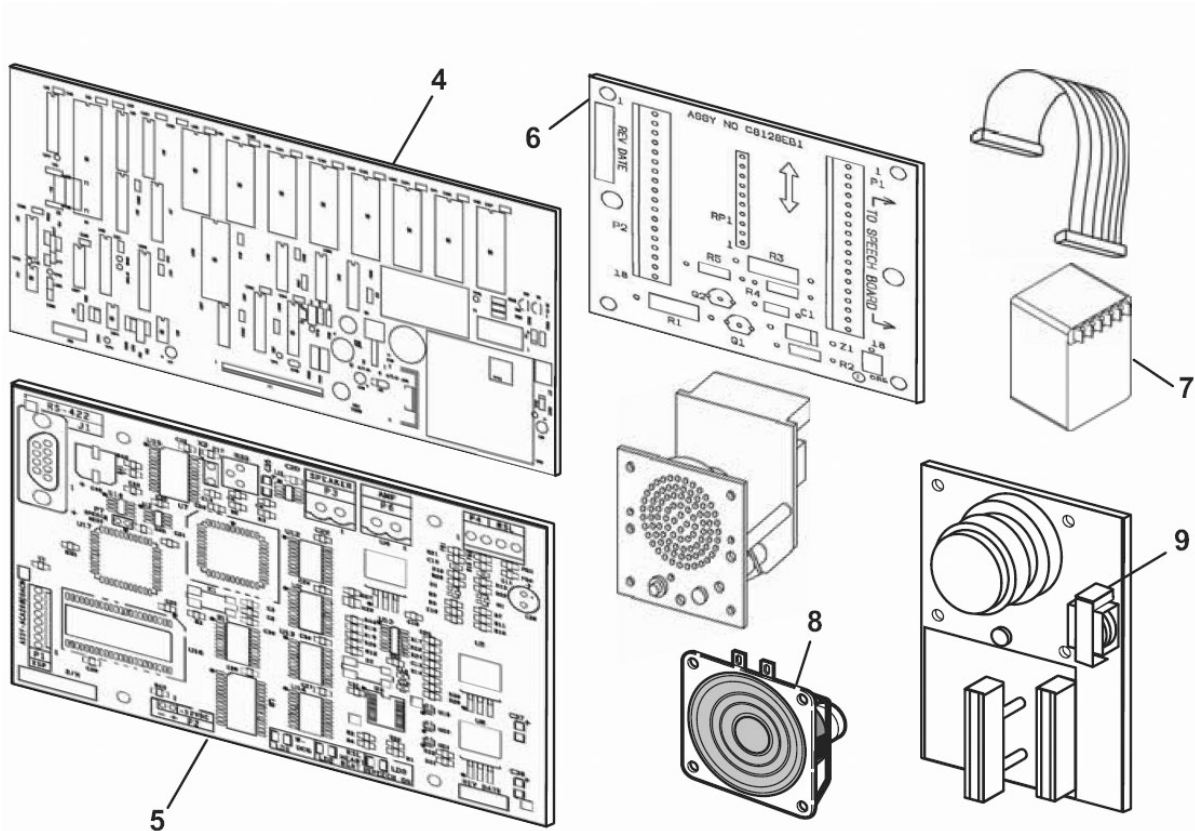
REF. No.	PART No.	DESCRIPTION	VINTAGE --- 7144CG
1	AAA406BV5	Assembly, Door, w/Certificate Frame, Stainless Steel, Mill 4 Finish, See NOTE	All (manf. start 5-1-00)
	AAA406BV6	Assembly, Door, w/Certificate Frame, Stainless Steel, Mirror Finish, See NOTE	
	AAA406BV7	Assembly, Door, w/Certificate Frame, Bronze, Brushed Finish, See NOTE	
	AAA406BV8	Assembly, Door, w/Certificate Frame, Bronze, Mirror Finish, See NOTE	
	AAA406BU5	Assembly, Door, w/o Certificate Frame, Stainless Steel, Mill 4 Finish, See NOTE	
	AAA406BU6	Assembly, Door, w/o Certificate Frame, Stainless Steel, Mirror Finish, See NOTE	
	AAA406BU7	Assembly, Door, w/o Certificate Frame, Bronze, Brushed Finish, See NOTE	
	AAA406BU8	Assembly, Door, w/o Certificate Frame, Bronze, Mirror Finish, See NOTE	
2	---	Assembly, Telephone/Service Cabinet, See SPL 31-AAA7144CG	
3	AAA316GBS1	Bracket, Door	

NOTE: Contact Customer Service at 800-600-6847 for engraving requirements for contract-specific doors.



VINTAGES			
	AAA	AAB-AAD, ABA, ABB, ABC, ACA	
REF. No.	PART No.		
DESCRIPTION			
1	AAA433PR1		Assembly, Intercom (TEKNICOM intercom w/o speech)
	AAA433PR2		Assembly, Intercom (TEKNICOM intercom w/speech)
	AAA433PR3		Assembly, Intercom (STENTOFON intercom w/o speech)
	AAA433PR4		Assembly, Intercom (STENTOFON intercom w/speech)
2	AAA433PS1		Assembly, Speaker (for TEKNICOM intercom, remote speaker)
3	174EA5	- - -	Cable, Ribbon (speech to speech interface PC boards)

(Continued on next page)

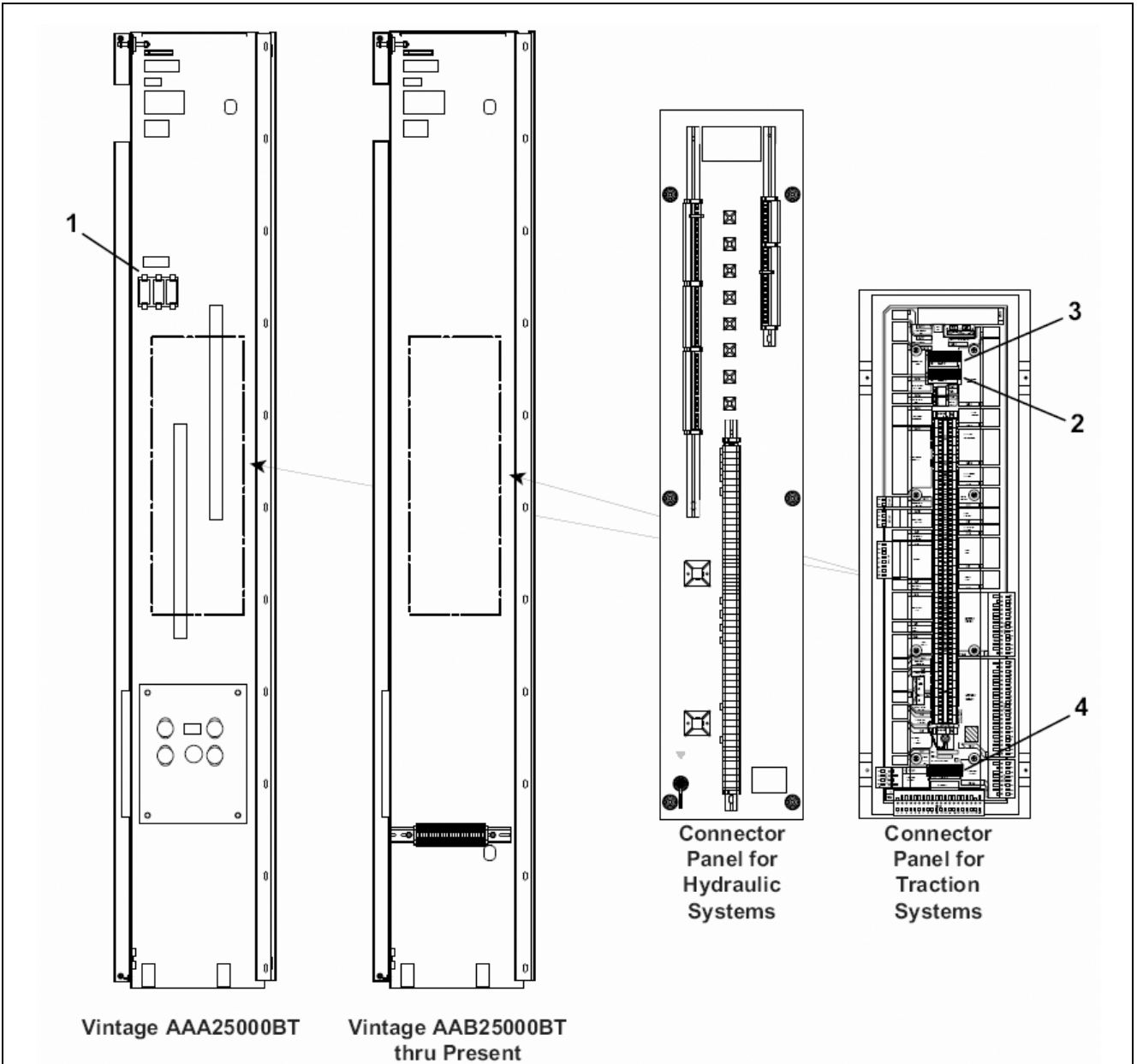


		VINTAGES		
		AAA	AAB-AAD, ABA, ABB, ABC, ACA	
REF. No.	PART No.		DESCRIPTION	
4	A8200EB1 ABA26800ZZ1	---	PC Board, Speech	
5	---	AAA26800ACW1 ACA26800ACW1	PC Board, Speech	
6	C8128EB1	---	PC Board, Speech Interface See NOTE, TIP 4.5-6	
7	P621D4 AAA621AX1	---	Power Supply (NOTE: Mounts behind service cabinet), 12 VDC (for E311VF w/speech), See p. 21	
8	A433NB3		Speaker, Speech (for speech w/o intercom, remote speaker)	
9	P621D1		Transformer (for AAA433PR2 & AAA433PR4)	

NOTE: Consider installing a speech retrofit kit. Parts listed in references 4 and 6 are no longer manufactured and will not be replenished when quantities are exhausted. For more information, see TIP 4.5-6, *AAA27076CG Speech Retrofit Kit Installation*.

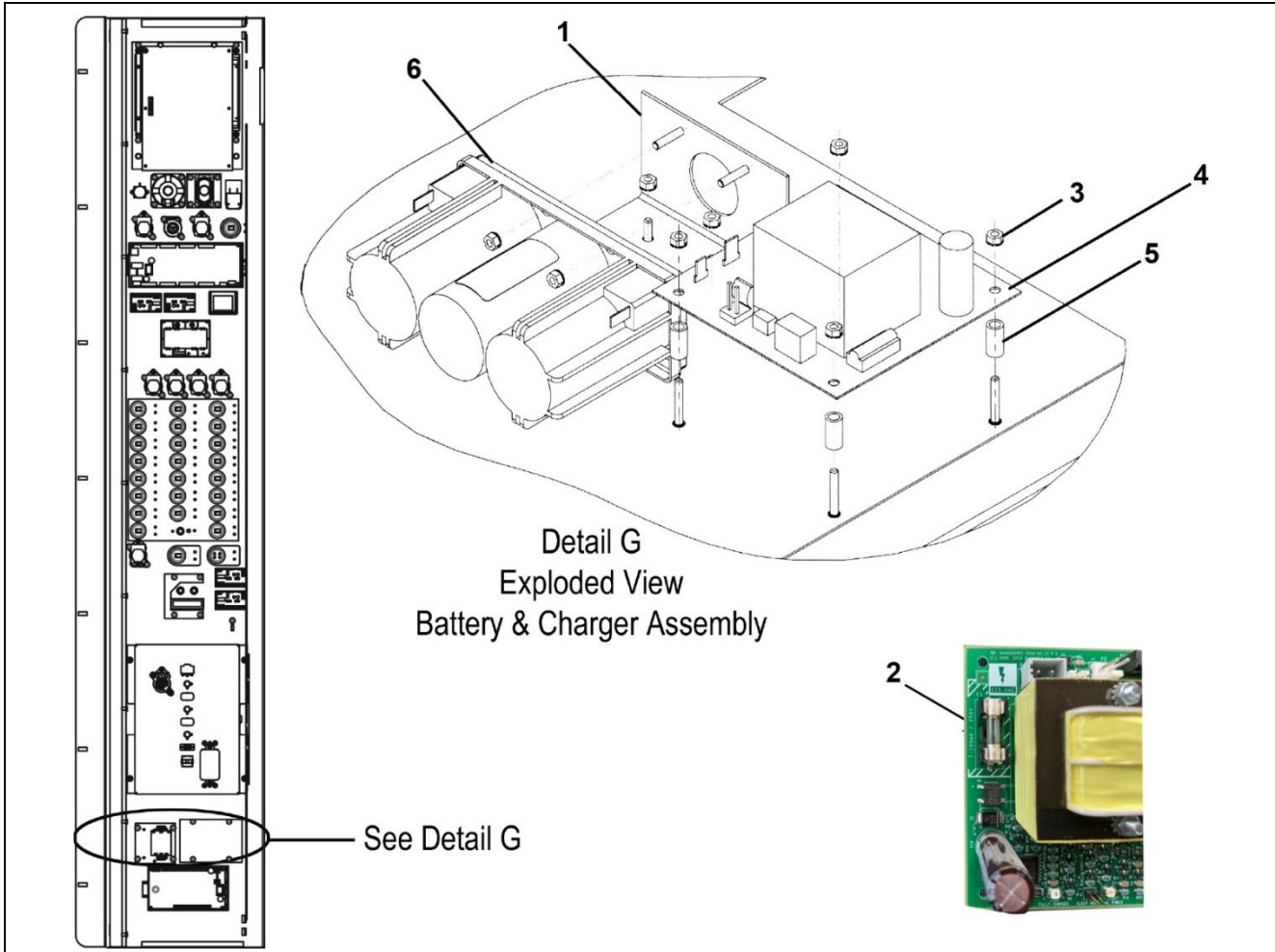
Connector Mounting Assemblies

31-AAA2500BT



REF. No.	PART No.		DESCRIPTION
	AAA2500BT	AAB, AAC, AAD, ABA, ABC, ACA _ _ _ 2500BT	
1	AAA375BT14	---	Fuse, 15 A
2	---	AAA375BR11	Fuse (F3), Slow-Blow, 2.5 A, 500 VAC (for traction systems)
3	---	AAA375CJ3	Fuse (F2), Slow-Blow, 5 A, 500 VAC (for traction systems)
4	---	AAA375CJ4	Fuse (F1), Slow-Blow, 10 A, 500 VAC (for traction systems)

Battery and Charger Assembly For Emergency Operations



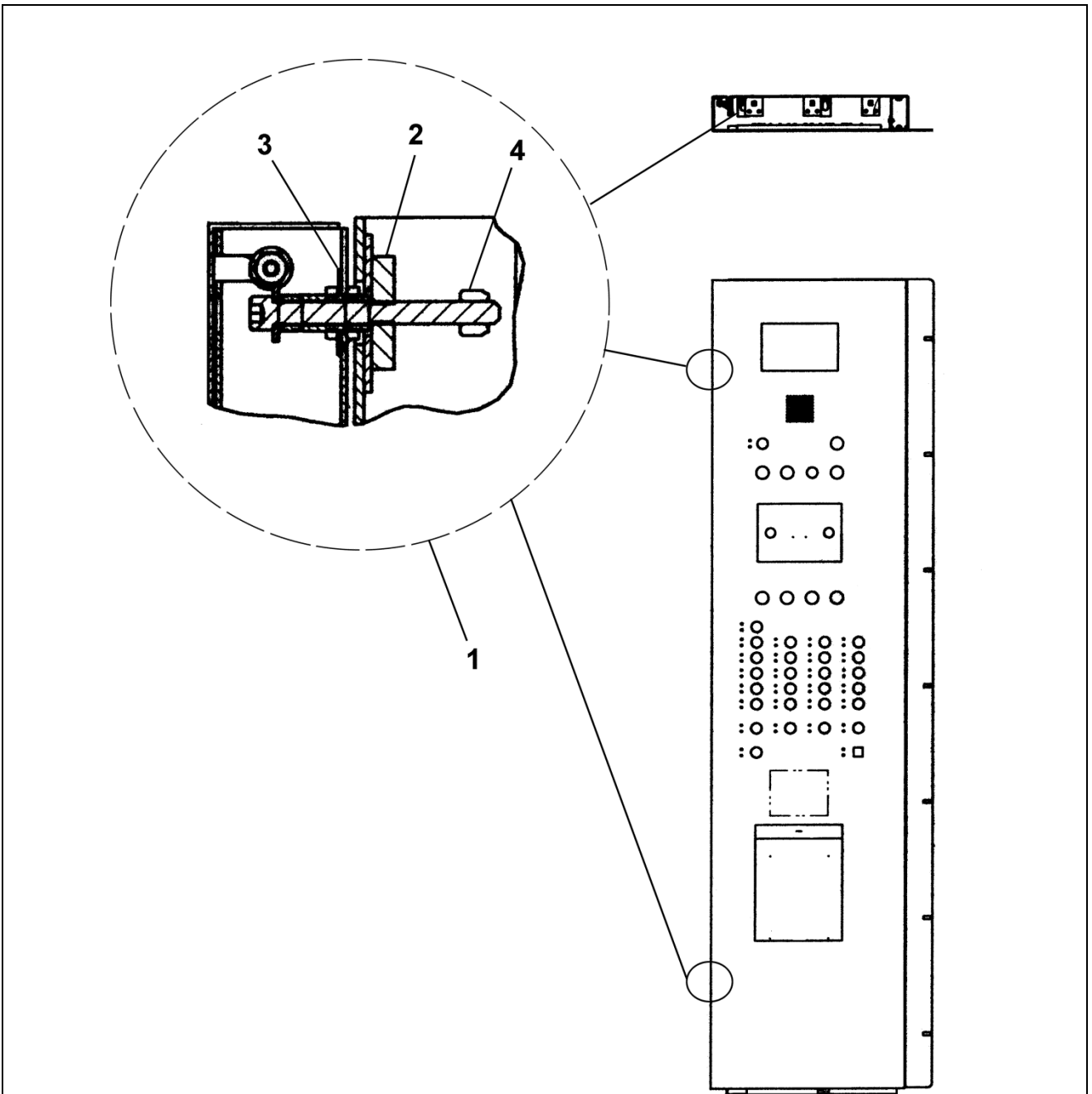
ACA25000BT		
REF. No.	PART No.	DESCRIPTION
1	AAA316HHD2	Bracket, Battery
*	AAA174ABH44	Cable, Battery, L = 304 mm
*	AAA174ABH51	Cable, ELS, L = 1850 mm
*	AAA174ABH52	Cable, ELS, L = 2500 mm
2	AAA375BY26	Fuse, GMA-100 mA for Emergency Light/Alarm Bell Board
3	N0N7203M3-8-Z	Locknut, M3 x 0.5, w/Lock Washer
4	AAA26800APD1	PCB, Battery Charger
5	354CD133	Piece, Distance
6	AAA718E16 AAA718Q2	Retrofit Kit, Battery 6 V, 2.75 AH, See NOTE

* Parts not shown.

NOTE: AAA718Q2 is a retrofit kit. For more information, see TIP 20.2-5, *COP Emergency Light Battery and Bracket Retrofit Kit Installation Information*.

Swing Return Assembly

31-AAA2500BT



AAA2500BM		
REF. No.	PART No.	DESCRIPTION
1	AAA6193QD-LOCKNUTASSY	Assembly, Swing Return Latching
2	386BNR1	Block
3	130J4	Lockwasher
4	67G25	Stopnut, Elastic