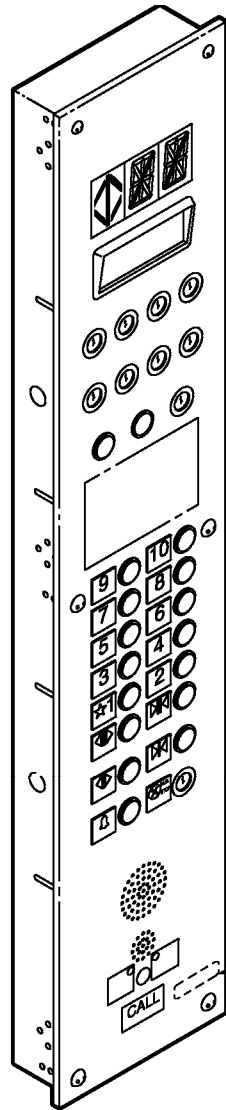


**Car Operating Panel  
Assembly  
(Modernization COP)**

**Spare Parts Leaflet**

**31-AAA25000CP**

**May 10, 2007 / Page 1 of 9**



**31 R-AAA25000CP**

**OTIS**

**Safety First!**

**SERVICE ENGINEERING**

**Otis Elevator Company**

**Bloomfield, Connecticut USA**

**Leaflet Description**

This leaflet provides spare parts information for type AAA2500CP car operating panel assembly.

**Leaflet Revisions**

| <b>Date Revised</b> | <b>Subject Matter Expert</b> | <b>Reason for Revision</b>  |
|---------------------|------------------------------|---|
| July 1, 2000        | Steve Karvazy                | New SPL   |
| September 8, 2005   | Joseph Zych                  | Deleted p. 10, rearranged page sequence of SPL, and updated part numbers. |
| May 10, 2007        | Michael Bertini              | Corrected typos (changed 31-AAA23600H to 22-AAA23600H)                    |

**Related Drawings**

| <b>Drawing No.</b> | <b>Title</b>                 | <b>Drawing No.</b> | <b>Title</b> |
|--------------------|------------------------------|--------------------|--------------|
| AAA2500CP          | Car Operating Panel Assembly | ---                | ---          |

**Related Documents**

| <b>Document ID</b> | <b>Title</b>   |
|--------------------|--|
| SPL 22-AAA23600H   | Hall Position Indicator: Discrete Input Driver             |
| SPL 31-AAA250G     | Advanced Fixtures, Graphic Inserts                         |
| SPL 31-AAA270BM    | Keyswitch Adaptors, Light Rings & Engraved Collars         |
| SPL 31-AAA431AF    | Keylock  |
| SPL 31-AAA23500AK  | Modular Luxury Fixture: Micro-Motion III Pushbuttons       |
| SPL 31-AAA23500AL  | Jewel  |
| SPL 31-AAA23500F   | Keyswitch Assemblies: Light Ring & Engraved Collar Version |
| SPL 31-AAA23500T   | Phone Jack Assembly  |

**Subject Matter Expert**

| <b>Name</b>     | <b>Department</b>       |
|-----------------|-------------------------|
| Michael Bertini | OSC Service Engineering |

**About Spare Parts Leaflets...**

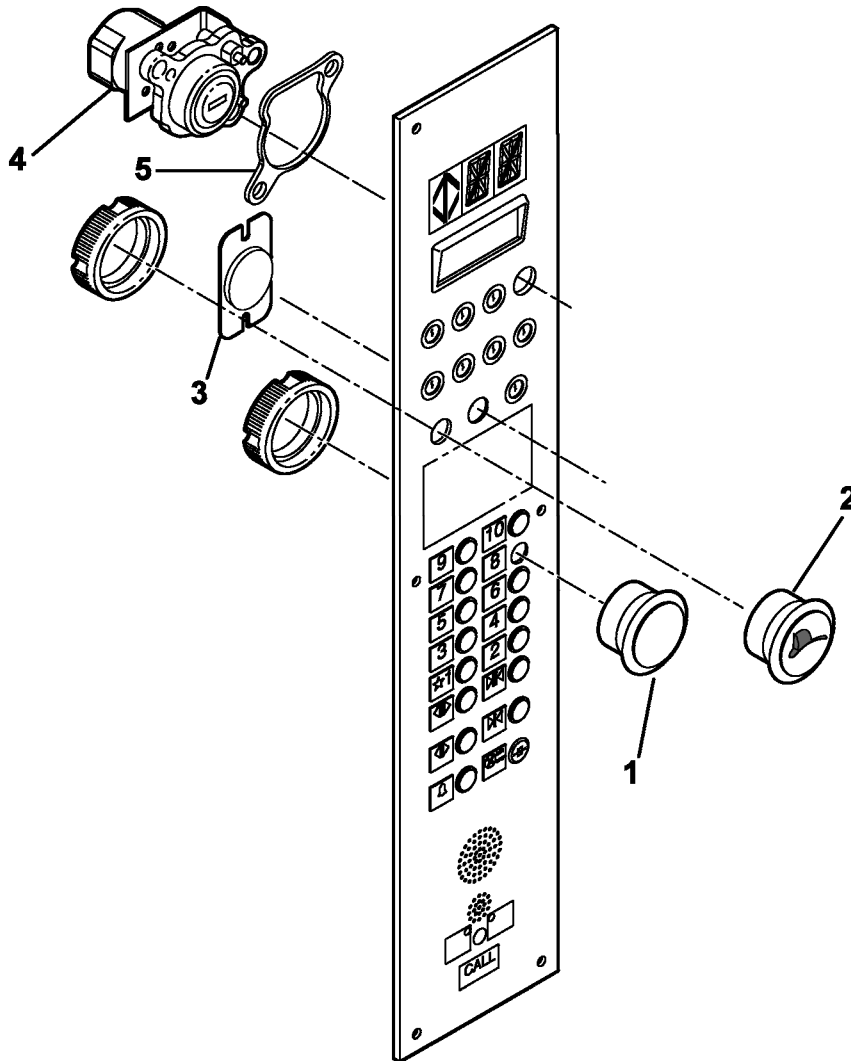
This document lists the lowest replaceable units (LRUs) for the standard version of the product. The LRUs are chosen by a team of Otis associates representing engineering and manufacturing.


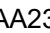
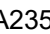

While goal of this document is to make parts identification as easy as possible, the document cannot be all-inclusive. Elevator and escalator contracts classified as "special" or "custom" are not addressed here. For such contracts, please refer to specified information, the contract folder, TIPS, Field Education Articles, Construction Letters, etc. for further information.

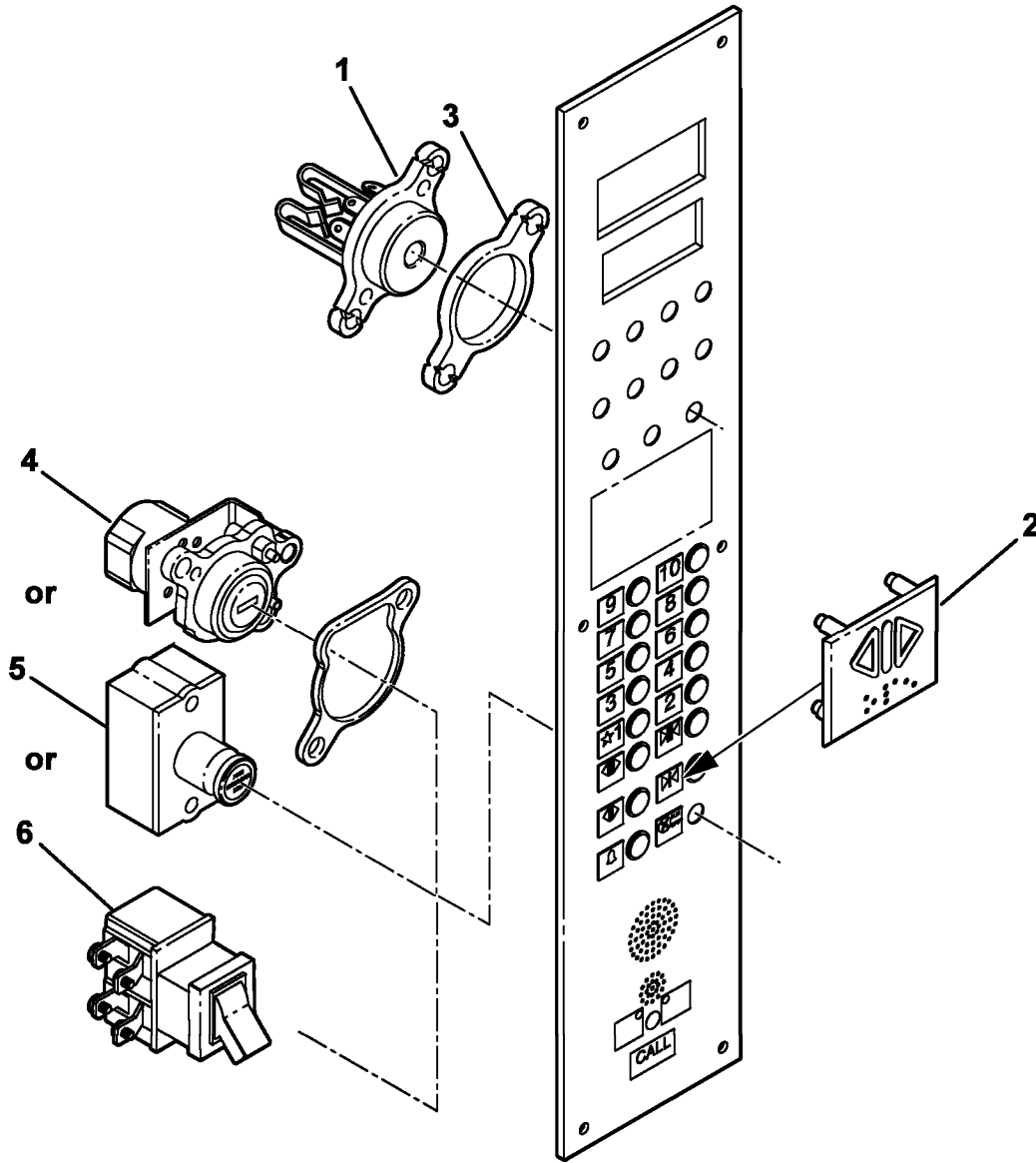
If you have any suggestions about this document, please contact the subject matter expert listed on this page.




# Buttons & Keyswitches

**31-AAA2500CP**



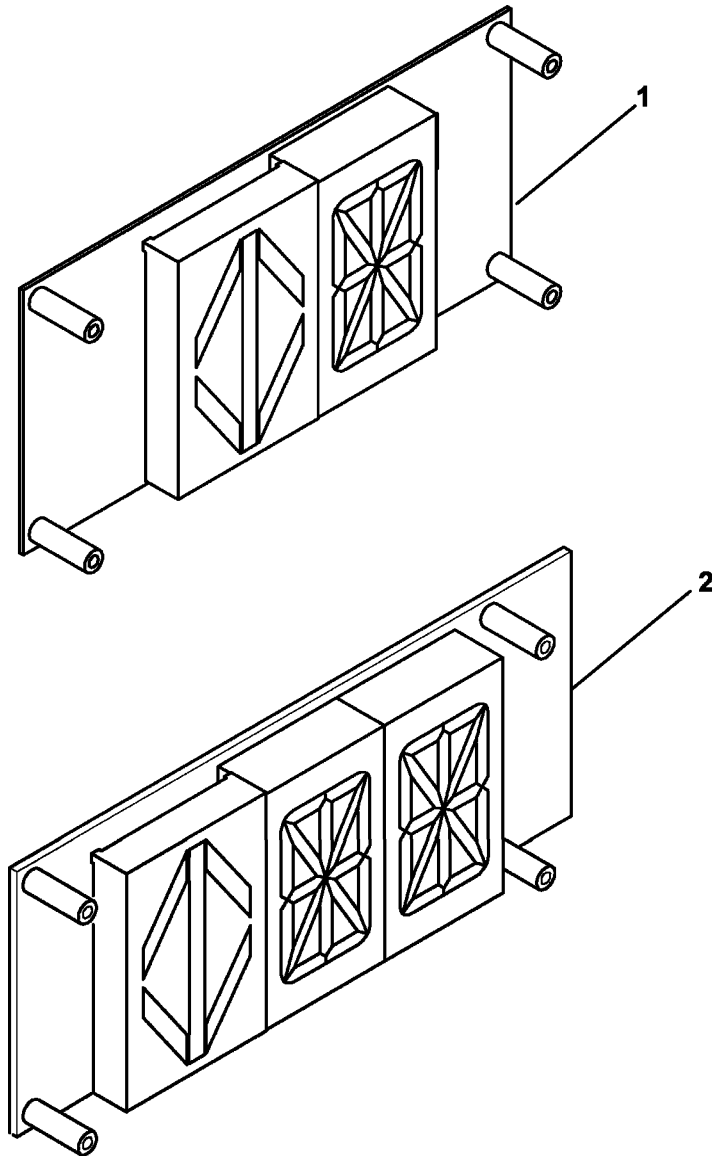
| AAA2500CP |           |   |  |
|-----------|-----------|---|--|
| REF. No.  | PART No.  | DESCRIPTION   |  |
| 1         | ---       | Button, Micromotion III, Vandal Resistant, Amber LED Illumination, Type AAA23500AM,  SPL 31-AAA23500AK |  |
|           | ---       | Button, Micromotion III, Luxury, Amber LED Illumination, Type AAA23500AK,  SPL 31-AAA23500AK           |  |
| 2         | ---       | Jewel, Type AAA23500AL,  SPL 31-AAA23500AL   |  |
| 3         | AAA499AJ1 | Jewel, Blank (used to fill empty keyswitch cutout)  |  |
| 4         | ---       | Keyswitch Module, w/Engraved Collar, Type ABA23500G   |  SPL 31-AAA23500F |
|           | ---       | Keyswitch Module, SES Northeast Lock, Type ABA23500W  |  |
|           | ---       | Keyswitch Module, Conn. SES, Type ABA23500K   |  |
|           | ---       | Keyswitch Module, Integral Lock & Switch, SES, Type ABA23500AD  |  |
|           | ---       | Keyswitch Module, MEDECO, Type ABA23500R  |  |
| 5         | AAA462JS2 | Spacer, Keyswitch   |  |




| AAA2500CP |             |   |  |
|-----------|-------------|---|--|
| REF. No.  | PART No.    | DESCRIPTION   |  |
| 1         | ---         | Assembly, Phone Jack, Type AAA23500T,  | SPL 31-AAA23500T   |
| 2         | ---         | Insert, Graphic, Type AAA250G,           | SPL 31-AAA250G   |
| 3         | AAA462JR2   | Spacer, Phone Jack  |  |
| 4         | ABA23500F71 | Switch, Keyswitch (ANSI)  |  SPL 31-AAA23500F |
|           | ABA23500F30 | Switch, Keyswitch, Emergency Stop (Canada, B44)   |  |
| 5         | 6073F4      | Switch, Push/Pull, Emergency Stop, Finish = Stainless Steel, Brushed  |  |
|           | 6073F5      | Switch, Push/Pull, Emergency Stop, Finish = Bronze, Brushed   |  |
| 6         | 6073F1      | Switch, Toggle, Emergency Stop  |  |

# Discrete Input Position Indicator Module Assembly

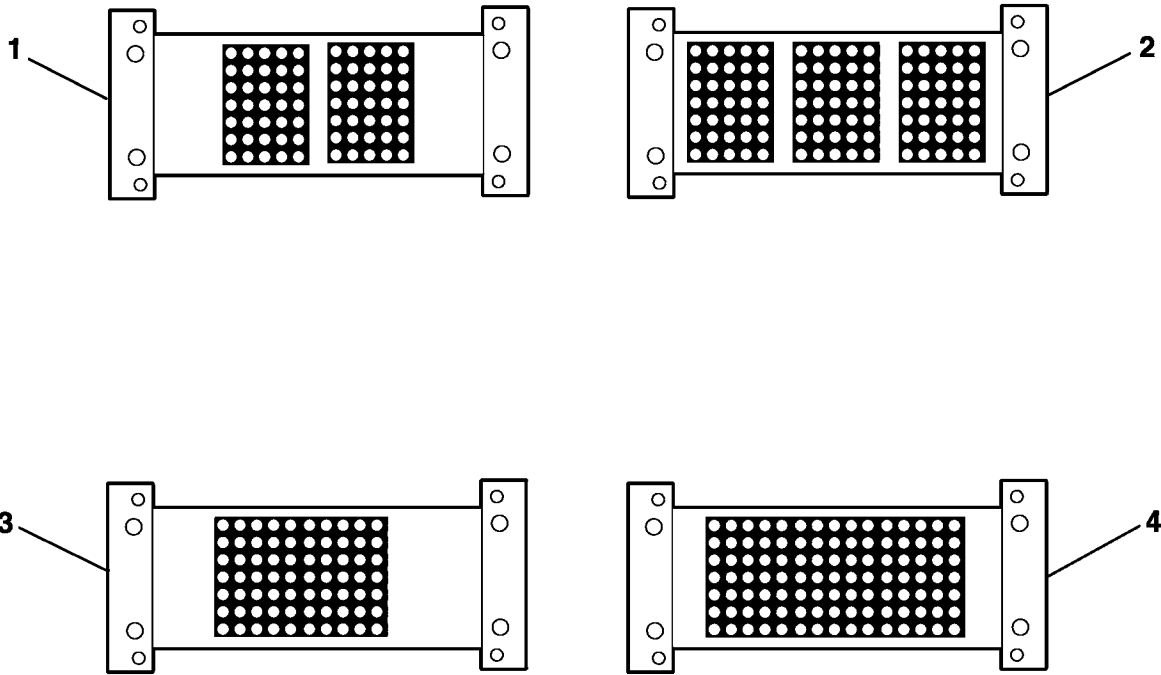
**31-AAA2500CP**



| <b>AAA2500CP</b> |                 |  |              |  |
|------------------|-----------------|--|--------------|--|
| <b>REF. No.</b>  | <b>PART No.</b> | <b>DESCRIPTION</b>   |              |  |
| 1                | AAA8200BV4      | Module Assembly,<br>Position Indicator,<br>Discrete Input, 16-<br>Segment, Red, Arrow<br>with: | 1 Character  | Micro Comm Driver Required<br> SPL 22-AAA23600H |
| 2                | AAA8200BV5      |  | 2 Characters |  |

Continued on next page

# Discrete Input Position Indicator Module Assembly



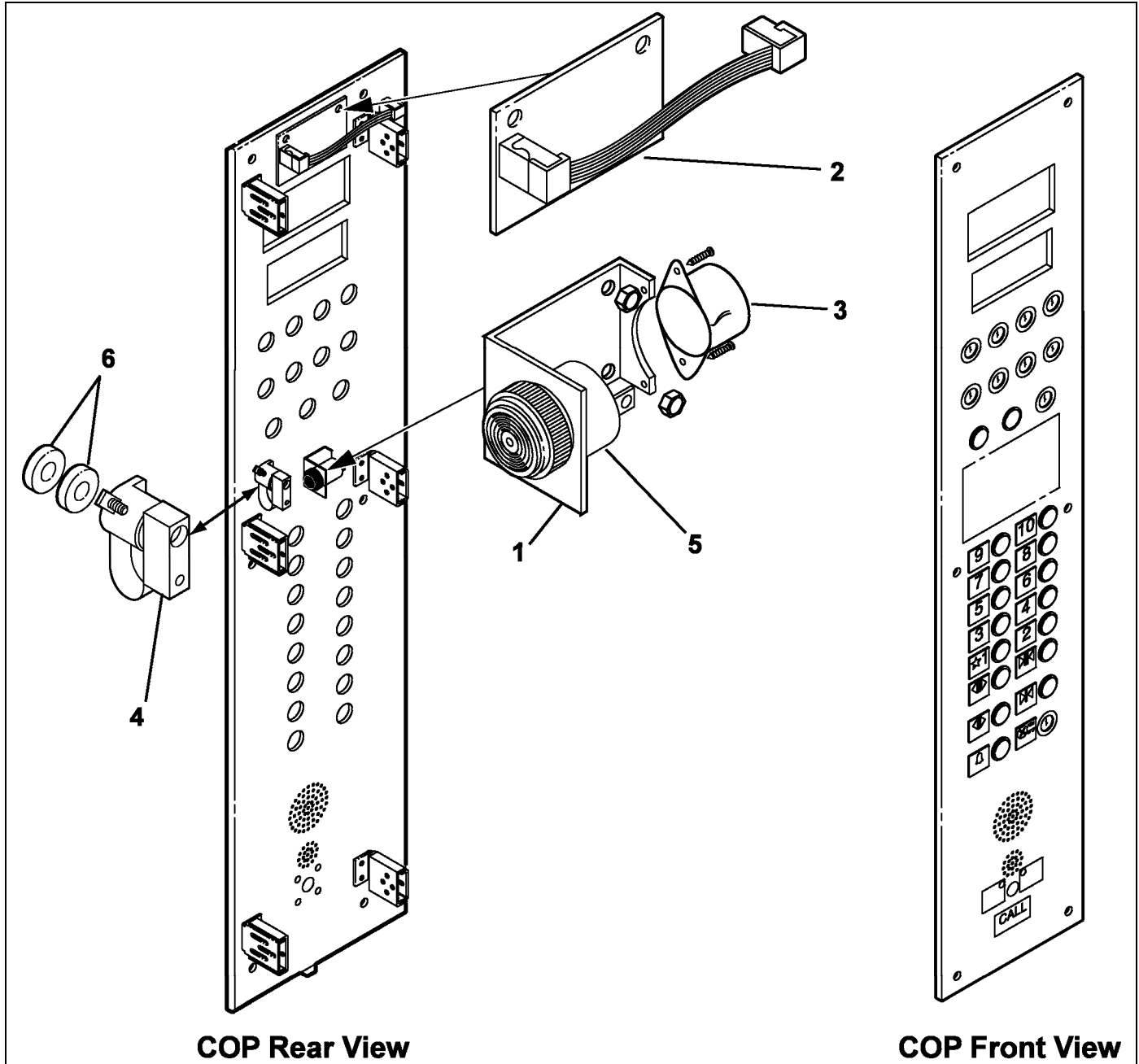
| AAA2500CP |                         |                          |  |
|-----------|-------------------------|--------------------------|--|
| REF. No.  | PART No.                |                          | DESCRIPTION  |
|           | Preprogrammed Indicator | Non-Programmed Indicator |  |
| 1         | AAA8200BV999            | AAA8200BV6               | 115 VAC  |
|           | AAA8200BV998            | AAA8200BV7               | 24-30 VDC Neg.   |
| 2         | AAA8200BV997            | AAA8200BV8               | 115 VAC  |
|           | AAA8200BV996            | AAA8200BV9               | 24-30 VDC Neg.   |
| 3         | AAA8200BV995            | AAA8200BV10              | Position Indicator,<br>PCB Dot Matrix, Red<br><br><b>NOTE</b><br><br>Micro Comm Driver Required,<br>SPL 22-AAA23600H |
| 4         | AAA8200BV994            | AAA8200BV11              |  |

**NOTE:** Position indicators AAA8200BV6-11 are furnished with an EEPROM that is programmed with the building-specific floor markings. When ordering a replacement indicator, select 1 or 2 below.

1. Order non-programmed indicator AAA8200BV6-11 and transfer the programmed EEPROM from the existing indicator to the replacement unit.
2. Order preprogrammed indicator AAA8200BV994-999, specifying the floor markings to be programmed by OSC.

# Audible Devices

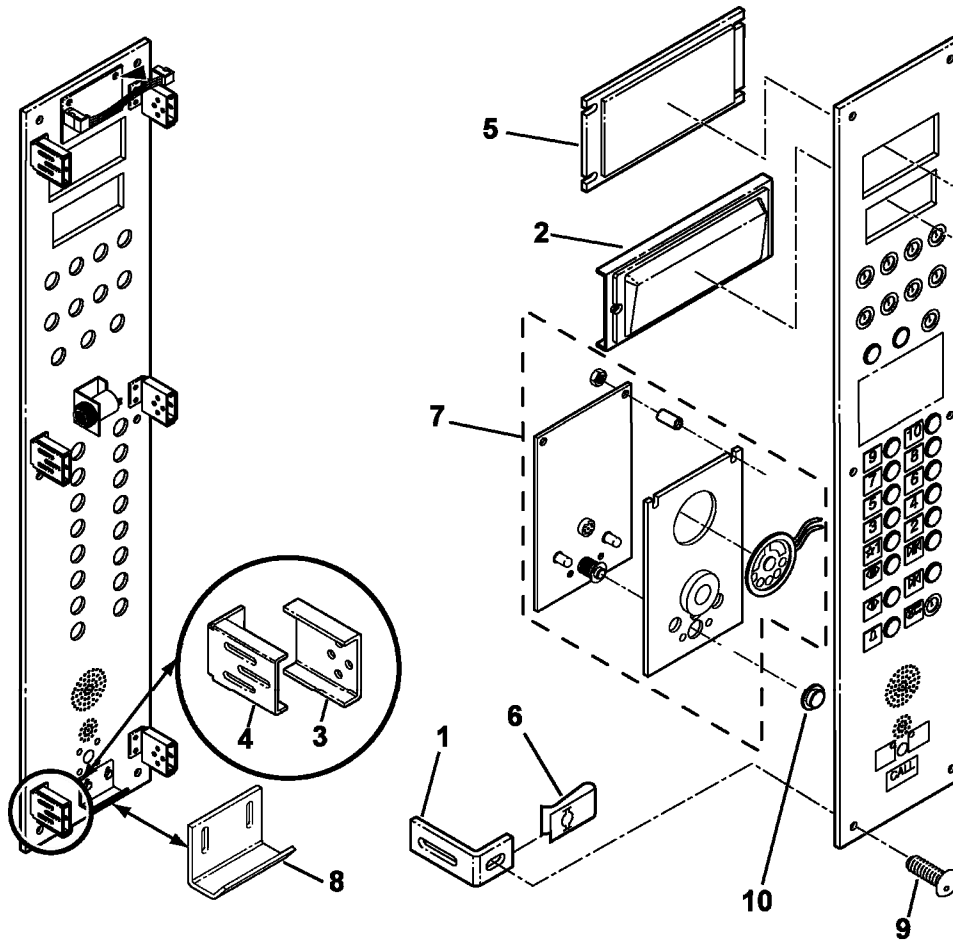
**31-AAA2500CP**



**COP Rear View**

**COP Front View**

| AAA2500CP |            |  |                        |
|-----------|------------|--|------------------------|
| REF. No.  | PART No.   | DESCRIPTION                            |                        |
| 1         | ABA316FMF1 | Bracket                                |                        |
| 2         | AAA8200BV3 | Module, Landing Passing Tone           | W → Position Indicator |
| 3         | 6219F2     | Device, Tone, Buzzer                   | W → 30 VDC             |
| 4         | 6219D2     | Device, Tone, Buzzer                   | W → 110 VAC            |
| 5         | A6219G1    | Device, Tone, Landing Passing          | W → 30 VDC             |
|           | A6219G4    | Device, Tone, Landing Passing          | W → 110 VAC            |
| 6         | 462GV5     | Spacer (required w/6219D2 buzzer only) |                        |

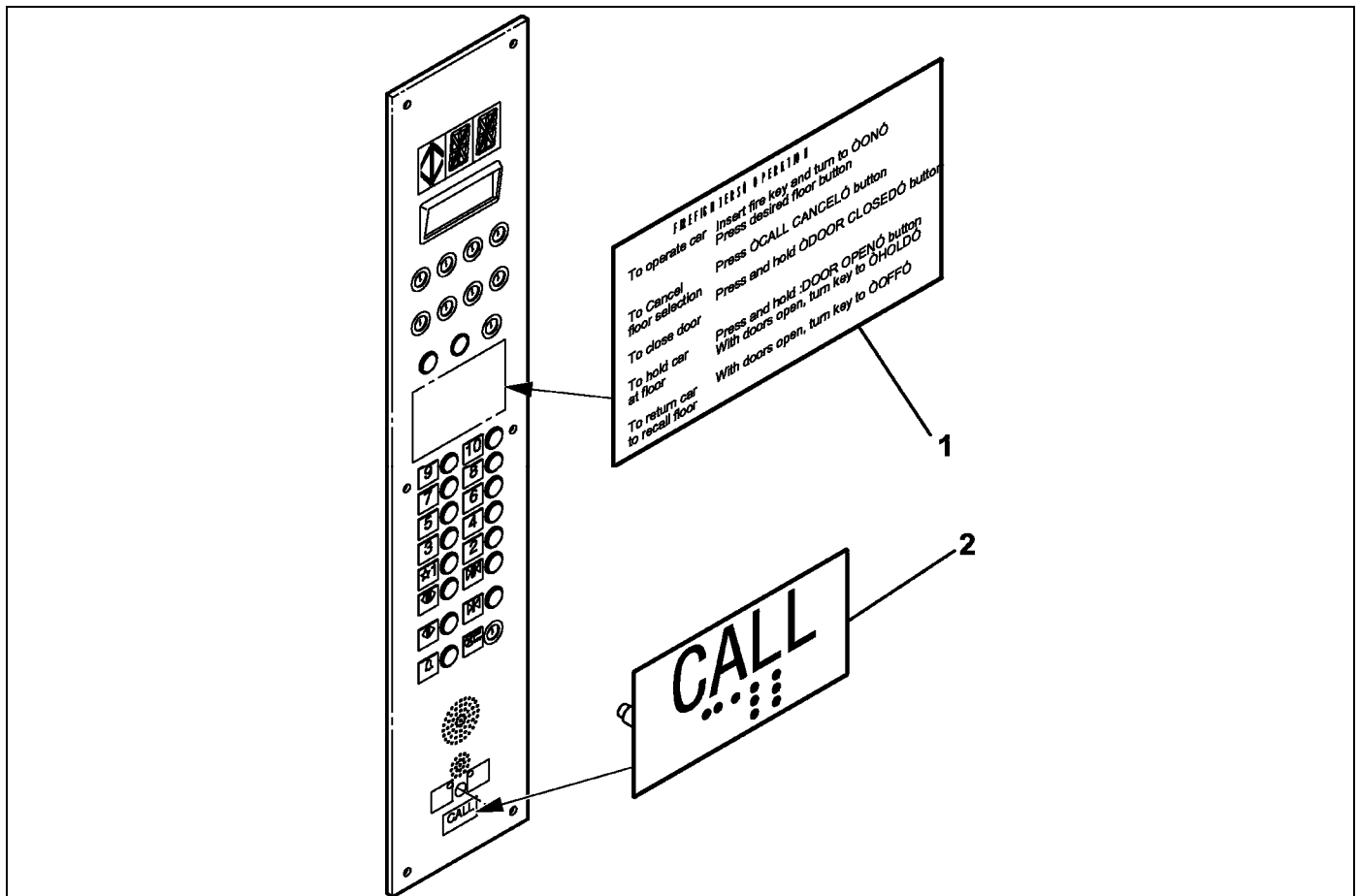


| AAA2500CP |            |   |                         |
|-----------|------------|---|-------------------------|
| REF. No.  | PART No.   | DESCRIPTION                               |                         |
| 1         | AAA283ALL5 | Clip, Faceplate Mounting                  |                         |
| 2         | AAA24719C2 | Fixture, Emergency Light, 12 VDC          |                         |
|           | AAA24719C1 | Fixture, Emergency Light, 6 VDC           |                         |
| 3         | AAA391DD1  | Hinge, Cap                                |                         |
| 4         | AAA391DD2  | Hinge, Slider                             |                         |
| 5         | AAA443EC1  | Lens, Position Indicator, Red             |                         |
| 6         | 72BX18     | Nut, Speed                                |                         |
| 7         | CAA7145E2  | Phone, Hands-Off                          |                         |
| 8         | ABA316FUE1 | Plate, Skid                               |                         |
| 9         | AAA124GT1  | Screw, Tamper Resistant                   | SS4 (brushed stainless) |
|           | AAA124GT2  |   | BR7 (brushed bronze)    |
| 10        | AAA323DR5  | Target (hands-off phone operation button) | BR7 (brushed bronze)    |
|           | AAA323DR1  |   | SS4 (brushed stainless) |



# Instruction Plates

**31-AAA25000CP**



| AAA25000CP |            |  |                      |
|------------|------------|--|----------------------|
| REF. No.   | PART No.   | DESCRIPTION  |                      |
| 1          | AAA102VB36 | Plate, Firemen's Service Instruction, ANSI 1996 Code   | MF4                  |
|            | AAA102VB37 |  | SS4                  |
|            | AAA102VB39 |  | BR7                  |
|            | AAA102VB72 |  | MF7                  |
|            | AAA102VB7  | Plate, Firemen's Service Instruction, ANSI Calif. Code | MF4                  |
|            | AAA102VB8  |  | SS4                  |
|            | AAA102VB10 |  | BR7                  |
|            | AAA102VB73 |  | MF7                  |
|            | AAA102VB74 |  | MF4                  |
|            | AAA102VB75 |  | SS4                  |
|            | AAA102VB76 |  | SS8                  |
|            | AAA102VB77 | BR7  |                      |
|            | AAA102VB78 | BR8  |                      |
|            | 2          | AAA250L1   | Tag, "Call", Braille |

**NOTE:** Finish SS4 is brushed stainless steel; SS8 is mirror stainless steel; MF4 is stainless steel mill 4; BR7 is brushed bronze; and BR8 is mirror bronze.