

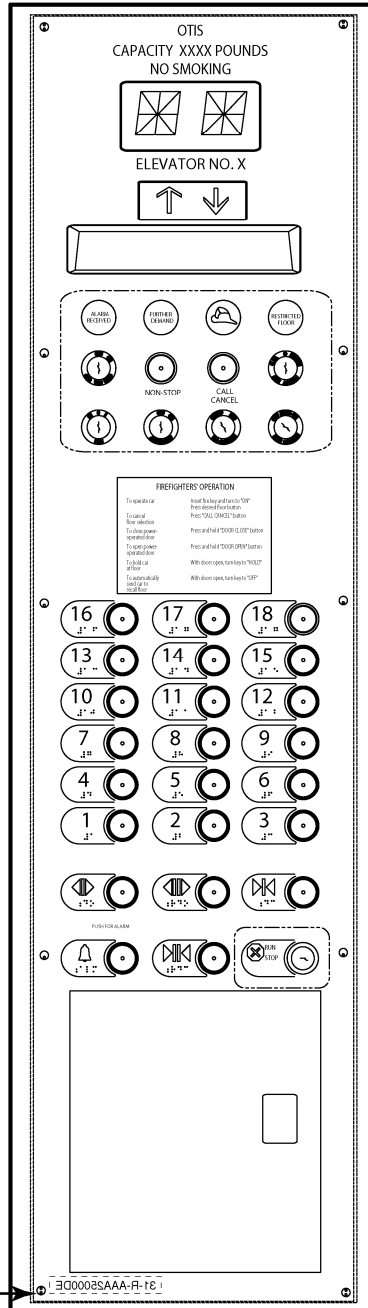
Car Operating Panel (Modernization)

Spare Parts Leaflet

31-AAA25000DE

May 3, 2005 / Page 1 of 17

31 R-AAA25000DE



OTIS

Safety First!

SERVICE ENGINEERING
Otis Elevator Company
Bloomfield, Connecticut USA

Leaflet Description

This spare parts leaflet covers all the LRUs for the two and three row modernization car operating panels.

Leaflet Revisions

Date Revised	Subject Matter Expert	Reason for Revision
May 3, 2005	Joseph Zych	New SPL

Related Drawings

Drawing No.	Title
AAA25000DE	Assembly, Modernization Car Operating Panel
AAA25000BY	Assembly, Connector Mounting Plate

Related Documents

Document ID	Title
SPL 31-AAA23500AK	Modular Luxury Fixture: Micro-Motion III Pushbuttons
SPL 31-AAA23500AL	Jewel
SPL 31-AAA23500F	Keypress Assemblies: Light Ring & Engraved Collar Version
SPL 31-AAA23500T	Phone Jack Assembly
SPL 31-AAA250G	Fixtures - Advanced, Graphic Inserts

Subject Matter Expert

Name	Department
Joseph Zych	OSC Service Engineering

About Spare Parts Leaflets...

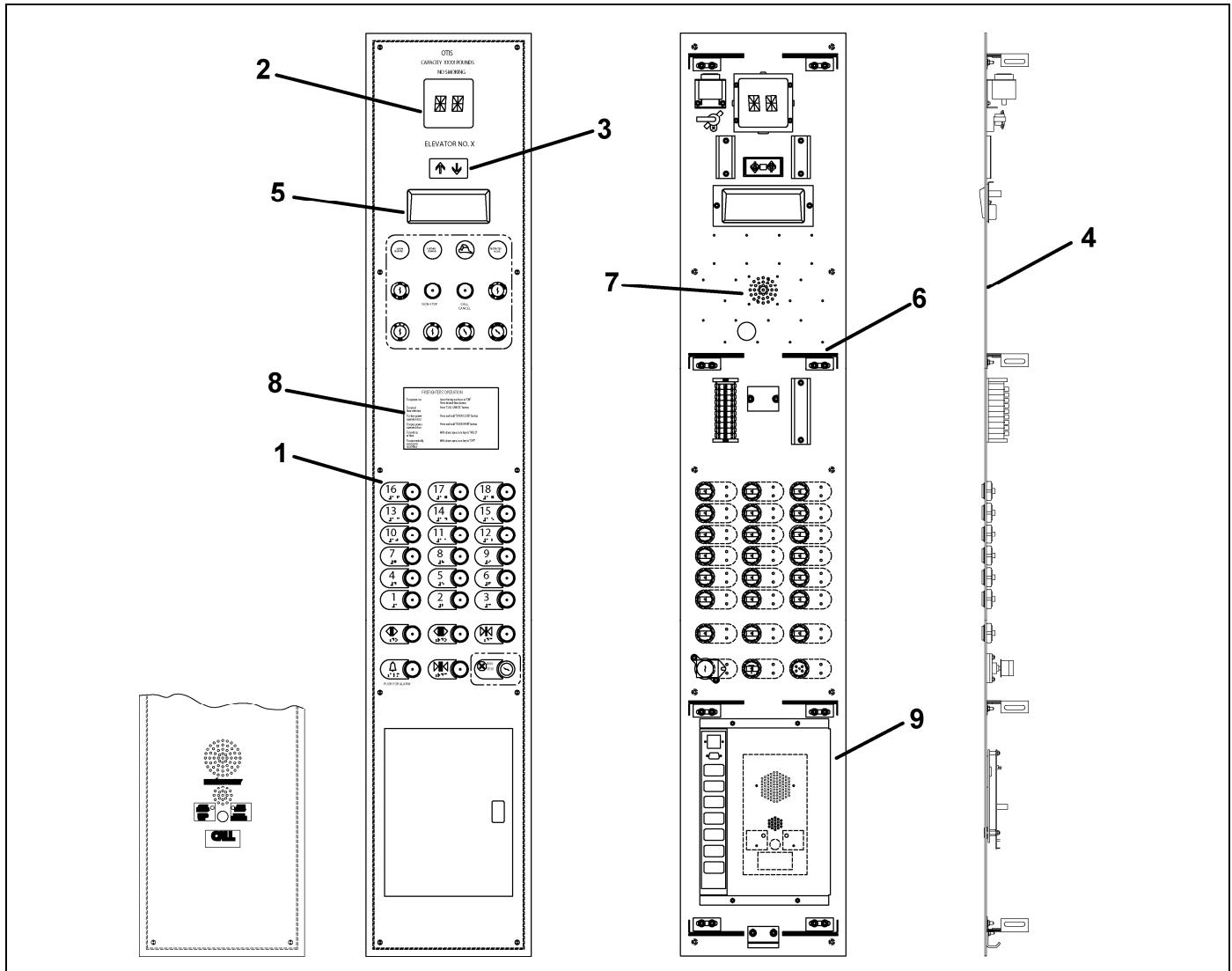
This document lists the lowest replaceable units (LRUs) for the standard version of the product. The LRUs are chosen by a team of Otis associates representing engineering and manufacturing.


While goal of this document is to make parts identification as easy as possible, the document cannot be all-inclusive. Elevator and escalator contracts classified as "special" or "custom" are not addressed here. For such contracts, please refer to specified information, the contract folder, TIPs, Field Education Articles, Construction Letters, etc. for further information.

If you have any suggestions about this document, please contact the subject matter expert listed on this page.

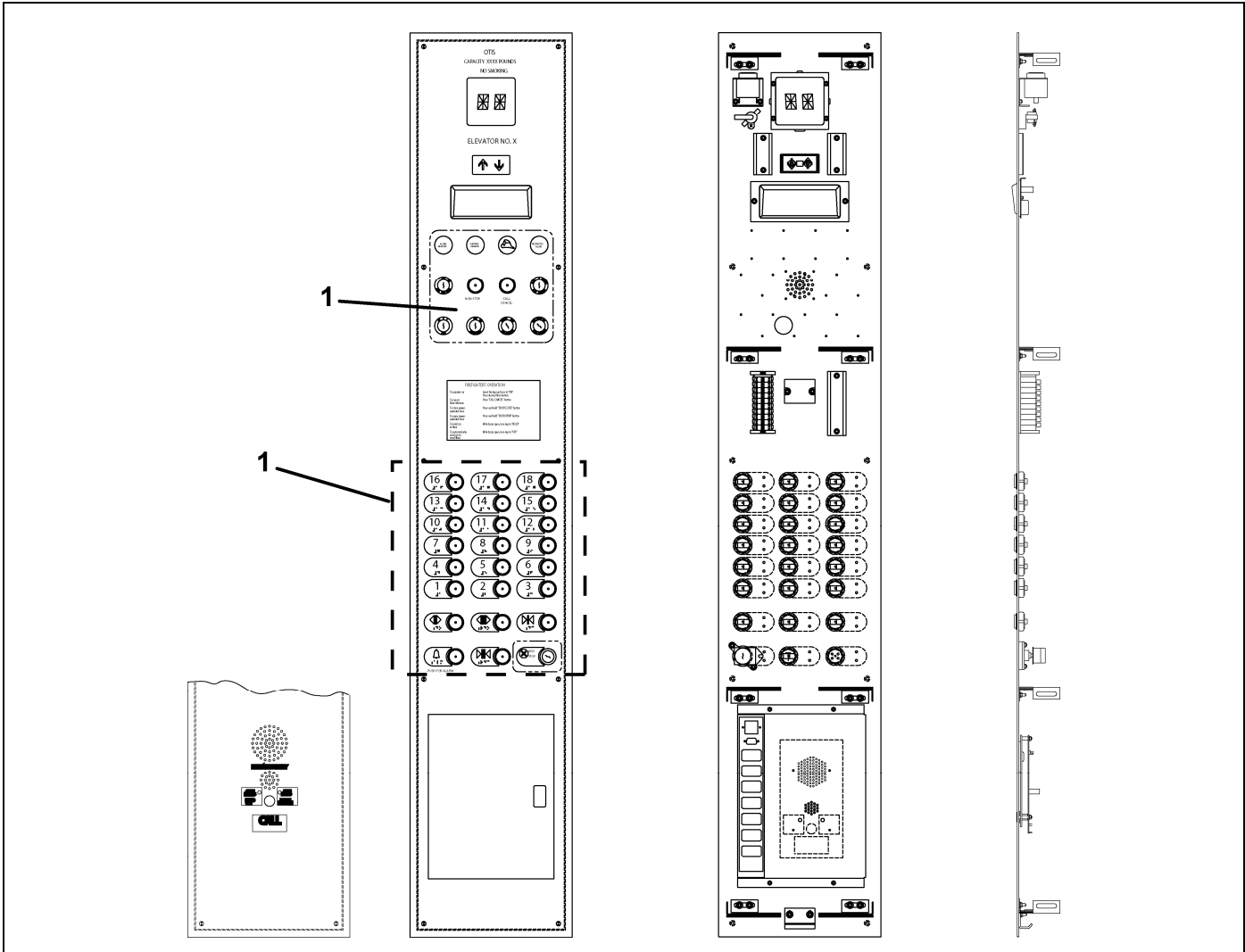
Table of Contents





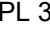
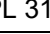


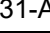
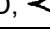

31-AAA2500DE



REF. No.	PAGE No.	DESCRIPTION
1	---	Braille Plates, Type AAA250K  SPL 31-AAA250G
2	5, 6	Car Position Indicator
3	7	Car Direction Indicator
4	16	Connector Mounting Plate
5	8	Emergency Fixtures
6	15	Frame Parts
7	9	Intercom
8	17	Labels
---	14	PC Boards
9	10-13	Phone/Service Cabinet

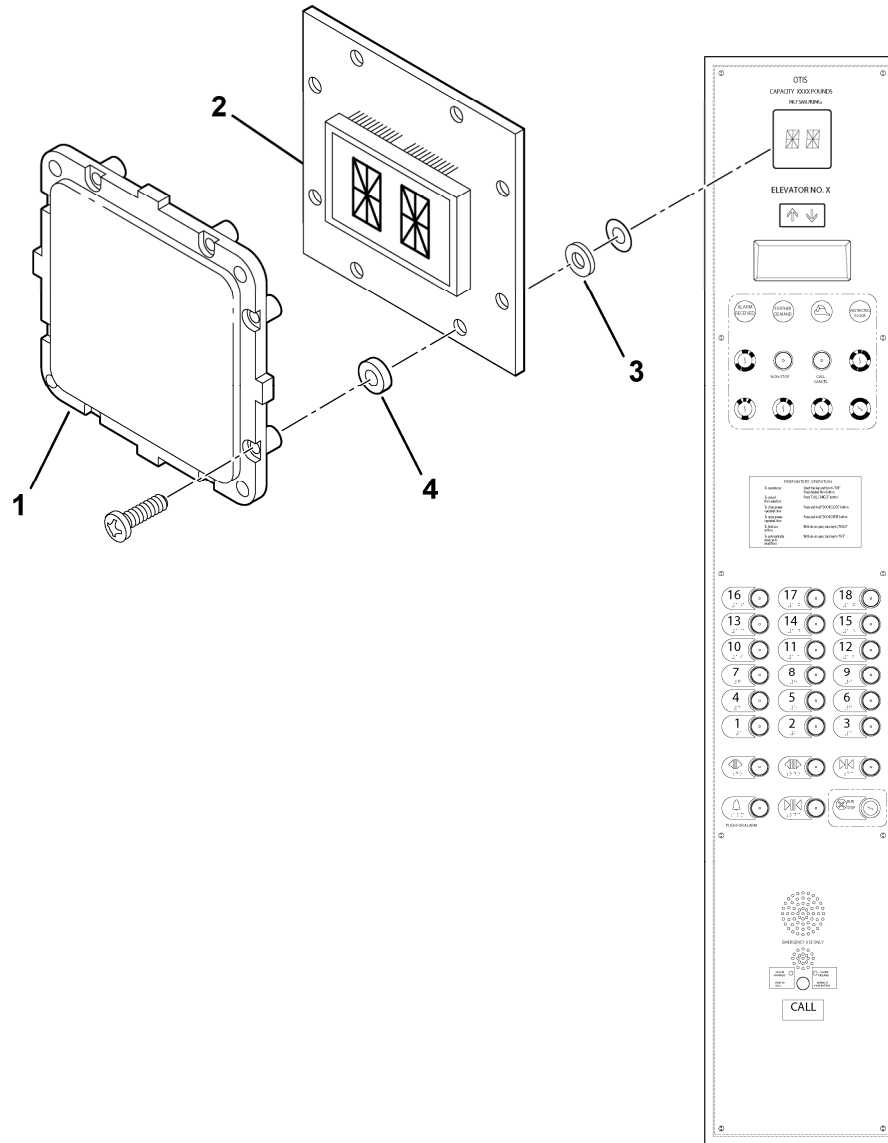
Continued on Next Page



REF. No.	PAGE No.	DESCRIPTION
1	---	Buttons, Micromotion III, Amber LED, Type AAA23500AK,  SPL 31-AAA23500AK
		Buttons, Micromotion III, Luxury, Type AAA23500BY,  SPL 31-AAA23500BY
		Buttons, Micromotion III, Vandal Resistant, Amber LED, Type AAA23500AM,  SPL 31-AAA23500AM
		Jewels, Type AAA23500AL,  SPL 31-AAA23500AL
		Keyswitch Module, Conn. SES, Type AAB23500K,  SPL 31-AAA23500F
		Keyswitch Module, MEDECO, Type AAA23500R,  SPL 31-AAA23500F
		Keyswitch Module, SES Northeast Lock, Type AAB23500W  SPL 31-AAA23500F
		Keyswitch Module, w/Engraved Collar, Type AAB23500G  SPL 31-AAA23500F
		Keyswitch, Emergency Stop, Type AAB23500F  SPL 31-AAA23500F
		Keyswitch, Integral Lock & Switch, SES Type AAA23500AD,  SPL 31-AAA23500F
		Phone Jack, Firefighter's  SPL 31-AAA23500T

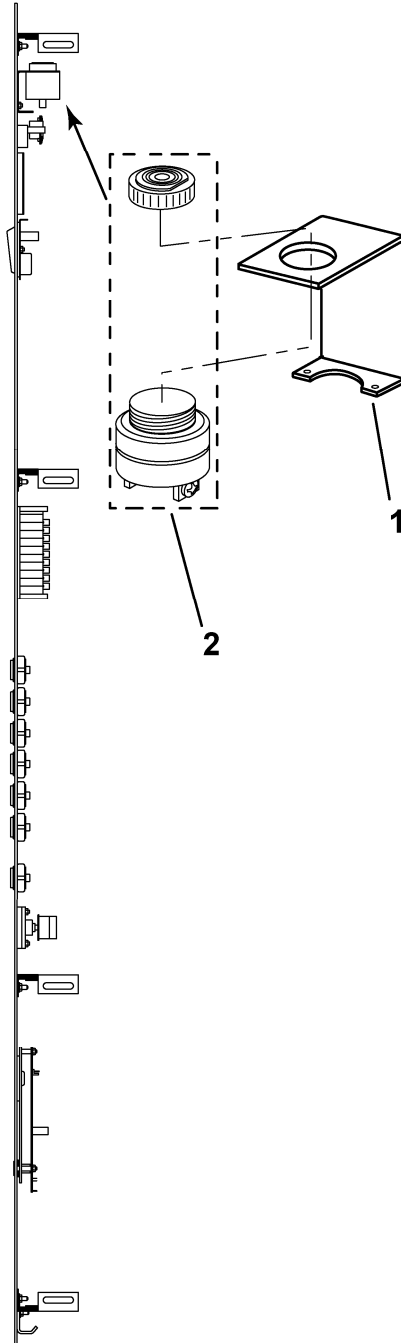
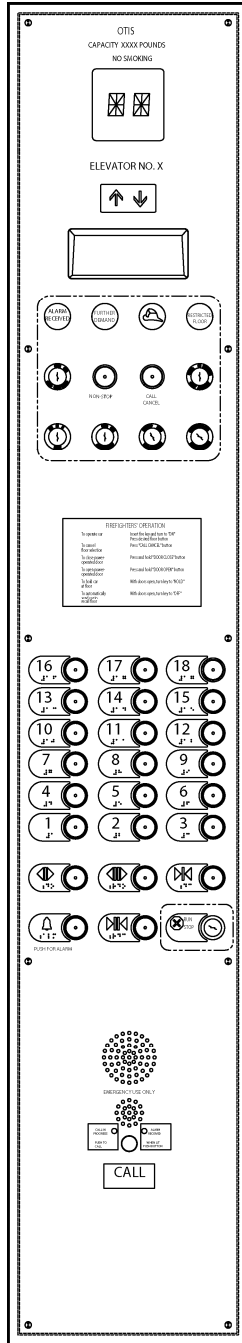
Car Position Indicator (CPI)

31-AAA25000DE



AAA25000DE		
REF. No.	PART No.	DESCRIPTION
1	443CC1	Lens, Car Position Indicator, Green
	443CC2	Lens, Car Position, Indicator, Red
2	AAA8200BV1	PC Board, Car Position Indicator, 115 VAC, Green
	AAA8200BV2	PC Board, Car Position Indicator, 115 VAC, Red
	ACA26800HJ1	PC Board, Car Position Indicator, 30 VDC, Green
	AAA26800AJX1	PC Board, Car Position Indicator, 30 VDC, Red
3	462GV4	Spacer (for CPI)
4	462GV1	Spacer (for green CPI)

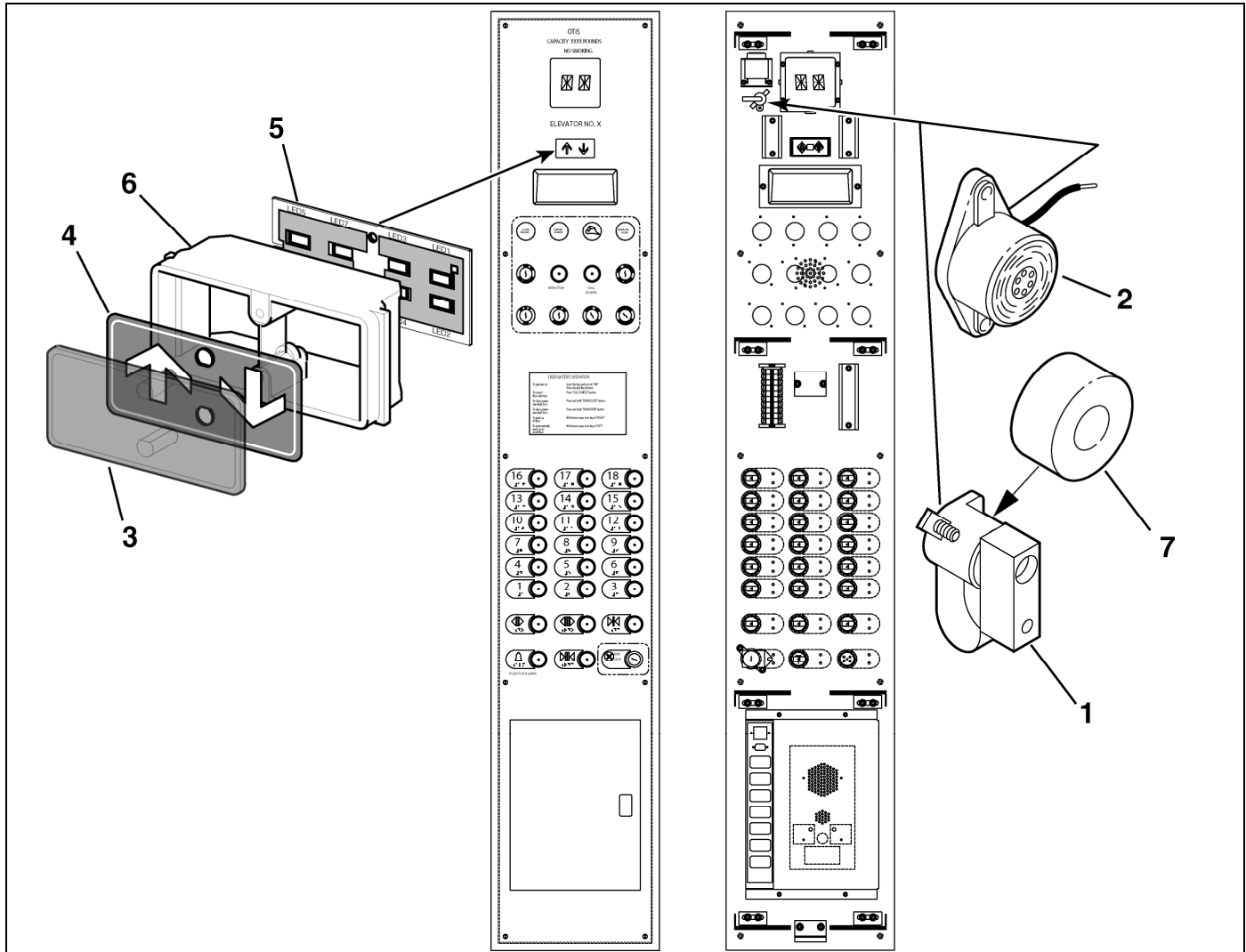
Continued on next page.



REF. No.	PART No.	DESCRIPTION
1	AAA25000DE	
1	ABA316FMF1	Bracket (for Ref. 2, A6219G)
2	A6219G4	Device, Landing-Passing Tone, 115 VAC (used for COP w/o CPI)
	A6219G1	Device, Landing-Passing Tone, 30 VDC (used for COP w/CPI)
---	AAA8200BV14	PC Board, Landing-Passing Tone for 115 VAC CPI (not shown)

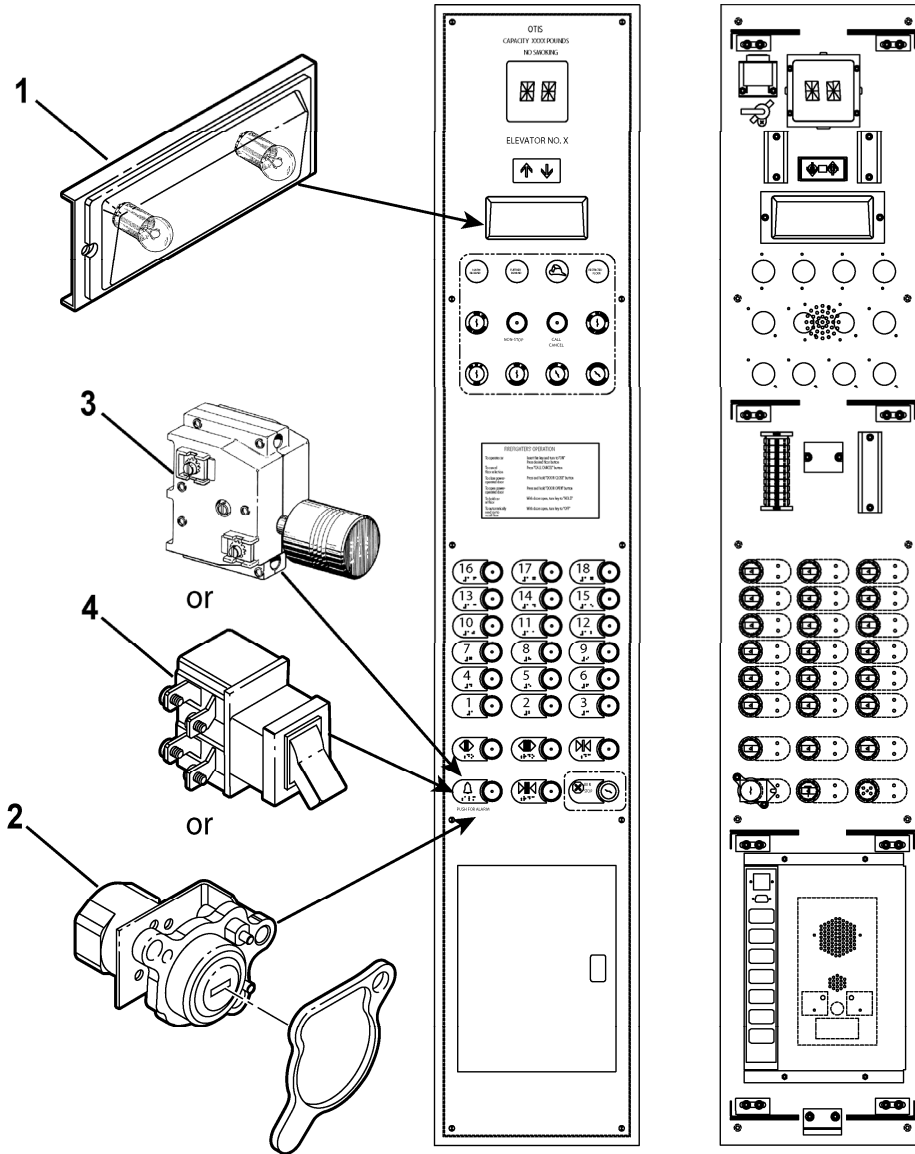
Car Direction Indicator (CDI)


31-AAA25000DE

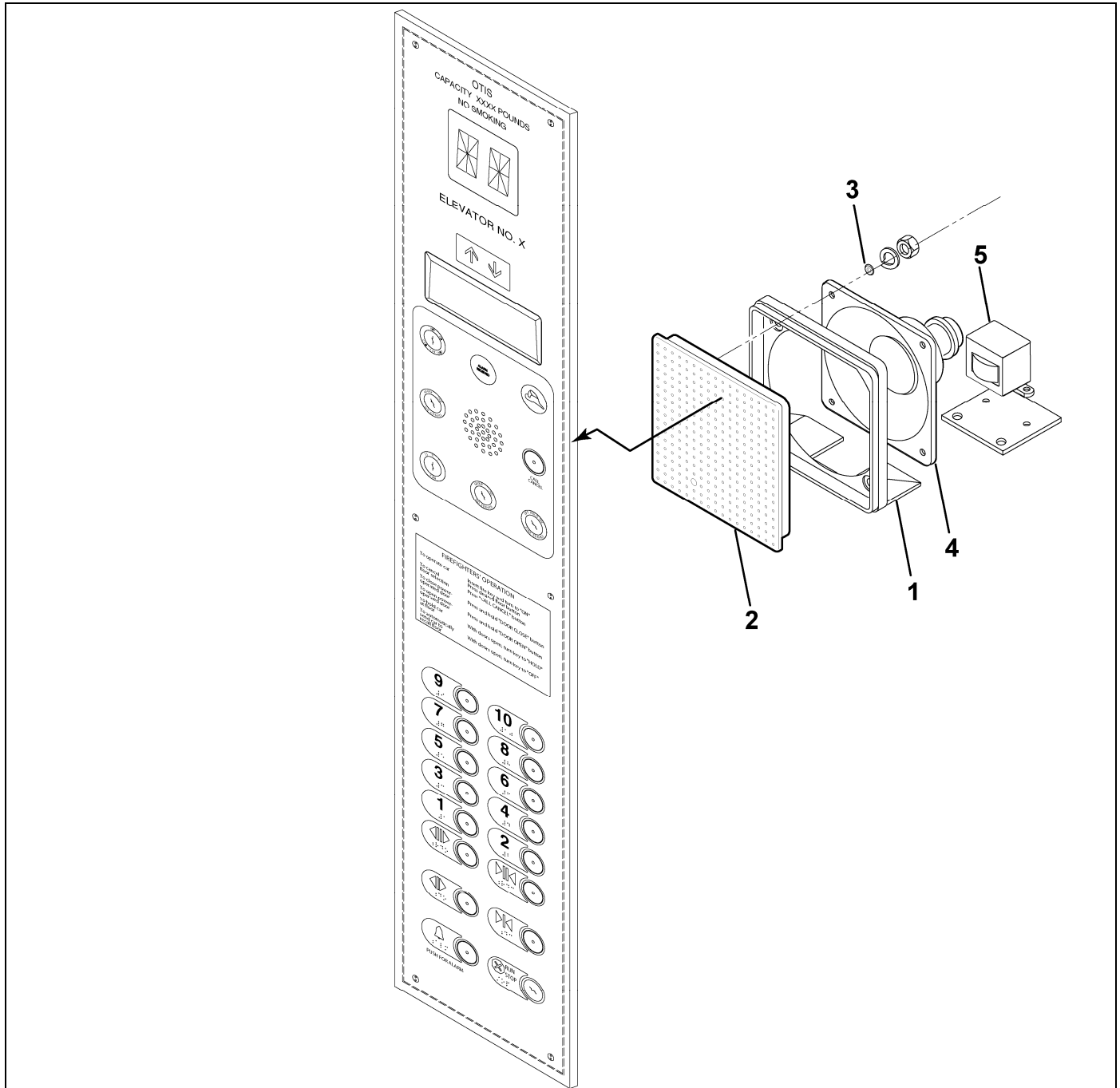


AAA25000DE		
REF. No.	PART No.	DESCRIPTION
1	6219D2	Buzzer, 115 VAC
2	6219F2	Buzzer, 30 VDC
3	443CB3	Lens, Green
	443CB1	Lens, Red
4	449BJ7	Mask
5	AAA26800AHZ2	PC Board, Car Direction Indicator (green illumination), 30 VDC
	AAA26800AHZ1	PC Board, Car Direction Indicator (red illumination), 30 VDC
	ABA26800RK2	PC Board, Car Direction Indicator (green illumination), 115 VAC
	ABA26800RK1	PC Board, Car Direction Indicator (red illumination), 115 VAC
6	AAB278AAC3	Reflector (for 115VAC CDI)
7	462GV5	Spacer (for 115 VAC buzzer)

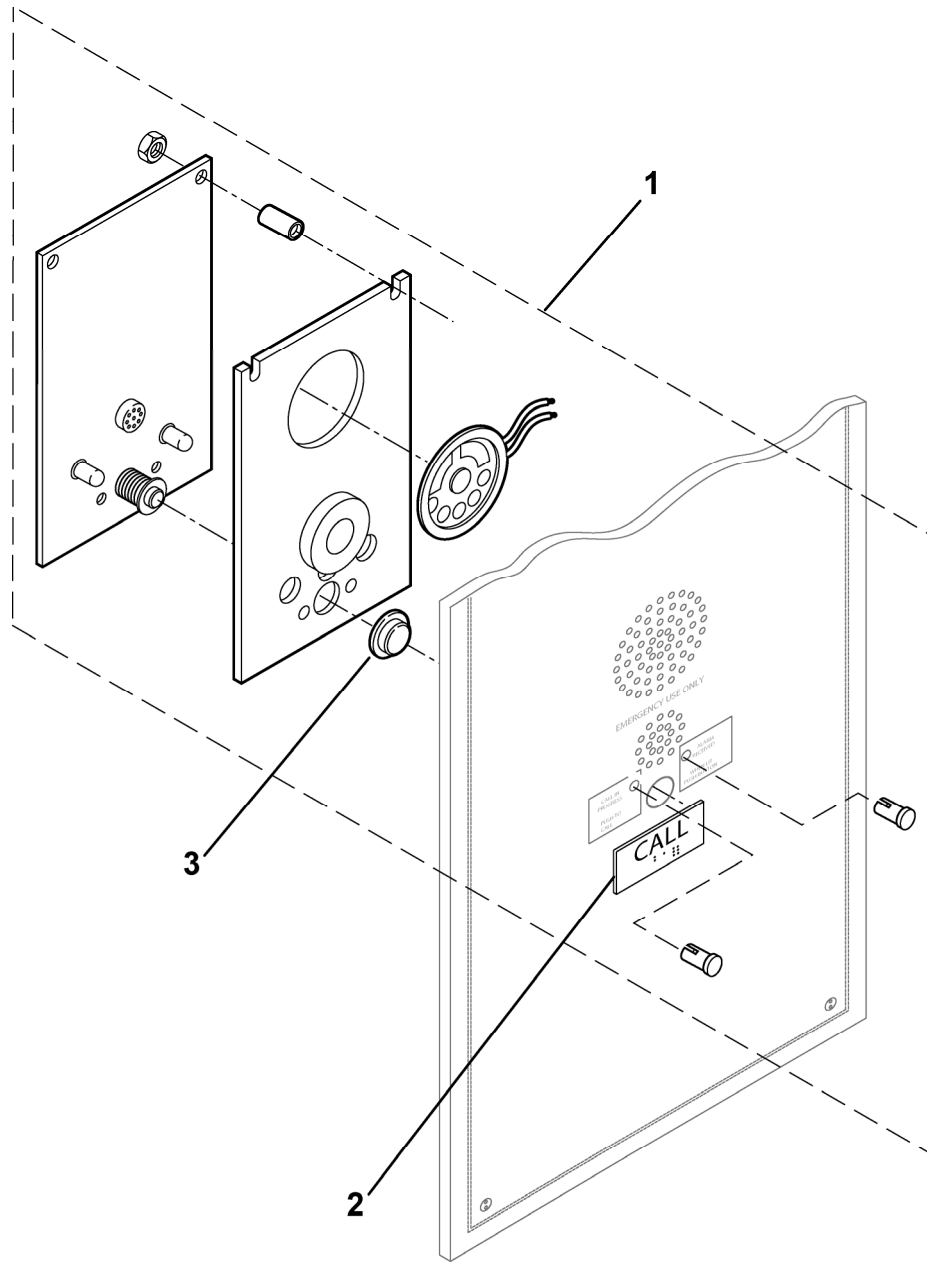
Emergency Fixtures



AAA25000DE		
REF. No.	PART No.	DESCRIPTION
1	AAA24719C2	Fixture, Emergency Light, 12 VDC
	AAA24719C1	Fixture, Emergency Light, 6 VDC
2	---	Keyswitch, Emergency Stop,  SPL 31-AAA23500F
3	7014A15	Switch, Push/Pull, Emergency Stop
4	6073F1	Switch, Toggle, Emergency Stop



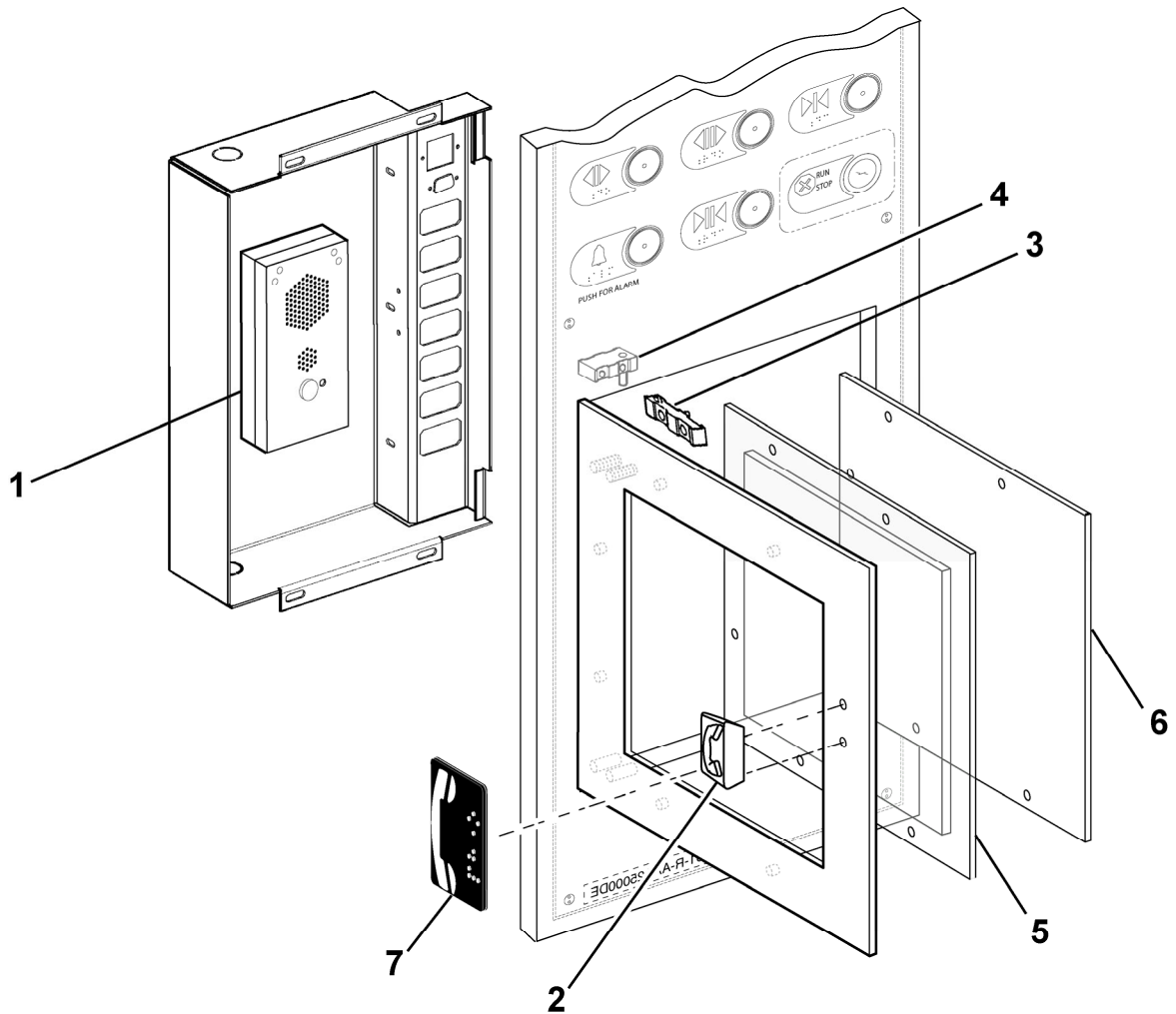
AAA2500DE		
REF. No.	PART No.	DESCRIPTION
1	396NB1	Housing, Speaker
2	AAA396JX3	Insert, Speaker
3	182H5	O-Ring
4	A433NB2	Speaker
5	609D1	Transformer



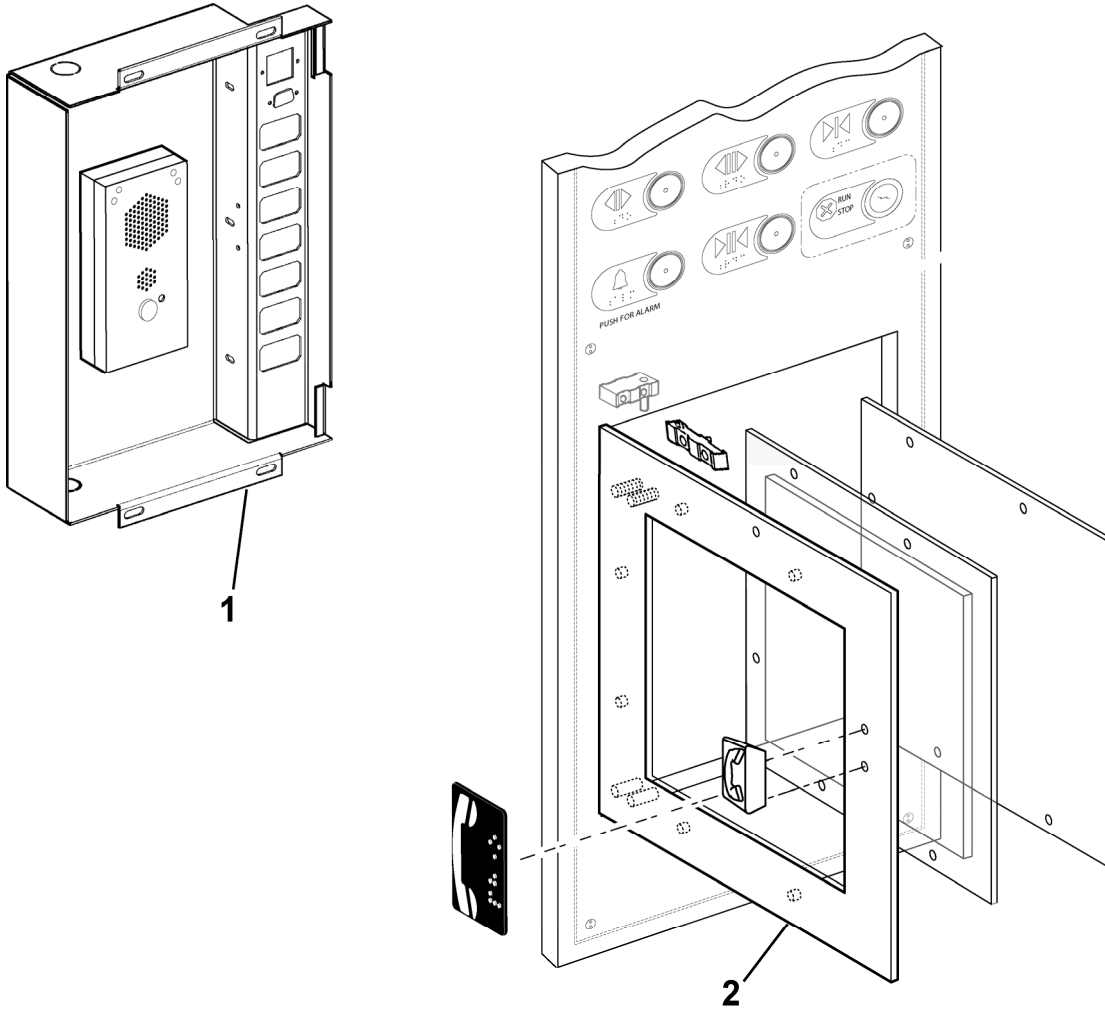
AAA2500DE		
REF. No.	PART No.	DESCRIPTION
1	CAA7145E2	Assembly, Phone, Otis Handsoff w/o Case
2	AAA250L1	Tag, Braille "Call"
3	AAA323DR5	Target, Hands-Free Phone, Brushed Bronze
	AAA323DR1	Target, Hands-Free Phone, Brushed Stainless Steel
	AAA323DR6	Target, Hands-Free Phone, Mirror Bronze
	AAA323DR2	Target, Hands-Free Phone, Mirror Stainless Steel

Service Cabinet w/Telephone

31-AAA25000DE



AAA25000DE		
REF. No.	PART No.	DESCRIPTION
1	CAA7145E1	Assembly, Phone, Otis Hands-Free w/Case (for telephone cabinet)
2	388BM4-BR7	Handle, Telephone, Brushed Bronze
	388BM4-SS4	Handle, Telephone, Brushed Stainless Steel
3	310LW1	Hinge, Female
4	310LW2	Hinge, Male
5	AAA443EA1	Lens (for door w/certificate frame + 3-row COP)
6	AAA386LAX1	Plate, Door (for door with certificate holder)
7	AAA428H2	Tag, Braille, Phone Figure



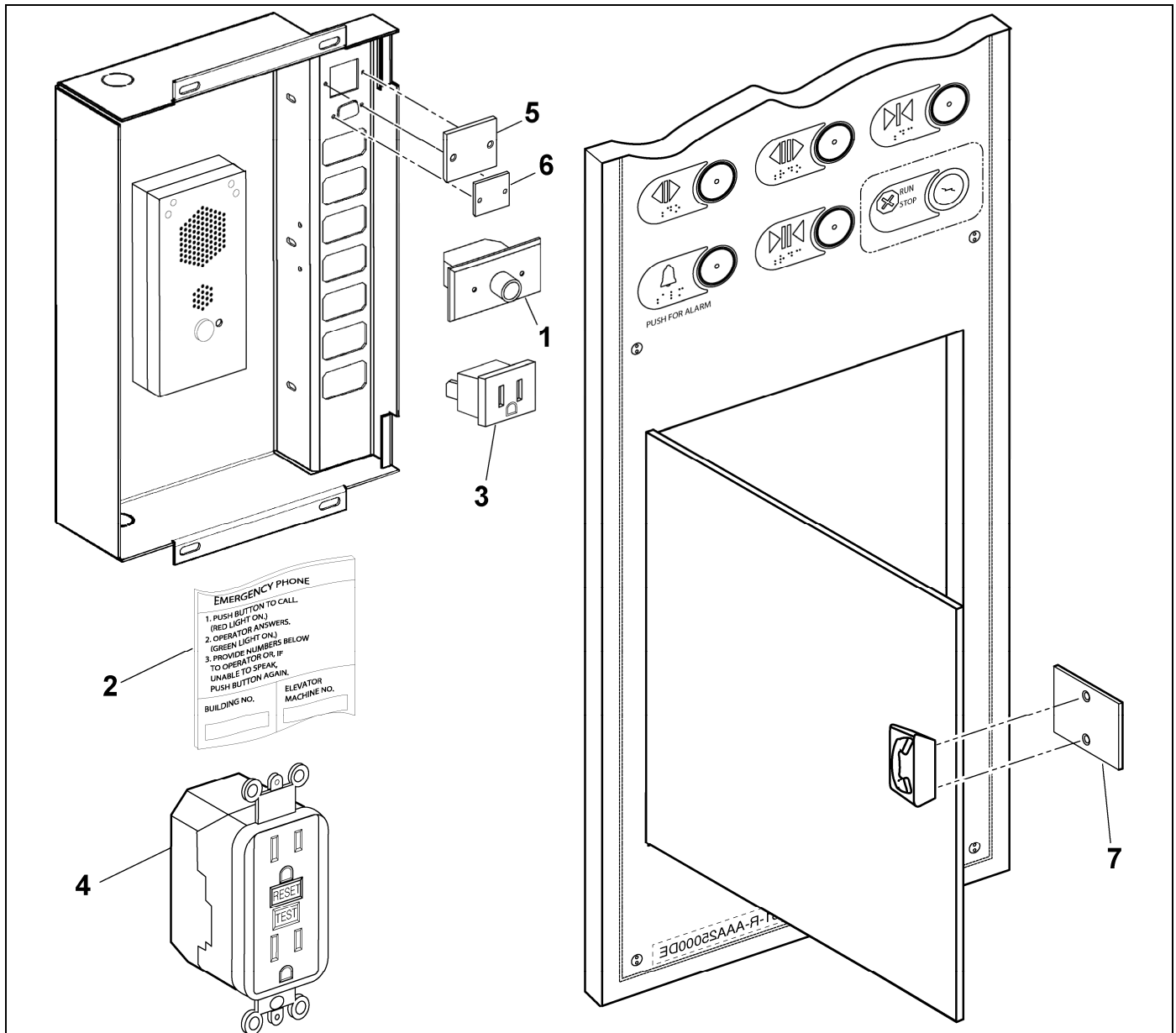
AAA2500DE			
REF. No.	PART No.	DESCRIPTION	
1	ABA308TV1	Box, Service Cabinet, (2-row COP)	
	AAA308TU1	Box, Phone Cabinet, (2-row COP)	
	AAA308PG4	Box, Phone/Service Cabinet, (3-row COP, illustrated)	
2	AAA406BT3-___	Door, Telephone (2-row COP)	Indicate Finish (see note): SS4 = Brushed Stainless Steel SS8 = Mirror Stainless Steel BR7 = Brushed Bronze BR8 = Mirror Bronze
	AAA406BT4-___	Door, Service Cabinet (2-row COP)	
	AAA406BT5-___	Door, Telephone/Service Cabinet, w/o Certificate Frame (3-row COP)	
	AAA406BT6-___	Door, Telephone/Service Cabinet, w/Certificate Frame (3-row COP)	

NOTE: Complete part number example: AAA406BT3-SS4

Continued on Next Page

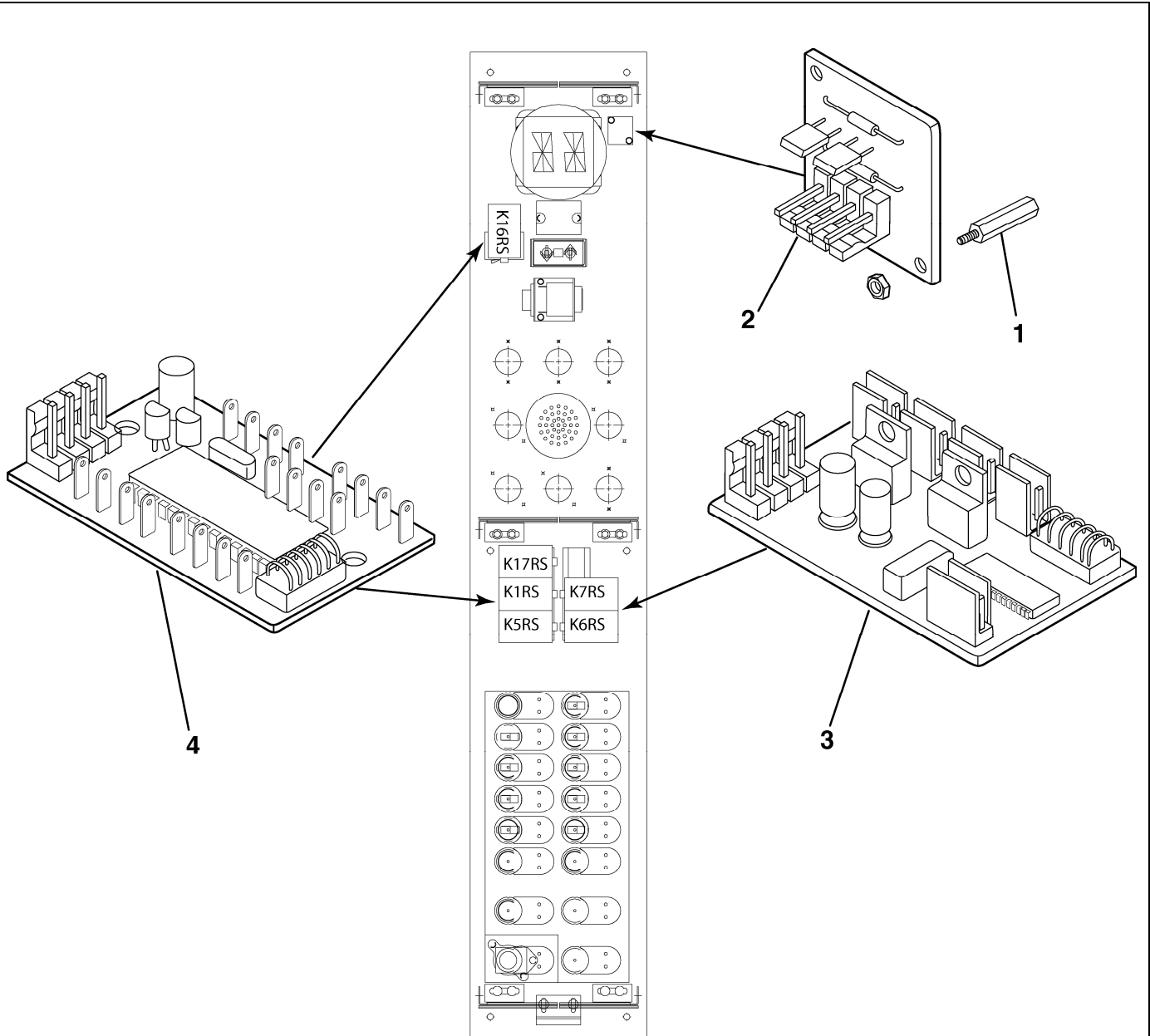
Service Cabinet w/Telephone

31-AAA25000DE



EMERGENCY PHONE
 1. PUSH BUTTON TO CALL (RED LIGHT ON.)
 2. OPERATOR ANSWERS (GREEN LIGHT ON.)
 3. PROVIDE NUMBERS BELOW TO OPERATOR OR, IF UNABLE TO SPEAK, PUSH BUTTON AGAIN.
 BUILDING NO. _____ ELEVATOR MACHINE NO. _____

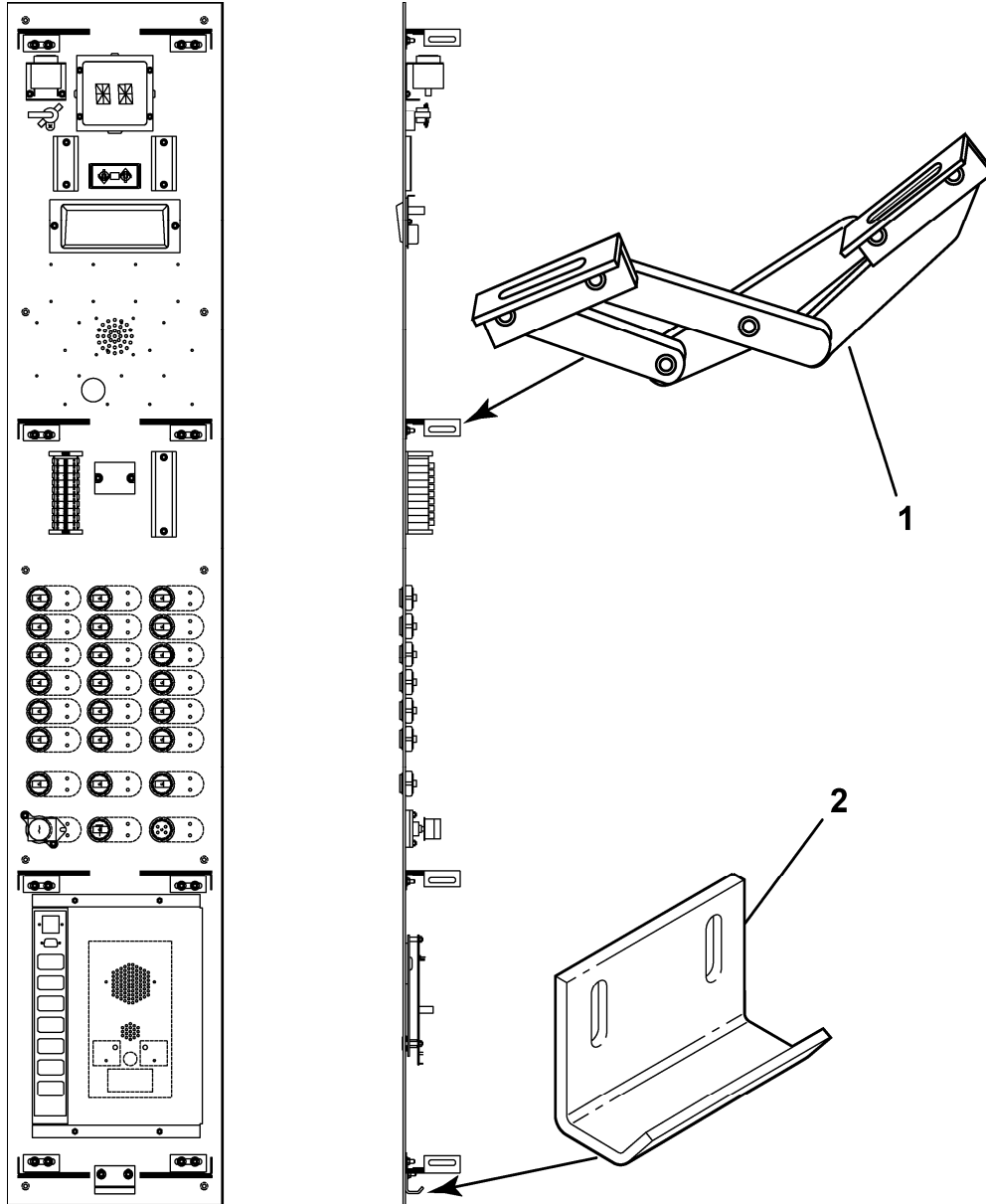
AAA25000DE		
REF. No.	PART No.	DESCRIPTION
1	AAA661F1	Dimmer, Push On/Off
2	102MP3	Label, Emergency Phone (for telephone cabinet)
3	6599R6	Outlet, 115 VAC
4	641A3	Outlet, GFI
5	AAA386KUF1	Plate, Dummy, 115 VAC Outlet
6	AAA386KUF2	Plate, Dummy, Service Tool Port
7	386BDK2	Plate, Strike (for door w/certificate frame)
	AAA386KUF3	Plate, Strike (for door w/o certificate frame)





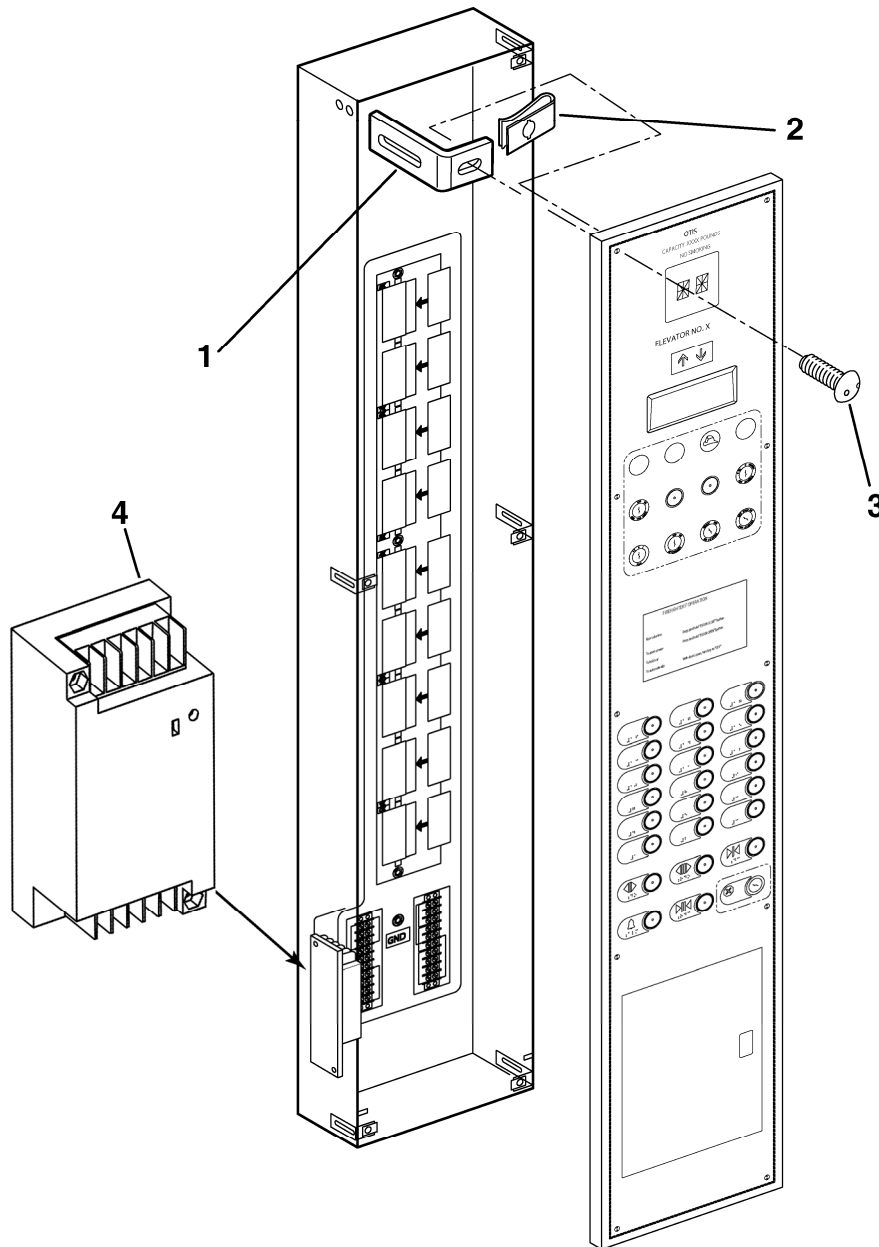
AAA25000DE		
REF. No.	PART No.	DESCRIPTION
1	354AG107	Distance Piece
2	9693J2	PC Board, Line Terminator (for discrete wiring w/30 V CPI)
	9693J1	PC Board, Line Terminator (for serial communication)
3	GCA25005B10	PC Board, Remote-Station 14 (K5RS – K10RS)
4	GEA23550D10	PC Board, Remote-Station 5 (K1RS, K16RS, K17RS)

Frame Parts

31-AAA25000DE



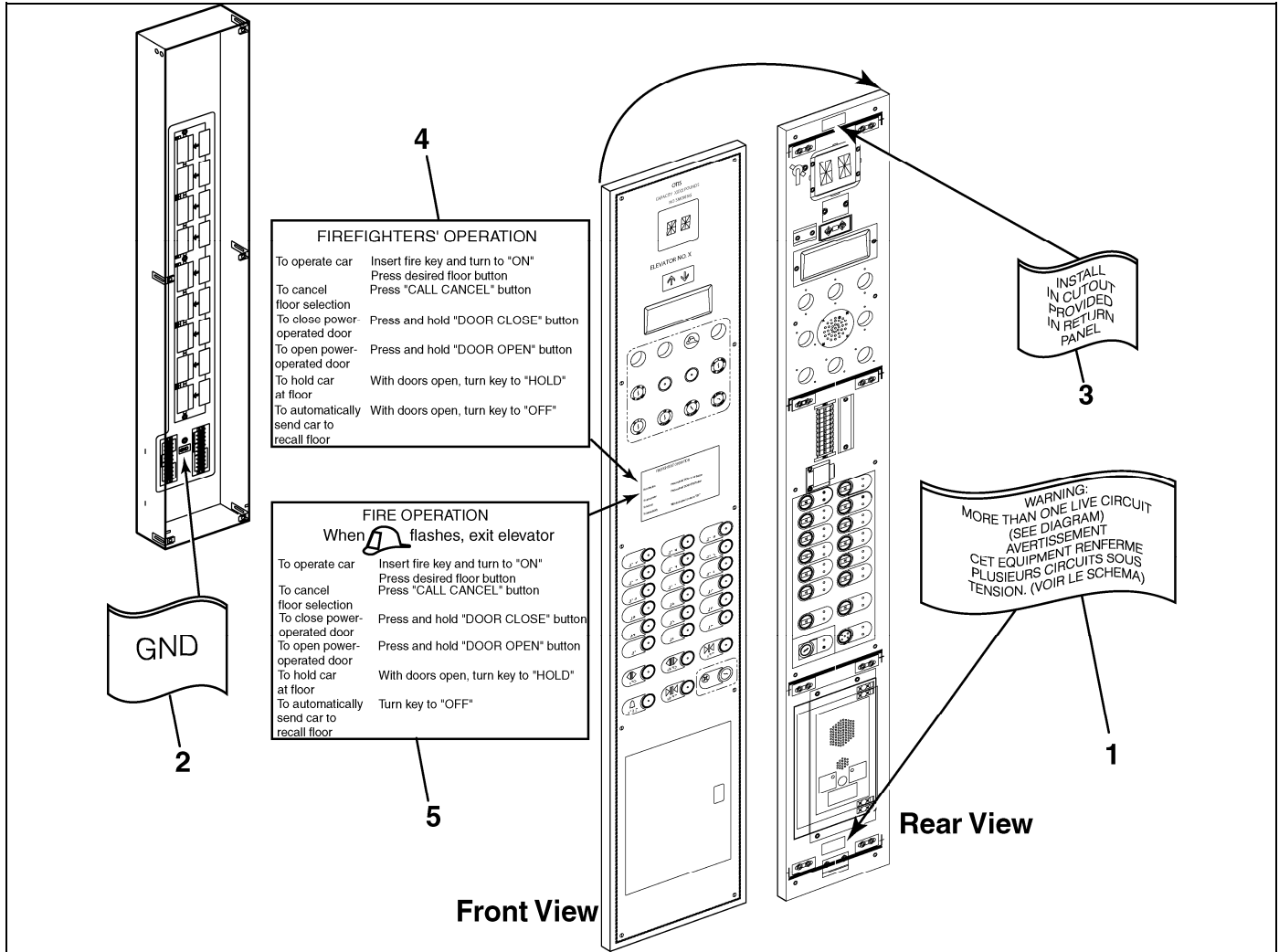
AAA25000DE		
REF. No.	PART No.	DESCRIPTION
1	391BD1	Hinge, 
	391BD2	Hinge, 
2	ABA316FUE1	Plate, Skid



AAA25000DE		
REF. No.	PART No.	DESCRIPTION
1	AAA283ALL5	Clip, Faceplate Mounting
2	72BX18	Nut, Speed
3	124DK1	Screw, Tamper-Resistant, Stainless-Steel Brushed Finish
	124DK2	Screw, Tamper-Resistant, Brushed Bronze Finish
	124DK13	Screw, Tamper-Resistant, Stainless-Steel Mirror Finish
	124DK14	Screw, Tamper-Resistant, Mirror Bronze Finish
4	AAA621AX6	Supply, Power, 5 V Output

Labels

31-AAA2500DE



AAA2500DE		
REF. NO.	PART or ML	DESCRIPTION
1	102LV2	Label, Caution
2	102NE1	Label, Ground
3	102NN5	Label, Mounting
4	AAA102VB37	Label, Firefighter's Instruction Plate, Brushed Stainless-Steel Finish
	AAA102VB38	Label, Firefighter's Instruction Plate, Mirror Stainless-Steel Finish
	AAA102VB39	Label, Firefighter's Instruction Plate, Brushed Bronze Finish
	AAA102VB40	Label, Firefighter's Instruction Plate, Mirror Bronze Finish
5	AAA102VB74	Label, Firefighter's Instruction Plate, ANSI 2000, Mill 4 Stainless-Steel Finish
	AAA102VB75	Label, Firefighter's Instruction Plate, ANSI 2000, Brushed Stainless-Steel Finish
	AAA102VB76	Label, Firefighter's Instruction Plate, ANSI 2000, Mirror Stainless-Steel Finish
	AAA102VB77	Label, Firefighter's Instruction Plate, ANSI 2000, Brushed Bronze Finish
	AAA102VB78	Label, Firefighter's Instruction Plate, ANSI 2000, Mirror Bronze Finish