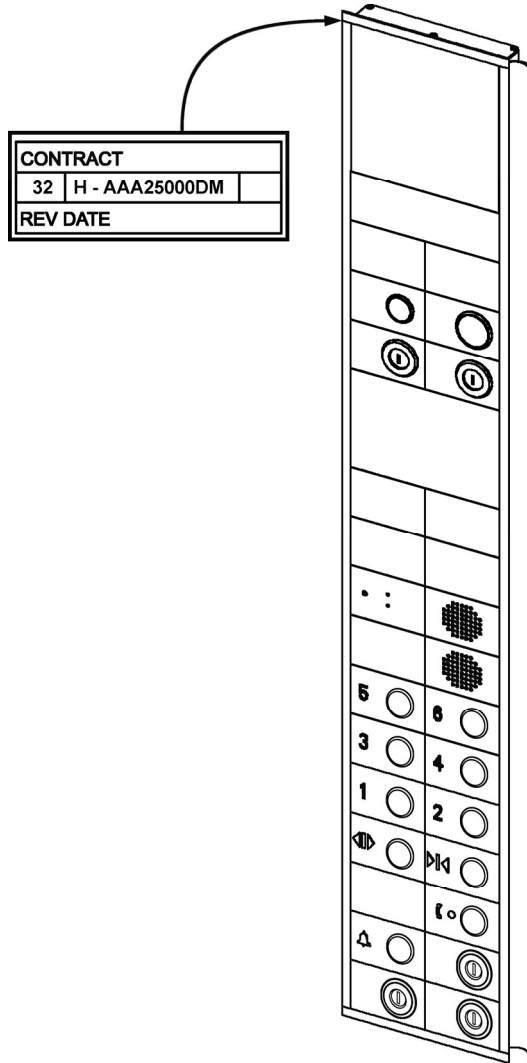


**Car Operating Panel
(Series 5 w/NEL Buttons)**

Spare Parts Leaflet

31-AAA25000DM

December 15, 2003 / Page 1 of 9



OTIS

Safety First!

SERVICE ENGINEERING

Otis Elevator Company

Bloomfield, Connecticut USA

Leaflet Description

The spare parts leaflet defines the lowest replaceable units (LRUs) for this car operating panel. The car operating panel is available in a two, three, four, or five column arrangement. The illustrations used in the leaflet represent a typical two column arrangement.

Leaflet Revisions

Date Revised	Subject Matter Expert	Reason for Revision
December 15, 2003	Bill Mattox	New SPL.

Related Drawings

Drawing No.	Title	Drawing No.	Title
AAA2500DM	Car Operating Panel Series 5 NEL Button Arrangement	AAA2500DL	COP Power Supply
ABA25400AK	COP Back Panel PCB Holder		

Related Documents

Document ID	Title
SPL 31-AAA23500AK	Modular Luxury Fixture: Micro-Motion III Pushbutton
SPL 31-AAA23500BY	Luxury Fixture: Double-Insulated Finish Micro-Motion III Pushbutton
SPL 31-AAA23851A	Keyswitch Module
SPL 31-AAA23851B	Jewel Module
SPL 31-MAA250AC	Fixture, Car, Tablets

Subject Matter Expert

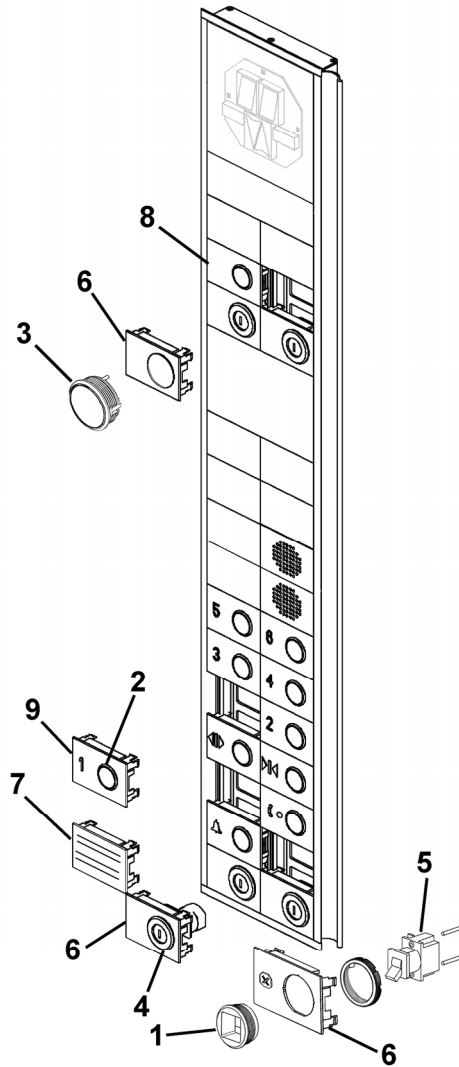
Name	Department
Bill Mattox	NSAASIT, Bloomington

About Spare Parts Leaflets...


This document lists the lowest replaceable units (LRUs) for the standard version of the product. The LRUs are chosen by a team of Otis associates representing engineering and manufacturing.

While the goal of this document is to make parts identification as easy as possible, the document cannot be all-inclusive. Elevator and escalator contracts classified as "special" or "custom" are not addressed here. For such contracts, please refer to specified information, the contract folder, TIPS, Field Education Articles, Construction Letters, etc. for further information.

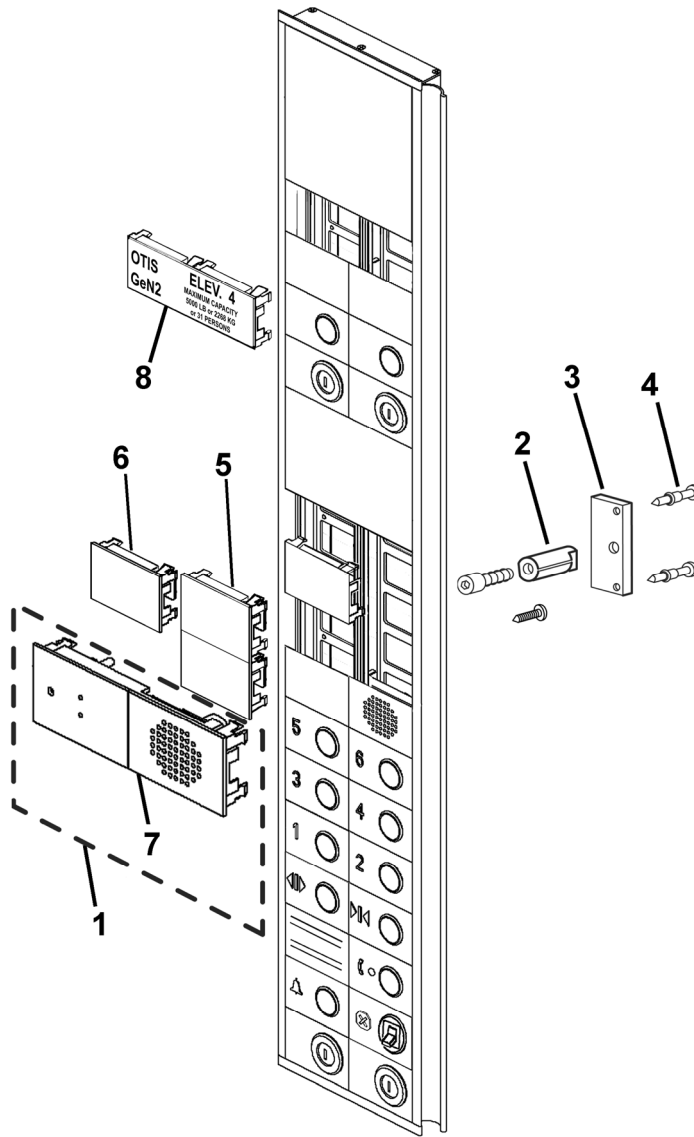
If you have any suggestions about this document, please contact the subject matter expert listed on this page.




AAA2500DM

REF. No.	PART No.	DESCRIPTION	 SPL
1	MAA396W1	Housing, for Run/Stop Toggle Switch	---
2	---	Module, Button, Stainless Steel Finish	31-AAA23500AK
	---	Module, Button, Bronze Finish	31-AAA23500BY
3	---	Module, Jewel	31-AAA23851B
4	---	Module, Keyswitch	31-AAA23851A
5	6073F6	Switch, Toggle, Run/Stop	---
6	---	Tablet (type MAA250AC), for Keyswitches and Jewels	31-MAA250AC
7	---	Tablet (type MAA250AD), for Help/ADA Phone	
8	---	Tablet (type MAA250AK), for Call Cancel Button	
9	---	Tablet (type MAA250AP), for NEL Buttons	

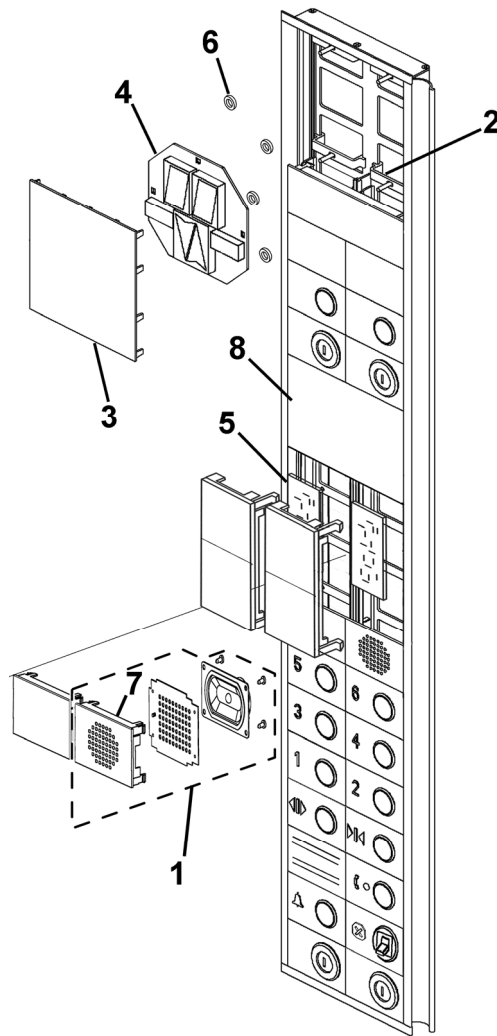
Speaker Assembly




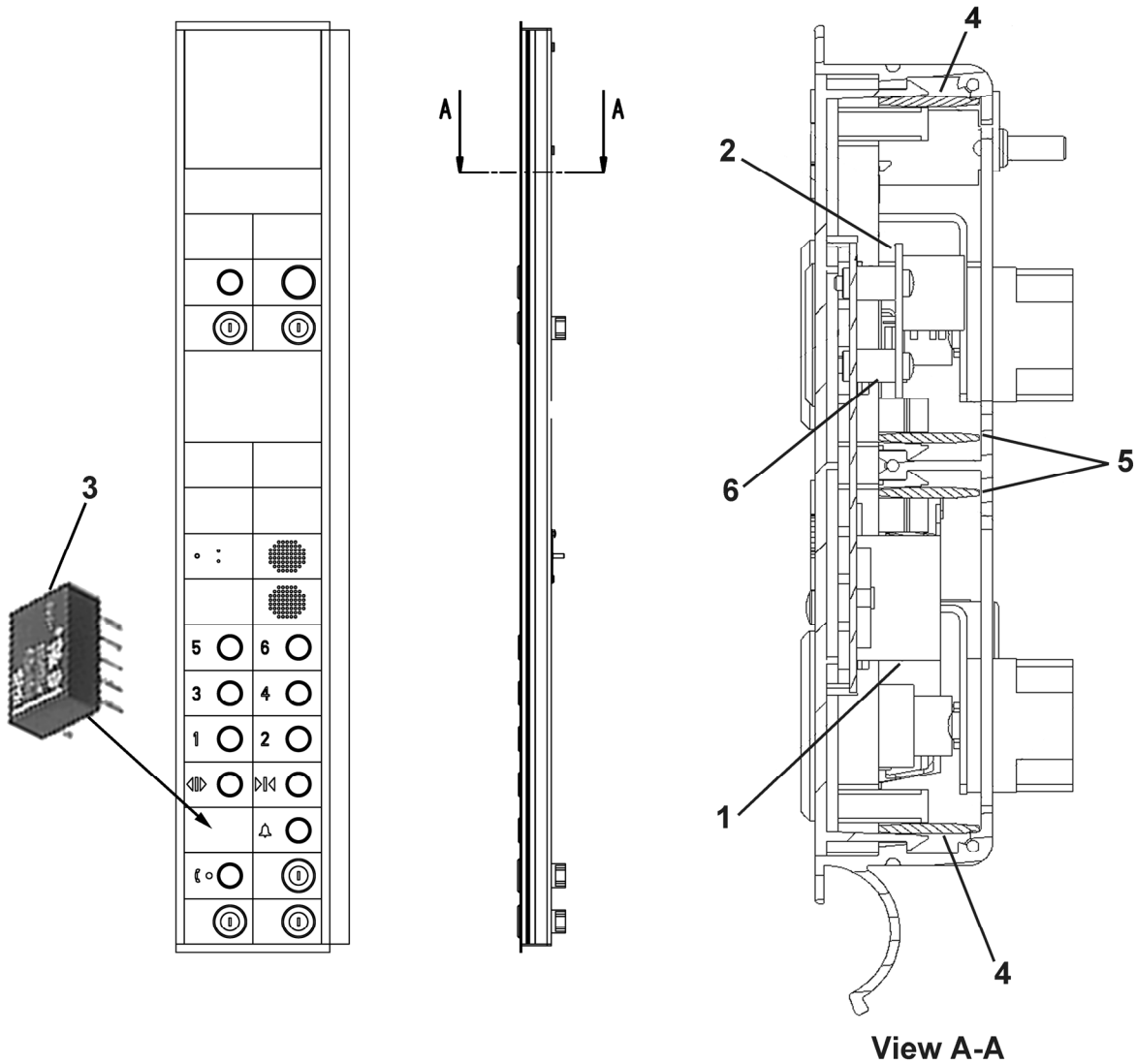
AAA2500DM			
REF. No.	PART No.	DESCRIPTION	 SPL
1	---	Assembly (type MAA250AN), Speaker and Microphone	31-MAA250AC
2	MAA396V1	Housing	---
3	MAA386NP1	Plate, Locking	---
4	MAA141A1	Rivet	---
5	MAA250AE1	Tablet, Blank-Double/PCB Holder	---
6	---	Tablet, Blank, Single (type MAA250AD)	31-MAA250AC
7	---	Tablet, for Speaker and Microphone (type MAA250AJ)	
8	---	Tablet, Data Plate (type MAA250AF)	

Small Display & COP 8 I/O PCB

31-AAA2500DM



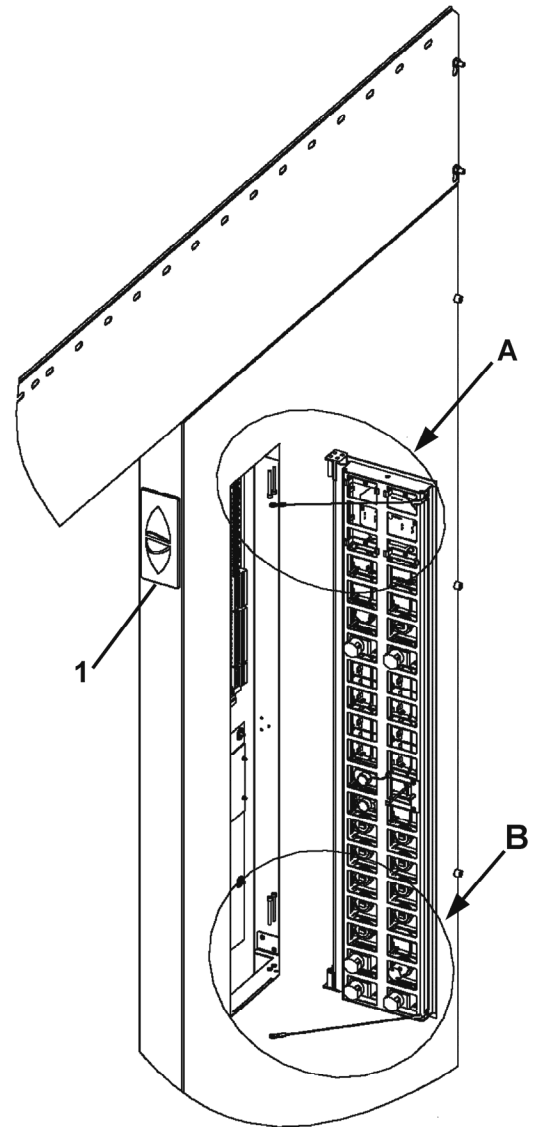
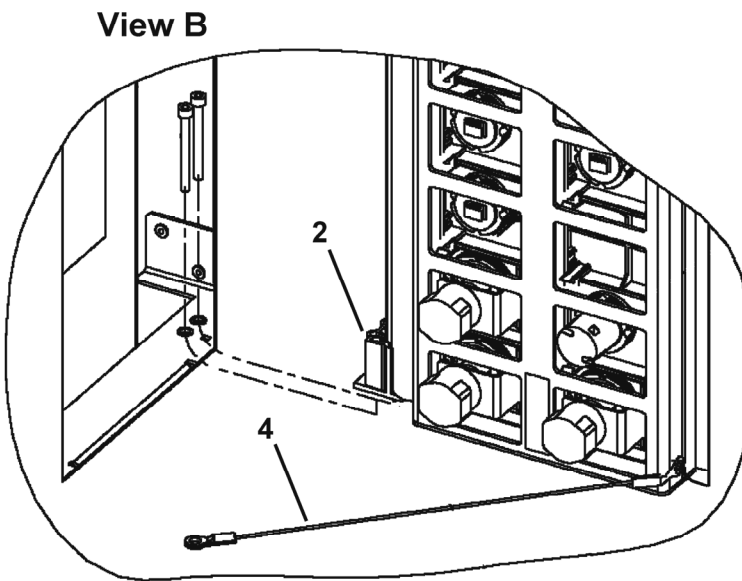
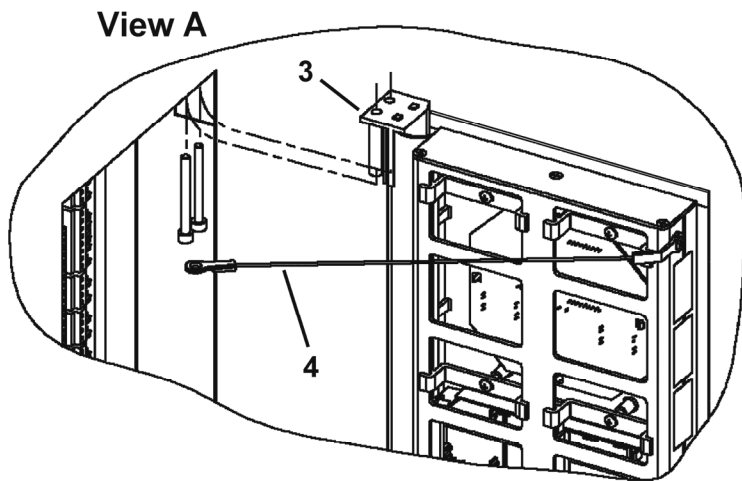
AAA2500DM			
REF. No.	PART No.	DESCRIPTION	 SPL
1	MAA250AN2	Assembly, Speech	
2	AAA180JH1	Holder	---
3	AAA443EV1	Lens, for 2 or 4 Column COP	---
	AAA443EV2	Lens, for 3 or 5 Column COP	---
4	AAA23600X501	PC Board, 211 Discrete PI/Jewel/Direction Small Display	22-AAA23600X
	AAA23600X500	PC Board, RSL, PI/Jewel/Direction Small Display	
5	ABA26800AHE1	PC Board, COP 8 I/O	---
6	AAA172TY1	Ring (screw retainer)	---
7	MAA250AJ2	Tablet, Speech	
8	---	Tablet (type MAA250AL), No Smoking, SES Phase 2 In-Car Instructions, PCB Holder	31-MAA250AC




AAA25000DM		
REF. No.	PART No.	DESCRIPTION
1	6219F3	Buzzer, SES Phase 1
2	9693J2	PC Board, Line Terminator, RSL
3	AAA613DA2	Relay, for Alarm Button (mounts taped to backside of tablet)
4	ABA256AM1	Shim (COP tablet retainer), 935 mm L
5	ABA256AM2	Shim (COP tablet retainer), 880 mm L
6	354CD108	Standoff, Distance Piece

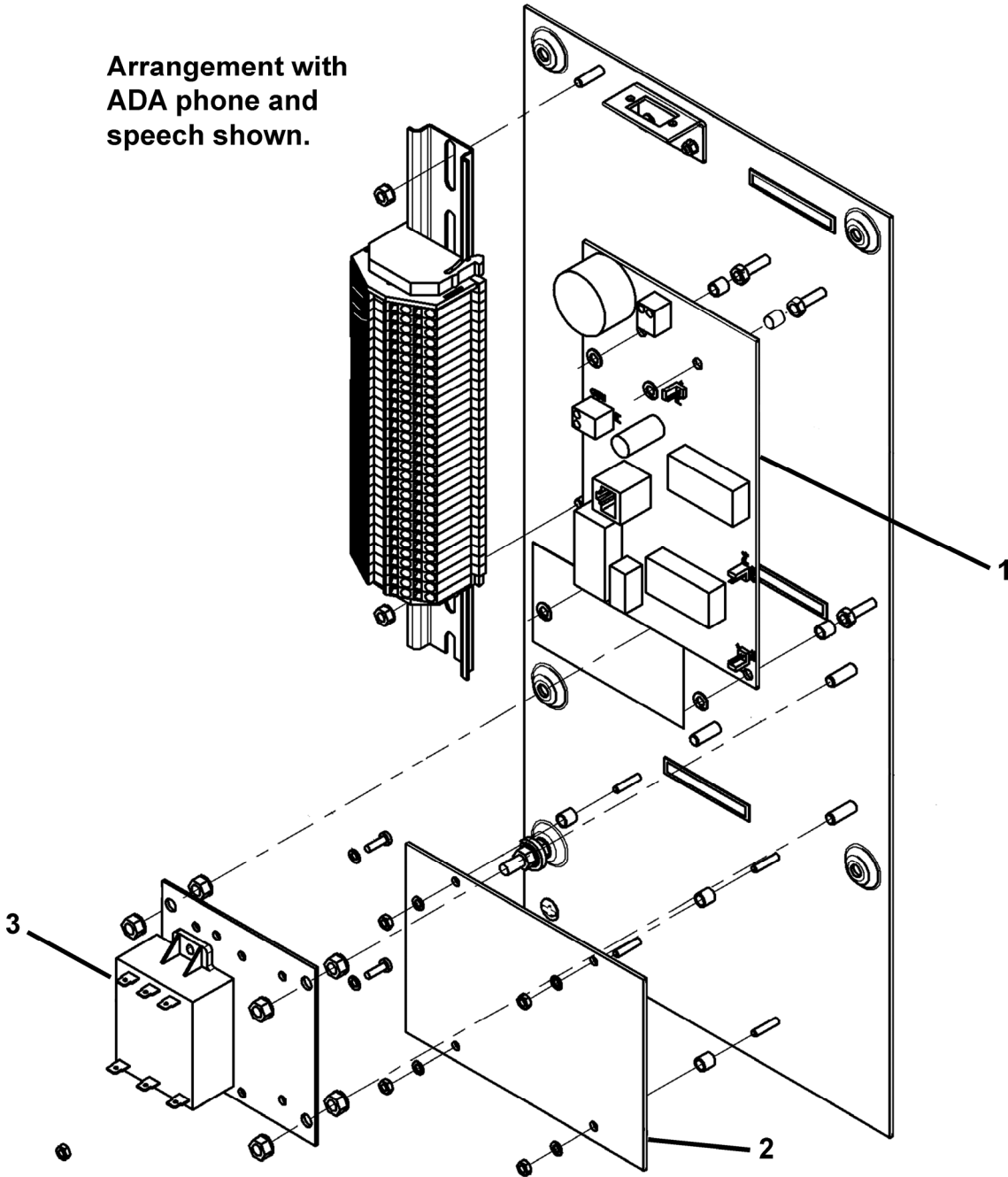
Hinges and Stops

31-AAA2500DM



AAA2500DM		
REF. No.	PART No.	DESCRIPTION
1	---	Assembly, Lantern, In-Car,  SPL 34-AAA23550U
2	MAA471FA2	Hinge, Lower
3	MAA471FA1	Hinge, Upper
4	MAA477K1	Stop, for 2 Row COP
	MAA477K2	Stop, for 3 Row COP
	MAA477K3	Stop, for 4 Row COP
	MAA477K4	Stop, for 5 Row COP

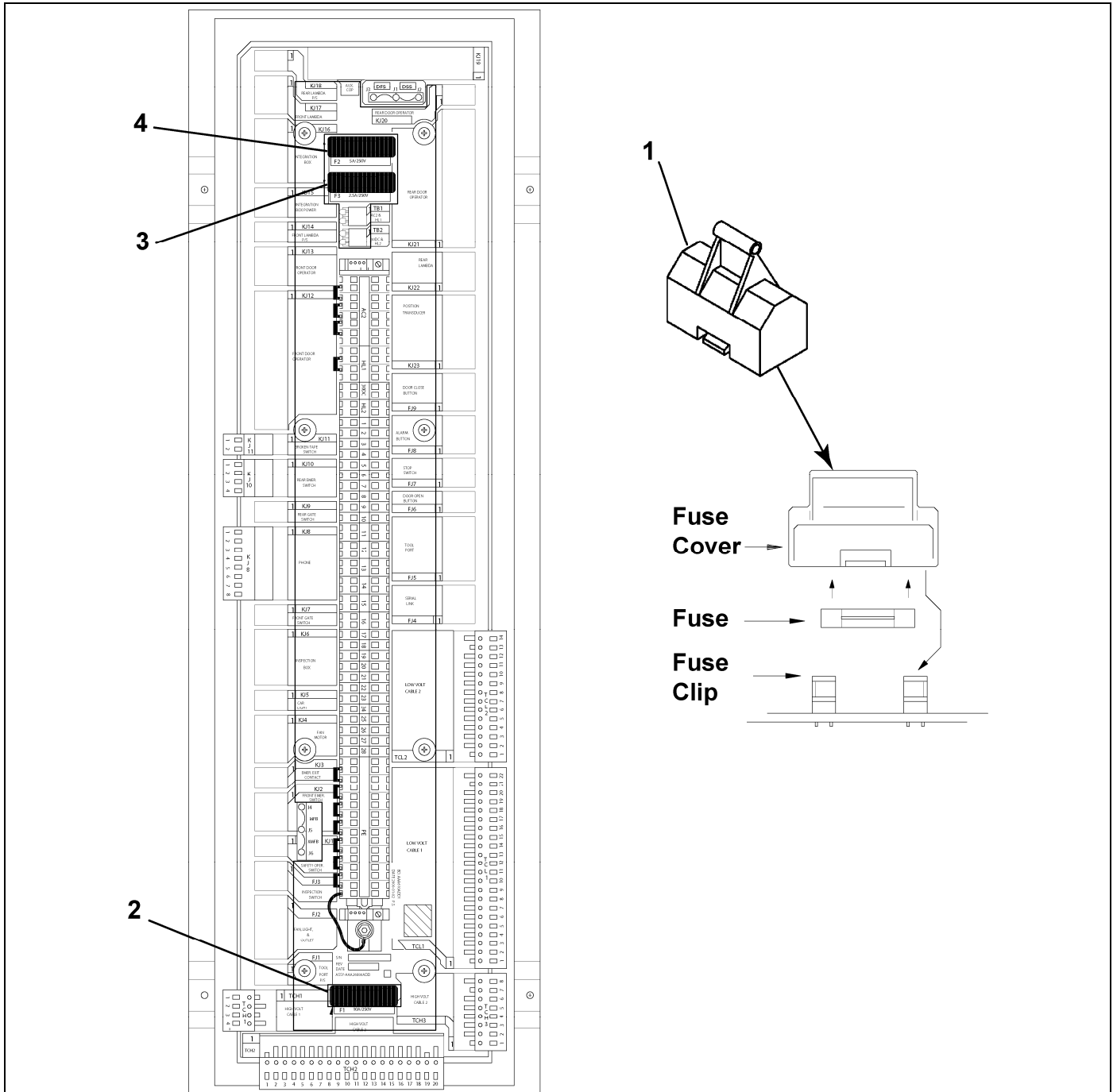
Arrangement with
ADA phone and
speech shown.



REF. No.	PART No.	DESCRIPTION
1	AAA25300P1	PC Board, COP Phone
2	ABA26800ACW1	PC Board, Speech
3	AAA621AX6	Supply, Power

COP Back Panel

31-AAA2500DM



AAA2500DM		
REF. No.	PART No.	DESCRIPTION
1	AAA653L100	Cover, Fuse
2	AAA375CJ4	Fuse, 10 A, 500 VAC (F1)
3	AAA375BR11	Fuse, 2.5 A, 500 VAC (F3)
4	AAA375CJ3	Fuse, 5 A, 500 VAC (F2)