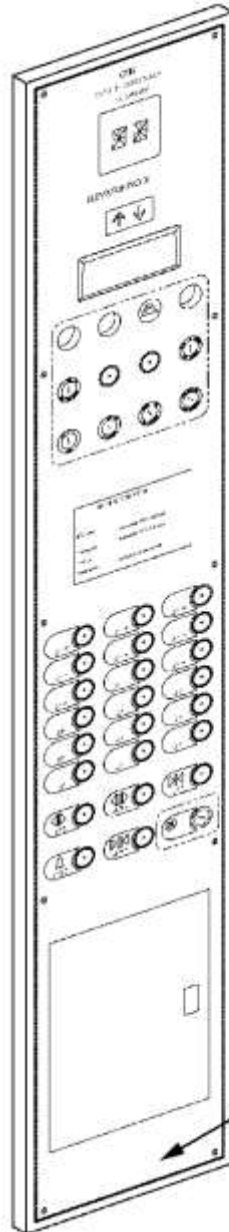


**Car Operating Panel M3
Series w/PIDI Combo and
ADA Speech Board
(Modernization)**

**Spare Parts Leaflet
31-AAA25000DQ**

March 9, 2022 / Page 1 of 18



31 R - AAA25000DQ

OTIS

Safety First!

**SERVICE ENGINEERING
Otis Elevator Company
Bloomfield, Connecticut USA**

Leaflet Description

This spare parts leaflet covers all the LRUs for the two- and three-row car operating panels with position indicator, direction indicator (PIDI) combo and ADA speech board.

Leaflet Revisions

Date Revised	Subject Matter Expert	Reason for Revision
August 18, 2005	Joseph D. Zych	New SPL
February 20, 2013	Joseph D. Zych	Removed p/n AAA102VB35 from p. 18
March 9, 2022	Vadzim Fedarenka	Corrected Ref. 2 on p. 9 from AAA396JX3 to AAA396JX1

Related Drawings

Drawing No.	Title
AAA2500DQ	Assembly, Modernization, Car Operating Panel w/PIDI Combo and ADA Speech Board

Related Documents

Document ID	Title
SPL 31-AAA250G	Fixtures - Advanced, Graphic Inserts
SPL 31-AAA270BM	Keyswitch Adaptors Light Rings Engraved Collars
SPL 31-AAA431AF	Keylock
SPL 31-AAA23500AK	Modular Luxury Fixture: Micro-Motion III Pushbuttons
SPL 31-AAA23500AL	Jewel
SPL 31-AAA23500BY	Luxury Fixture: Double-Insulated Finish Micro-Motion III Pushbutton
SPL 31-AAA23500F	Keyswitch Assemblies: Light Ring & Engraved Collar Version
SPL 31-AAA23500T	Phone Jack Assembly
SPL 31-AAA7144CL	Firefighter's Cabinet (Series 2 and 4 COP)

Subject Matter Expert

Name	Department
Vadzim Fedarenka	OSC Service Engineering

About Spare Parts Leaflets...

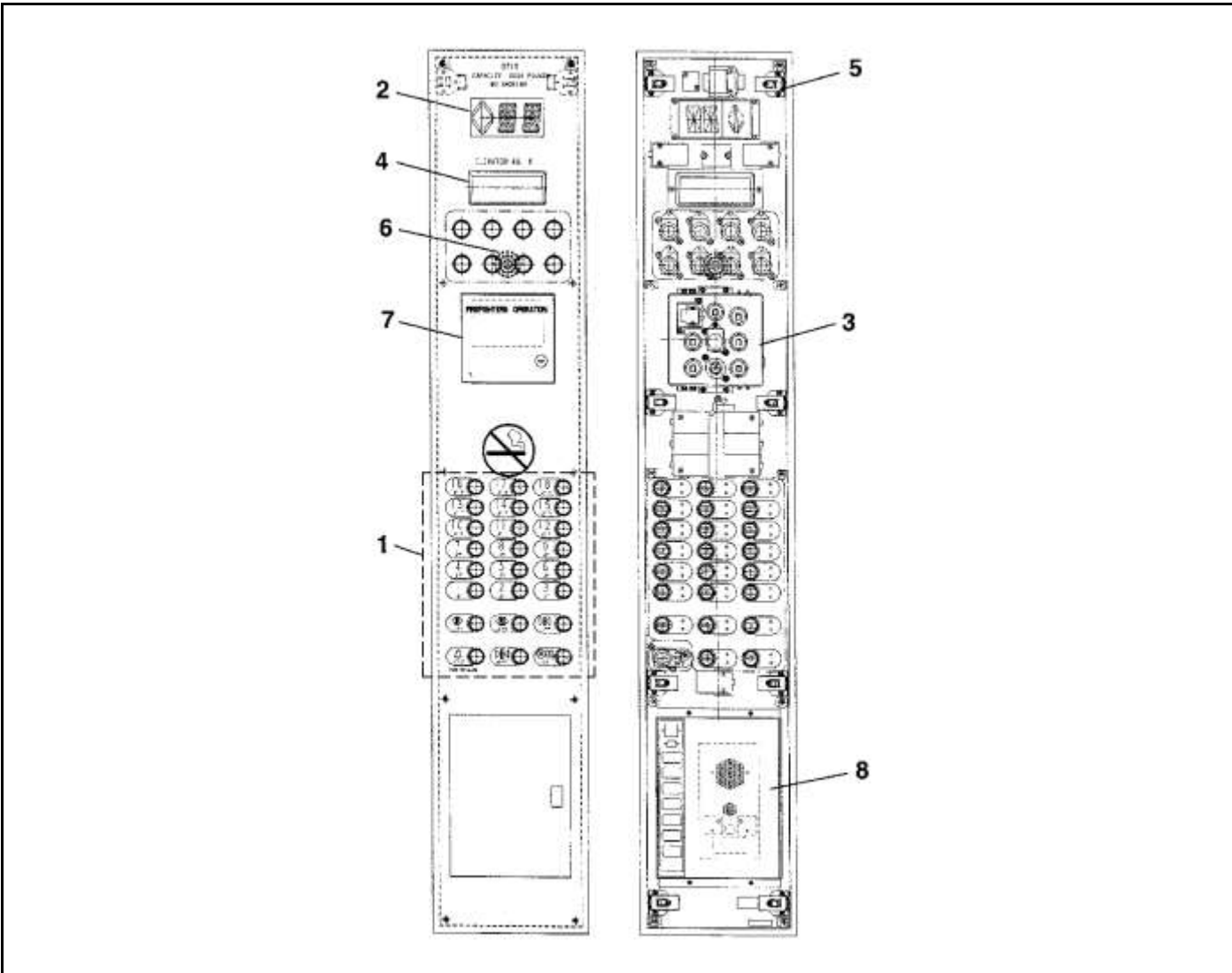
This document lists the lowest replaceable units (LRUs) for the standard version of the product. The LRUs are chosen by a team of Otis associates representing engineering and manufacturing.


While goal of this document is to make parts identification as easy as possible, the document cannot be all-inclusive. Elevator and escalator contracts classified as "special" or "custom" are not addressed here. For such contracts, please refer to specified information, the contract folder, TIPS, Field Education Articles, Construction Letters, etc. for further information.

If you have any suggestions about this document, please contact the subject matter expert listed on this page.

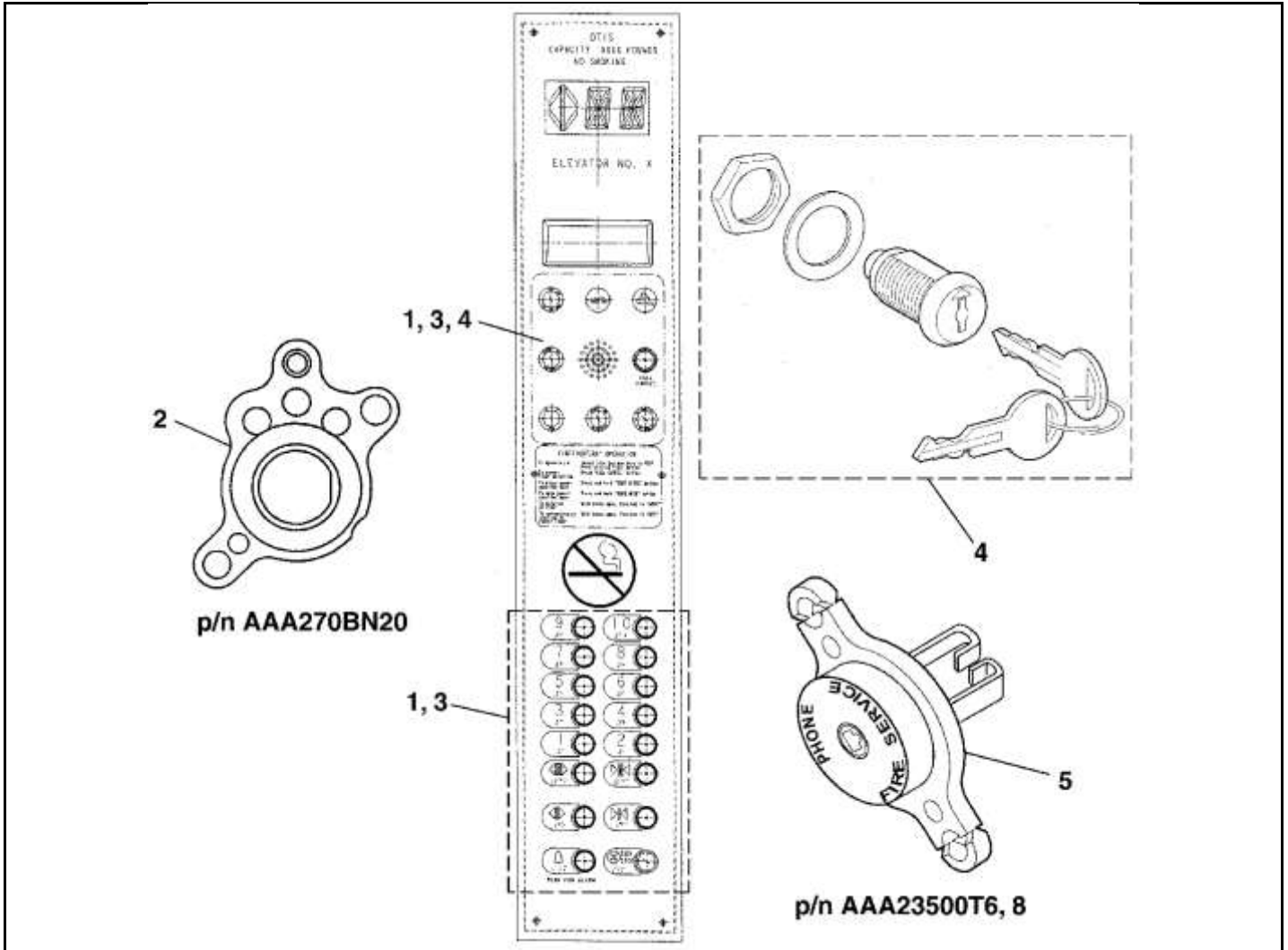
Table of Contents

31-AAA2500DQ



REF. No.	PAGE No.	DESCRIPTION
1	---	Braille Plates, Type AAA250K,  SPL 31-AAA250G
2	5, 6	Position Indicator Direction Indicator (PID)
3	7	Fire Service Cabinet
---	17	Connector Mounting Plate and Speechboard
4	8	Emergency Fixtures
5	16	Frame Parts
6	9	Intercom
7	18	Labels
---	15	PC Boards
8	10-14	Phone/Service Cabinet

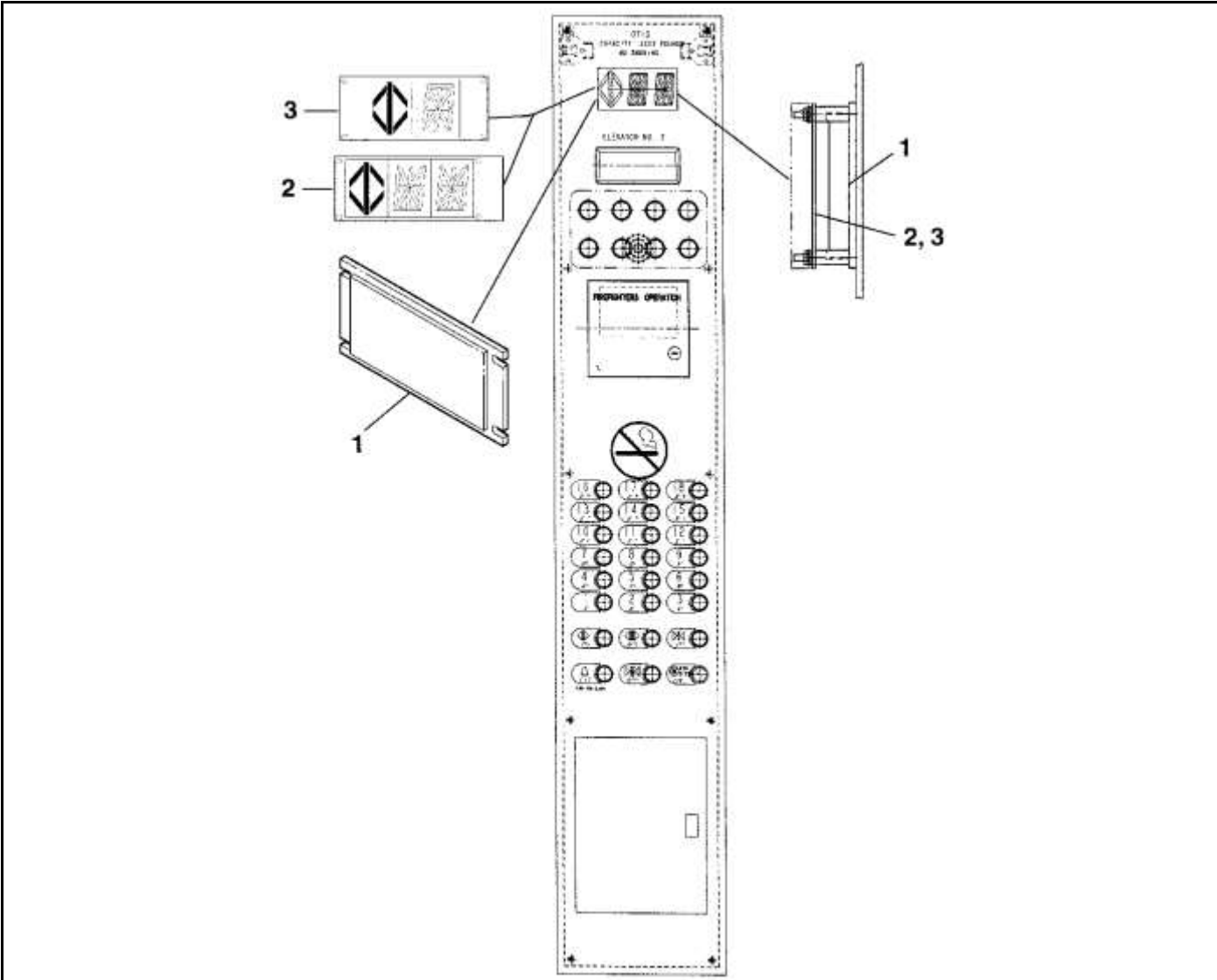
Continued on Next Page



REF. No.	PART No.	DESCRIPTION	
1	---	Buttons, Micromotion III, Type AAA23500AK, SPL 31-AAA23500AK	
	---	Buttons, Micromotion III, Luxury, Type AAA23500BY, SPL 31-AAA23500BY	
	---	Buttons, Vandal Resistant, Type AAA23500AM, SPL 31-AAA23500AK	
	---	Buttons, Vandal Resistant, Type AAA23500BZ, SPL 31-AAA23500BY	
2	AAA270BN20	Collar, SPL 31-AAA270BM	
3	---	Jewels, Type AAA23500AL, SPL 31-AAA23500AL	
	---	Keyswitch Module, Conn. SES, Type ABA23500K, SPL 31-AAA23500F	
	---	Keyswitch Module, MEDECO, Type ABA23500R, SPL 31-AAA23500F	
	---	Keyswitch Module, SES Northeast Lock, Type ABA23500W, SPL 31-AAA23500F	
	---	Keyswitch Module, w/Engraved Collar, Type ABA23500G, SPL 31-AAA23500F	
	---	Keyswitch, Emergency Stop, Type ABA23500F, SPL 31-AAA23500F	
4	AAA431AF1	Lock, w/Key p/n 6410W-UTA	
5	AAA23500T6	ANSI	SPL 31-AAA23500T
	AAA23500T8	B44	

Position Indicator Direction Indicator (PIDI)

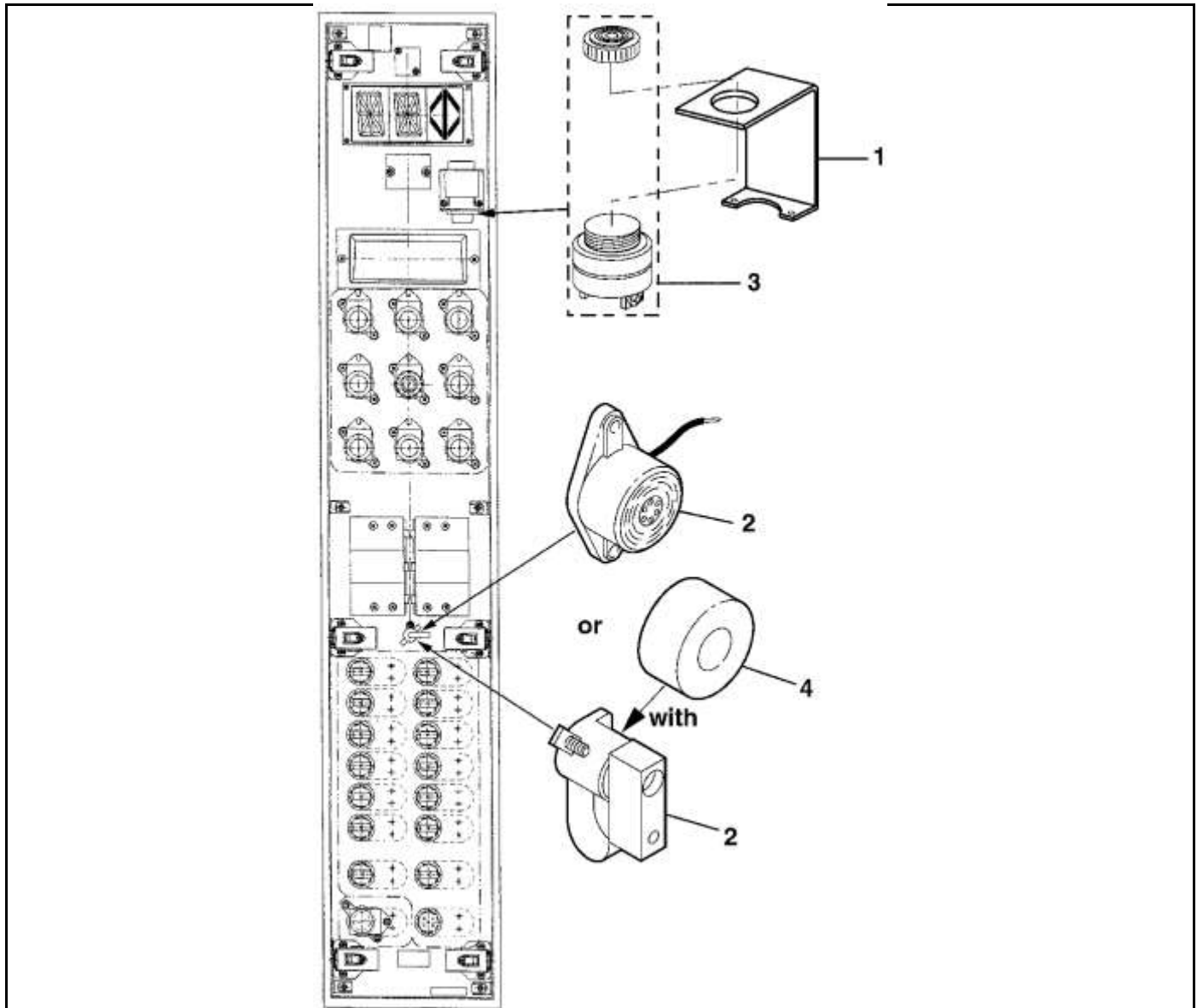
31-AAA25000DQ



	AAA25000DQ	
REF. No.	PART No.	DESCRIPTION
1	AAA443EC1	Lens, Car Position Indicator Direction Indicator, Red
	AAA443EC5	Lens, Car Position Indicator Direction Indicator, Green
2	AAA26800ALC1	PC Board, Car Position Indicator Direction Indicator, 30 VDC, Red
	AAA26800ALC2	PC Board, Car Position Indicator Direction Indicator, 30 VDC, Green
	AAA8200BV5	PC Board, Car Position Indicator Direction Indicator, 115 VAC, Red
3	AAA8200BV4	PC Board, Car Position Indicator Direction Indicator, 115 VAC, Red

Continued on Next Page

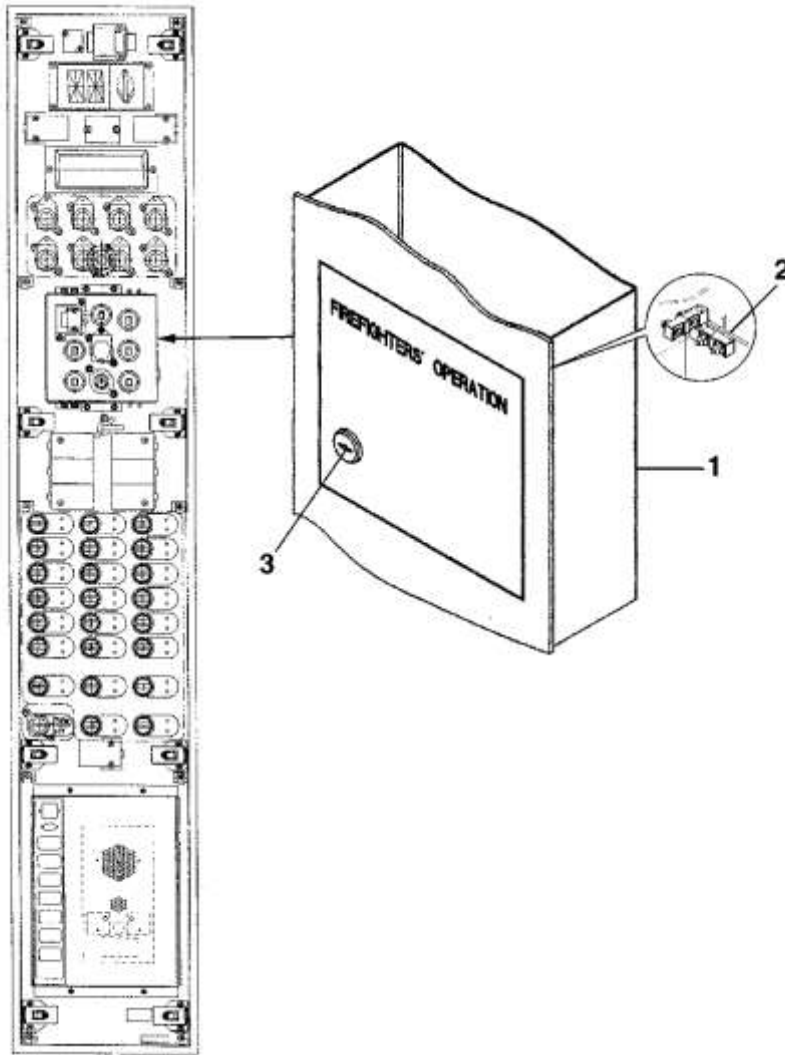
Position Indicator Direction Indicator: Tone Device and Buzzer



AAA25000DQ		
REF. No.	PART No.	DESCRIPTION
1	ABA316FMF1	Bracket (for Ref. 4, A6219G)
2	6219D2	Buzzer, 115 VAC
	6219F2	Buzzer, 30 VDC
3	A6219G4	Device, Landing-Passing Tone, 115 VAC (used for COP w/o CPI)
	A6219G1	Device, Landing-Passing Tone, 30 VDC (used for COP w/CPI)
---	AAA8200BV14	PC Board, Landing-Passing Tone for 115 VAC CPI (not shown)
4	462GV5	Spacer (for 115 VAC buzzer)

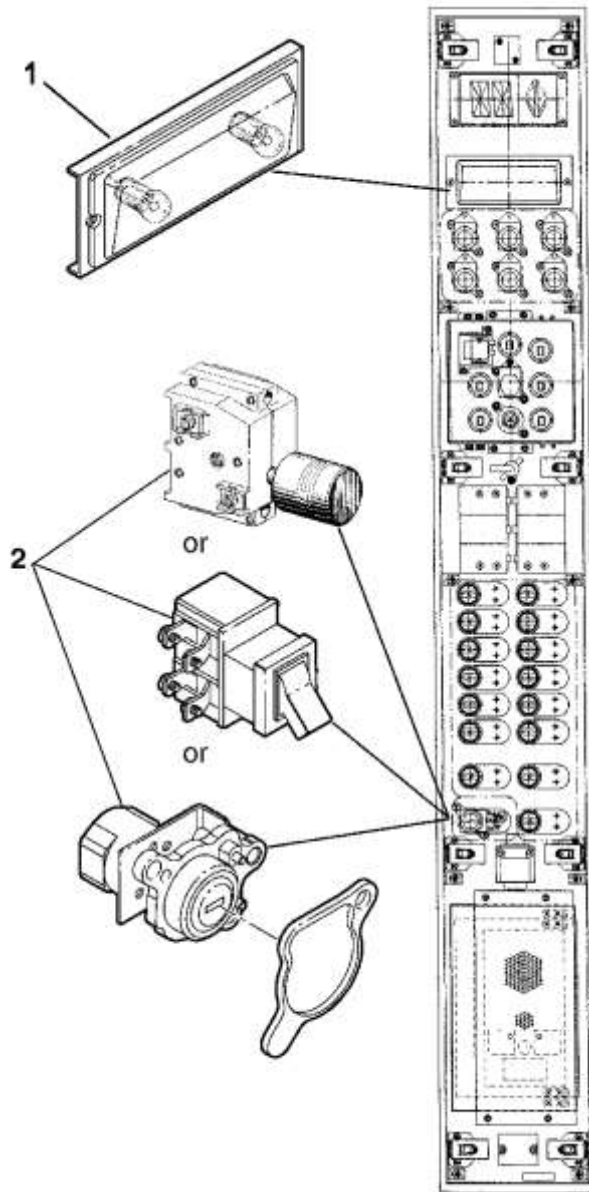
Fire Service Cabinet


31-AAA2500DQ

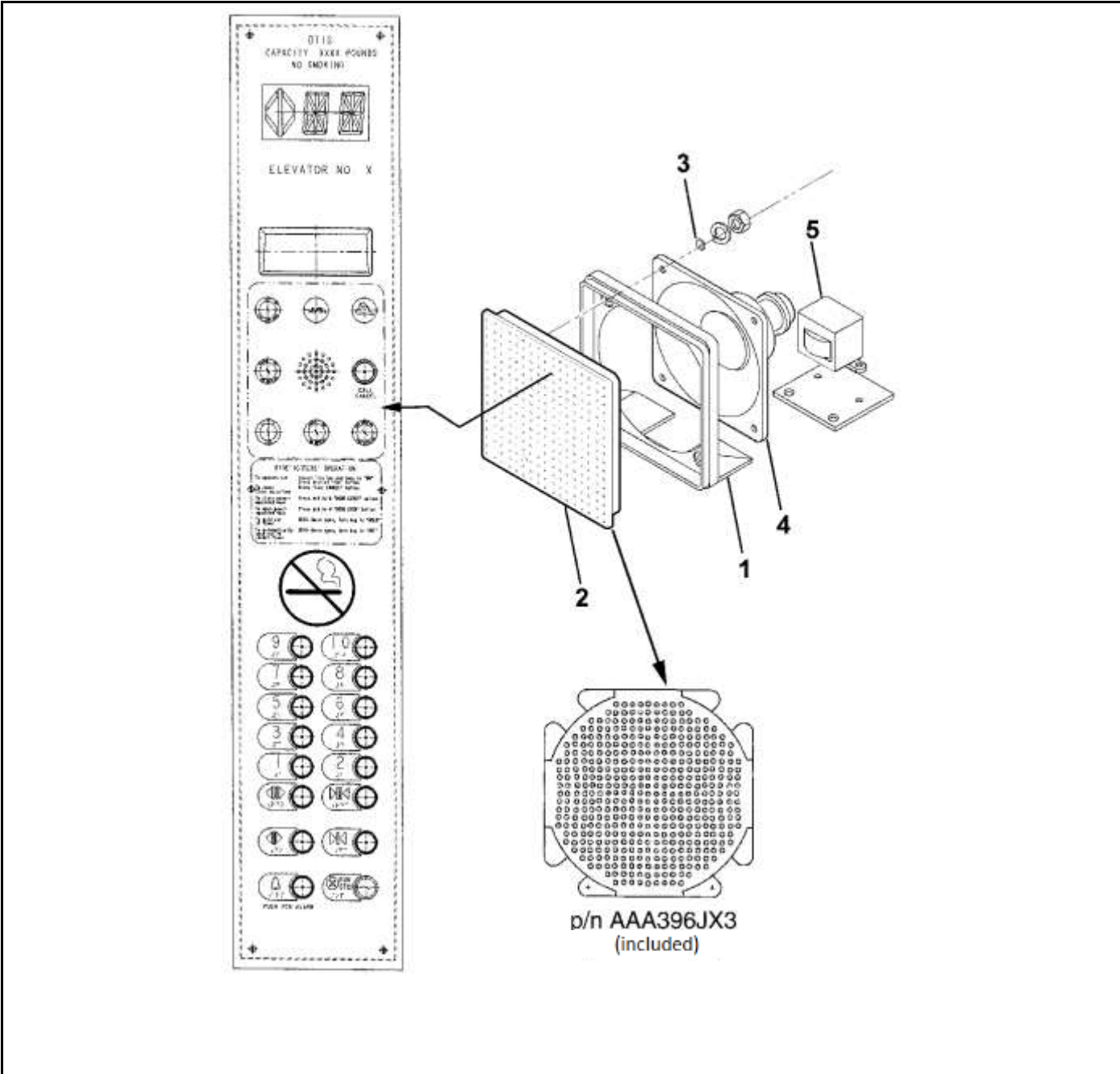


AAA2500DQ					
REF. No.	PART No.	DESCRIPTION	LOCK	HAND	FINISH
1	AAA7144CL1-___	Cabinet, Fire Service, 31-AAA7144CL	Northeast		SS4 = Brushed Stainless Steel SS8 = Mirror Stainless Steel BR7 = Brushed Bronze BR8 = Mirror Bronze See NOTE
	AAA7144CL2-___				
	AAA7144CL3-___		Yale Lock		
	AAA7144CL4-___				
2	310LW1	Block, Hinge			
	310LW2	Block, Hinge, used with 81BD4 Pin			
3	AAA431AQ1	Lock, Fire Panel (used on AAA7144CL1 and 2)			Keyed for UTF Key
	AAA431AQ2				Keyed for WD01 Key
	AAA431AQ3				Keyed for SC1000 Key
	AAA431AQ4	Lock, Fire Panel, Yale 3502 (used on AAA7144CL3 and 4)			For Hinge
	AAA431AQ5				For Hinge

NOTE: When placing an order, add material finish to the part number, for example: AAA7144CL1-SS4

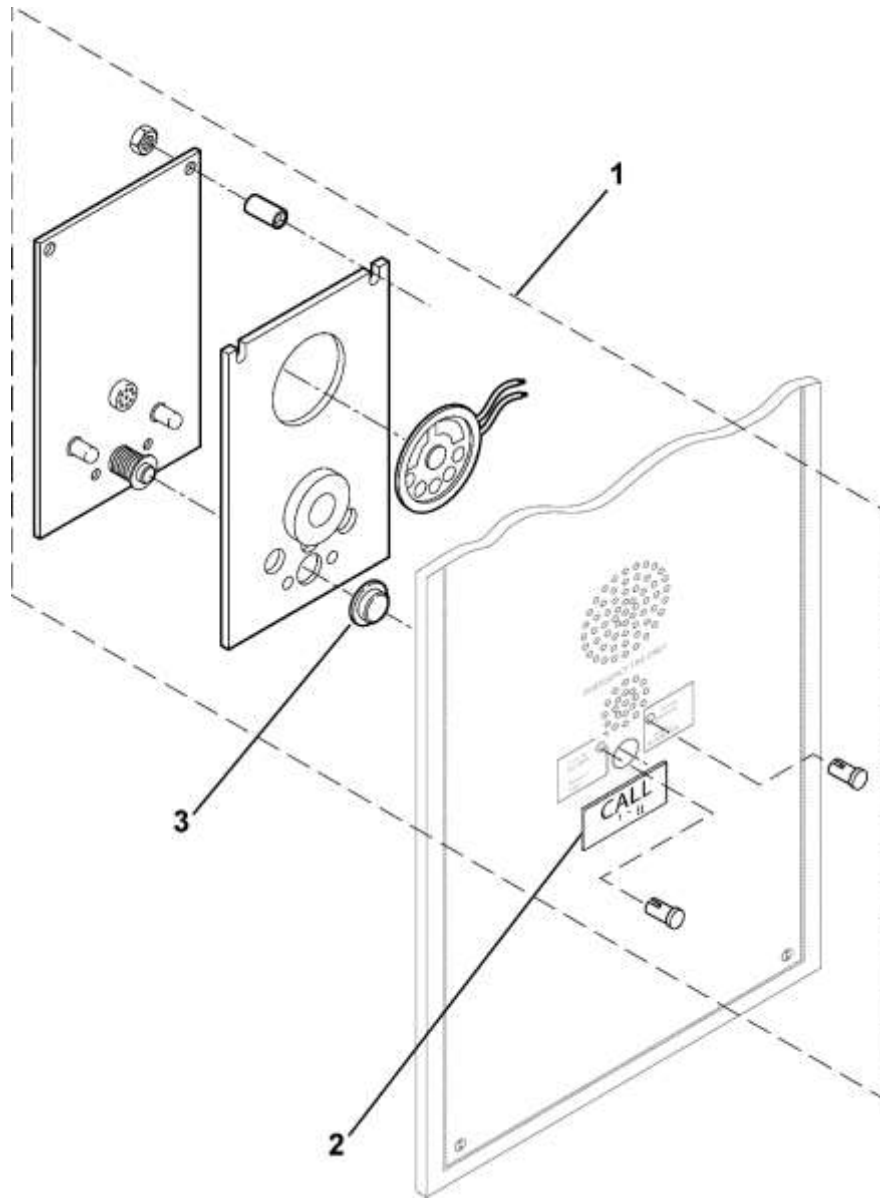


AAA25000DQ		
REF. No.	PART No.	DESCRIPTION
1	AAA24719C1	Fixture, Emergency Light, 6 VDC
	AAA24719C2	Fixture, Emergency Light, 12 VDC
2	---	Keyswitch, Emergency Stop,  SPL 31-AAA23500F
	6073F4	Switch, Push/Pull, Emergency Stop, Brushed Stainless Steel
	6073F5	Switch, Push/Pull, Emergency Stop, Brushed Bronze
	6073F1	Switch, Toggle, Emergency Stop



AAA25000DQ

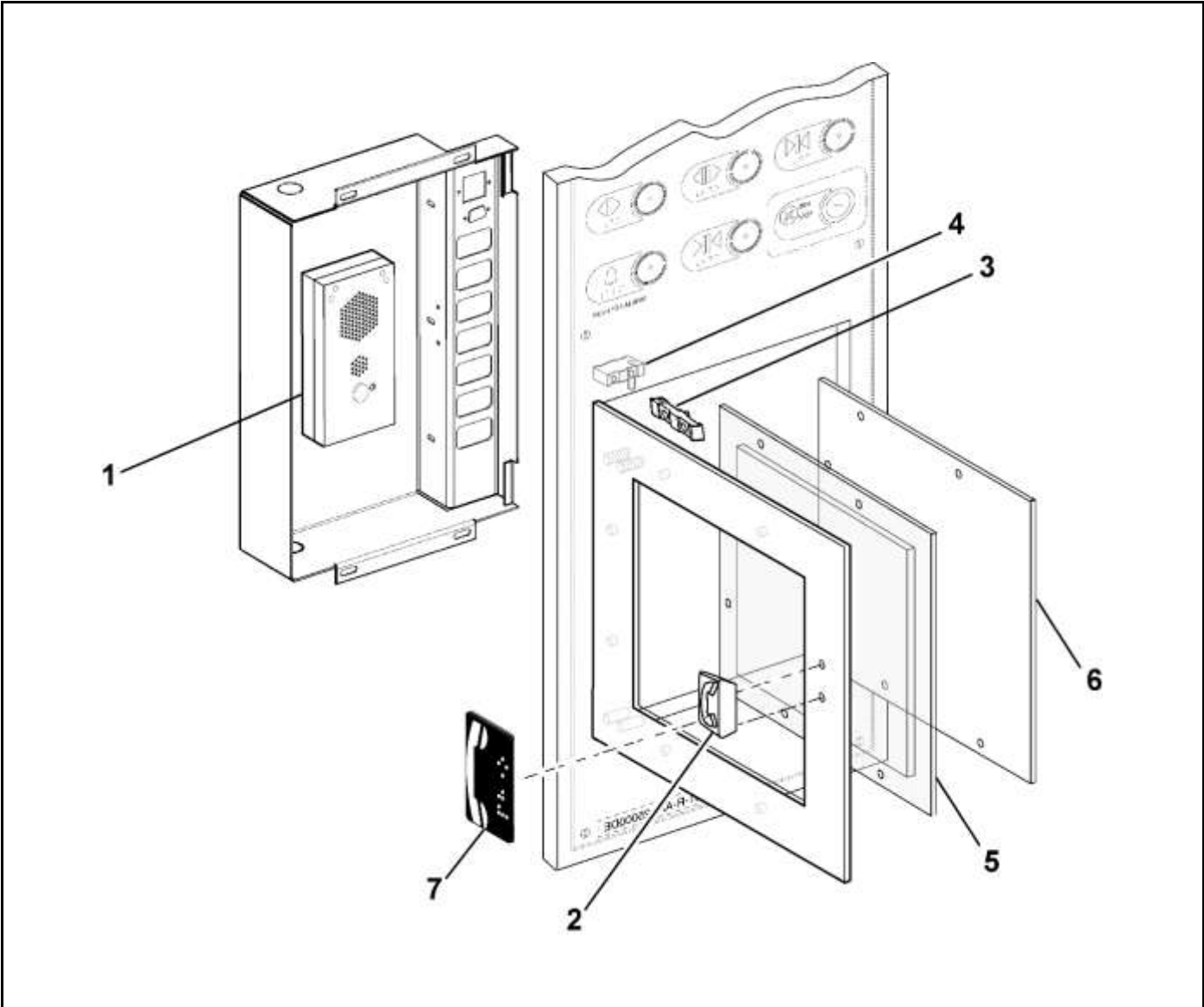
REF. No.	PART No.	DESCRIPTION
1	396NB1	Housing, Speaker
2	AAA396JX1	Assembly, Cover, Speaker
3	182H5	O-Ring
4	A433NB2	Speaker
5	609D1	Transformer



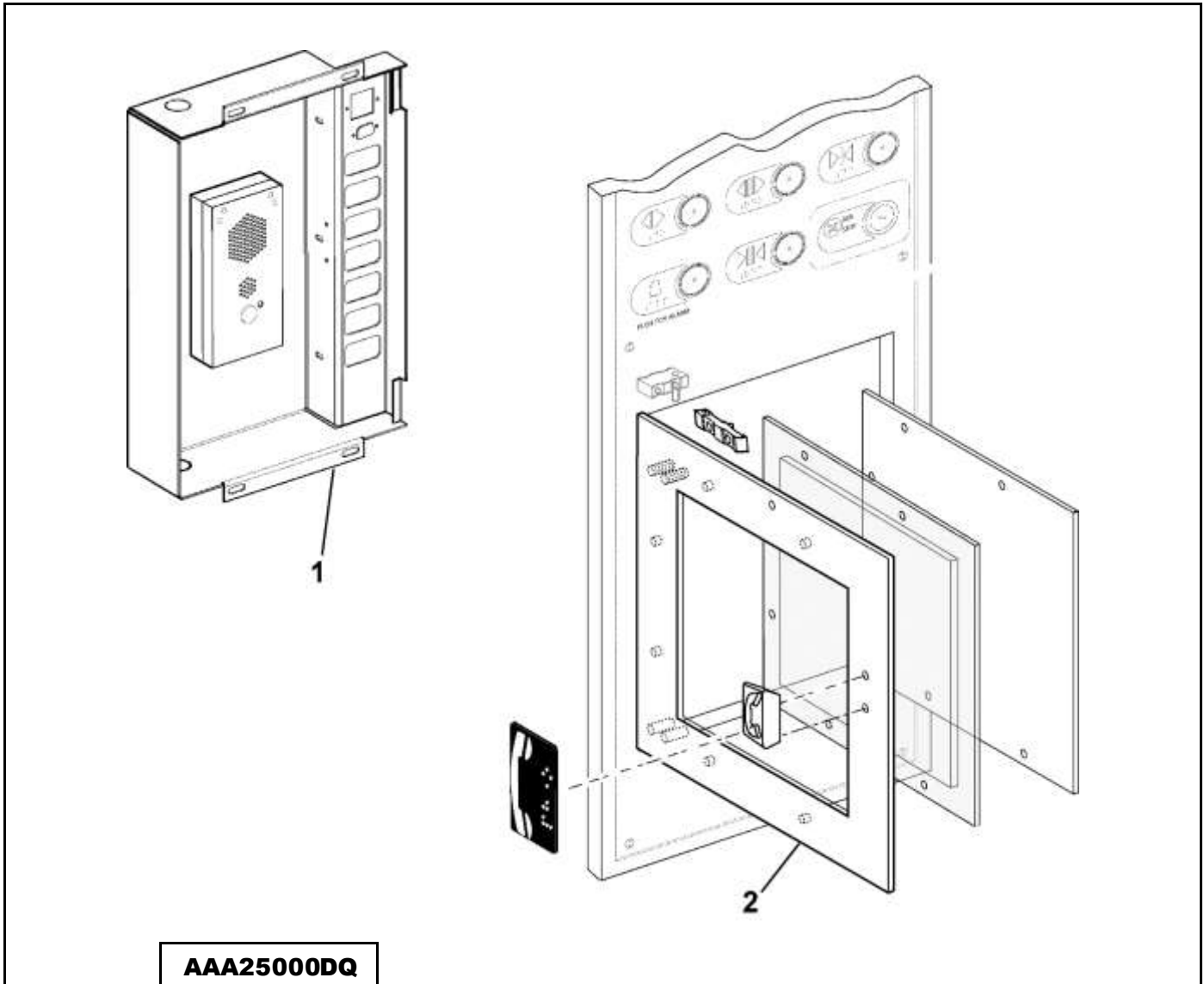
AAA25000DQ		
REF. No.	PART No.	DESCRIPTION
1	CAA7145E2	Assembly, Phone, Otis Handsoff, w/o Case
2	AAA250L1	Tag, Braille "Call"
	AAA250L3	Tag, Braille "Help," ANSI 2000 Code
3	AAA323DR5-BR7	Target, Hands-Free Phone, Brushed Bronze
	AAA323DR1-SS4	Target, Hands-Free Phone, Brushed Stainless Steel
	AAA323DR6-BR8	Target, Hands-Free Phone, Mirror Bronze
	AAA323DR2-SS8	Target, Hands-Free Phone, Mirror Stainless Steel

Service Cabinet w/Telephone

31-AAA25000DQ



AAA25000DQ		
REF. No.	PART No.	DESCRIPTION
1	CAA7145E1	Assembly, Phone, Otis Hands-Free, w/Case (for telephone cabinet)
2	388BM4-BR7	Handle, Telephone, Brushed Bronze
	388BM4-SS4	Handle, Telephone, Brushed Stainless Steel
3	310LW1	Hinge, Female
4	310LW2	Hinge, Male
5	AAA443EA1	Lens (for door w/certificate frame + 3-row COP)
6	AAA386LAX1	Plate, Door (for door with certificate holder)
7	AAA428H2	Tag, Braille, Phone Figure



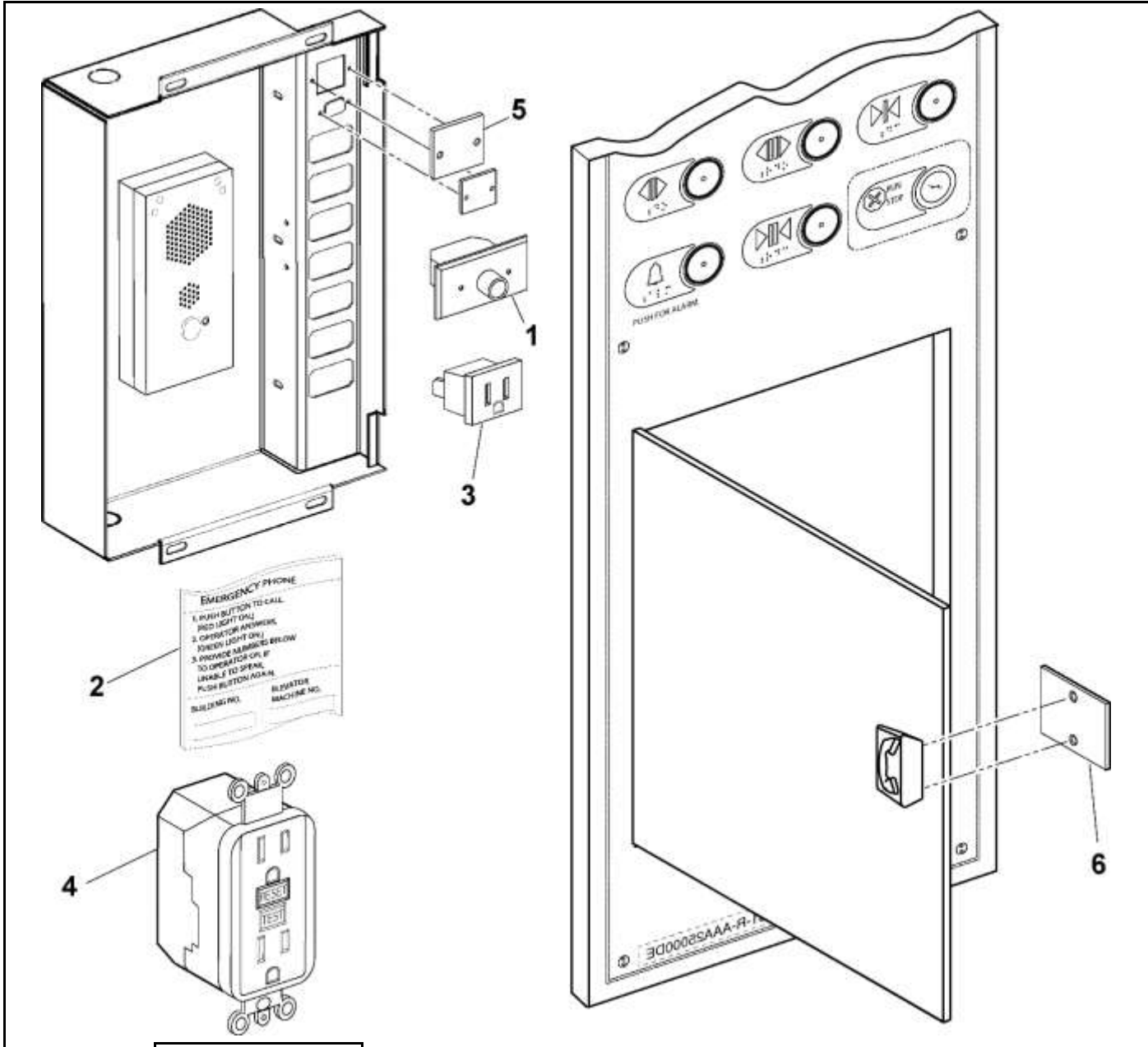
		AAA25000DQ	
REF. No.	PART No.	DESCRIPTION	
1	ACA308TV1	Box, Service Cabinet, (2-row COP)	
	AAA308TU1	Box, Phone Cabinet, (2-row COP)	
	ABA308PG4	Box, Phone/Service Cabinet, (3-row COP, shown)	
2	AAA406BT3-___	Door, Telephone (2-row COP)	Indicate Finish (see NOTE): SS4 = Brushed Stainless Steel SS8 = Mirror Stainless Steel BR7 = Brushed Bronze BR8 = Mirror Bronze
	AAA406BT4-___	Door, Service Cabinet (2-row COP)	
	AAA406BT5-___	Door, Telephone/Service Cabinet, w/o Certificate Frame (3-row COP)	
	AAA406BT6-___	Door, Telephone/Service Cabinet, w/Certificate Frame (3-row COP)	

NOTE: When placing an order, add material finish to the part number, for example: AAA406BT3-SS4

Continued on Next Page

Service Cabinet w/ Telephone

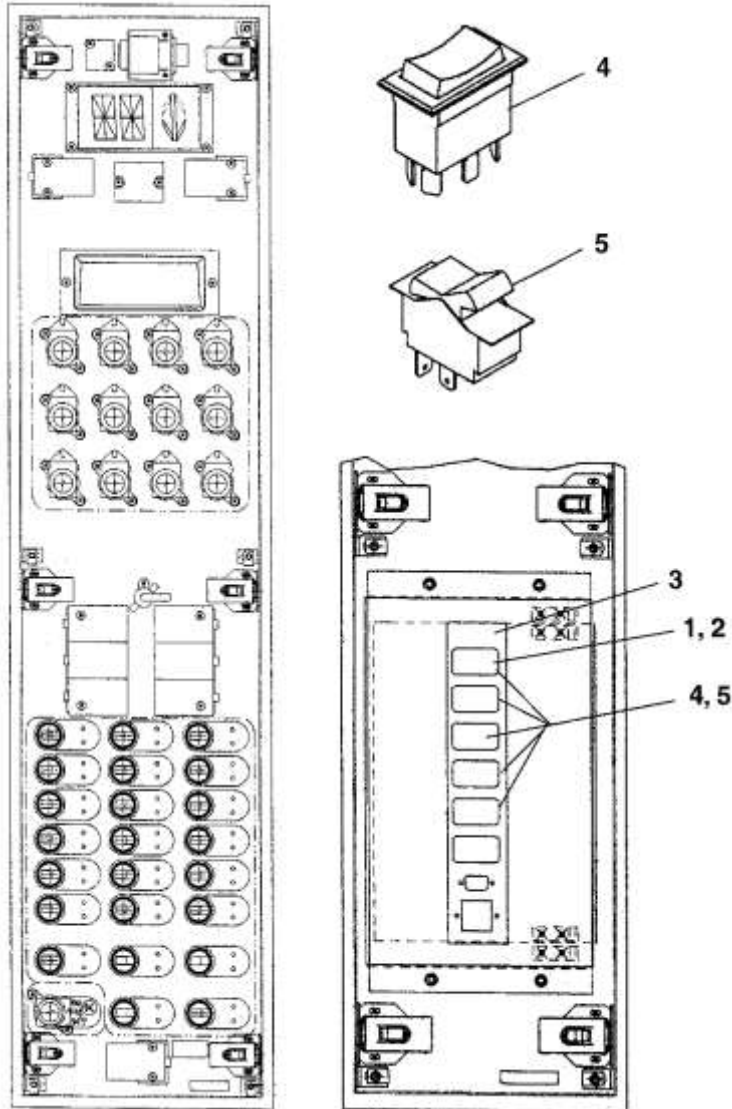
31-AAA25000DQ



AAA25000DQ

REF. No.	PART No.	DESCRIPTION
1	AAA661F1	Dimmer, Push On/Off
2	102MP3	Label, Emergency Phone (for telephone cabinet)
3	6599R6	Outlet, 115 VAC
4	641A3	Outlet, GFI
5	AAA386KUF1	Plate, Dummy, 115 VAC Outlet
6	386BDK2	Plate, Strike (for door w/certificate frame)
	AAA386KUF3	Plate, Strike (for door w/o certificate frame)

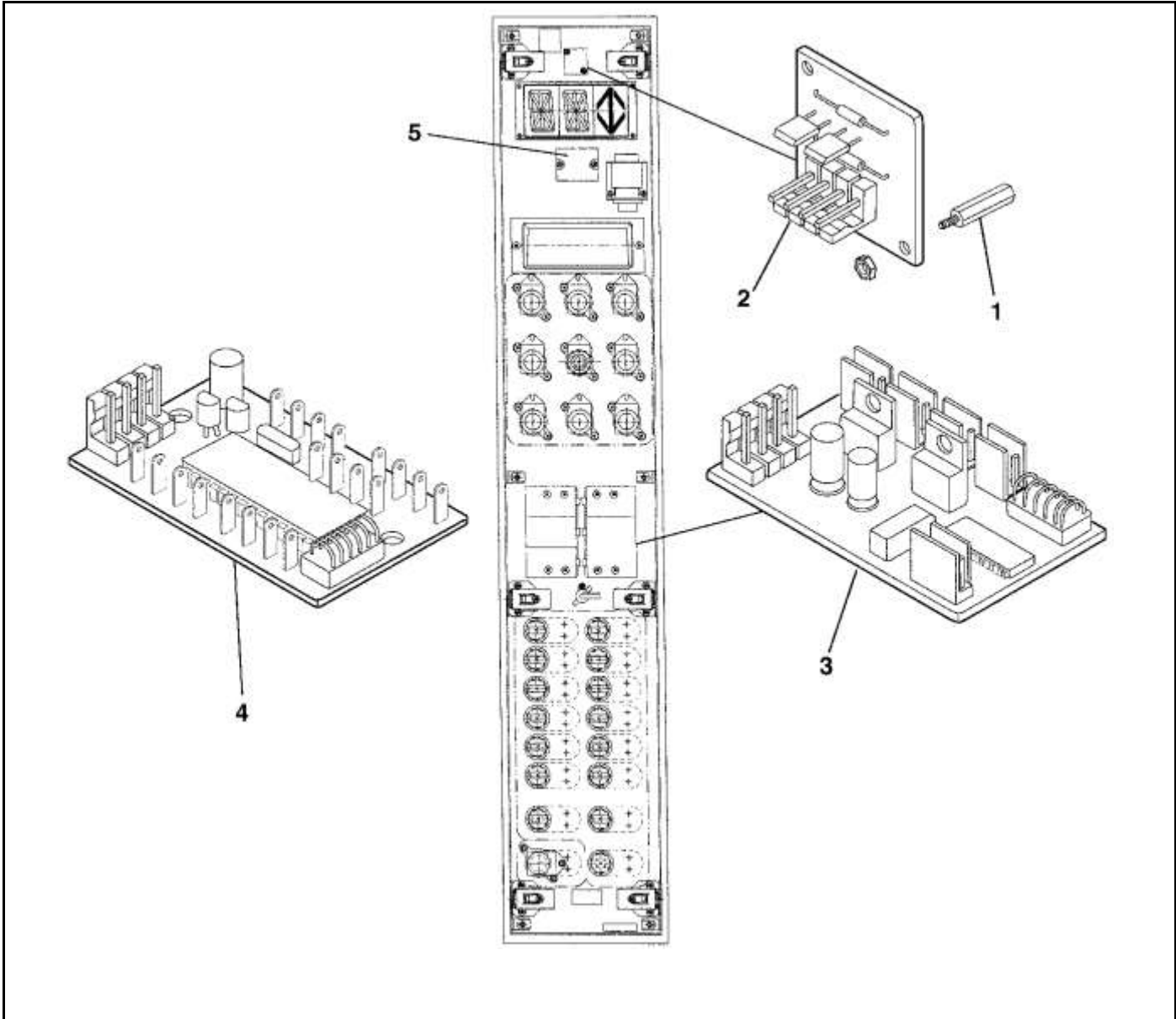
**Service Cabinet: Switches, LED,
and Cable**



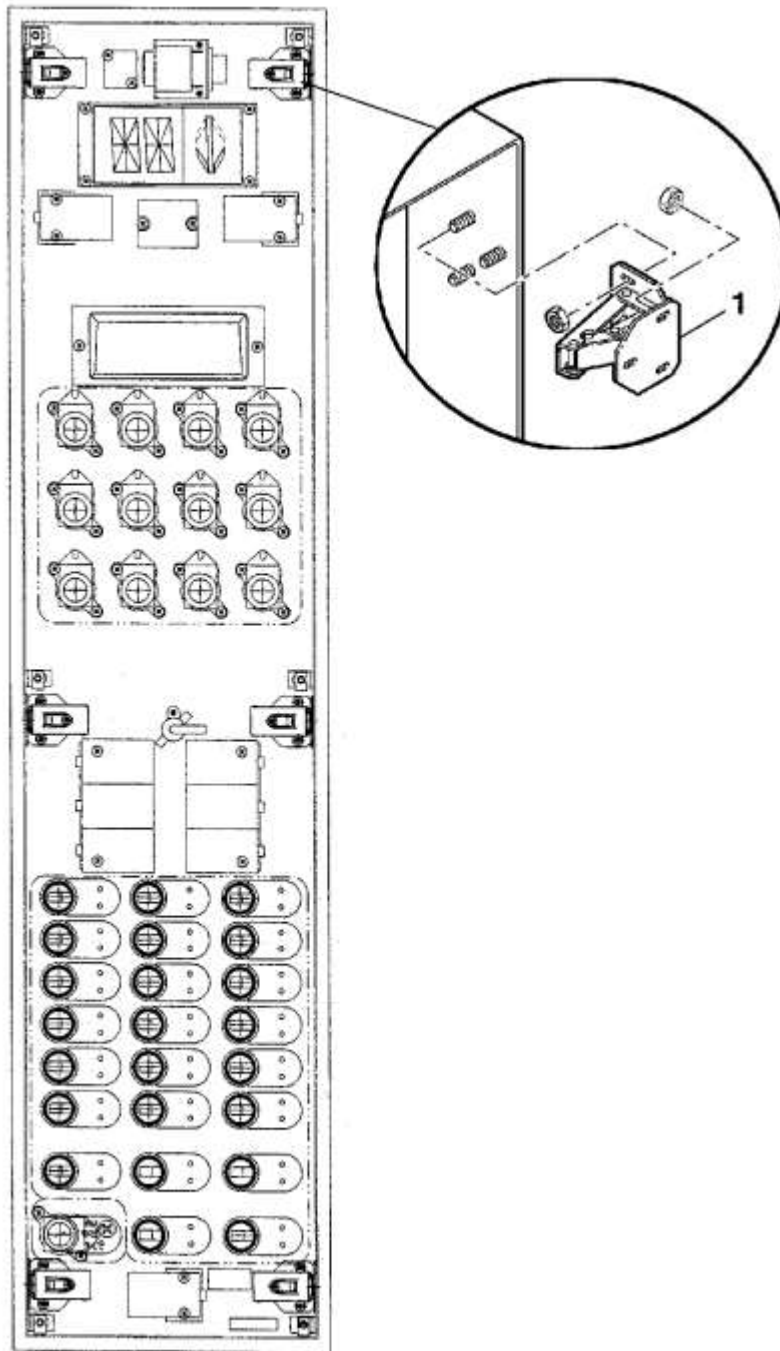
AAA25000DQ		
REF. No.	PART No.	DESCRIPTION
1	AAA174YL10	Assembly, Cable, LED
2	AAA629AF1	Assembly, LED, 30 VDC
3	AAA386LRK1	Plate, Cabinet Toggle Switch
4	AAA177EN1	Switch, Toggle, Center Off
	AAA177EN2	Switch, Toggle, DPST
	AAA177EN3	Switch, Toggle, DPDT
5	AAA177EN5	Switch, Toggle, DPDT, Emergency Light Test



PC Boards

31-AAA25000DQ



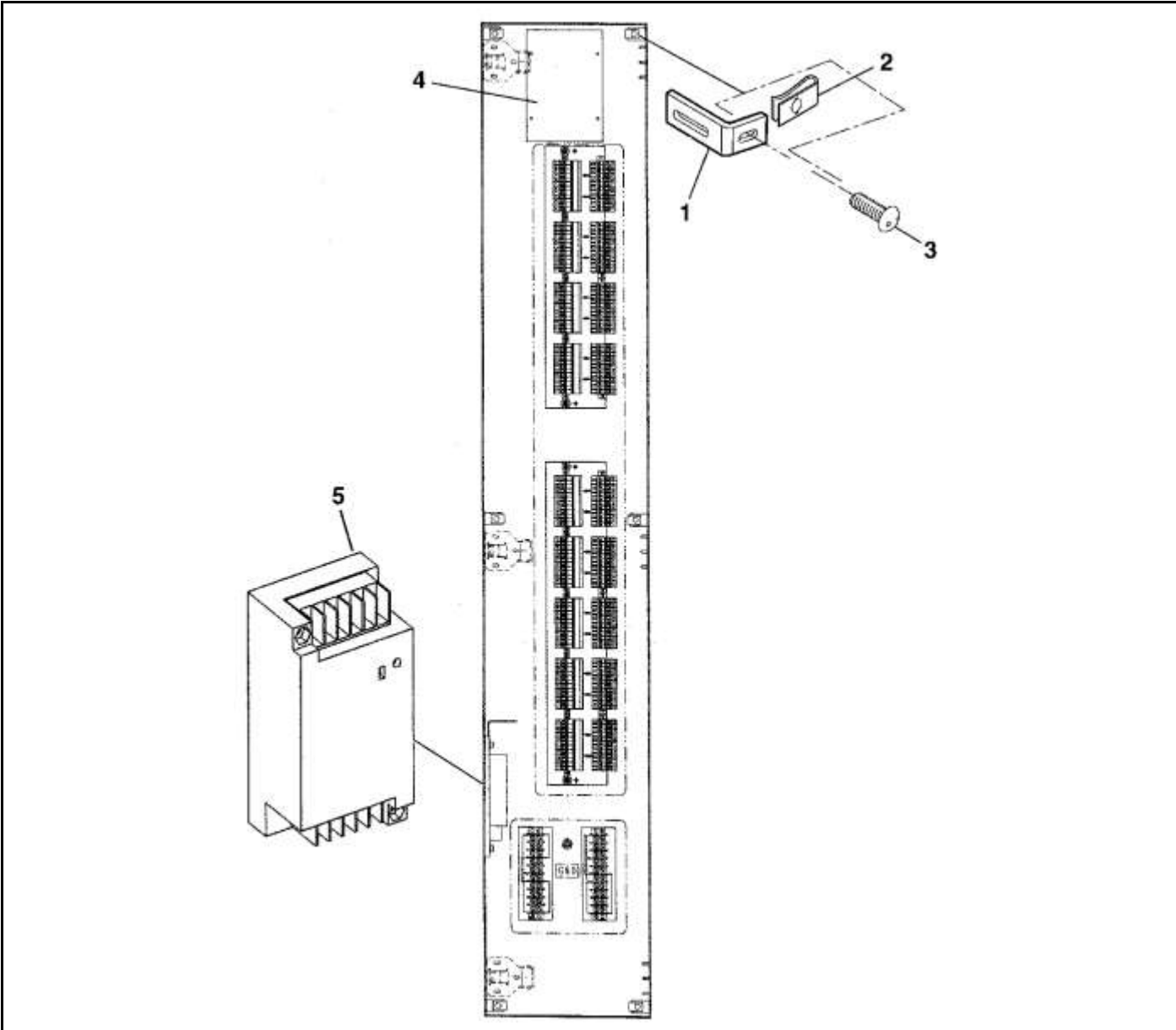
AAA25000DQ		
REF. No.	PART No.	DESCRIPTION
1	354AG107	Piece, Distance
2	9693J2	PC Board, Line Terminator (for discrete wiring w/30 V CPI)
	9693J1	PC Board, Line Terminator (for serial communication)
3	GDA25005B10	PC Board, Remote-Station 14 (K5RS–K10RS)
4	GFA23550D10	PC Board, Remote-Station 5 (K1RS, K16RS, K17RS)
5	AAA00613AAA001	Relay, Solid State, for Light and Fan



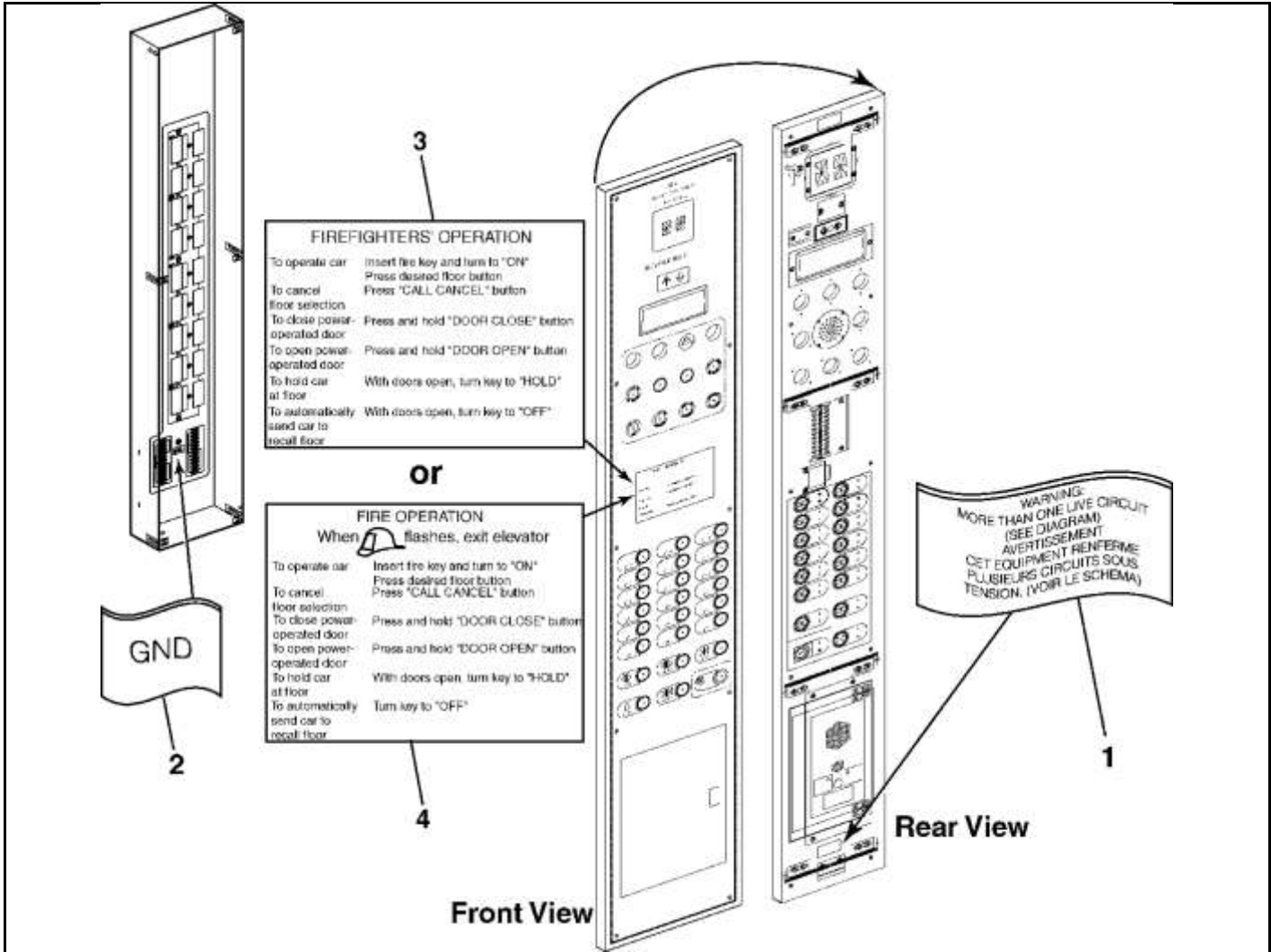
AAA25000DQ		
REF. No.	PART No.	DESCRIPTION
1	AAA391CW1	Hinge, Selby,  and 

Connector Mounting Plate Parts

31-AAA25000DQ



AAA25000DQ		
REF. No.	PART No.	DESCRIPTION
1	AAA283ALL5	Clip, Faceplate Mounting
2	72BX18	Nut, Speed
3	124DK1	Screw, Tamper-Resistant, Stainless-Steel Brushed Finish
	124DK2	Screw, Tamper-Resistant, Brushed Bronze Finish
	124DK13	Screw, Tamper-Resistant, Stainless-Steel Mirror Finish
	124DK14	Screw, Tamper-Resistant, Mirror Bronze Finish
4	ACA26800ACW1	Speechboard
5	AAA621AX6	Supply, Power, 5 V Output



AAA2500DQ		
REF. NO.	PART or ML	DESCRIPTION
1	102LV2	Label, Caution
2	102NE1	Label, Ground
3	AAA102VB36	Label, Firefighter's Instruction Plate, ANSI 1998, Mirror Stainless-Steel Finish
	AAA102VB37	Label, Firefighter's Instruction Plate, ANSI 1996, Brushed Stainless-Steel Finish
	AAA102VB38	Label, Firefighter's Instruction Plate, ANSI 1996, Mirror Stainless-Steel Finish
	AAA102VB39	Label, Firefighter's Instruction Plate, ANSI 1996, Brushed Bronze Finish
	AAA102VB40	Label, Firefighter's Instruction Plate, ANSI 1996, Mirror Bronze Finish
*	AAA102VB57	Label, Firefighter's Instruction Plate, ANSI 1998, Brushed Bronze Finish
	AAA102VB58	Label, Firefighter's Instruction Plate, ANSI 1998, Brushed Bronze Finish
4	AAA102VB74	Label, Firefighter's Instruction Plate, ANSI 2000, Mill 4 Stainless-Steel Finish
	AAA102VB75	Label, Firefighter's Instruction Plate, ANSI 2000, Brushed Stainless-Steel Finish
	AAA102VB76	Label, Firefighter's Instruction Plate, ANSI 2000, Mirror Stainless-Steel Finish
	AAA102VB77	Label, Firefighter's Instruction Plate, ANSI 2000, Brushed Bronze Finish
	AAA102VB78	Label, Firefighter's Instruction Plate, ANSI 2000, Mirror Bronze Finish
*	AAA102VB94	Label, Firefighter's Instruction Plate, ANSI 2004, Clear Velvet Matte Polycarbonate

* Label not shown.