

# Car Operating Panel Series II Fixtures

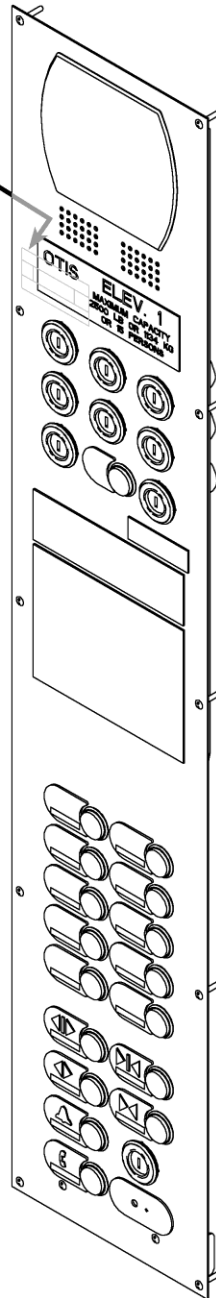
## Spare Parts Leaflet

### 31-AAA2500DR

October 12, 2022 / Page 1 of 17

CONTRACT	
31	H - AAA2500DR
REV DATE	

CONTRACT	
31	H - ABA2500DR
REV DATE	



# OTIS

This document does not contain any technical data subject to EAR or ITAR

**SERVICE ENGINEERING**  
**Otis Elevator Company**  
**Bloomfield, Connecticut USA**

Unpublished Work—© Otis Elevator Co.; 2022

**Leaflet Description**

This leaflet provides spare parts information for the Series II fixtures car operating panel, type AAA2500DR.

**Leaflet Revisions**

<b>Date Revised</b>	<b>Subject Matter Expert</b>	<b>Reason for Revision</b>
May 23, 2005	Joseph Zych	New SPL
November 11, 2005	Joseph Zych	Revise pp. 3,5, 9, and 12. Delete pp. 13-16. New pp. 13, 14.
February 27, 2006	Joseph Zych	Revise pp. 4 (add type AAA23500CC pushbutton) and 7.
March 7, 2007	Joseph Zych	Added wiring harness information on p.6.
October 30, 2007	Joseph Zych	Corrected picture on p. 14.
March 5, 2008	Joseph Zych	Corrected part number in ref. 5 on p. 8
October 7, 2008	Joseph Zych	Added part numbers ABA25400AK1 through 5 on p. 16
March 26, 2009	Joseph Zych	Replaced Micro-Motion III Luxury Buttons types AAA23500AK, AAA23500BY, and AAA23500CC with new type AAA23500CH on p. 5; Added fire cabinet doors on p. 11
July 8, 2009	Joseph Zych	Updated illustration on p. 11; Removed Type AAA406CE doors on pp. 10–11; Referenced SPL 31-AAA406CE on p. 10; Added ref. 6 on p. 8 and ref. 2 on p. 16
January 14, 2015	Joseph Zych	Corrected Ref. 6 on p. 4
October 12, 2022	Paul Anthony	Added p/n AAA27076JN2 and a NOTE on p. 16

**Related Drawings**

<b>Drawing No.</b>	<b>Title</b>	<b>Drawing No.</b>	<b>Title</b>
AAA2500DR	Car Operating Panel, Series II	ABA2500DR	Car Operating Panel, Series II

**Related Documents**

<b>Document ID</b>	<b>Title</b>
SPL 31-AAA25300T	COP Telephone Kit Assembly
SPL 31-AAA7144CK	Firefighter's Cabinet Assembly
SPL 31-AAA340CV	Fixture – Part, Collar, Keyswitch and Jewel
SPL 32-AAA23851A	Fixture – Part, Keyswitch (Series 5 Fixture)
SPL 31-AAA23851B	Fixture: Jewel Assembly
SPL 31-AAA250Q	Graphic Insert: AAA250Q, AAA250R, and AAA250S
SPL 31-AAA406CE	Door, Firefighter's Cabinet
SPL 31-AAA23500F	Keyswitch Assemblies Light Ring & Engraved Collar Version
SPL 32-AAA23500CH	Pushbutton, Luxury Micro-Motion III
SPL 34-AAA23550U	Landing Fixture–In-Car Lantern Assembly
SPL 31-AAA174ABH	Wiring Harness—Series 2, 4, 5, & 6 COPs (Traction Systems)
SPL 31-AAA174AGZ	Wiring Harness Discrete COP (for Series 2 and 5 COPs)
SPL 31-AAA174AJB	Wiring Harness Series 2, 4, 5, & 6 COPs (RSL Use)
SPL 31-AAA102VB	Instruction Plate
SPL 31-AAA431AQ	Lock (for fire panels)

Continued on next page.

# History

**31-AAA25000DR**

## Subject Matter Expert

Name	Department
Paul Anthony	OSC Service Engineering

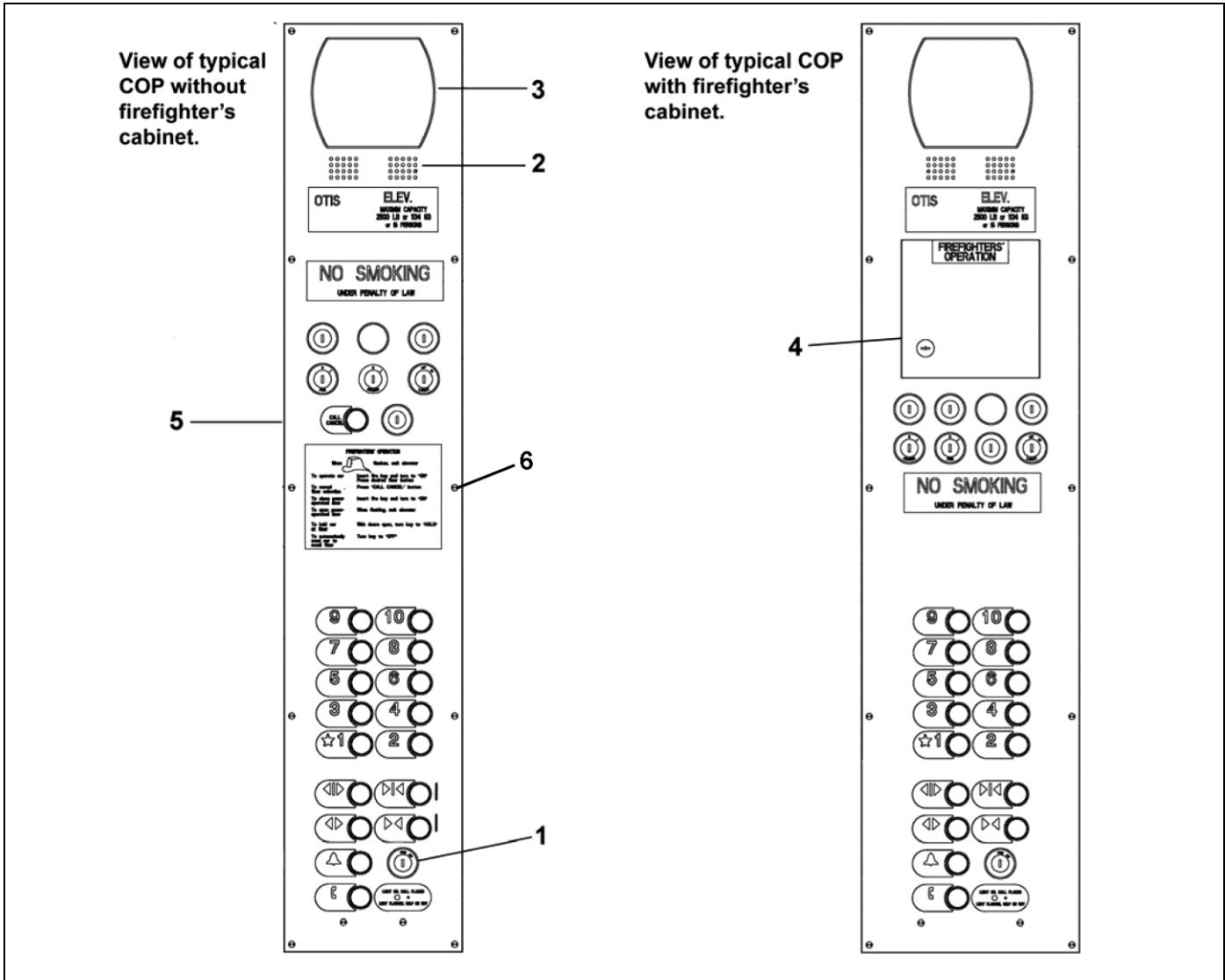
## About Spare Parts Leaflets...

This document lists the lowest replaceable units (LRUs) for the standard version of the product. The LRUs are chosen by a team of Otis associates representing engineering and manufacturing.

While goal of this document is to make parts identification as easy as possible, the document cannot be all-inclusive. Elevator and escalator contracts classified as “special” or “custom” are not addressed here. For such contracts, please refer to specified information, the contract folder, TIPS, Field Education Articles, Construction Letters, etc. for further information.

If you have any suggestions about this document, please contact the subject matter expert listed on this page.

**Table of Contents**

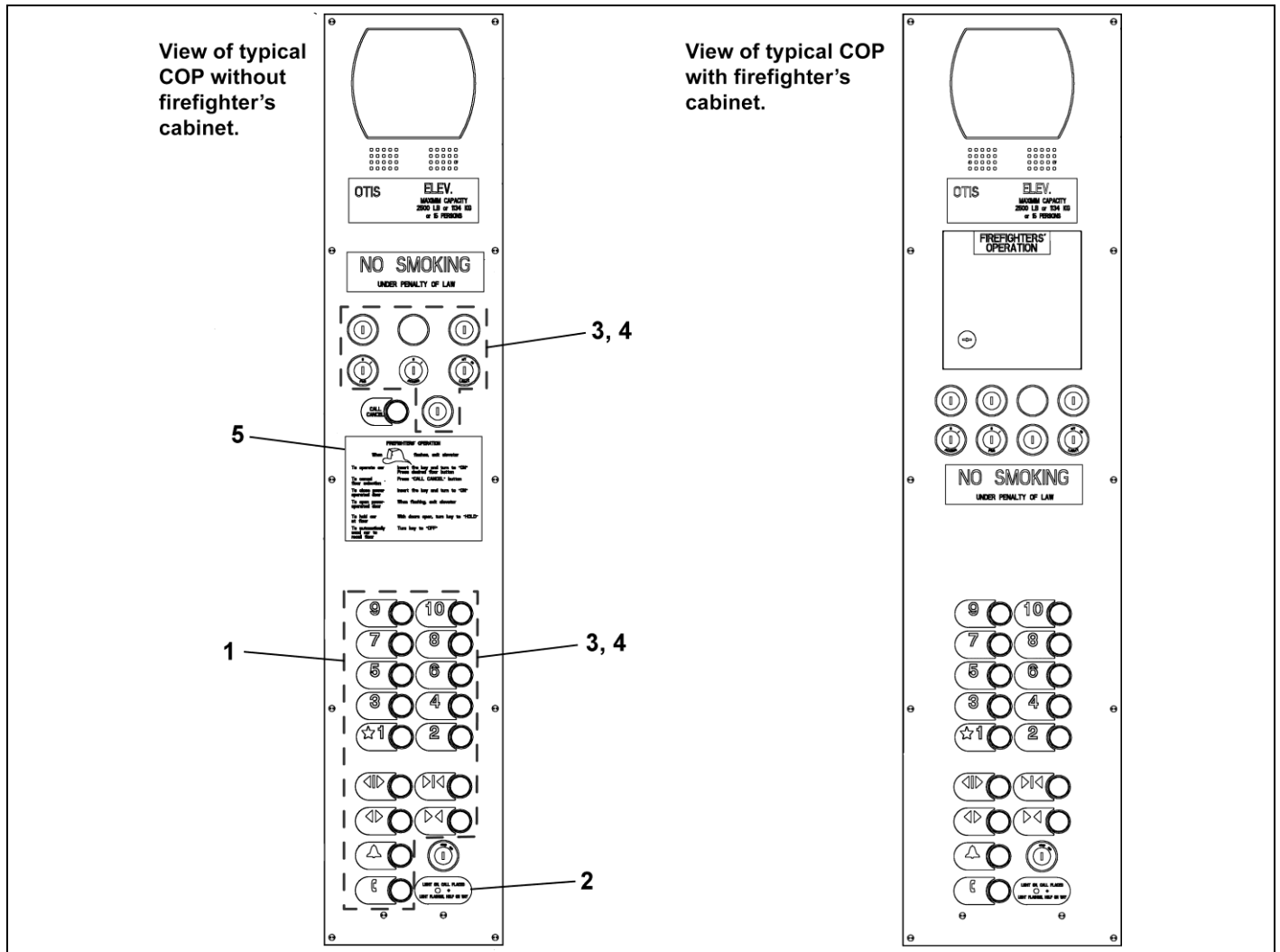


REF. No.	PAGE No.	DESCRIPTION
1	7	Emergency Fixtures
2	8	ADA Phone Assembly
3	8	Display Assembly
---	9	PC Boards
4	10–11	Firefighter's Cabinet
---	12	Lantern Assembly, In-Car
5	13–14	Faceplate
6	15	Screws, Tamper-Resistant (faceplate)
---	16	Power Supply
---	17	Terminal Panel

Continued on next page.

# Table of Contents

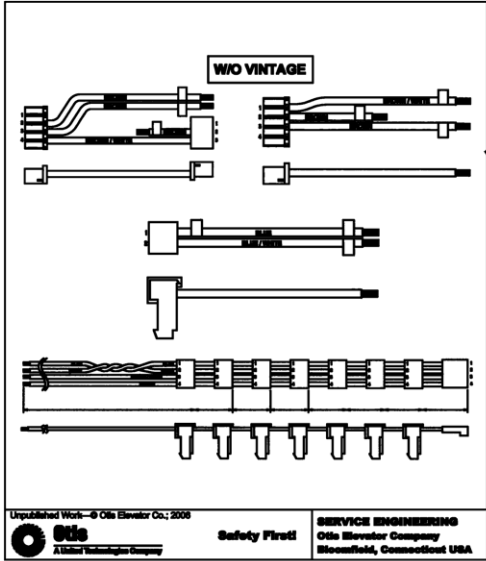
**31-AAA2500DR**



REF. No.	DESCRIPTION	SPL
---	Braille Plate, Type AAA250R (not shown)	
1	Graphic Plate, Type AAA250Q	👁️ SPL 31-AAA250Q
2	Graphic Plate, Type AAA250S	
3	Buttons, Micromotion III, Luxury, Type AAA23500AK	---
	Buttons, Micromotion III, Luxury, Type AAA23500BY	---
	Buttons, Micromotion III, Luxury, Type AAA23500GC	---
	Buttons, Micromotion III, Luxury, Type AAA23500CH	👁️ SPL 32-AAA23500CH
	Buttons, Micromotion III, Vandal Resistant, Amber LED, Type AAA23500AM	👁️ SPL 31-AAA23500AK
	Button, Micromotion III, Vandal Resistant, 40 mm L, Type AAA23500BZ	👁️ SPL 31-AAA23500AK
	Jewel Assembly, Type AAA23851B	👁️ SPL 31-AAA23851B
	Keyswitch Assembly, Type AAA23851A	👁️ SPL 32-AAA23851A
	Keyswitch Assembly, Type ABA23500W	👁️ SPL 32-AAA23500F
4	Collars, Keyswitch, Type AAA340CV	👁️ SPL 31-AAA340CV
5	Plate, Instruction, Type AAA102VB	👁️ SPL 31-AAA102VB

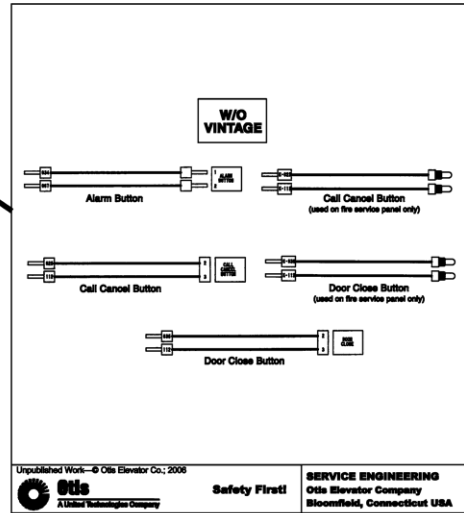
(continued on next page)

**Wiring Harness – Series 2, 4, 5, & 6 COPs (Traction Systems)**  
**Spare Parts Leaflet 31-AAA174ABH**  
 June 10, 2006 / Page 1 of 9



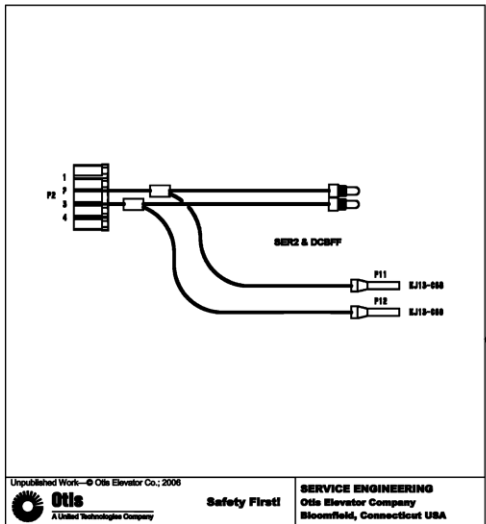
Unpublished Work—© Otis Elevator Co., 2006  
**Otis** A United Technologies Company  
**Safety First!**  
**SERVICE ENGINEERING**  
 Otis Elevator Company  
 Bloomfield, Connecticut USA

**Wiring Harness Discrete COP (for Series 2 and 5 COPs)**  
**Spare Parts Leaflet 31-AAA174AGZ**  
 May 24, 2006 / Page 1 of 9



Unpublished Work—© Otis Elevator Co., 2006  
**Otis** A United Technologies Company  
**Safety First!**  
**SERVICE ENGINEERING**  
 Otis Elevator Company  
 Bloomfield, Connecticut USA

**Wiring Harness Series 2, 4, 5, & 6 COPs (RSL Use)**  
**Spare Parts Leaflet 31-AAA174AJB**  
 July 31, 2006 / Page 1 of 12

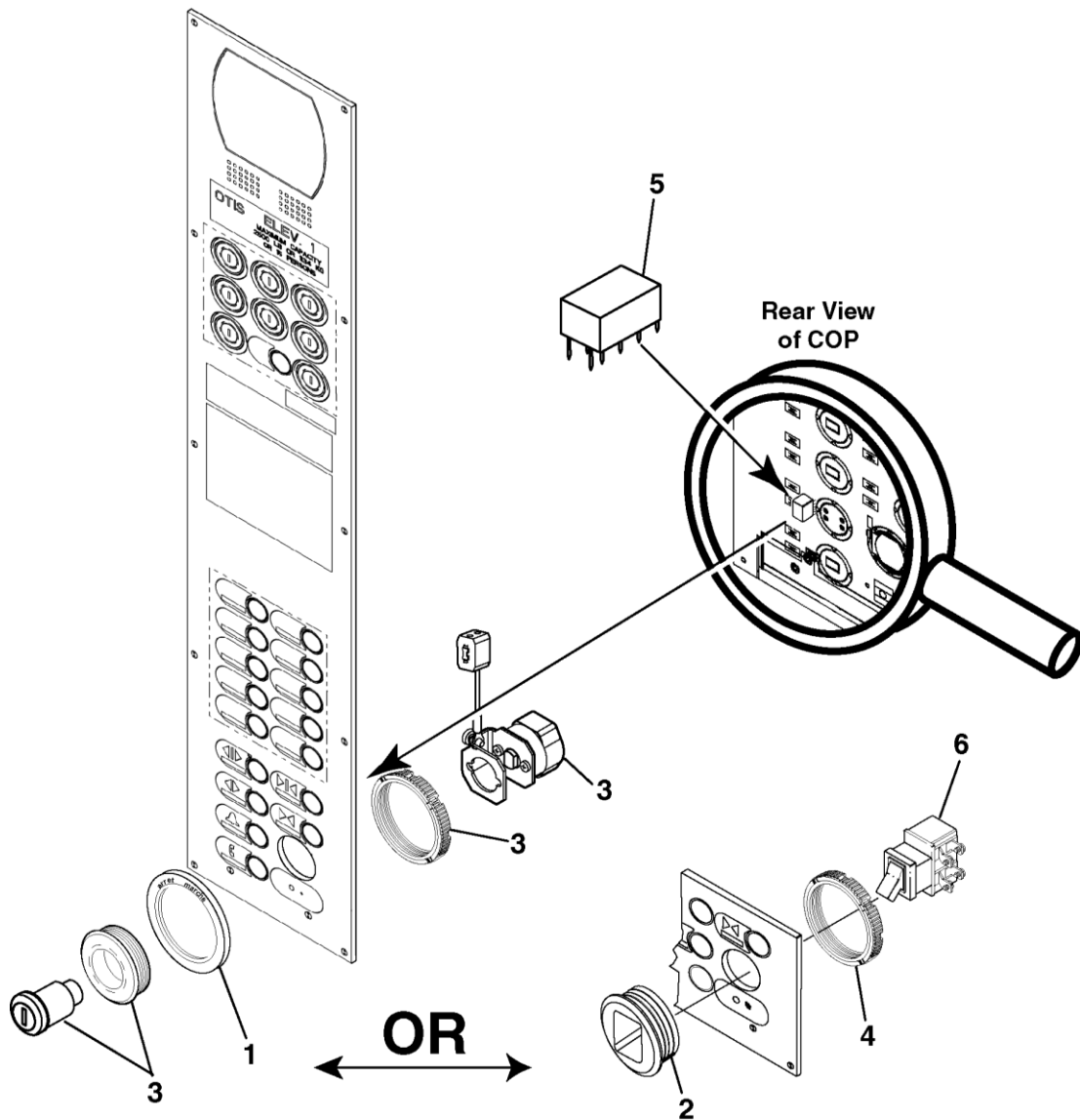




Unpublished Work—© Otis Elevator Co., 2006  
**Otis** A United Technologies Company  
**Safety First!**  
**SERVICE ENGINEERING**  
 Otis Elevator Company  
 Bloomfield, Connecticut USA

REF. No.	DESCRIPTION
1	Wiring Harness, Series 2, 4, 5, & 6 COPs (Traction Systems),  SPL 31-AAA174ABH
2	Wiring Harness, Discrete COP (for Series 2 and 5 COPs),  SPL 31-AAA174AGZ
3	Wiring Harness, Series 2, 4, 5, & 6 COPs (RSL Use),  SPL 31-AAA174AJB

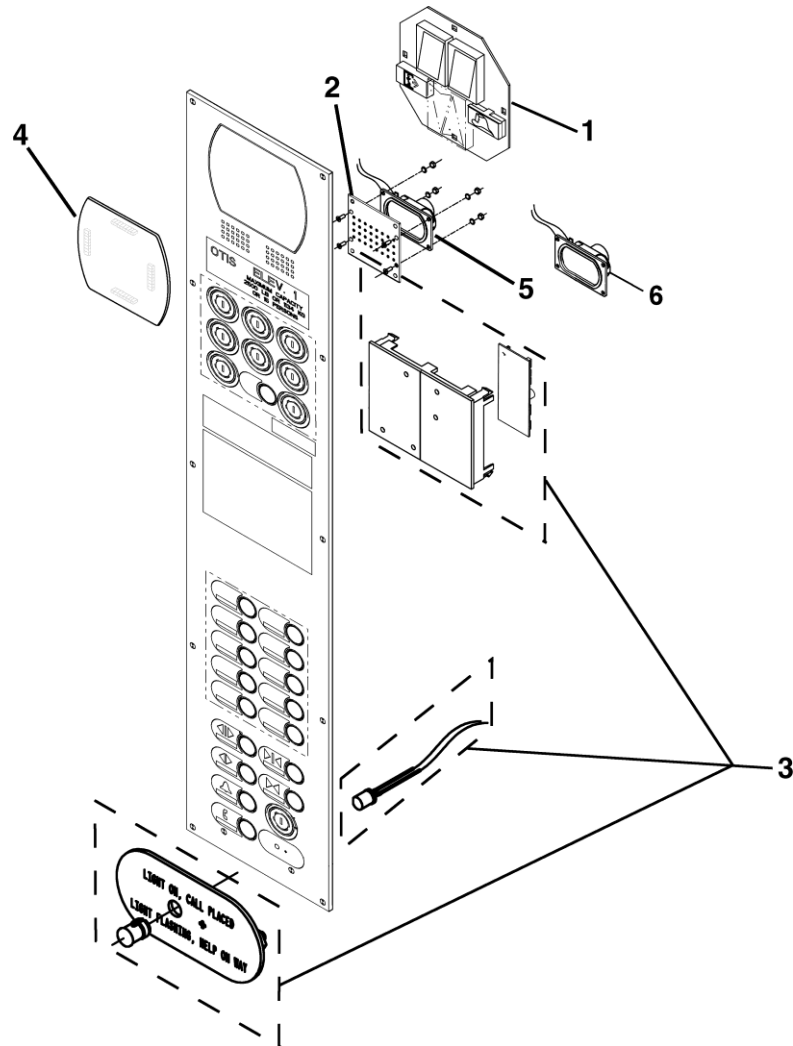
# Emergency Stop Devices



31-AAA2500DR



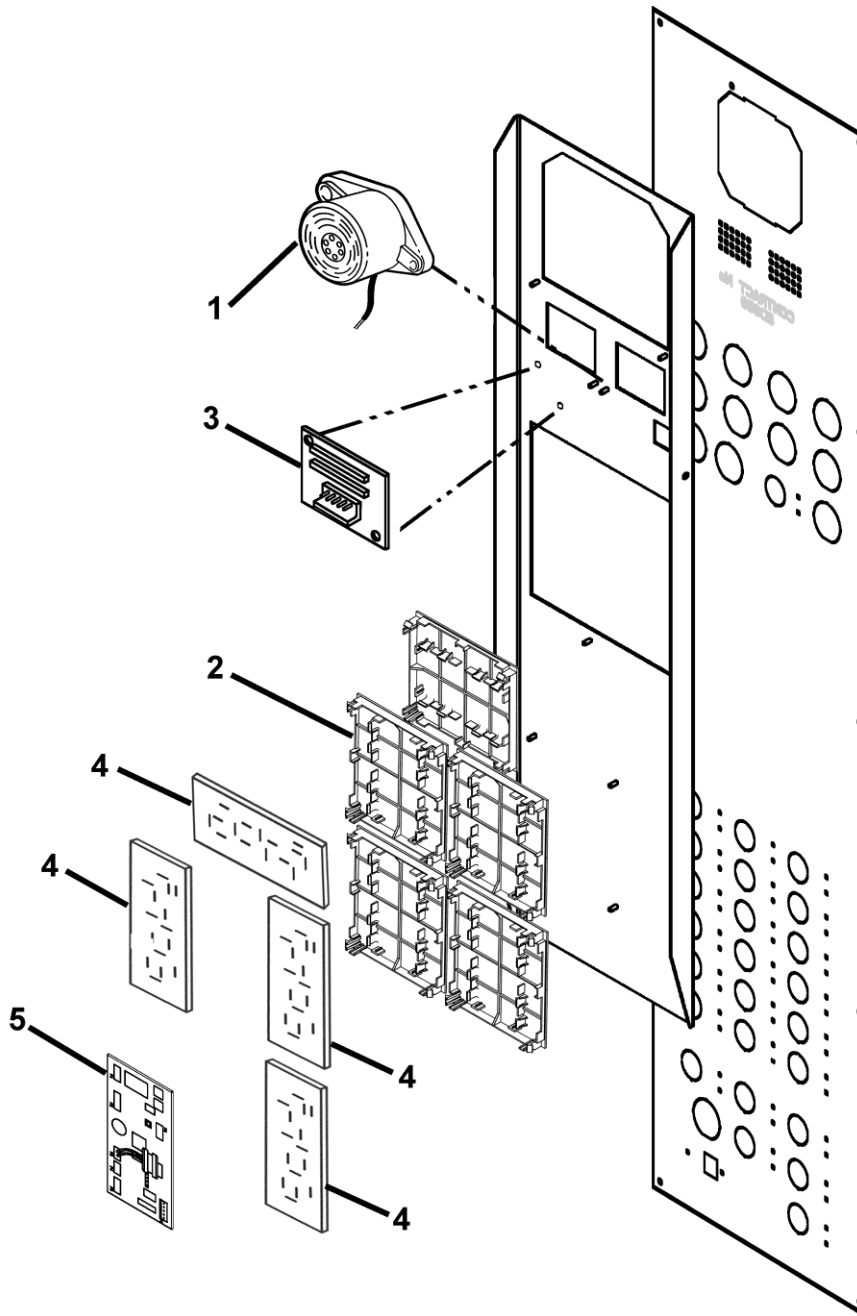
ALL VINTAGES			
REF. No.	PART No.	DESCRIPTION	
1	AAA340CV28	Collar (for Run/Stop keyswitch)	 SPL 31-AAA340CV
2	MAA396W1	Housing (for Run/Stop toggle switch)	
3	AAA23851A3	Keyswitch, Run/Stop, English or Bilingual	 SPL 32-AAA23851A
	AAA23851A4	Keyswitch, Run/Stop, French	
4	AAA72JZ1	Nut (for Run/Stop toggle switch)	
5	AAA613DA2	Relay, 6 V (for alarm button)	
6	6073F6	Switch, Toggle, Run/Stop	

# ADA Phone Assembly




ALL VINTAGES			
REF. No.	PART No.	DESCRIPTION	
1	AAA23600X500	Assembly, Small Display (remote serial link + Secondary Car Arrows (SCA))	 SPL 22-AAA23600X for Details
	AAA23600X502	Assembly, Small Display (remote serial link and w/o SCA)	
	AAA23600X501	Assembly, Small Display (discrete wiring)	
2	AAA386LSC2	Bracket (speaker)	
3	AAA25300T6	Kit, ADA Phone, English, Non-Metallic Graphic	 SPL 31-AAA25300T for Details
	AAA25300T7	Kit, ADA Phone, French, Non-Metallic Graphic	
	AAA25300T8	Kit, ADA Phone, French/English, Non-Metallic Graphic	
4	AAA443EP3	Lens	
5	AAA655B6	Speaker, 45 Ohms	
6	AAA655B5	Speaker, 8 Ohms (Speech)	

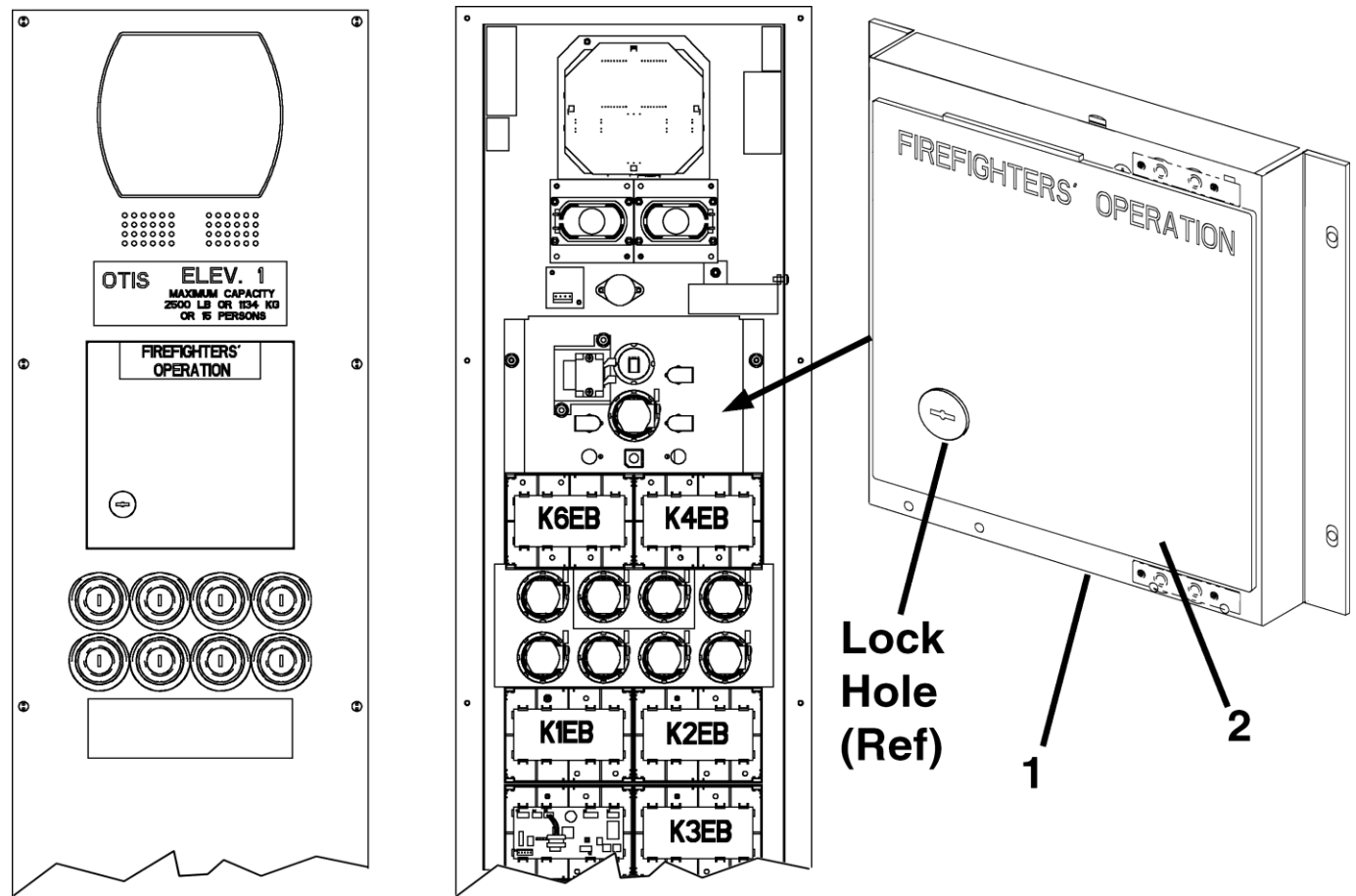






**ALL VINTAGES**

REF. No.	PART No.	DESCRIPTION
1	6219F3	Buzzer
2	AAA251EH1	Holder, PC Board (for remote station extender)
3	9693J2	PC Board, Line Terminator (RSL)
4	ABA26800AHE1	PC Board, Remote Station Extender, NRSEB8 (8 I/O)
5	---	PC Board, Telephone  SPL 31-AAA25300T

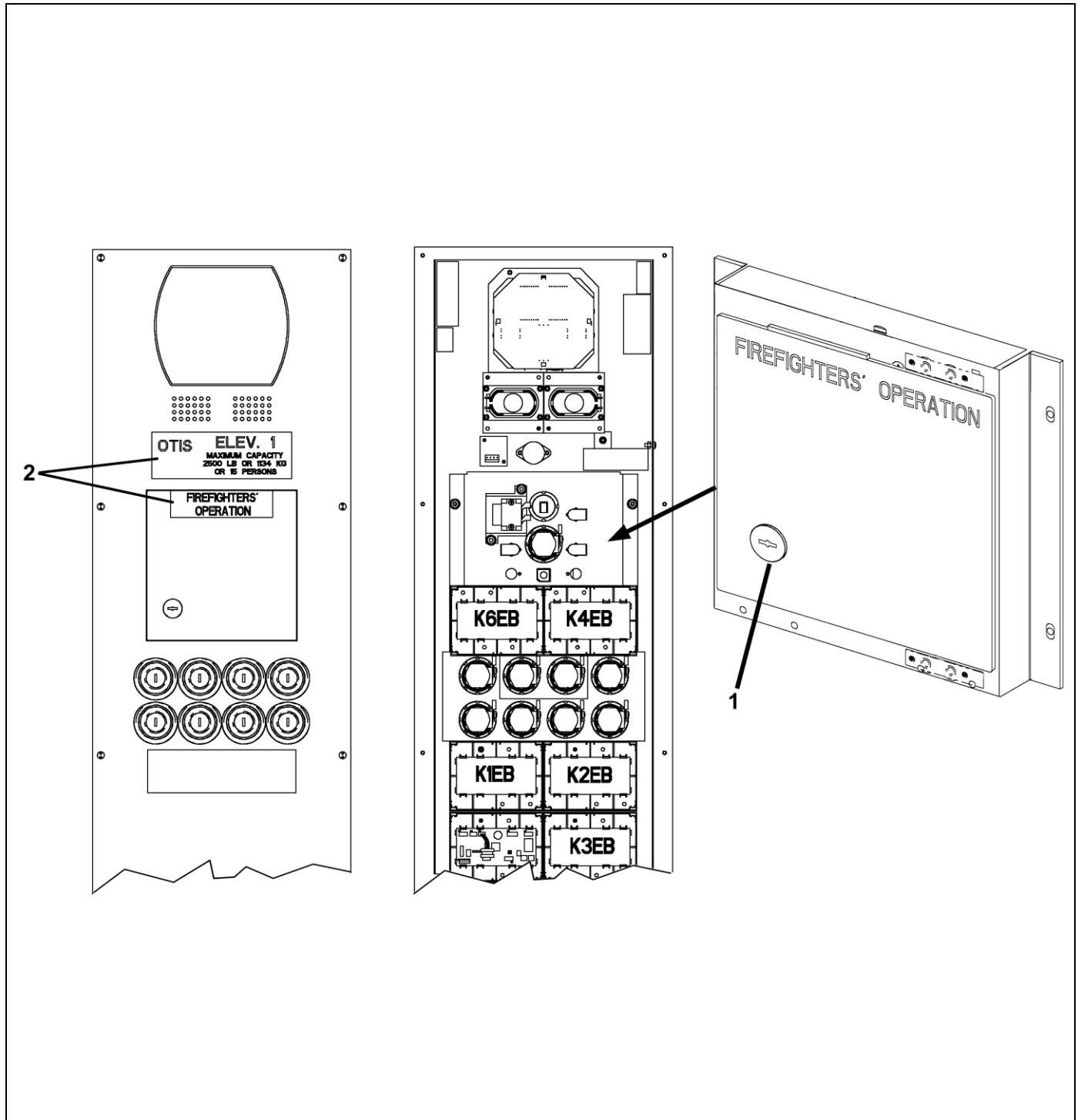
# Firefighter's Cabinet





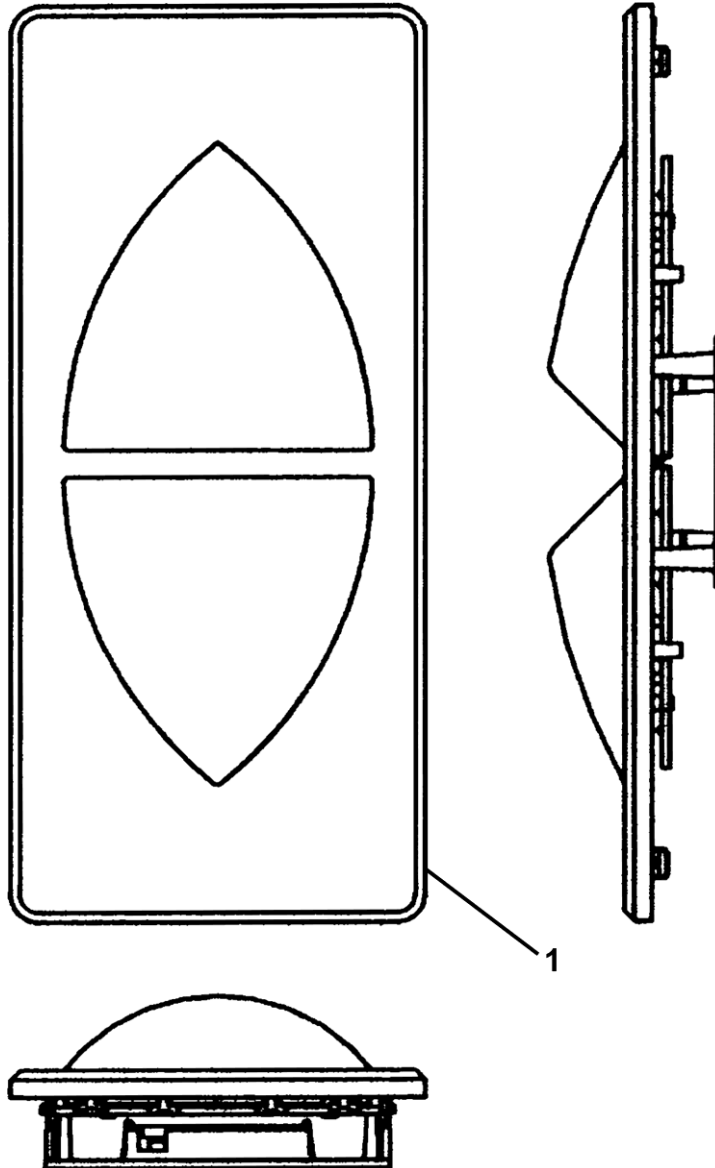
ALL VINTAGES		
REF. No.	PART No.	DESCRIPTION
1	---	Assembly, Firefighter's Cabinet, AAA7144CK,  SPL 31-AAA7144CK
2	---	Door, Firefighter's Cabinet, Type AAA406CE,  SPL 31-AAA406CE


# Firefighter's Cabinet

**31-AAA25000DR**



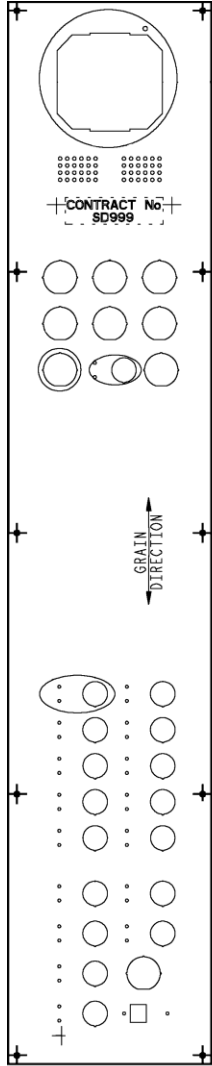
ALL VINTAGES		
REF. No.	PART No.	DESCRIPTION
1	---	Lock, Fire Panel, Type AAA431AQ,  SPL 31-AAA431AQ
2	---	Plate, Instruction, Type AAA102VB,  SPL 31-AAA102VB



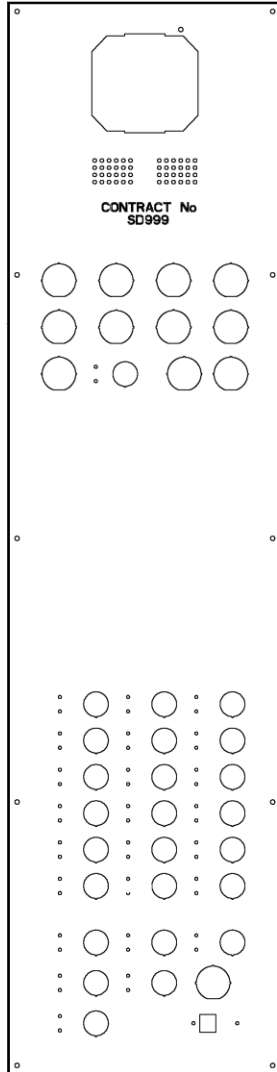
ALL VINTAGES		
REF. No.	PART No.	DESCRIPTION
1	---	Assembly, Lantern, In-Car, Type AAA23550U,  SPL 34-AAA23550U

# Faceplate, Series II COP

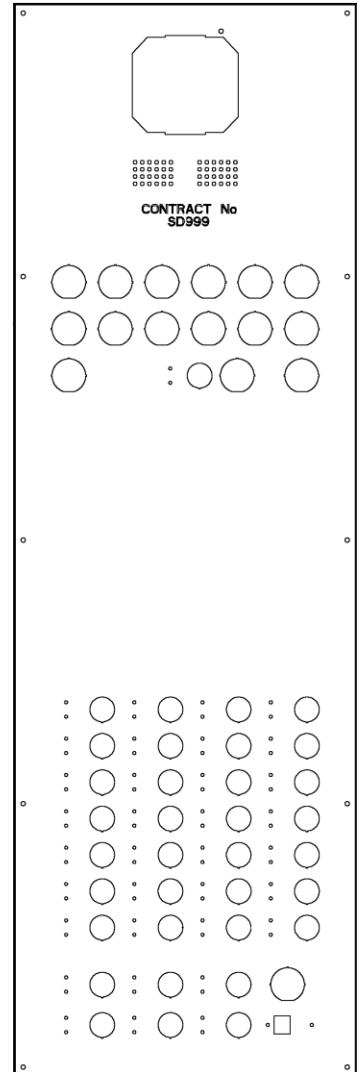
**31-AAA2500DR**



**Type 1**



**Type 2**

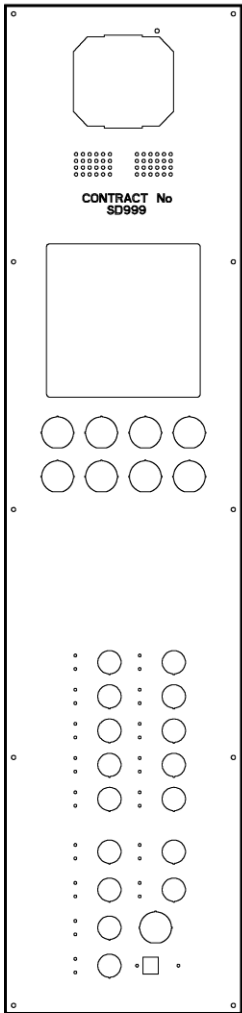


**Type 3**

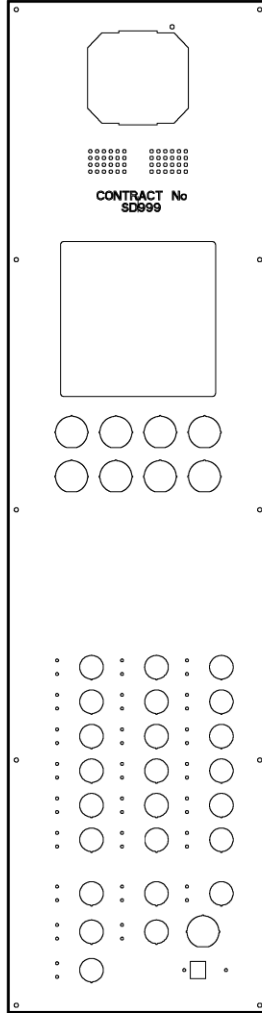
ALL VINTAGES	
PART No.	DESCRIPTION
- - -	Faceplate, Type AAA147SD, Contract Specific, Contact OSC Fixtures Department

Continued on next page.

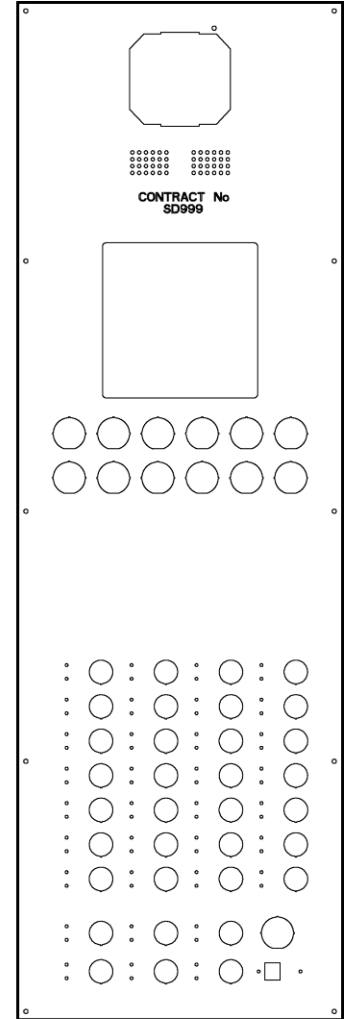
**Faceplate, Series II COP**



**Type 4**



**Type 5**

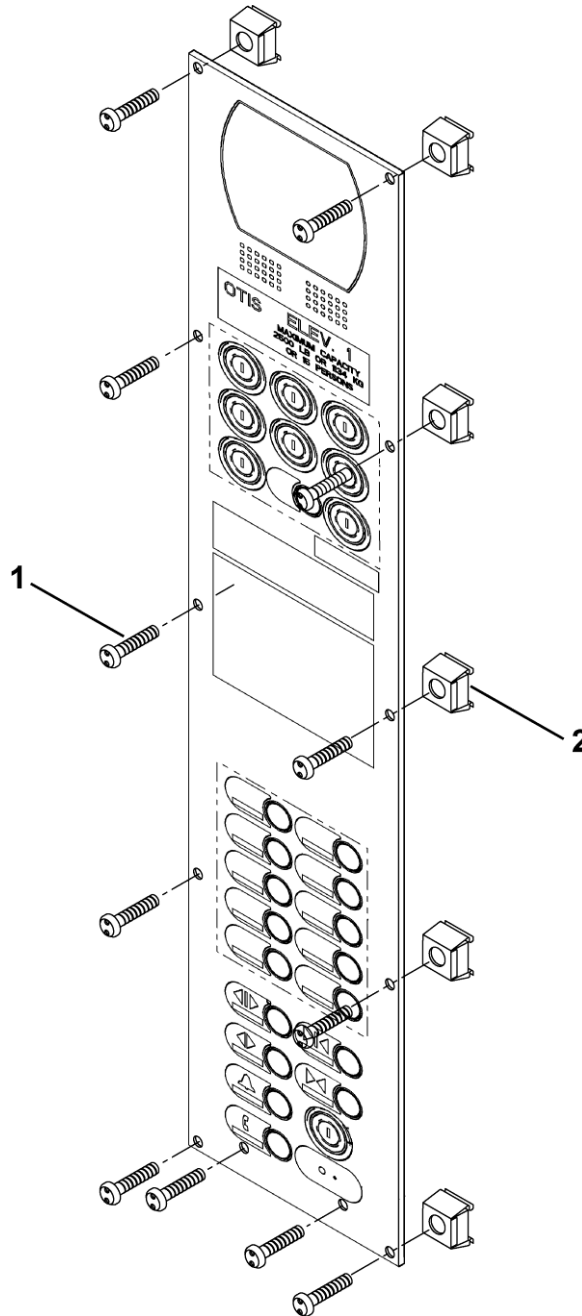


**Type 6**

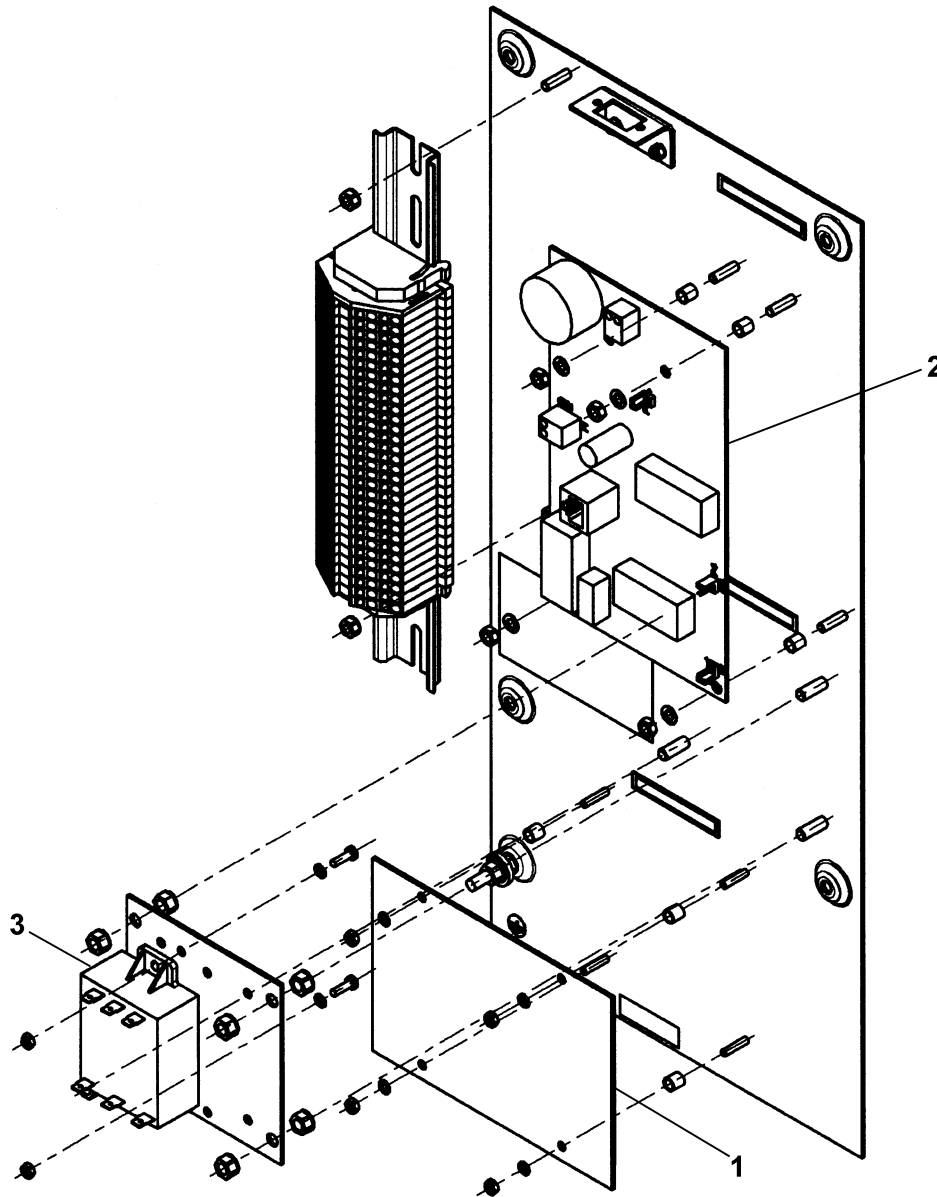
<b>ALL VINTAGES</b>	
<b>PART No.</b>	<b>DESCRIPTION</b>
- - -	Faceplate, Type AAA147SD, Contract Specific, Contact OSC Fixtures Department


# Faceplate Screws

**31-AAA2500DR**



ALL VINTAGES		
REF. No.	PART No.	DESCRIPTION
1	AAA124HE5	Screw, Tamper-Resistant, M4 x 20 mm, Brushed Stainless
	AAA124HE6	Screw, Tamper-Resistant, M4 x 20 mm, Brushed Brass
	AAA124HE7	Screw, Tamper-Resistant, M4 x 20 mm, Mirror Stainless
	AAA124HE8	Screw, Tamper-Resistant, M4 x 20 mm, Mirror Brass
2	72DJ21	Nut, Grip, M4 Screw Size



ALL VINTAGES		
REF. No.	PART No.	DESCRIPTION
1	ACA26800ACW1	PC Board, Speech
2	AAA25300P1	Phone Board, COP
3	AAA621AN9 AAA27076JN2	Power Supply,  <b>NOTE</b>

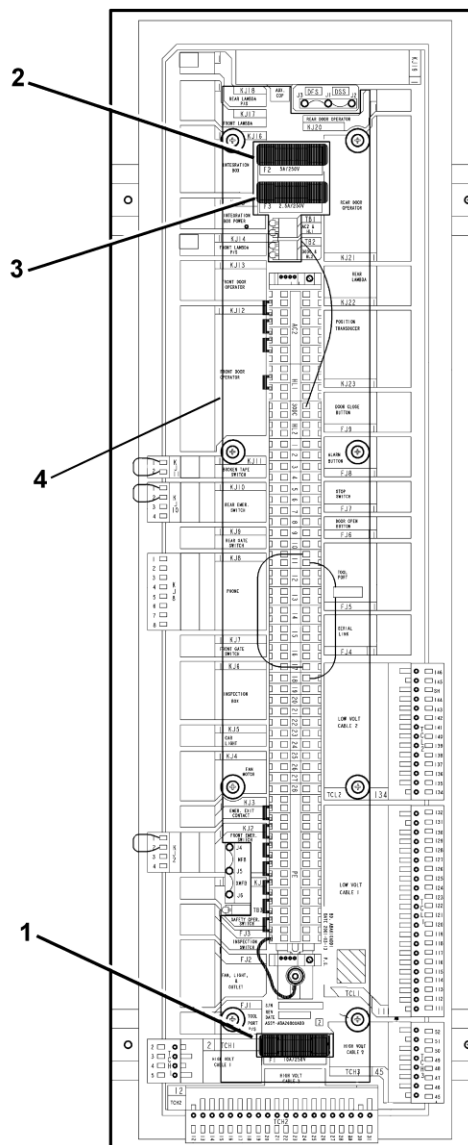
**NOTE:** AAA27076JN2 is a retrofit kit. For more information, see TIP 20.2-3, AAA621AN9 and AAA621AN43 Power Supply Replacement Information.








# COP Terminal Panel

**31-AAA2500DR**

Terminal Assembly  
for Gen2 R2 Shown.  
Other systems similar.



ALL VINTAGES		
REF. No.	PART No.	DESCRIPTION
1	AAA375CJ4	Fuse, Slow-Blow, 10 A, 500 VAC (F1)
2	AAA375BR11	Fuse, Slow-Blow, 2.5 A, 500 VAC (F3)
3	AAA375CJ3	Fuse, Slow-Blow, 5 A, 500 VAC (F2)
4	ABA25400AK1	Panel, Terminal,  120 VAC LAMBDA® Door Detector System
	ABA25400AK2	Panel, Terminal,  30 VDC LAMBDA® Door Detector System, Using Series 1, 2 or 3 Cab
	ABA25400AK3	Panel, Terminal,  30 VDC LAMBDA® Door Detector System, Using on-Otis Cab
	ABA25400AK4	Panel, Terminal,  GEM for Modernization
	ABA25400AK5	Panel, Terminal,  Gen2® REL2 and 30 VDC LAMBDA® Door Detector System