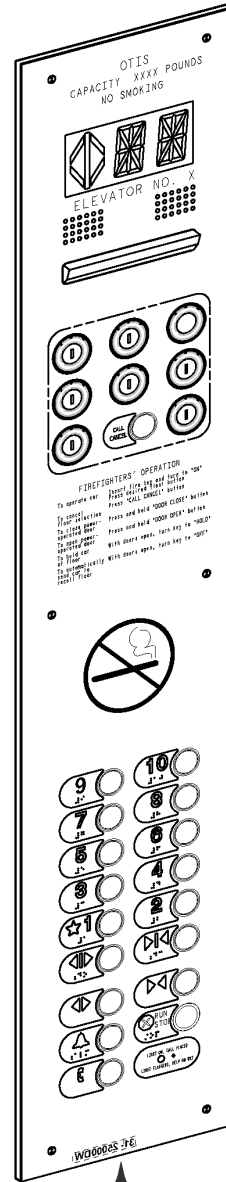


**Car Operating Panel M3
Series w/PIDI Combo and
ADA Speech Board
(Modernization)**

**Spare Parts Leaflet
31-AAA25000DW**

January 24, 2024 / Page 1 of 18

31 AAA25000DW



This document contains technical data
subject to EAR. ECCN: EAR99

SERVICE ENGINEERING
Otis Elevator Company
Bloomfield, Connecticut USA

Unpublished Work—© Otis Elevator Co.; 2024

Leaflet Description

This spare parts leaflet covers all the LRUs for the one-, two-, and three-row car operating panels with position indicator, direction indicator (PID) combo and ADA speech board. This COP application is for all Mod panels made from 2008. In 2009, Otis made a decision to obsolete the AAA23500AK, BY, and CC 24 volt buttons. They are directly replaced by the AAA23500CH buttons.

Leaflet Revisions

See Next Page for Revision History

Related Drawings

Drawing No.	Title
AAA25000DW	Assembly, Modernization, Car Operating Panel w/PID Combo and ADA Speech Board

Related Documents

Document ID	Title
SPL 31-AAA7144CL	Firefighter's Cabinet (Series 2 and 4 COP)
SPL 31-AAA250G	Graphic Inserts
SPL 31-AAA23500AL	Jewel Fixture
SPL 31-AAA23851B	Jewel Fixture
SPL 31-AAA431AF	Keylock
SPL 32-AAA23851A	Keyswitch (Series 5 fixture)
SPL 31-AAA270BM	Keyswitch Adaptors Light Rings Engraved Collars
SPL 31-AAA23500F	Keyswitch Assemblies: Light Ring & Engraved Collar Version
SPL 31-AAA23500T	Phone Jack Assembly
SPL 32-AAA23500CH	Pushbutton, Micro-Motion III
SPL 32-AAA23500BY	Luxury Micro-Motion III Pushbuttons (Standard)
SPL 32-AAA23500AM	Luxury Micro-Motion III Pushbuttons (Vandal-Resistant)
SPL 31-AAA00431AAC	Service Cabinet Cam Locks
TIP 1.1.25.0-6	Global Ops Speech Setup

Subject Matter Expert

Name	Department
Paul Anthony	OSC Service Engineering

About Spare Parts Leaflets...

This document lists the lowest replaceable units (LRUs) for the standard version of the product. The LRUs are chosen by a team of Otis associates representing engineering and manufacturing.

While goal of this document is to make parts identification as easy as possible, the document cannot be all-inclusive. Elevator and escalator contracts classified as "special" or "custom" are not addressed here. For such contracts, please refer to specified information, the contract folder, TIPs, Field Education Articles, Construction Letters, etc. for further information.

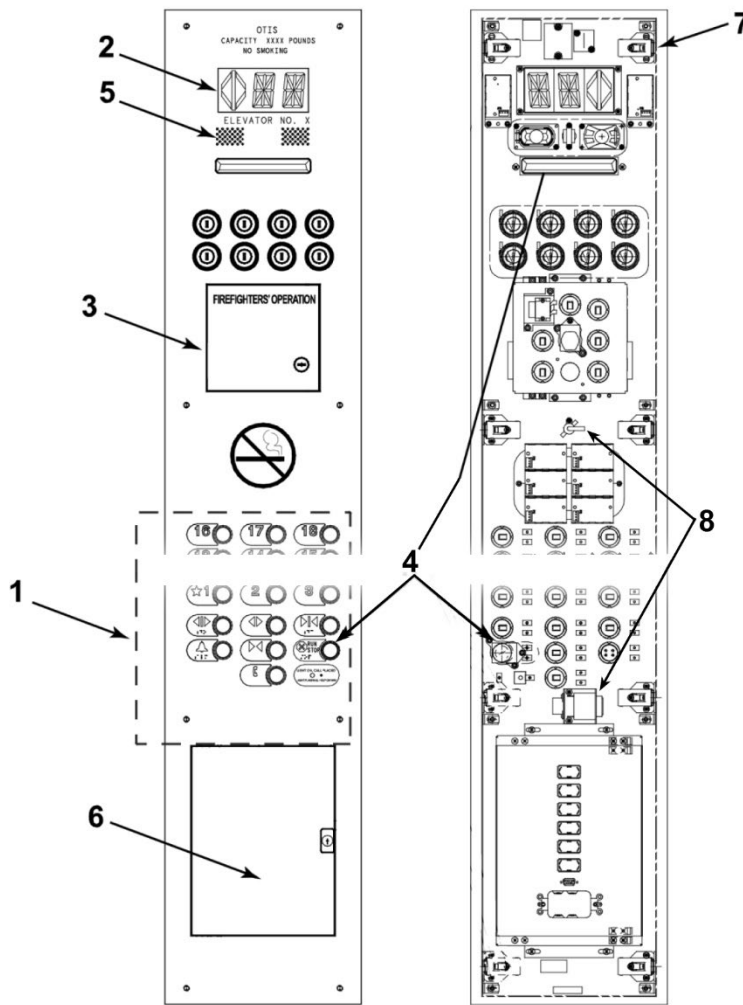
If you have any suggestions about this document, please contact the subject matter expert listed on this page.

History

31-AAA25000DW

Leaflet Revisions

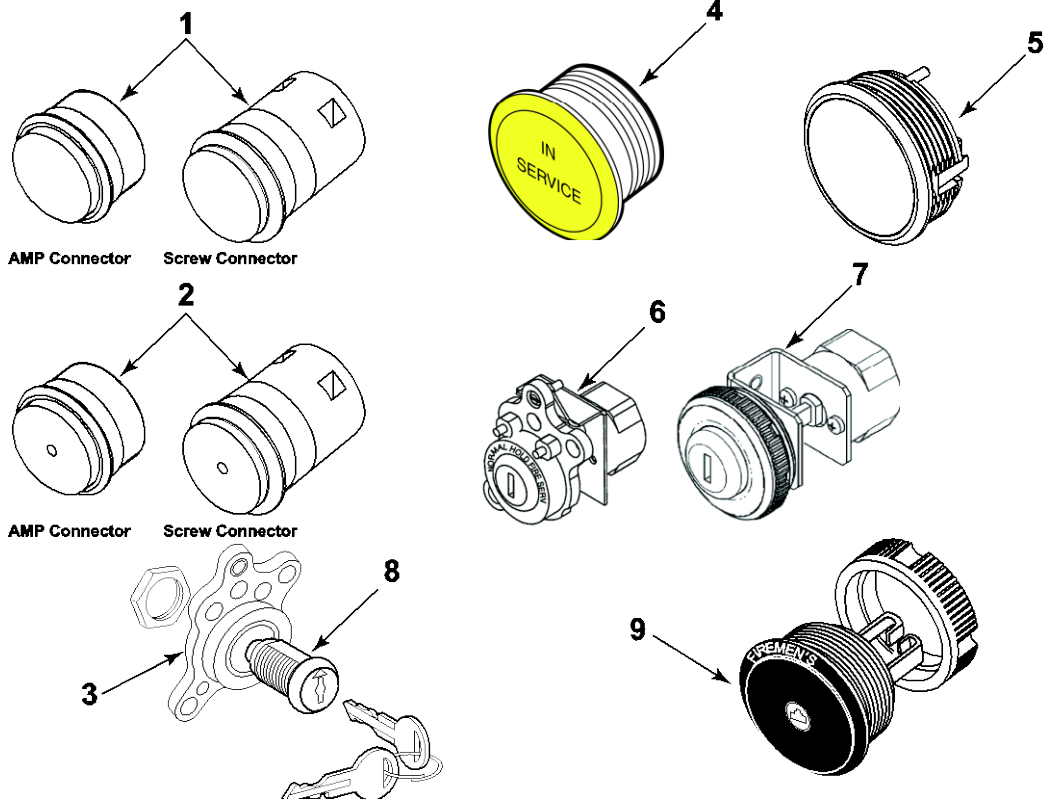
Date Revised	Subject Matter Expert	Reason for Revision
July 9, 2008	Joseph D. Zych	New SPL
April 1, 2009	Joseph D. Zych	Page 4 AAA23500AK, BY, and CC buttons superseded by AAA23500CH buttons. Corrected reference 8, p. 4 from 31- to 32-AAA23851A. Update p. 4 Table of Contents.
August 29, 2012	Joseph D. Zych	Added p/n AAA26800ASF1 in ref. 1 on p. 8
January 11, 2017	Joseph D. Zych	Corrected housing part number in Ref. 5 on p. 8
March 29, 2017	Joseph D. Zych	Added p/n ABA26800APS1; Added new pp. 14–16
May 31, 2017	Joseph D. Zych	Corrected Ref. 1 on p. 16
July 26, 2017	Joseph D. Zych	Corrected descriptions in Ref. 7 on p. 10
September 6, 2017	Joseph D. Zych	Corrected part number in Ref. 5 on p. 10
June 13, 2018	Joseph D. Zych	Corrected Related Documents table on History page
July 11, 2018	Joseph D. Zych	Added p/ns 7014A15, 6073F4, 6073F5, and 6073F1 on p. 8
February 13, 2019	Joseph D. Zych	Added p/ns AAA26800ALC4 and AAA26800ALC5 on p. 5 and ACA26800APS1 on p. 9
November 20, 2019	Ramone Reynolds	Added p/ns 6599D21 and 6599D22 on p. 8
October 12, 2022	Paul Anthony	Added p/n AAA27076JN2 and a NOTE on p. 13
February 8, 2023	Labib Javed	Replaced AAA443FJ1 with AAA443FJ3 on p. 8
January 24, 2024	Paul Anthony	Added Otis ONE components.



REF. No.	PAGE	DESCRIPTION
1	---	Braille Plates, Type AAA250K, See SPL 31-AAA250G
1, 4	5	Buttons & Keyswitches
2	6	Position Indicator Direction Indicator (PIDI)
8	7	Tone Device & Buzzer
3	8	Fire Service Cabinet (General Location When Furnished)
4	9	Emergency Fixtures
5	10	Intercom
6	11-12	Phone/Service Cabinet (general location when furnished)
---	13	PC Boards
7	14	Connector Mounting Plate Parts
---	15-16	Touch Screen Components
---	17	Compass Components
---	18	Otis ONE Parts

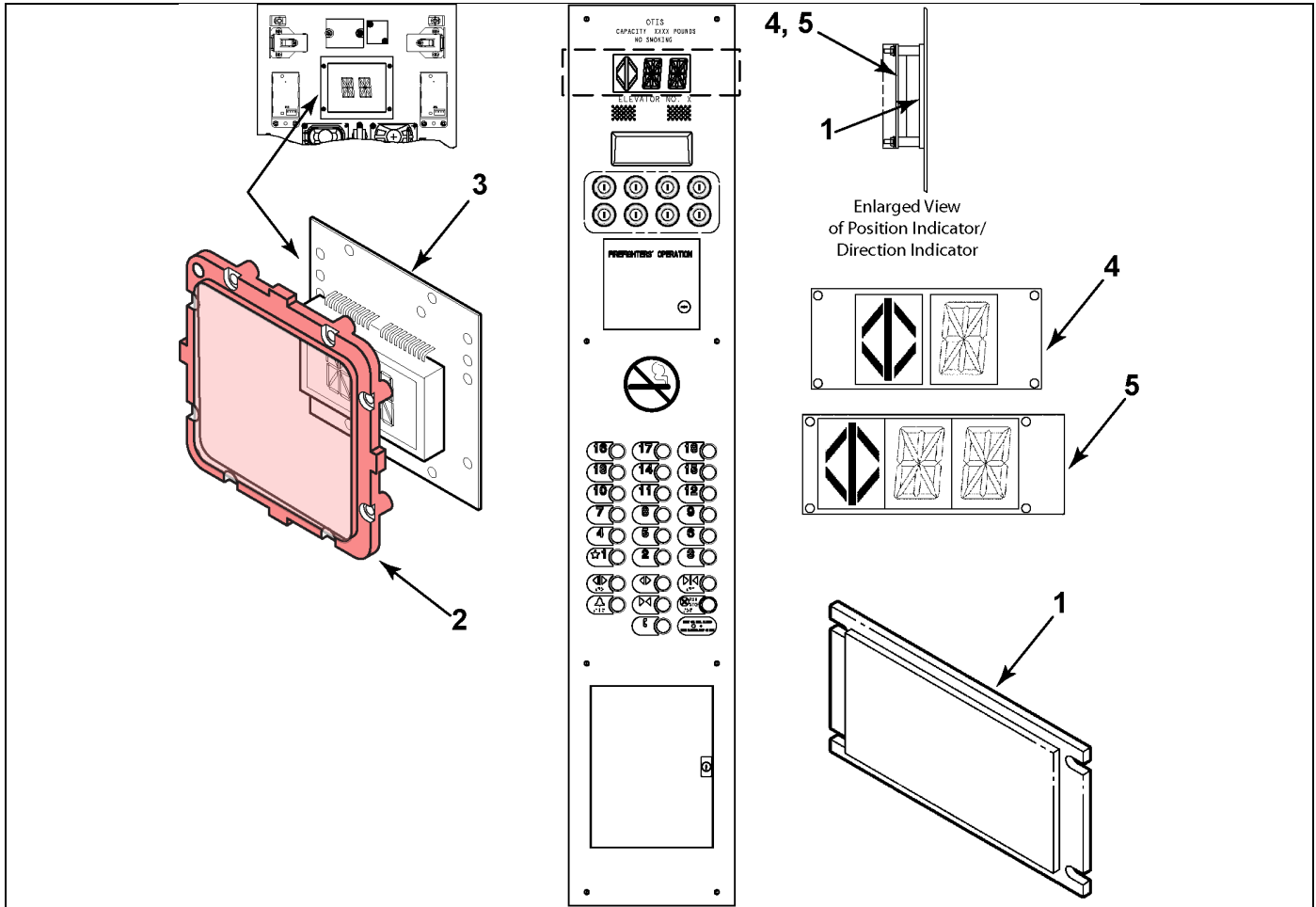
Buttons and Keyswitches

31-AAA2500DW



AAA2500DW

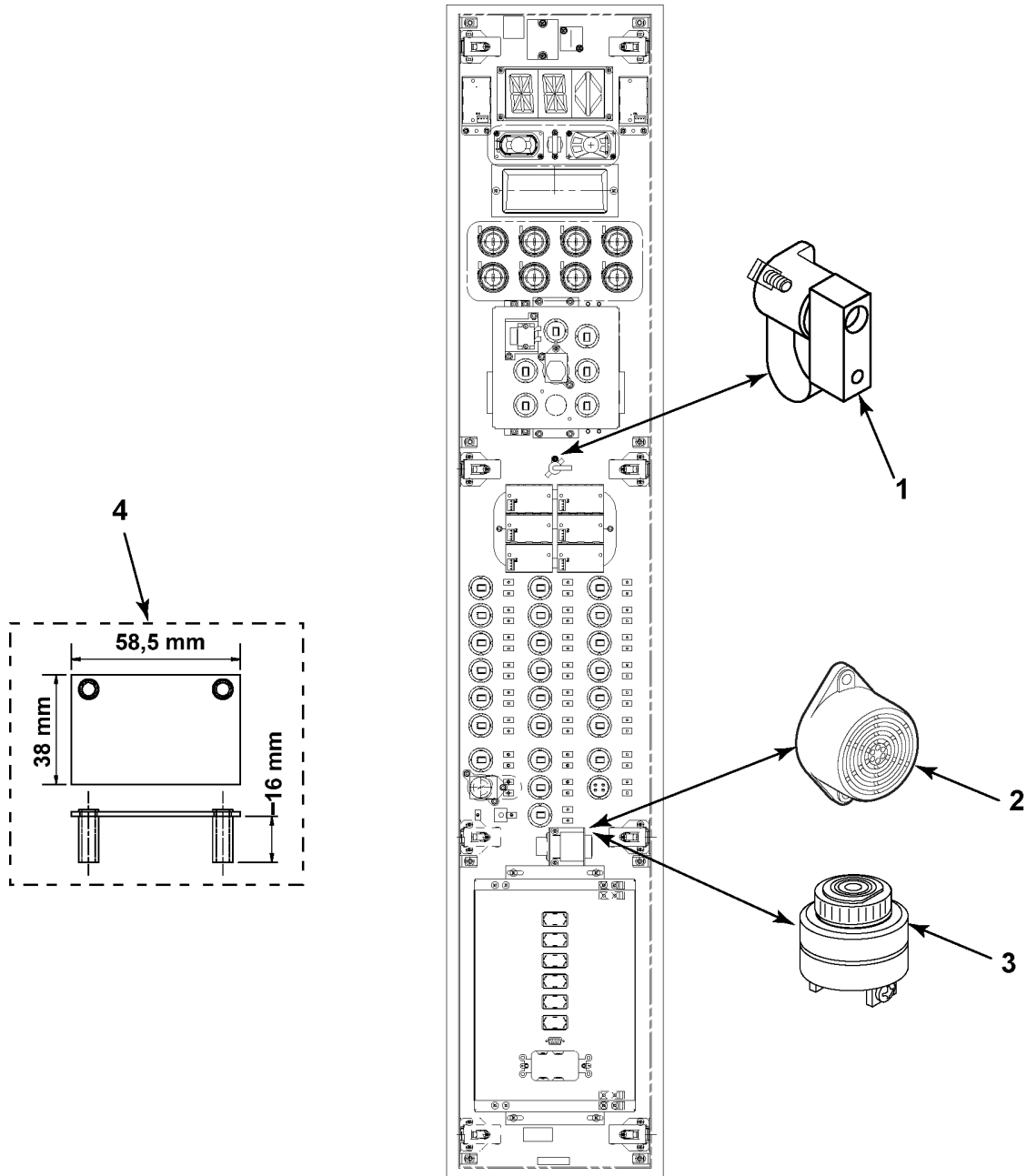
REF. No.	PART No. or SPL No.	DESCRIPTION
1	---	Buttons, Micromotion III, Luxury, Type AAA23500AK
	---	Buttons, Micromotion III, Luxury, Type AAA23500BY
	---	Buttons, Micromotion III, Luxury, Type AAA23500CC
	---	Buttons, Micromotion III, Luxury, Type AAA23500CH, See SPL 32-AAA23500CH
2	---	Button, Vandal Resistant, Type AAA23500AM, See 31-AAA23500AK
	---	Button, Vandal Resistant, Type AAA23500BZ31, See SPL 32-AAA23500BY
3	AAA270BN20	Collar (see SPL 31-AAA270BM)
4	31-AAA23500AL	Jewels, Type AAA23500AL
5	31-AAA23851B	Jewels, Type AAA23851B
6	31-AAA23500F	Keyswitch, Illuminated Light Ring and Illinois Lock, Type ABA23500F
		Keyswitch, Engraved Collar and Illinois Lock, Type ABA23500G
		Keyswitch, Engraved Collar and Ace Lock, Type ABA23500K
		Keyswitch, Keyswitch Module, Type ABA23500R, Emergency Medical Service
		Keyswitch, Engraved Collar and Northeast Lock (type AAA431AK), Type ABA23500W
		Keyswitch, Engraved Collar and Northeast Lock (type AAA634D, F), Type ABA23500AD
7	32-AAA23851A	Keyswitch Module, Type AAA23851A
8	AAA431AF1	Lock, w/Key p/n 6410W-UTA
9	---	Phone Jack, Firefighter's (see SPL 31-AAA23500T)



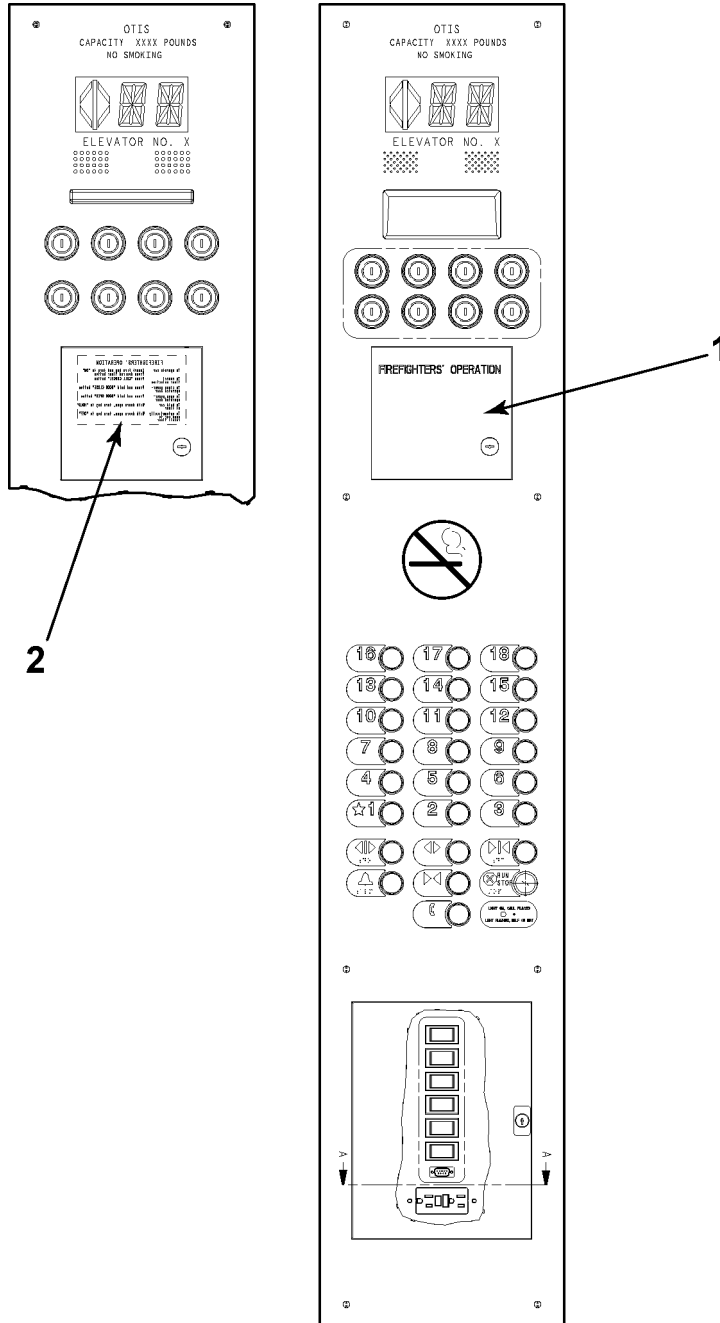
AAA25000DW			
REF. No.	PART No.	DESCRIPTION	
1	AAA443EC6	Lens, Car Position Indicator, Direction Indicator, Smoke Gray	
2	443CC1	Lens, Car Position Indicator, Green	
	443CC2	Lens, Car Position Indicator, Red	
3	ACA26800HJ1	PC Board, Car Position Indicator (Green), 30 VDC	
	AAA26800AJX1	PC Board, Car Position Indicator (Red), 30 VDC	
4	AAA8200BV1	Car Position Indicator, 1.2 in. H Two-Character, 16 Segment, Green Vacuum Fluorescent, 115 VAC	
	AAA8200BV2	Car Position Indicator, 2 in. H two-character, 16 Segment, Red LED, 115 VAC	
	AAA8200BV4	Position Indicator Direction Indicator, 2 in. H, 1-Character, 1-Arrow, 16 Segment, Red LED, 115 VAC	
	AAA8200BV5	Position Indicator Direction Indicator, 2 in. H, 2-Characters, 1-Arrow, 16 Segment, Red LED, 115 VAC	
5	AAA26800ALC1	PC Board, Car Position Indicator Direction Indicator, 1-Arrow, 2-Characters, 2.25 in. H, 30 VDC	Red
	AAA26800ALC3		Green
	AAA26800ALC4		Blue
	AAA26800ALC5		White

Tone Device and Buzzer

31-AAA2500DW



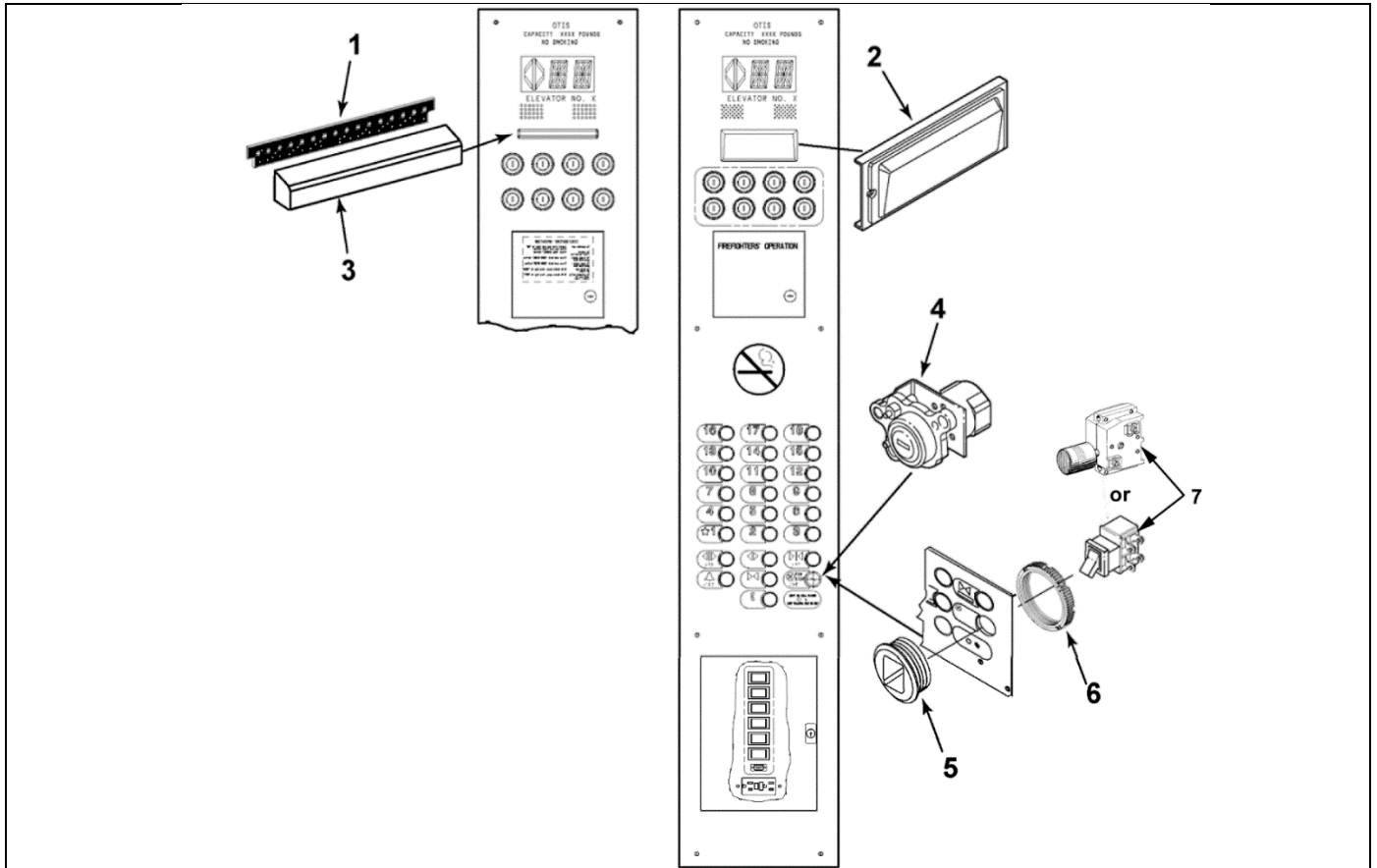
REF. No.	PART No.	DESCRIPTION
1	6219D2	Buzzer, 115 VAC
2	6219F2	Buzzer, 30 VDC
3	A6219G4	Device, Landing-Passing Tone, 115 VAC (used for COP w/o CPI)
	A6219G1	Device, Landing-Passing Tone, 30 VDC (used for COP w/CPI)
4	AAA8200BV14	PC Board, Landing-Passing Tone for 115 VAC NOTE: used with CE Electronics CPI



REF. No.	PART No.	DESCRIPTION
1	---	Cabinet, Fire Service, See 31-AAA7144CL
2	---	Instruction Plate, Firefighter's, See 31-AAA102VB (mounted on back of door)

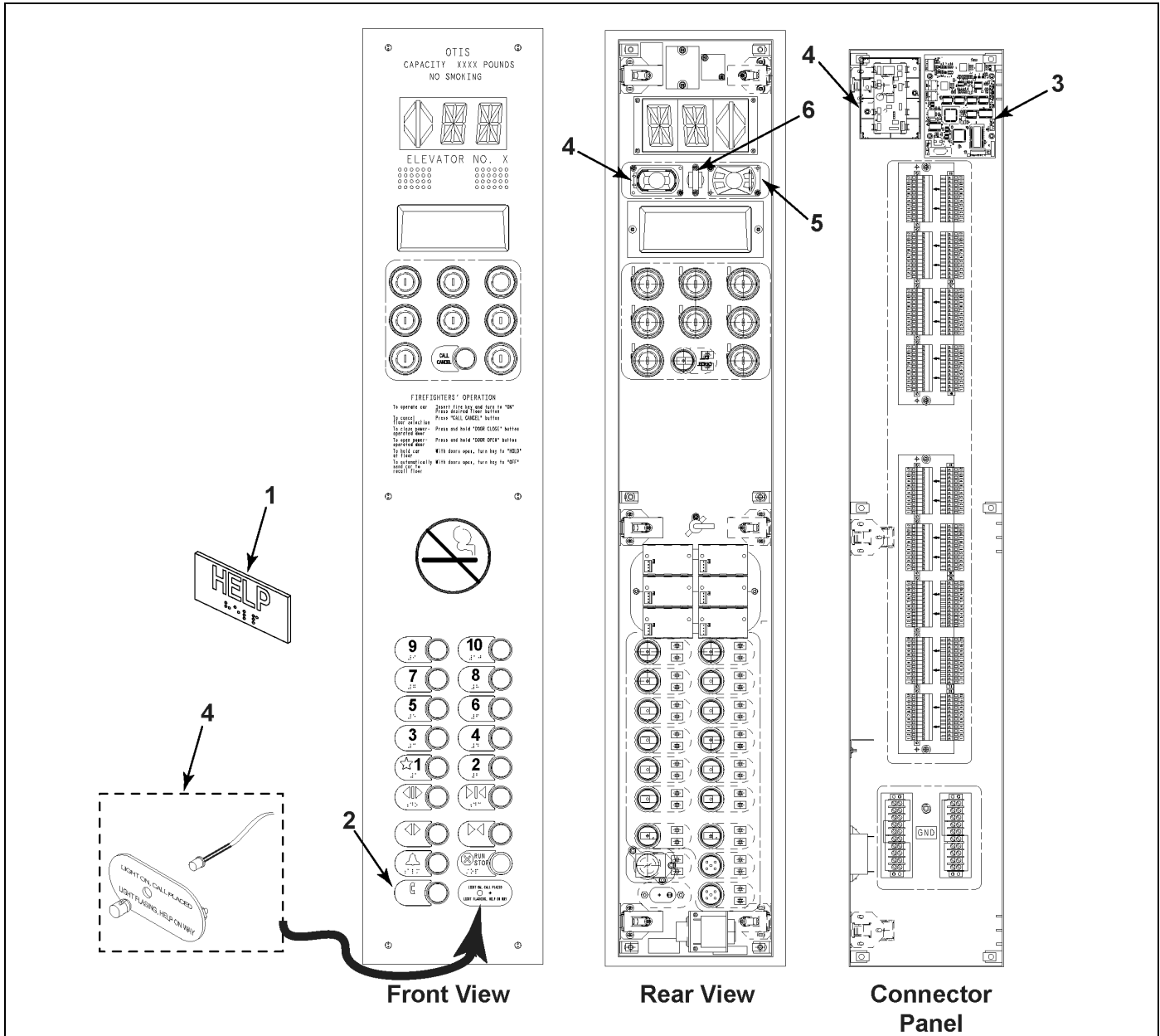
Emergency Fixtures

31-AAA25000DW



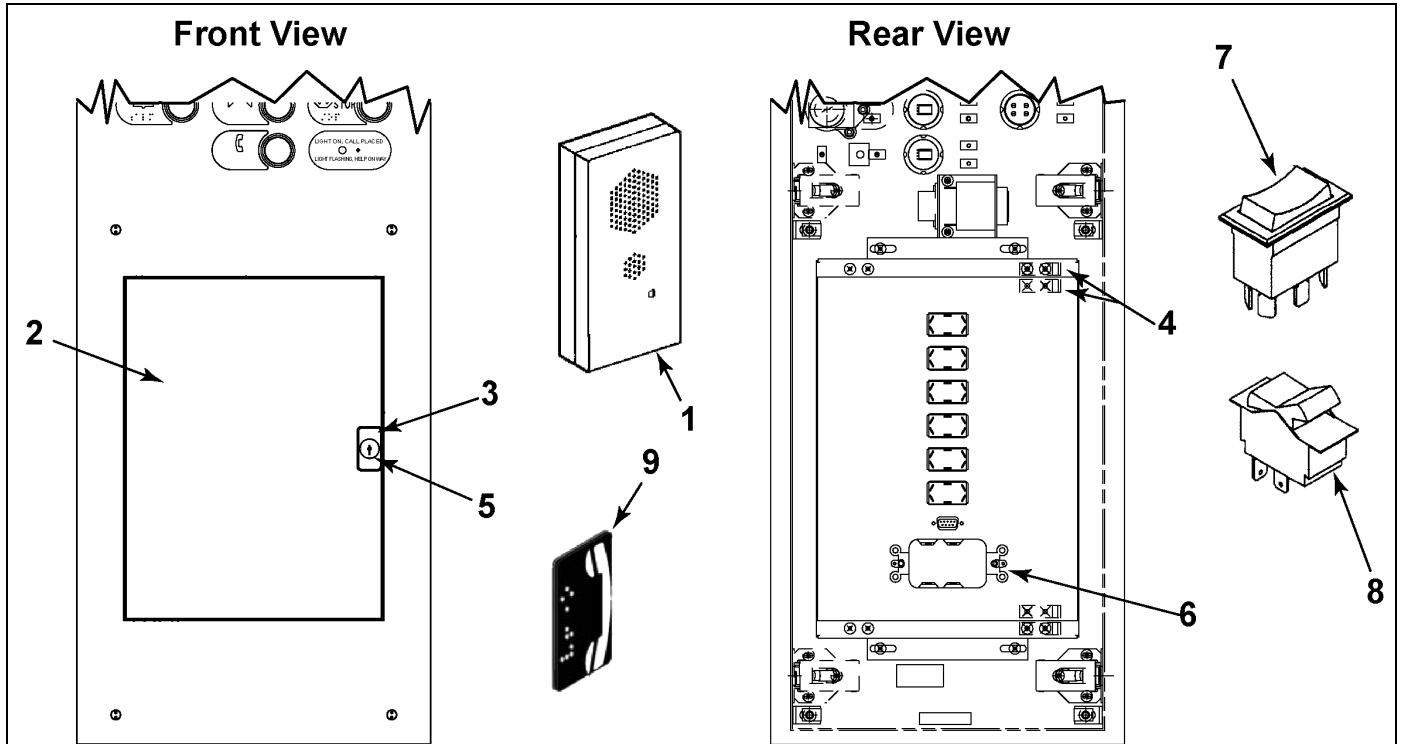
REF. No.	PART No.	DESCRIPTION
	AAA25000DW	
1	AAA26800ANS1	Assembly, Emergency Light, 6 VDC
	AAA26800ASF1	Assembly, Emergency Light, 12 VDC
*	6599D21	Bulb, Emergency Light Fixture, for 6 V Fixture in Ref. 2
	6599D22	Bulb, Emergency Light Fixture, for 12 V Fixture in Ref. 2
2	AAA24719C1	Fixture, Emergency Light, 6 VDC
	AAA24719C2	Fixture, Emergency Light, 12 VDC
3	AAA443FJ1 AAA443FJ3	Lens, Emergency Light (2007 E-Light)
4	ABA23500F11 ABA23500F30	Keyswitch, Emergency Stop, See SPL 31-AAA23500F
		ANSI Pre 2000 ANSI 17.1/B44 pre-2000
5	MAA396W1-RUN STOP	Housing
6	AAA72JZ1	Nut
7	7014A15	Switch, Push/Pull, Emergency Stop, with Red Button
	6073F4	Switch, Push/Pull, Emergency Stop, Brushed Stainless Steel
	6073F5	Switch, Push/Pull, Emergency Stop, Brushed Bronze
	6073F1	Switch, Toggle, Emergency Stop
	6073F6	Switch, Toggle, Emergency Stop

* Parts not shown.



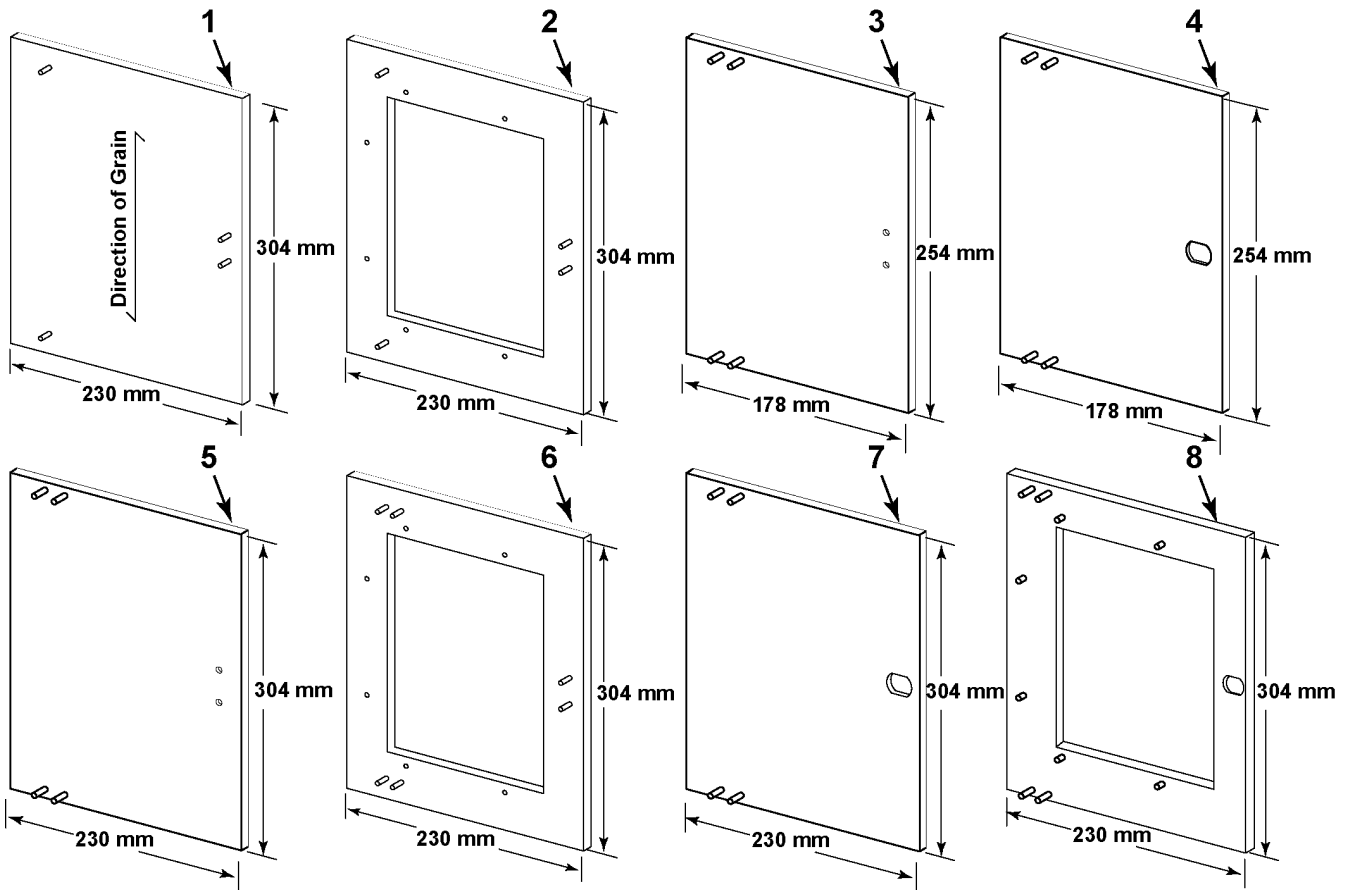
REF. No.	PART No.	DESCRIPTION
1	AAA250L3	Braille Tag, Help (2000 Code)
2	AAA250R1-IPHONE2	Graphic Insert, Phone
3	ABA26800APS4 ACA26800APS1	PC Board, Speech, see NOTE
4	AAA25300T12	Phone, Kit, ADA, English with Non-Metallic Graphic
5	AAA655B5	Speaker, Intercom
6	609D1	Transformer (w/o Speech)

NOTE: For contract specific speech library, contact OSC E-Shop.



AAA25000DW		
REF. No.	PART No.	DESCRIPTION
1	CAA7145E1	Assembly, Phone, Otis Hands-Free, w/Case (for telephone cabinet)
---	AAA174YL10	Cable Assembly, LED (for LED power switch) Not Shown
2	See Page 11	Door, Telephone/Service Cabinet
---	331BK1	Door Catch, Magnetic (not shown)
3	AAA388CK4	Handle
4	310LW1	Hinge, Female
	310LW2	Hinge, Male
---	AAA629AF1	LED Assembly, 30 VDC (for power switch)
5	431Y3-DC	Lock w/2 Keys (for service cabinet) Dull Chrome
	431Y3-BR	Lock w/2 Keys (for service cabinet) Brushed Bronze
6	641A3	Outlet, GFI
---	AAA177EN100	Plug, Dummy (for unused toggle switches), Not Shown
7	AAA177EN1	Switch, Toggle, Center Off
	AAA177EN3	Switch, Toggle, DPDT (2-speed fan, for top-of-car inspection)
	AAA177EN2	Switch, Toggle, DPST (1-speed fan, light, independent service, and power)
8	AAA177EN5	Switch, Toggle, DPDT, Emergency Light Test
9	AAA428H2	Tag, Braille, Phone Figure

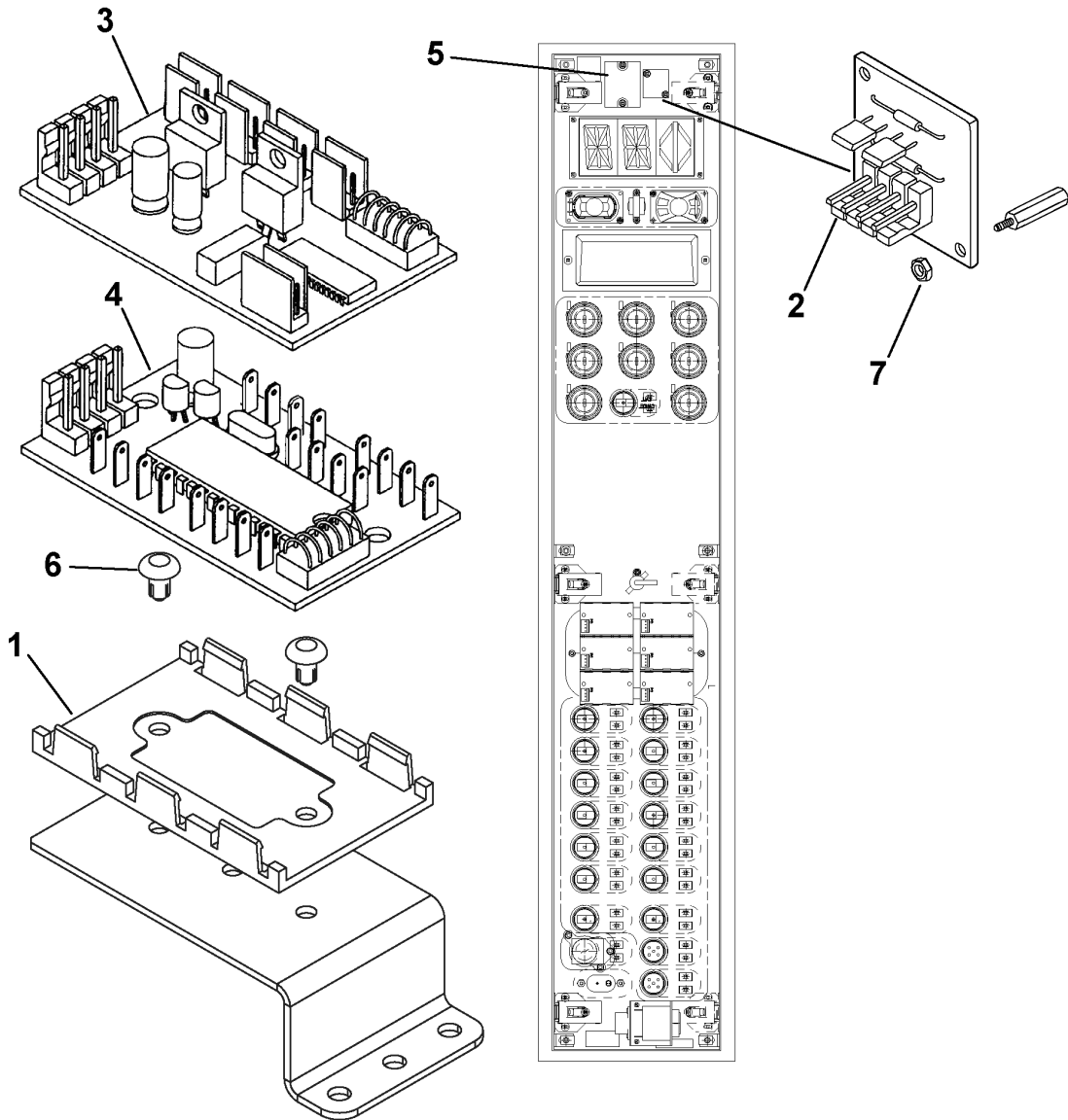
Doors Shown from Rear View



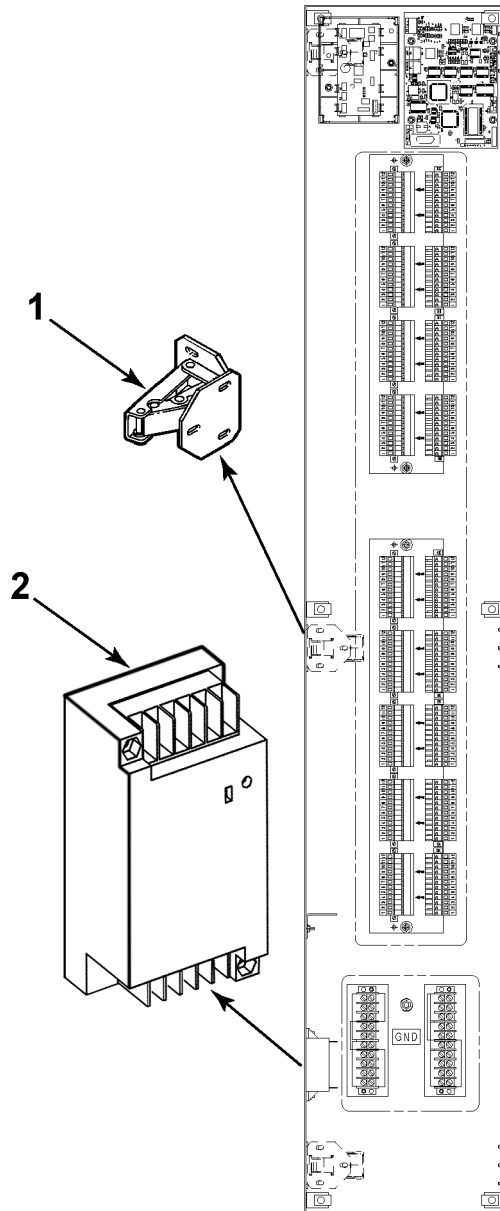
AAA25000DW



REF. No.	PART NO.	FACEPLATE MATERIAL/FINISH	REMARKS
1	AAA406BT1-___	Door, Telephone/Service Cabinet w/o Certificate Frame (3-row COP)	Indicate Material Finish (see NOTE): SS4 = Brushed Stainless Steel SS8 = Mirror Stainless Steel BR7 = Brushed Bronze BR8 = Mirror Bronze
2	AAA406BT2-___	Door, Telephone/Service Cabinet w/Certificate Frame (3-row COP)	
3	AAA406BT3-___	Door, Telephone (2-row COP)	
4	AAA406BT4-___	Door, Service Cabinet (2-row COP)	
5	AAA406BT5-___	Door, Telephone/Service Cabinet, w/o Certificate Frame (3-row COP)	
6	AAA406BT6-___	Door, Telephone/Service Cabinet, w/Certificate Frame (3-row COP)	
7	AAA406BT7-___	Door, Telephone/Service Cabinet w/Block Hinges & w/o Certificate Frame, Lockable	
8	AAA406BT8-___	Door, Telephone/Service Cabinet w/Block Hinges & w/Certificate Frame, Lockable	

NOTE: When placing an order, add material finish to the part number, for example: AAA406BT3-SS4



AAA2500DW		
REF. No.	PART No.	DESCRIPTION
1	FBA316SL1	Holder (for Remote Station PC Board)
2	9693J2	PC Board, Line Terminator (for discrete wiring w/30 V CPI)
	9693J1	PC Board, Line Terminator (for serial communication)
3	GDA25005B10	PC Board, Remote-Station 14 (K5RS–K10RS)
4	GFA23550D10	PC Board, Remote-Station 5 (K1RS, K16RS, K17RS)
5	AAA00613AAA001	Relay, Solid State, for Light and Fan
6	AAA141AN2	Rivet, Plastic
7	NON7203M3-8-2	Nut, Hex Lock, M3 with Lock Washer

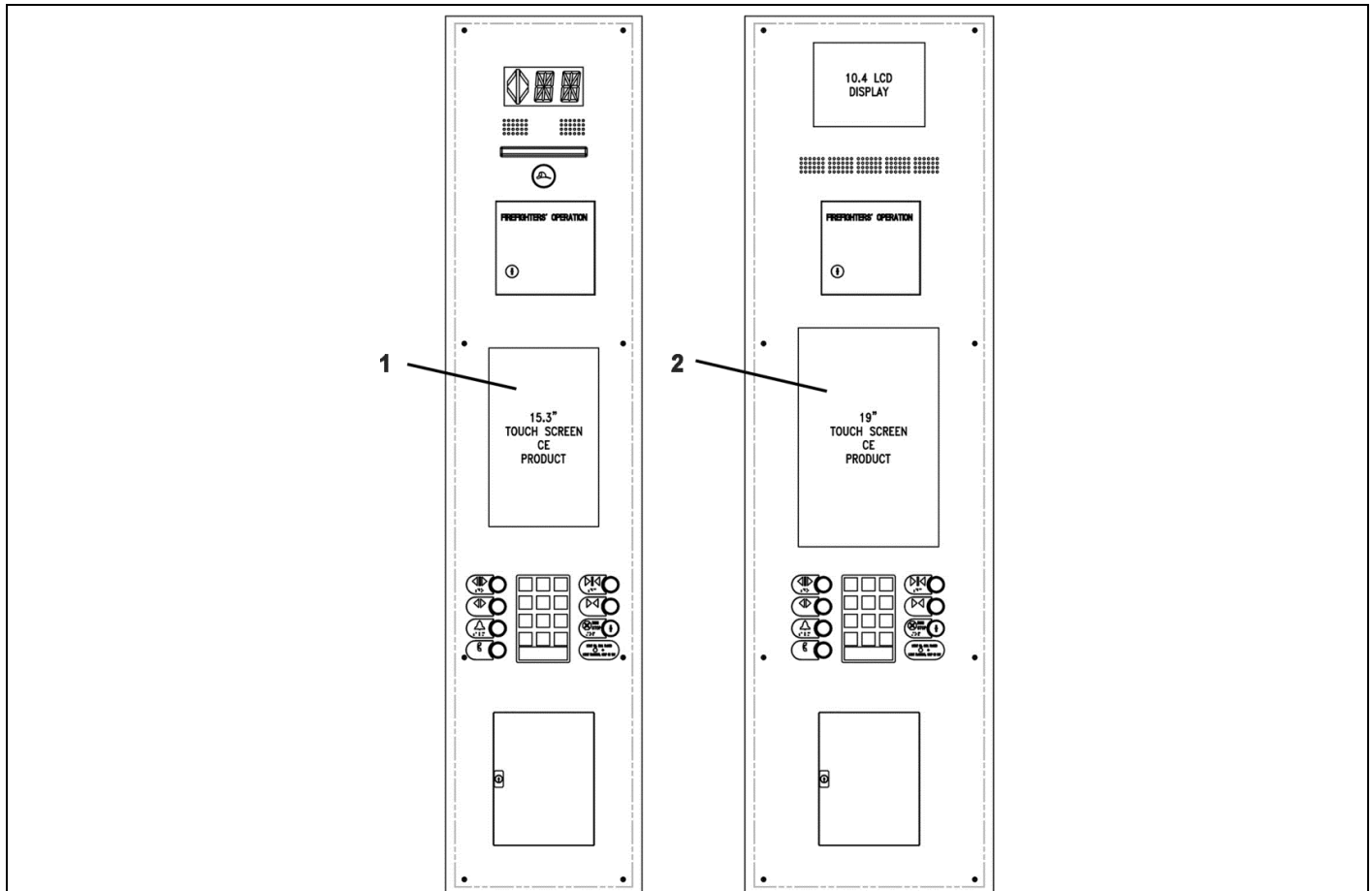


REF. No.	PART No.	DESCRIPTION
	AAA25000DW	
1	AAA391CW1	Hinge, Selby,  and 
2	AAA621AN9 AAA27076JN2	Power Supply, See NOTE

NOTE: AAA27076JN2 is a retrofit kit. For more information, see TIP 20.2-3, AAA621AN9 and AAA621AN43 Power Supply Replacement Information.

Touch Screen System Components (CE Electronics)

31-AAA25000DW

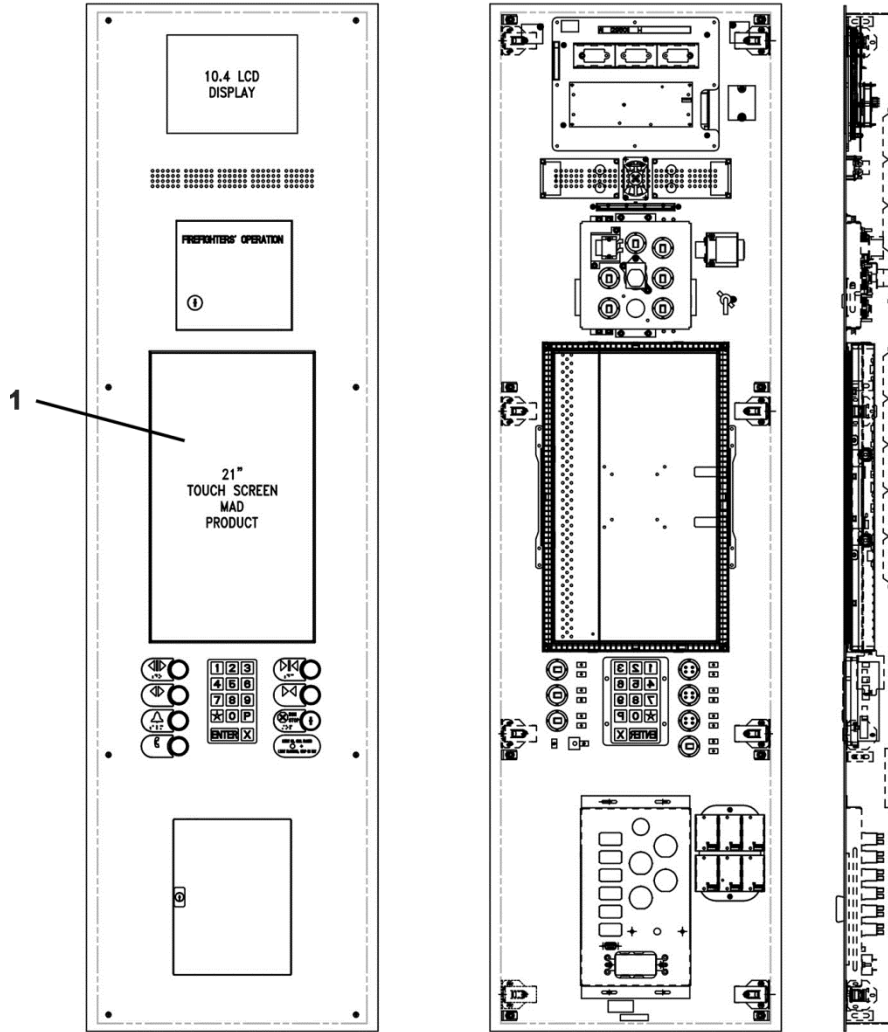


AAA25000DW		
REF. No.	PART No.	DESCRIPTION
1	See NOTE	Assembly, Touch Screen Display, Main COP, 19 in. Diagonally
	See NOTE	Assembly, Touch Screen Display, Auxiliary COP, 19 in. Diagonally
2	See NOTE	Assembly, Touch Screen Display, Main COP, 15.3 in. Diagonally
	See NOTE	Assembly, Touch Screen Display, Auxiliary COP, 15.3 in. Diagonally
*	See NOTE	Kit, Local Electronics
*	See NOTE	Kit, Remote Electronics, w/ Elite Position Indicator
*	See NOTE	Kit, Remote Electronics, w/o Elite Position Indicator
*	See NOTE	Kit, Compass COP using CE Electronics Key Pad
*	See NOTE	Kit, Elite Position Indicator
*	See NOTE	Kit, Auxiliary Position Indicator
*	See NOTE	Kit, Wiring, for Elite Position Indicator, for Multiple Cars

* Part not shown.

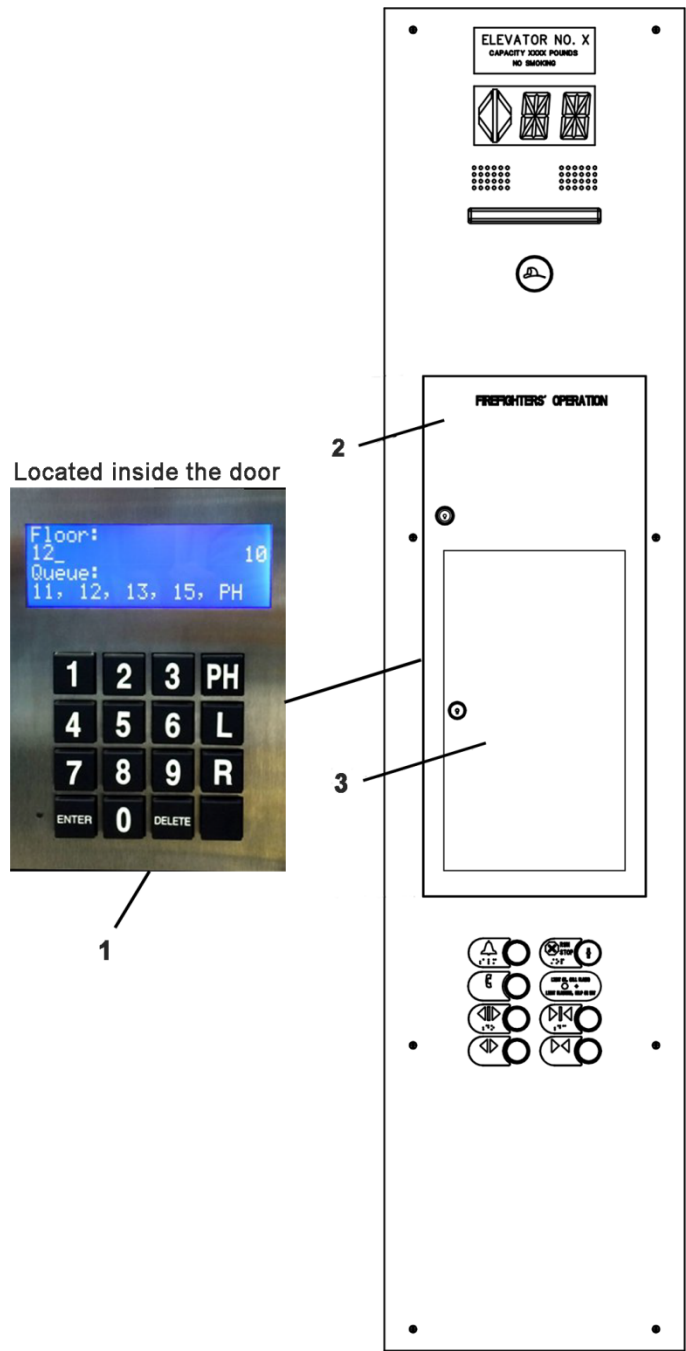
NOTE: For replacement parts for the CE products, contact the OEM directly.

Touch Screen System Components (MAD Fixtures)

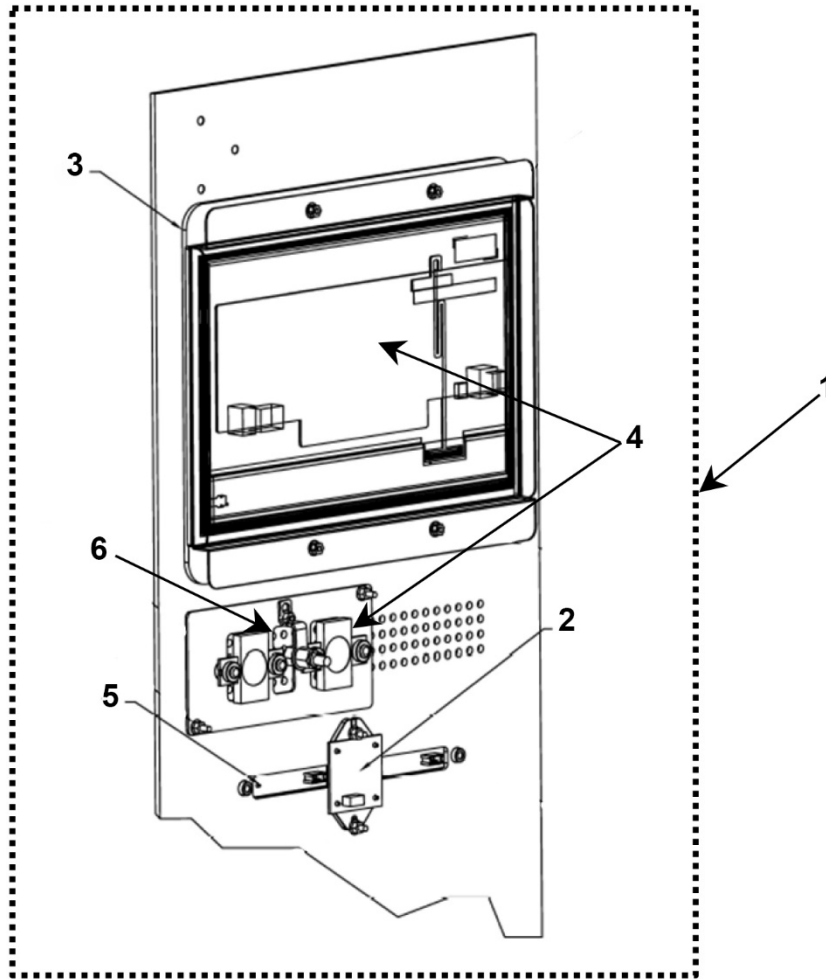


AAA25000DW		
REF. No.	PART No.	DESCRIPTION
1	See NOTE	Kit, Touch Screen, Main COP, 21 in. Diagonally, for 2–20 Openings
	See NOTE	Kit, Touch Screen, Main COP, 21 in. Diagonally, for 21–44 Openings
	See NOTE	Kit, Touch Screen, Main COP, 21 in. Diagonally, for 45–68 Openings
	See NOTE	Kit, Touch Screen, Main COP, 21 in. Diagonally, for 69–92 Openings
	See NOTE	Kit, Touch Screen, Auxiliary COP, 21 in. Diagonally, with 30 ft. HDMI Cable

NOTE: For replacement parts for the MAD products, contact the OEM directly.



REF. No.	PART No.	DESCRIPTION
1	AAA639EP999	Assembly, Compass Keypad, See SPL 32-AAA639EP
2	---	Door, Compass Outer, Type AAA406CN
3	---	Door, Compass Inner, Type AAA406CN



AAA2500DW		
REF. No.	PART No.	DESCRIPTION
1	AAA27076KC5	Accessories Kit, Otis One Plus Video/Voice
*	AAA174CEK1	Cable, Speaker Extension
2	AAA180KS2	Camera and Holder Assembly
3	AAA443FT11	Cover Lens
4	AAA29501AP1	Display, ELO, 10.1 LCD Flush-Mount (Includes Speakers)
5	AAA417DK1	Emergency Light and Lens Assembly, 2019 Code
6	AAA174CDV1	Harness, ELO - Elevator Car Display (Includes Microphone)

* Not Shown