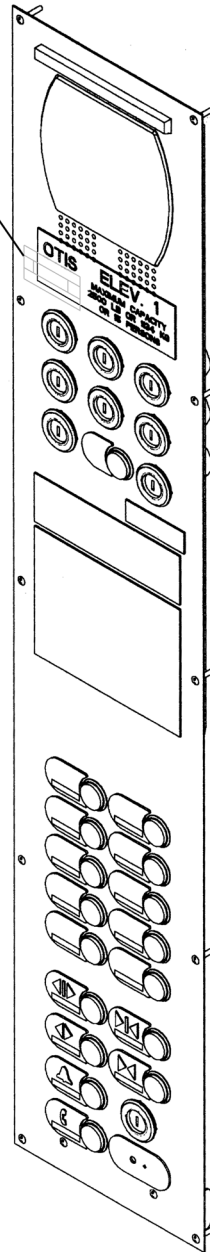


**Car Operating Panel
Series II Fixtures
w/Emergency Light**

**Spare Parts Leaflet
31-AAA25000DX**

January 24, 2024 / Page 1 of 17

31 H - AAA25000DX



This document does not contain any technical data subject to EAR or ITAR

**SERVICE ENGINEERING
Otis Elevator Company
Bloomfield, Connecticut USA**

Unpublished Work—© Otis Elevator Co.; 2024

Leaflet Description

This leaflet provides spare parts information for the Series II fixtures car operating panel, type AAA2500DX.

Leaflet Revisions

Date Revised	SME	Reason for Revision
See Next Page for Revision History		

Related Drawings

Drawing No.	Title
AAA2500DX	Car Operating Panel, Series 2 w/Emergency Light
AAA718Q	Battery, Electric (Kit, Battery Retrofit)

Related Documents

Document ID	Title
SPL 31-AAA25300T	COP Telephone Kit Assembly
SPL 31-AAA7144CK	Firefighter's Cabinet Assembly
SPL 31-AAA340CV	Fixture—Part, Collar, Keyswitch and Jewel
SPL 32-AAA23851A	Fixture—Part, Keyswitch (Series 5 Fixture)
SPL 31-AAA23851B	Fixture: Jewel Assembly
SPL 31-AAA102VB	Instruction Plates
SPL 31-AAA250Q	Graphic Insert: AAA250Q, AAA250R, and AAA250S
SPL 31-AAA250G	Advanced Fixtures Graphic Inserts
SPL 31-AAA23500F	Keyswitch Assemblies Light Ring & Engraved Collar Version
SPL 32-AAA23500CH	Pushbutton, Luxury Micro-Motion III
SPL 34-AAA23550U	Landing Fixture—In-Car Lantern Assembly
SPL 31-AAA174ABH	Wiring Harness—Series 2, 4, 5, & 6 COPs (Traction Systems)
SPL 31-AAA174AJB	Wiring Harness—Series 2, 4, 5, & 6 COPs (RSL Use)
TIP 20.2-5	<i>COP Emergency Light Battery and Bracket Retrofit Kit Installation</i>

Subject Matter Expert

Name	Department
Paul Anthony	OSC Service Engineering

About Spare Parts Leaflets...

This document lists the lowest replaceable units (LRUs) for the standard version of the product. The LRUs are chosen by a team of Otis associates representing engineering and manufacturing.

While goal of this document is to make parts identification as easy as possible, the document cannot be all-inclusive. Elevator and escalator contracts classified as “special” or “custom” are not addressed here. For such contracts, please refer to specified information, the contract folder, TIPs, Field Education Articles, Construction Letters, etc. for further information.

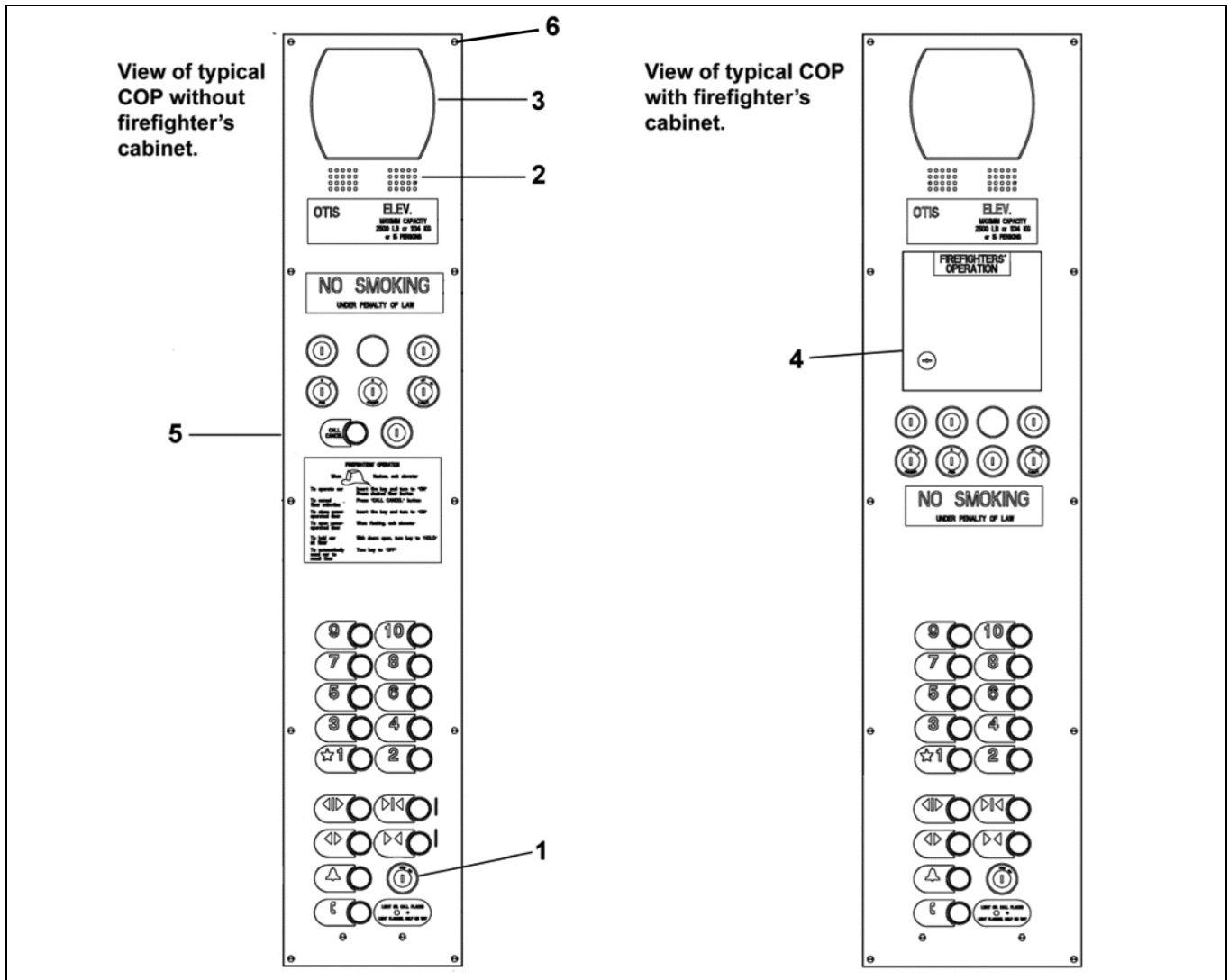
If you have any suggestions about this document, please contact the subject matter expert listed on this page.

History (continued)

31-AAA2500DX

Leaflet Revisions

Date Revised	SME	Reason for Revision
November 6, 2007	Joseph Zych	New SPL
March 5, 2008	Joseph Zych	Corrected part number in ref. 5 on p. 7
March 31, 2009	Joseph Zych	Replaced Micro-Motion III Luxury Buttons types AAA23500AK, AAA23500BY, and AAA23500CC with new type AAA23500CH on p. 4; Added fire cabinet doors on p. 10
May 18, 2011	Joseph Zych	Updated ADA phone information on p. 7, added bracket in ref. 1 on p. 14
August 22, 2012	Joseph Zych	Added voltage information in ref. 1 on p. 6
September 12, 2012	Joseph Zych	Corrected callout 6 on p. 3
October 12, 2022	Paul Anthony	Added p/n AAA27076JN2 and a NOTE on p. 15
January 24, 2024	Paul Anthony	Added AAA375BY26 to spare for PCB and added retrofit kit AAA718Q with a note for applications.

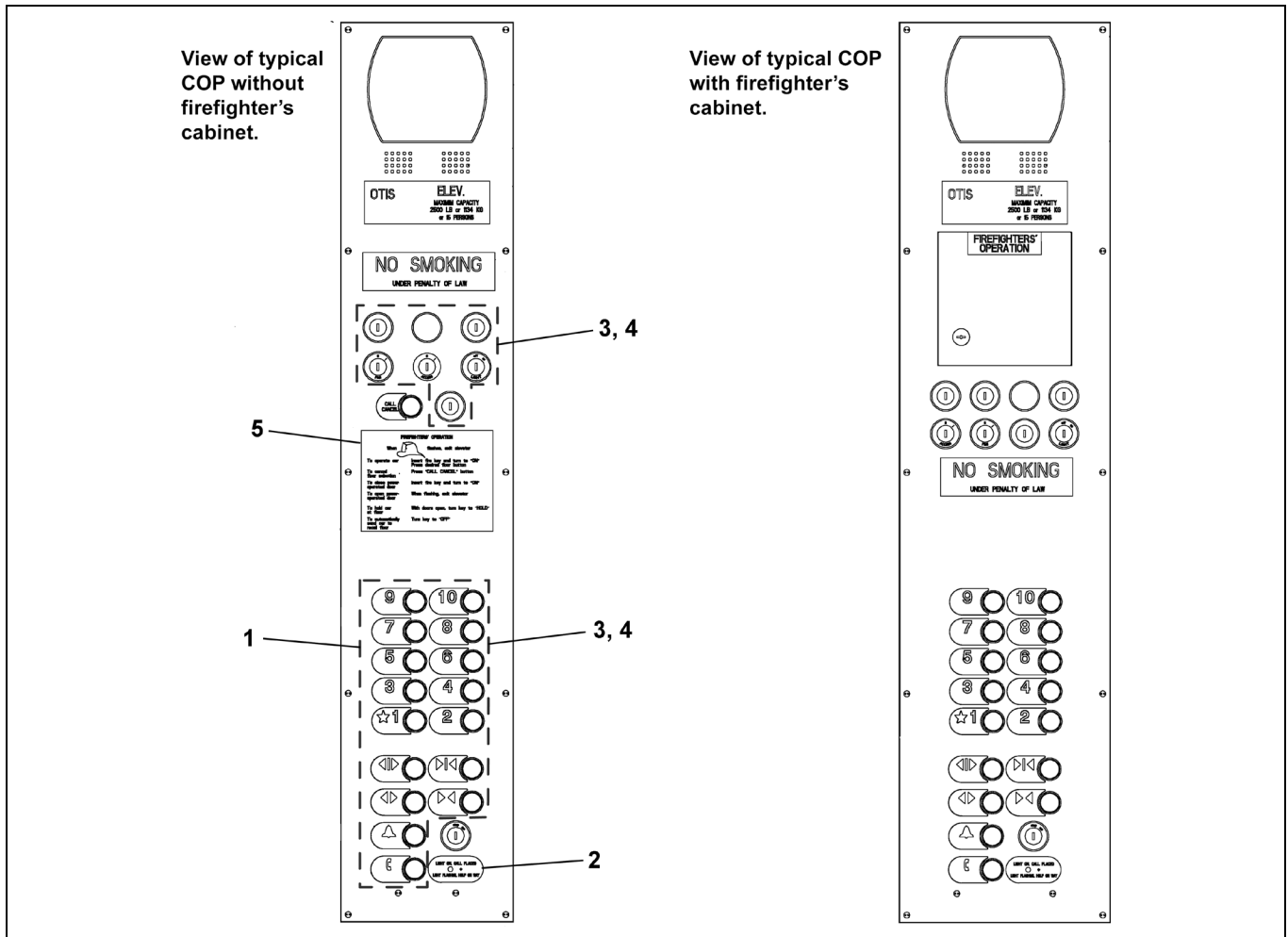


REF. No.	PAGE No.	DESCRIPTION
1	6	Emergency Fixtures
2	7	ADA Phone Assembly
3	8	Display Assembly
---	8	PC Boards
4	9-10	Firefighter's Cabinet
---	11	Lantern Assembly, In-Car
5	12-13	Faceplate
6	14	Screws, Tamper-Resistant
---	15	Power Supply
---	16	Terminal Panel

Continued on Next Page

Table of Contents

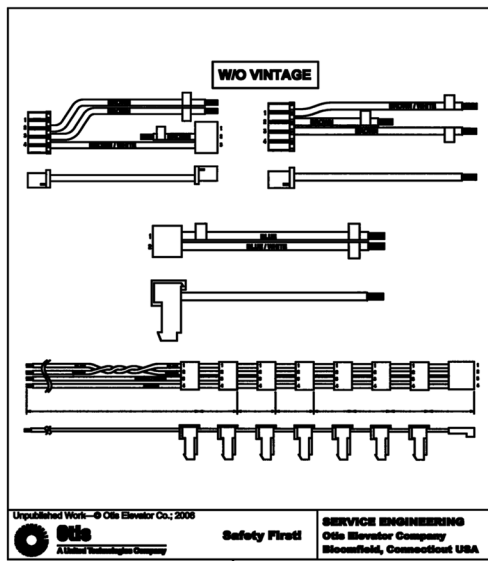
31-AAA2500DX



REF. No.	DESCRIPTION	
---	Braille Plate, Type AAA250R (not shown)	See SPL 31-AAA250Q for Details
1	Graphic Plate, Type AAA250Q	
2	Graphic Plate, Type AAA250S	
3	Buttons, Micromotion III, Luxury, Type AAA23500AK	
	Buttons, Micromotion III, Luxury, Type AAA23500BY	
	Buttons, Micromotion III, Luxury, Type AAA23500CC	
	Buttons, Micromotion III, Luxury, Type AAA23500CH, See SPL 32-AAA23500CH	
	Buttons, Micromotion III, Vandal Resistant, Amber LED, Type AAA23500AM, See SPL 31-AAA23500AK	
	Button, Micromotion III, Vandal Resistant, 40 mm L, Type AAA23500BZ, See SPL 31-AAA23500AK	
	Jewel Assembly, Type AAA23851B, See SPL 31-AAA23851B	
	Keyswitch Assembly, Type AAA23851A, See SPL 32-AAA23851A	
Keyswitch Assembly, Type ABA23500W, See SPL 32-AAA23500F		
4	Collars, Keyswitch, Type AAA340CV, See SPL 31-AAA340CV	
5	Plate, Instruction, Type AAA102VB, See SPL 31-AAA102VB	

**Wiring Harness -
Series 2, 4, 5, & 6 COPs
(Traction Systems)**

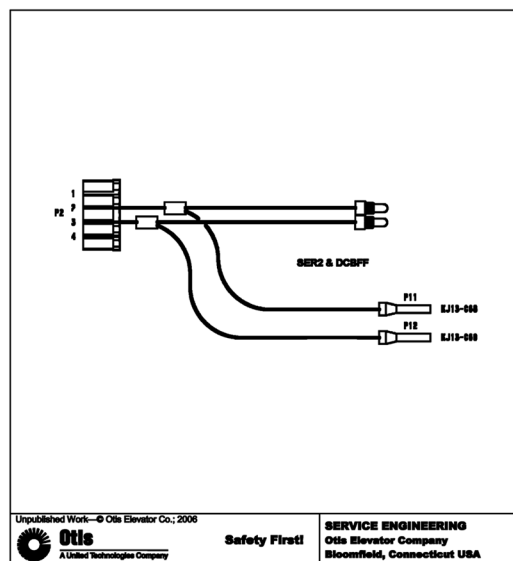
**Spare Parts Leaflet
31-AAA174ABH
June 10, 2006 / Page 1 of 9**



1

**Wiring Harness
Series 2, 4, 5, & 6 COPs
(RSL Use)**

**Spare Parts Leaflet
31-AAA174AJB
July 31, 2006 / Page 1 of 12**

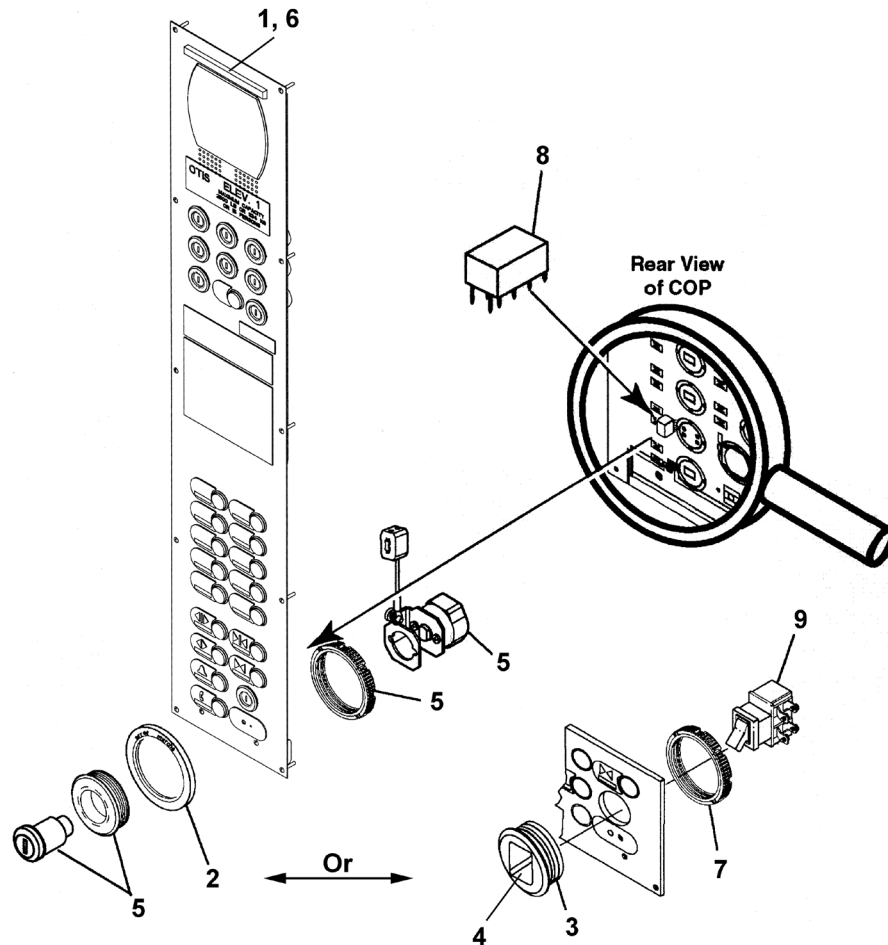


2

REF. No.	PAGE No.	DESCRIPTION
1	---	Wiring Harness, Series 2, 4, 5, and 6 COPs (Traction Systems), See SPL 31-AAA174ABH
2	---	Wiring Harness, Series 2, 4, 5, and 6 COPs (RSL Use), See SPL 31-AAA174AJB

Emergency Stop Devices and Light

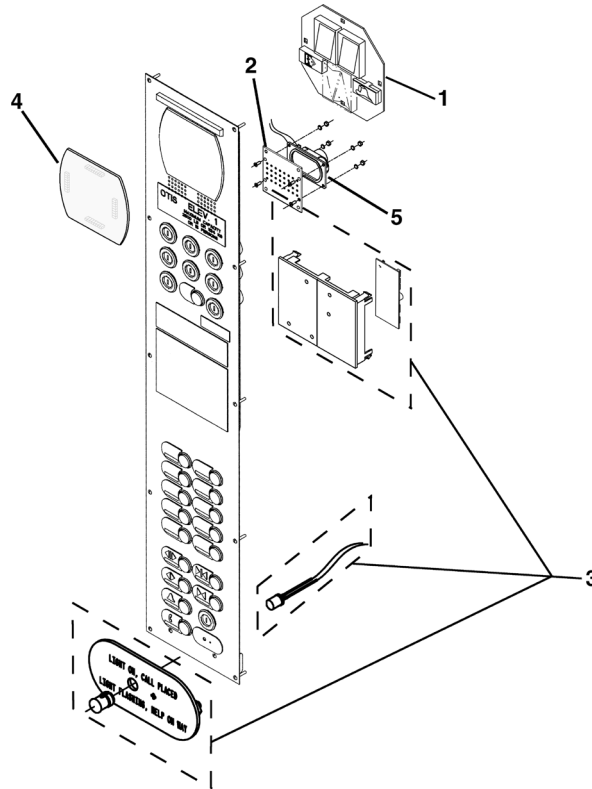
31-AAA2500DX



AAA2500DX			
REF. No.	PART No.	DESCRIPTION	
1	AAA26800ANS1	Assembly, PCB, Emergency Light, 6 Volts	
2	AAA340CV28	Collar (for Run/Stop keyswitch), French, Ref. 5, See SPL 31-AAA340CV	
	---	Housing, Type AAA396PJ, Bilingual, Ref. 5, See SPL 32-AAA23851A	
3	MAA396W1	Housing (for Run/Stop toggle switch)	
4	AAA250G4-STOPTGL	Insert, Graphic, See SPL 31-AAA250G	
5	AAA23851A3	Keyswitch, Run/Stop, English or Bilingual, Ref. 2	See SPL 32-AAA23851A
	AAA23851A4	Keyswitch, Run/Stop, French, Ref. 2	
6	AAA443FJ1 AAA443FJ3	Lens, Emergency Light	
7	AAA72JZ1	Nut (for Run/Stop toggle switch)	
8	AAA613DA2	Relay, 6 V (for alarm button)	
9	6073F6	Switch, Toggle, Run/Stop	

31-AAA2500DX

ADA Phone Assembly

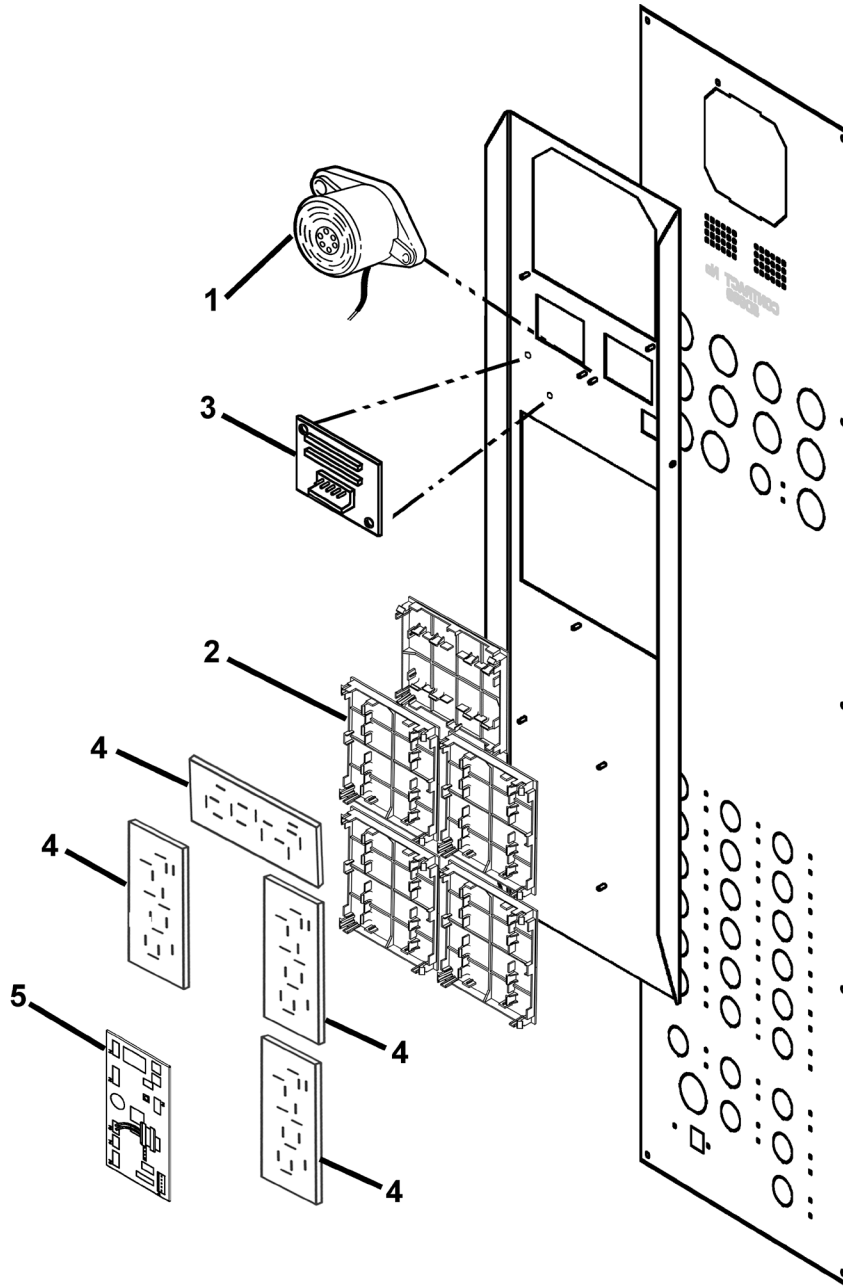


REF. No.	AAA2500DX PART No.	DESCRIPTION	
1	AAA23600X500	Assembly, Small Display (remote serial link + Secondary Car Arrows [SCA])	See SPL 22-AAA23600X
	AAA23600X502	Assembly, Small Display (remote serial link and w/o SCA)	
*	AAA25400BQ1	Assembly, Car Prewiring Battery Cable	
*	AAA718J1	Battery, 9V (W Type AAA25300AM ADA phones)	
2	AAA386LSC2	Bracket (speaker)	
*	AAA365K1	Eyelet, Battery Holder Hardware	
*	AAA718J100	Holder, Battery	
3	AAA25300T9	Kit, ADA Phone, English, Non-Metallic Graphic, w/Emergency Light	See SPL 31-AAA25300T
	AAA25300T10	Kit, ADA Phone, French, Non-Metallic Graphic, w/Emergency Light	
	AAA25300T11	Kit, ADA Phone, French/English, Non-Metallic Graphic, w/Emergency Light	
	AAA25300AM4	Kit, ADA Phone, English, Non-Metallic Graphic, w/Emergency Light	
	AAA25300AM5	Kit, ADA Phone, French, Non-Metallic Graphic, w/Emergency Light	
	AAA25300AM6	Kit, ADA Phone, French/English, Non-Metallic Graphic, w/Emergency Light	
	AAA25300AM7	Kit, ADA Phone, English, Non-Metallic Graphic, w/o Emergency Light	
	AAA25300AM8	Kit, ADA Phone, French, Non-Metallic Graphic, w/o Emergency Light	
	AAA25300AM9	Kit, ADA Phone, French/English, Non-Metallic Graphic, w/o Emergency Light	
4	AAA443EP3	Lens	
*	AAA25400BP1	RSL, Interface	
5	AAA655B6	Speaker, 45 Ohms	

* Parts not shown.

PC Boards

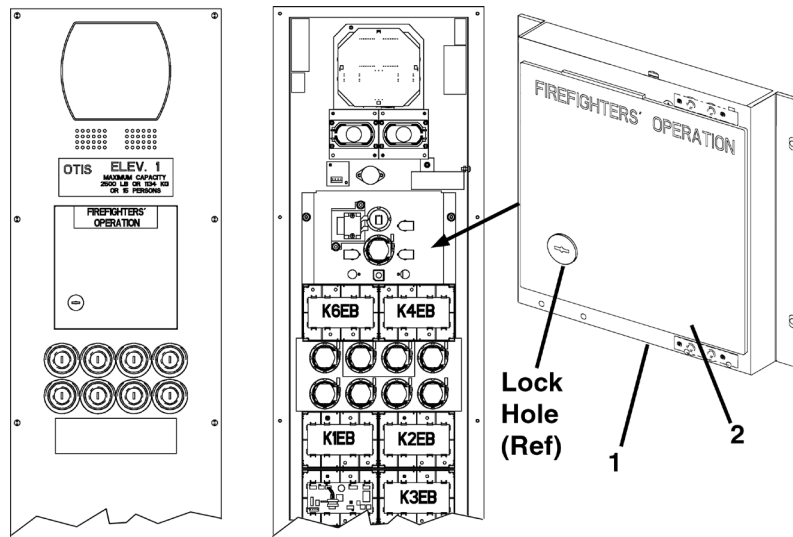
31-AAA2500DX



















AAA2500DX		
REF. No.	PART No.	DESCRIPTION
1	6219F3	Buzzer
2	AAA251EH1	Holder, PC Board (for remote station extender)
3	9693J2	PC Board, Line Terminator (RSL)
4	ABA26800AHE1	PC Board, Remote Station Extender, NRSEB8 (8 I/O)
5	---	PC Board, Telephone, See SPL 31-AAA25300T

31-AAA2500DX

Firefighter's Cabinet

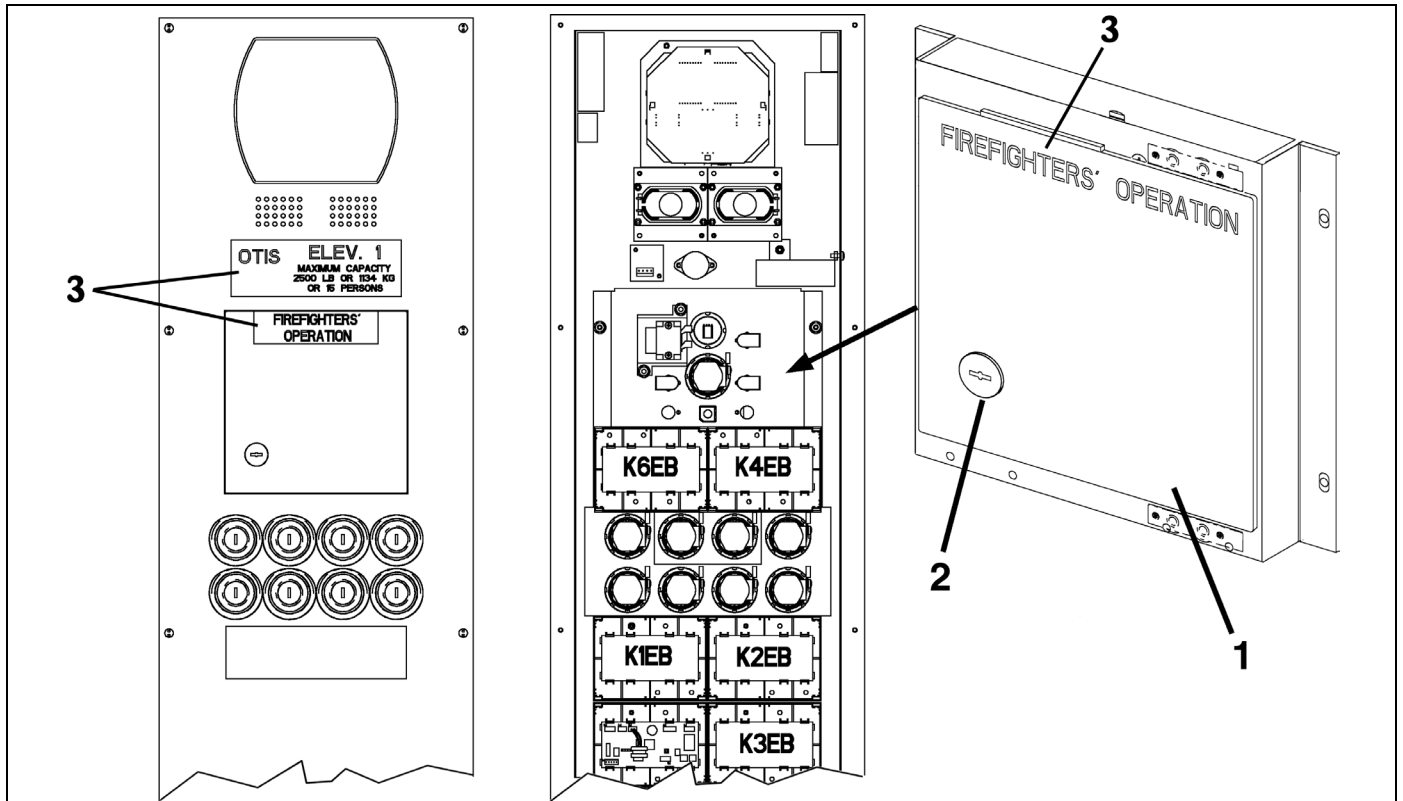


AAA2500DX				
REF. No.	PART No.	DESCRIPTION	Material	Finish
1	---	Assembly, Firefighter's Cabinet, AAA7144CK, See SPL 31-AAA7144CK	---	---
2	AAA406CE16	Door,  , w/o Engraving, w/0.885 in. Lock Hole	Stainless Steel	Mill 4
	AAA406CE17	Door,  , w/o Engraving, w/0.885 in. Lock Hole	Stainless Steel	Mirror
	AAA406CE18	Door,  , w/o Engraving, w/0.885 in. Lock Hole	Brass	Brushed
	AAA406CE19	Door,  , w/o Engraving, w/0.885 in. Lock Hole	Brass	Mirror
	AAA406CE20	Door,  , w/o Engraving, w/0.885 in. Lock Hole	Stainless Steel	Mill 4
	AAA406CE21	Door,  , w/o Engraving, w/0.885 in. Lock Hole	Stainless Steel	Mirror
	AAA406CE22	Door,  , w/o Engraving, w/0.885 in. Lock Hole	Brass	Brushed
	AAA406CE23	Door,  , w/o Engraving, w/0.885 in. Lock Hole	Brass	Mirror
	AAA406CE34	Door,  , w/o Engraving, w/1.18 in. Lock Hole	Stainless Steel	Mill 4
	AAA406CE35	Door,  , w/o Engraving, w/1.18 in. Lock Hole	Stainless Steel	Mirror
	AAA406CE36	Door,  , w/o Engraving, w/1.18 in. Lock Hole	Brass	Brushed
	AAA406CE37	Door,  , w/o Engraving, w/1.18 in. Lock Hole	Brass	Mirror
	AAA406CE38	Door,  , w/o Engraving, w/1.18 in. Lock Hole	Stainless Steel	Mill 4
	AAA406CE39	Door,  , w/o Engraving, w/1.18 in. Lock Hole	Stainless Steel	Mirror
	AAA406CE40	Door,  , w/o Engraving, w/1.18 in. Lock Hole	Brass	Brushed
AAA406CE41	Door,  , w/o Engraving, w/1.18 in. Lock Hole	Brass	Mirror	















(Continued on next page)

Firefighter's Cabinet

31-AAA2500DX

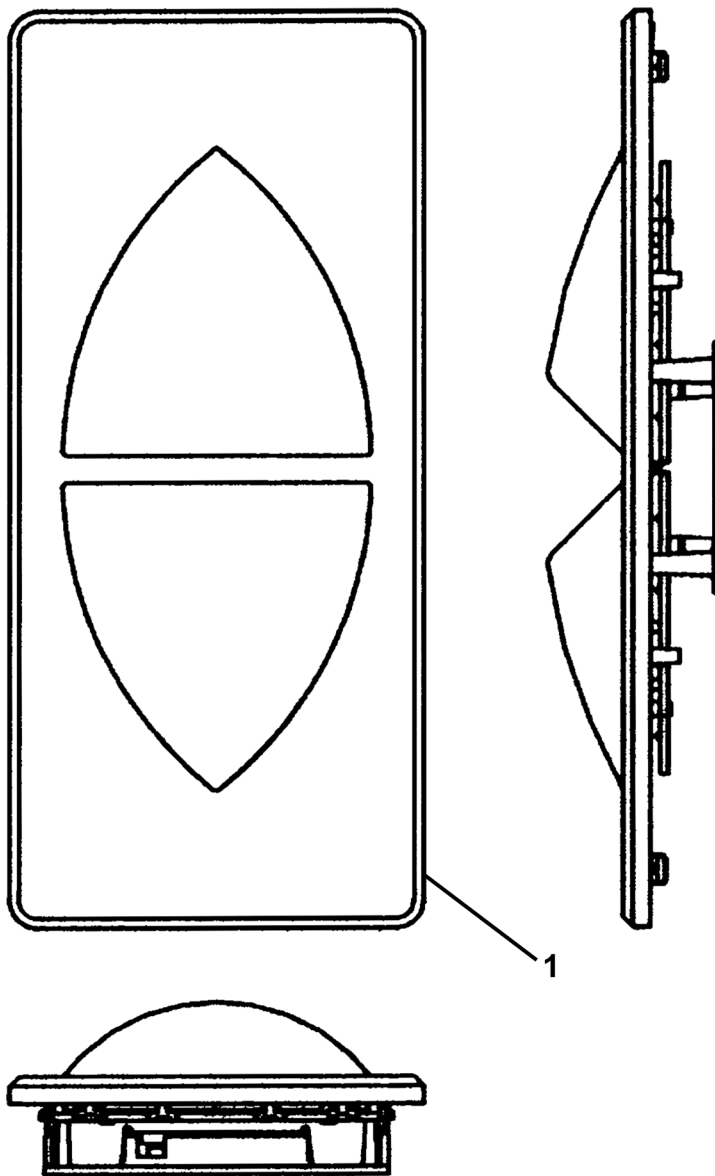


ALL VINTAGES

REF. No.	PART No.	DESCRIPTION	Material	Finish
1	AAA406CE52	Door,  , w/o Engraving, w/ 1.010 in. Lock Hole	Stainless Steel	Mill 4
	AAA406CE53	Door,  , w/o Engraving, w/ 1.010 in. Lock Hole	Stainless Steel	Mirror
	AAA406CE54	Door,  , w/o Engraving, w/ 1.010 in. Lock Hole	Brass	Brushed
	AAA406CE55	Door,  , w/o Engraving, w/ 1.010 in. Lock Hole	Brass	Mirror
	AAA406CE56	Door,  , w/o Engraving, w/ 1.010 in. Lock Hole	Stainless Steel	Mill 4
	AAA406CE57	Door,  , w/o Engraving, w/ 1.010 in. Lock Hole	Stainless Steel	Mirror
	AAA406CE58	Door,  , w/o Engraving, w/ 1.010 in. Lock Hole	Brass	Brushed
	AAA406CE59	Door,  , w/o Engraving, w/ 1.010 in. Lock Hole	Brass	Mirror
	AAA406CE63	Door,  , w/o Engraving, w/ 0.885 in. Lock Hole	Ferretic Steel	Mill 4
	AAA406CE64	Door,  , w/o Engraving, w/ 0.885 in. Lock Hole	Ferretic Steel	Mill 4
	AAA406CE67	Door,  , w/o Engraving, w/ 1.140 in. Lock Hole	Ferretic Steel	Mill 4
	AAA406CE68	Door,  , w/o Engraving, w/ 1.140 in. Lock Hole	Ferretic Steel	Mill 4
	AAA406CE71	Door,  , w/o Engraving, w/ 1.010 in. Lock Hole	Ferretic Steel	Mill 4
	AAA406CE72	Door,  , w/o Engraving, w/ 1.010 in. Lock Hole	Ferretic Steel	Mill 4
2	---	Lock, Fire Panel, Type AAA431AQ, See SPL 31-AAA431AQ		
3	---	Plate, Instruction, Type AAA102VB, See SPL 31-AAA102VB		

31-AAA2500DX

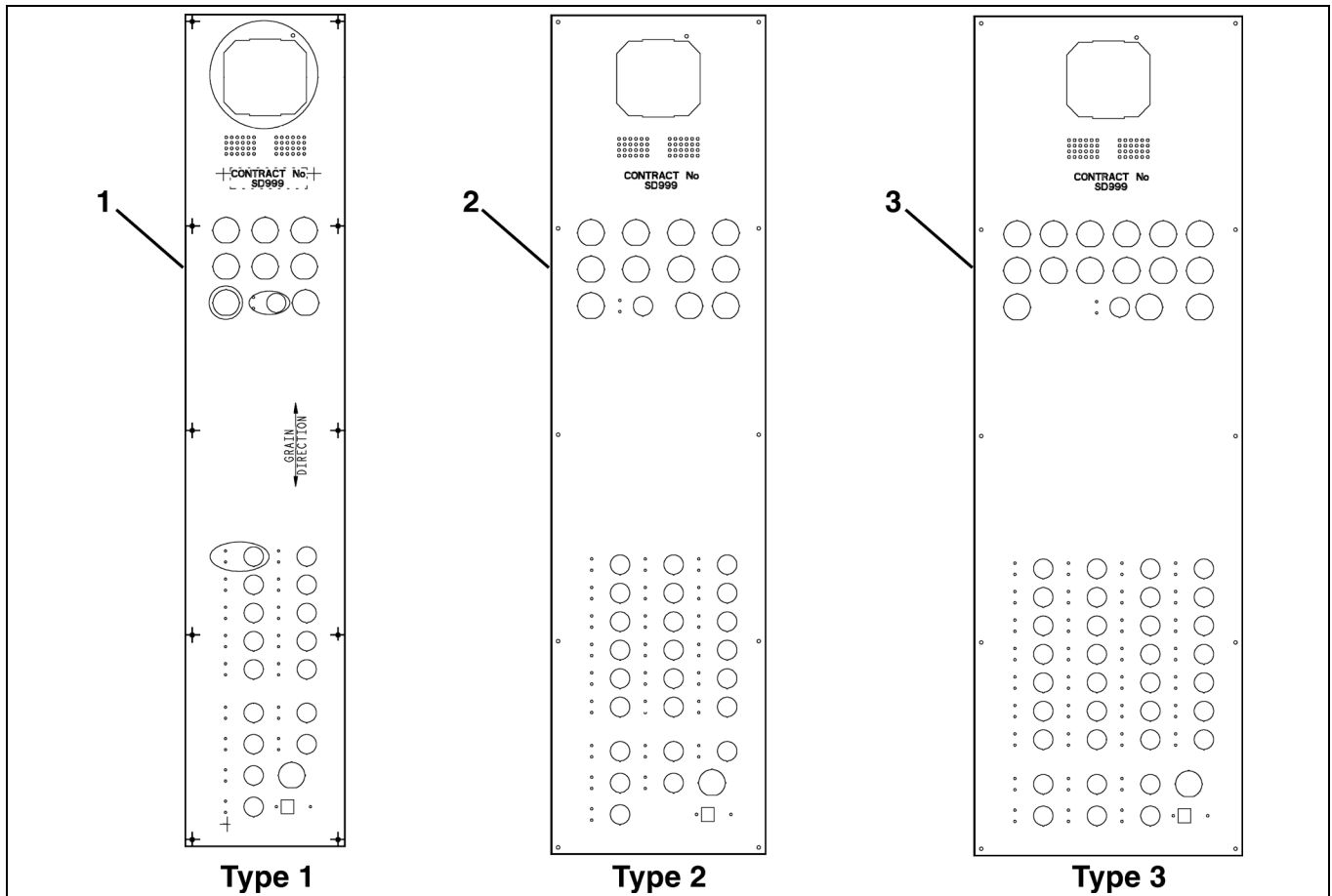
In-Car Lantern



REF. No.	PART No.	DESCRIPTION
1	AAA2500DX ---	Assembly, Lantern, In-Car, Type AAA23550U, See SPL 34-AAA23550U

Faceplate, Series II COP

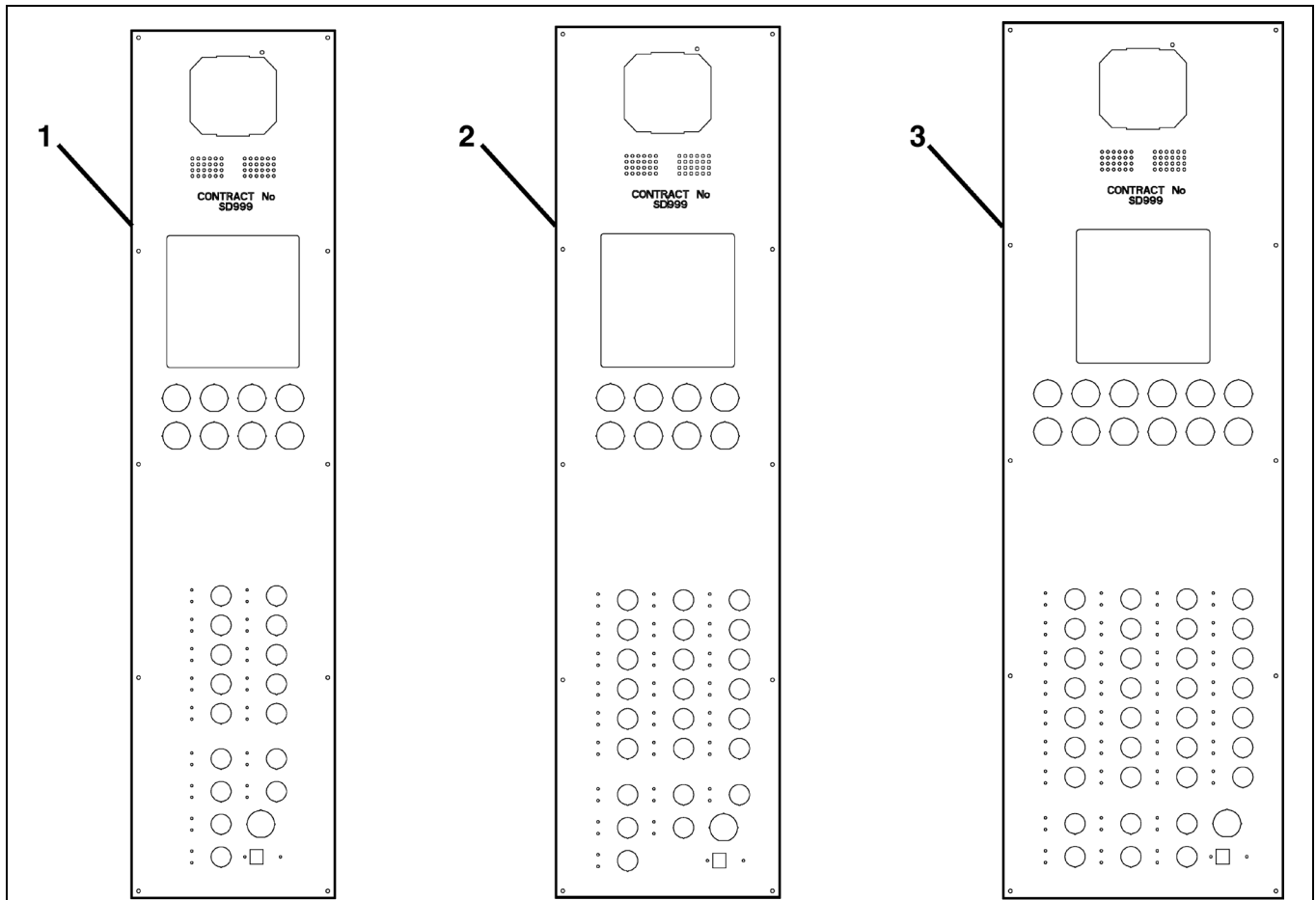
31-AAA25000DX



AAA25000DX		
REF. No.	PART No.	DESCRIPTION
1	ABA147SD999-MF4-1	Faceplate, 2-Row w/o Firefighter's Cabinet, Stainless Steel Brushed Finish
	ABA147SD999-SS8-1	Faceplate, 2-Row w/o Firefighter's Cabinet, Stainless Steel Mirror Finish
	ABA147SD999-BR7-1	Faceplate, 2-Row w/o Firefighter's Cabinet, Brass Brushed Finish
	ABA147SD999-BR8-1	Faceplate, 2-Row w/o Firefighter's Cabinet, Brass Mirror Finish
2	ABA147SD999-MF4-2	Faceplate, 3-Row w/o Firefighter's Cabinet, Stainless Steel Brushed Finish
	ABA147SD999-SS8-2	Faceplate, 3-Row w/o Firefighter's Cabinet, Stainless Steel Mirror Finish
	ABA147SD999-BR7-2	Faceplate, 3-Row w/o Firefighter's Cabinet, Brass Brushed Finish
	ABA147SD999-BR8-2	Faceplate, 3-Row w/o Firefighter's Cabinet, Brass Mirror Finish
3	ABA147SD999-MF4-3	Faceplate, 4-Row w/o Firefighter's Cabinet, Stainless Steel Brushed Finish
	ABA147SD999-SS8-3	Faceplate, 4-Row w/o Firefighter's Cabinet, Stainless Steel Mirror Finish
	ABA147SD999-BR7-3	Faceplate, 4-Row w/o Firefighter's Cabinet, Brass Brushed Finish
	ABA147SD999-BR8-3	Faceplate, 4-Row w/o Firefighter's Cabinet, Brass Mirror Finish

(Continued on next page)

Faceplate, Series II COP



Type 4

Type 5

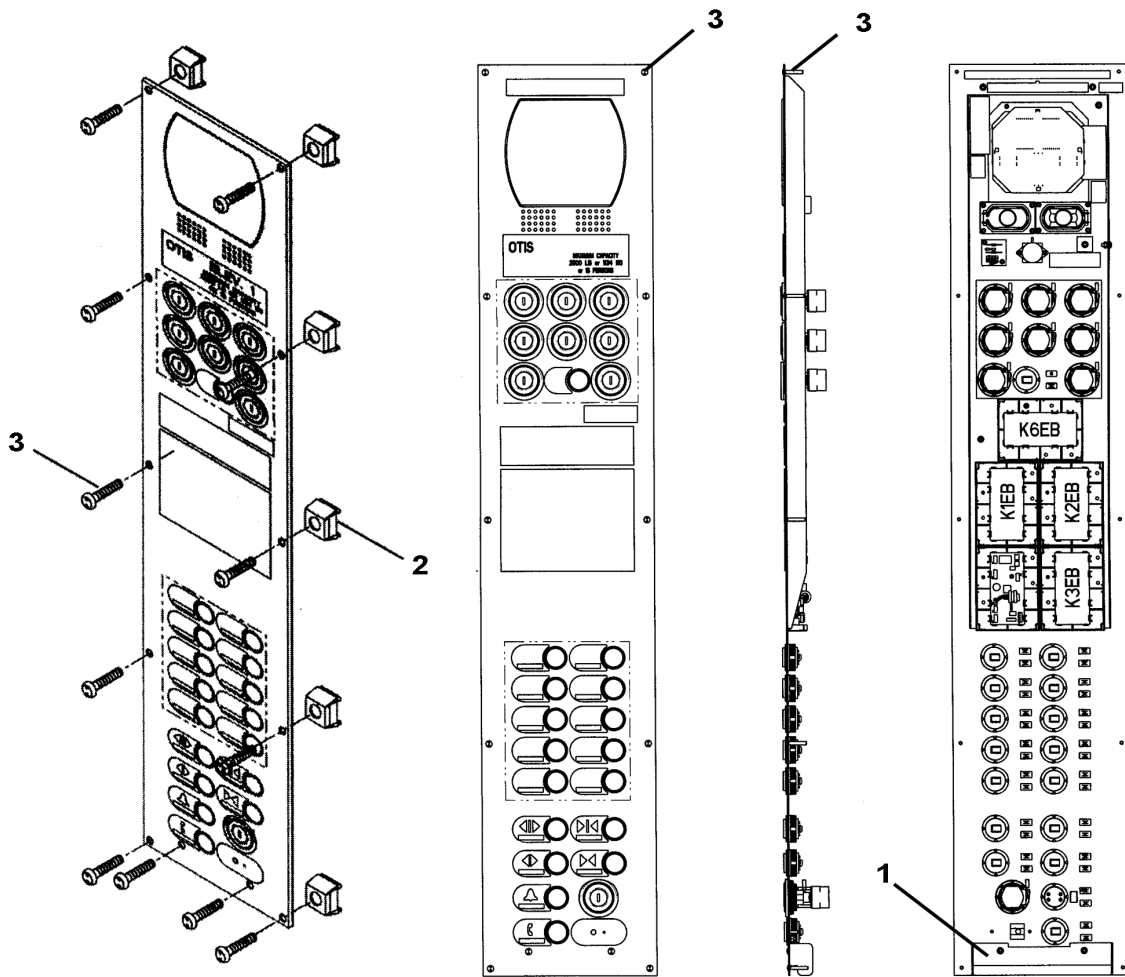
Type 6

AAA2500DX

REF. No.	PART No.	DESCRIPTION
1	ABA147SD999-MF4-4	Faceplate, 2-Row with Firefighter's Cabinet, Stainless Steel Brushed Finish
	ABA147SD999-SS8-4	Faceplate, 2-Row with Firefighter's Cabinet, Stainless Steel Mirror Finish
	ABA147SD999-BR7-4	Faceplate, 2-Row with Firefighter's Cabinet, Brass Brushed Finish
	ABA147SD999-BR8-4	Faceplate, 2-Row with Firefighter's Cabinet, Brass Mirror Finish
2	ABA147SD999-MF4-5	Faceplate, 3-Row w/o Firefighter's Cabinet, Stainless Steel Brushed Finish
	ABA147SD999-SS8-5	Faceplate, 3-Row w/o Firefighter's Cabinet, Stainless Steel Mirror Finish
	ABA147SD999-BR7-5	Faceplate, 3-Row w/o Firefighter's Cabinet, Brass Brushed Finish
	ABA147SD999-BR8-5	Faceplate, 3-Row w/o Firefighter's Cabinet, Brass Mirror Finish
3	ABA147SD999-MF4-6	Faceplate, 4-Row with Firefighter's Cabinet, Stainless Steel Brushed Finish
	ABA147SD999-SS8-6	Faceplate, 4-Row with Firefighter's Cabinet, Stainless Steel Mirror Finish
	ABA147SD999-BR7-6	Faceplate, 4-Row with Firefighter's Cabinet, Brass Brushed Finish
	ABA147SD999-BR8-6	Faceplate, 4-Row with Firefighter's Cabinet, Brass Mirror Finish

Faceplate Screws

31-AAA2500DX

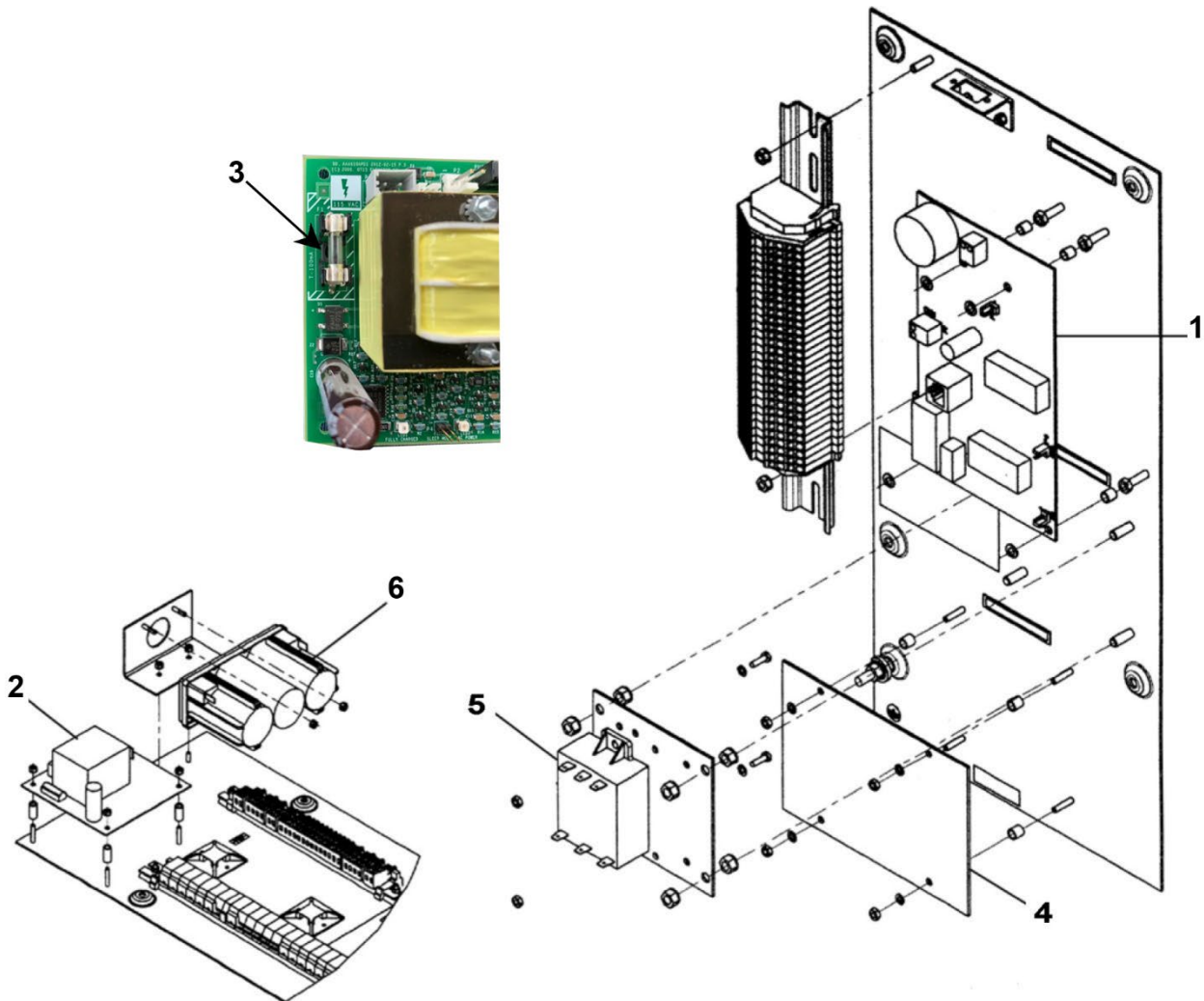


TYPE 1 SHOWN

AAA2500DX			
REF. No.	PART No.	DESCRIPTION	
1	ABA316HCD1	Bracket, Retainer	A = 182.6 in., B = 49.4 in.
	ABA316HCD2	Bracket, Retainer	A = 258.8 in., B = 87.5 in.
	ABA316HCD3	Bracket, Retainer	A = 258.8 in., B = 49.4 in.
	ABA316HCD4	Bracket, Retainer	A = 335 in., B = 125.6 in.
	ABA316HCD5	Bracket, Retainer	A = 335 in., B = 87.5 in.
	ABA316HCD6	Bracket, Retainer	A = 335 in., B = 49.4 in.
	ABA316HCD7	Bracket, Retainer	A = 233.4 in., B = 74.8 in.
2	72DJ21	Nut, Grip, M4 Screw Size	
3	AAA124HE5	Screw, Tamper-Resistant, M4 x 20 mm, Brushed Stainless	
	AAA124HE6	Screw, Tamper-Resistant, M4 x 20 mm, Brushed Brass	
	AAA124HE7	Screw, Tamper-Resistant, M4 x 20 mm, Mirror Stainless	
	AAA124HE8	Screw, Tamper-Resistant, M4 x 20 mm, Mirror Brass	

31-AAA2500DX

COP Power Supply



REF. No.	AAA2500DX PART No.	DESCRIPTION
1	AAA25300P1	Board, COP Phone
2	AAA26800APD1	Charger, PCB Battery
3	AAA375BY26	Fuse, GMA-100 mA for Emergency Light/Alarm Bell Board
4	ACA26800ACW1	PC Board, Speech
5	AAA621AN9 AAA27076JN2	Power Supply, See NOTE
6	AAA718E16 AAA718Q2	Retrofit Kit, Battery 6 V, 2.75 AH, See NOTE

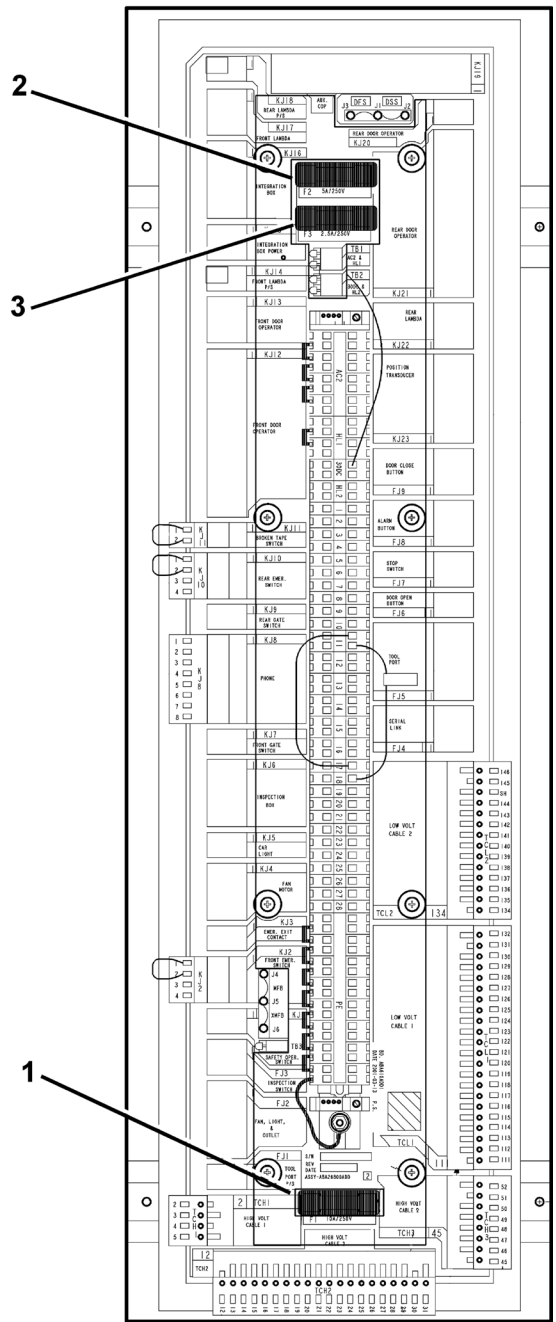
NOTE: AAA27076JN2 is a retrofit kit. For more information, see TIP 20.2-3, AAA621AN9 and AAA621AN43 Power Supply Replacement Information.

NOTE: AAA718Q2 is a retrofit kit. For more information, see TIP 20.2-5, COP Emergency Light Battery and Bracket Retrofit Kit Installation Information.

COP Terminal Panel

31-AAA2500DX

Terminal Assembly
for Gen2 R2 Shown.
Other systems similar.



REF. No.	PART No.	DESCRIPTION
1	AAA375CJ4	Fuse, Slow-Blow, 10 A, 500 VAC (F1)
2	AAA375BR11	Fuse, Slow-Blow, 2.5 A, 500 VAC (F3)
3	AAA375CJ3	Fuse, Slow-Blow, 5 A, 500 VAC (F2)