

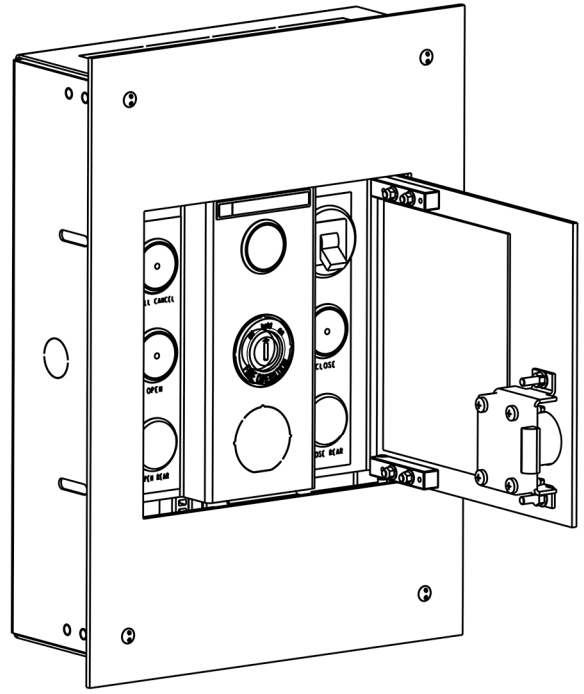
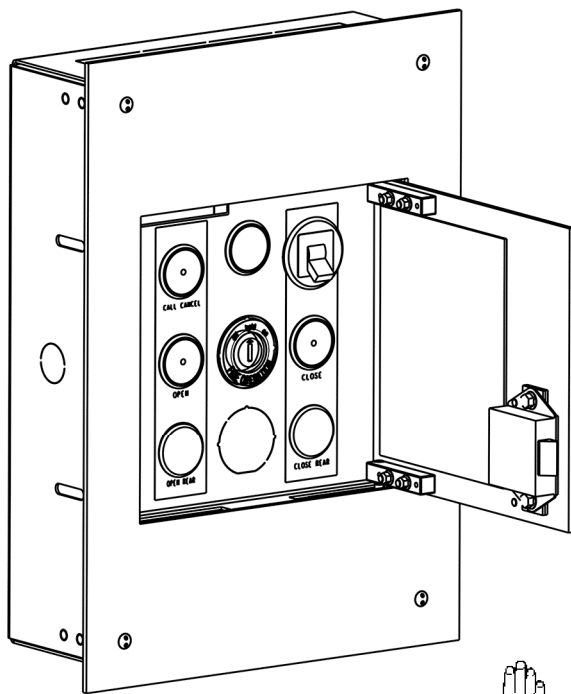
**Firefighter's Car  
Operating Panel Cabinet  
(Standalone)**

**Spare Parts Leaflet  
31-AAA2500DZ**

October 1, 2014 / Page 1 of 5

31 A - AAA2500DZ

31 A - AAB2500DZ



Shown

**OTIS**

**SERVICE ENGINEERING  
Otis Elevator Company  
Bloomfield, Connecticut USA**

Unpublished Work—© Otis Elevator Co.; 2014

**Leaflet Description**

This leaflet provides spare parts information for type AAA2500DZ standalone firefighter's cabinet. It is used to update type LRV and LRVS COPs to 2004 Fire Service Code.

**Leaflet Revisions**

<b>Date Revised</b>	<b>Subject Matter Expert</b>	<b>Reason for Revision</b>
November 27, 2007	Joseph D. Zych	New leaflet
October 1, 2014	Joseph D. Zych	Added AAB2500DZ Vintage

**Related Drawings**

<b>Drawing</b>	<b>Title</b>	<b>Drawing</b>	<b>Title</b>
AAA2500DZ	Car Operating Cabinet, Firefighter's Standalone	AAB2500DZ	Car Operating Cabinet, Firefighter's Standalone
---	---	---	---

**Related Documents**

<b>Document ID</b>	<b>Title</b>
31-AAA23500F	Keyswitch Assemblies Light Ring & Engraved Collar Version

**Subject Matter Expert**

<b>Name</b>	<b>Department</b>
Joseph D. Zych	OSC Service Engineering

**About Spare Parts Leaflets...**

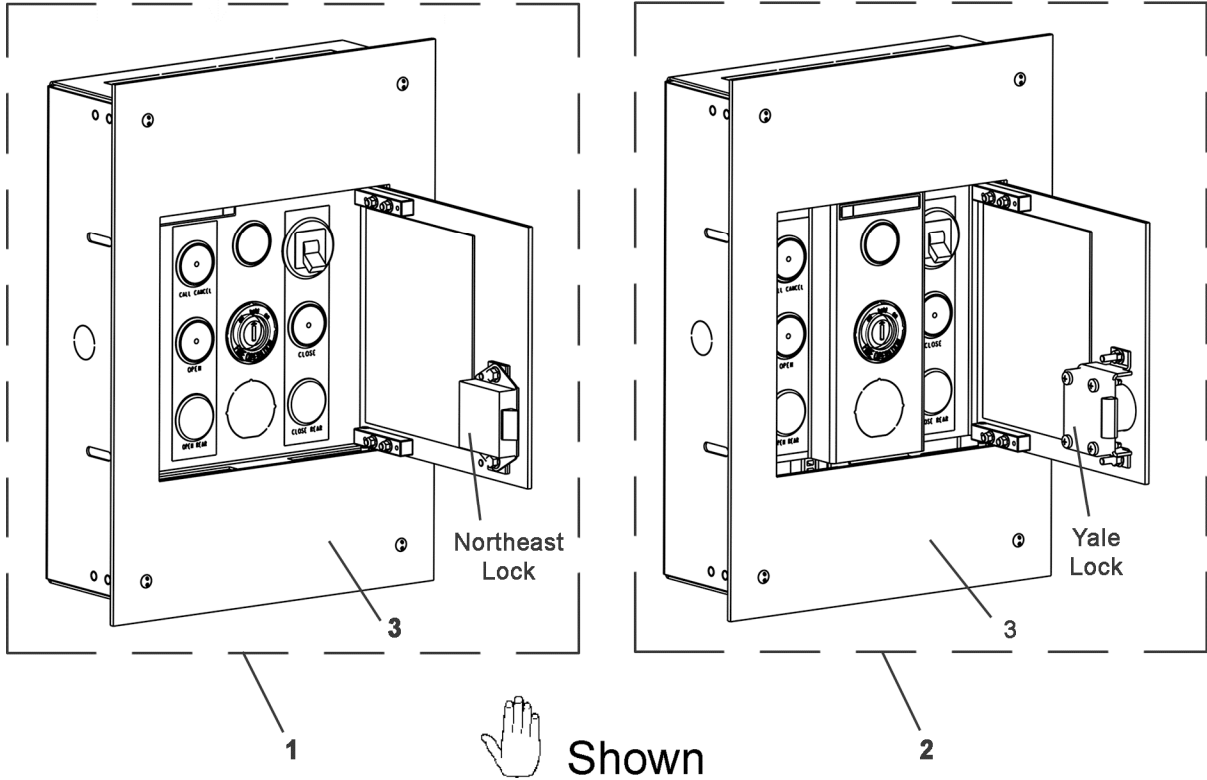
This document lists the lowest replaceable units (LRUs) for the standard version of the product. The LRUs are chosen by a team of Otis associates representing engineering and manufacturing.

While goal of this document is to make parts identification as easy as possible, the document cannot be all-inclusive. Elevator and escalator contracts classified as "special" or "custom" are not addressed here. For such contracts, please refer to specified information, the contract folder, TIPs, Field Education Articles, Construction Letters, etc. for further information.

If you have any suggestions about this document, please contact the subject matter expert listed on this page.

# COP Firefighter's Cabinet (standalone)

**31-AAA2500DZ**



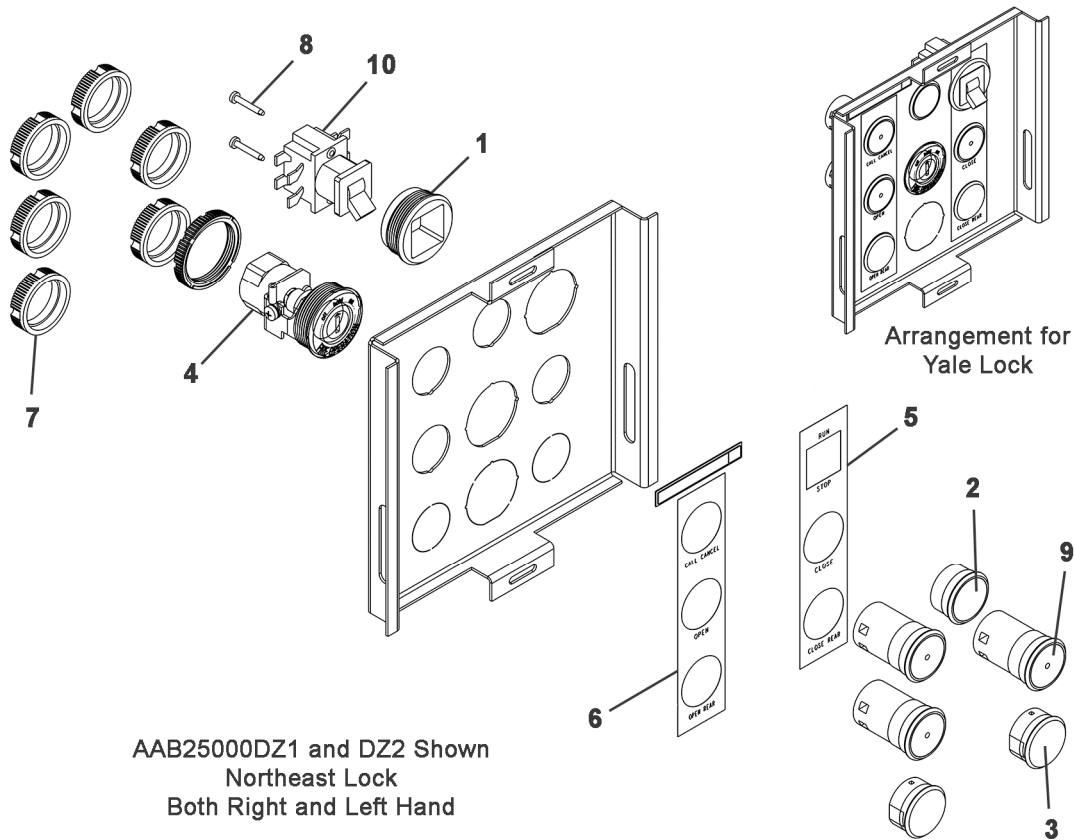
**NOTE:** Complete cabinet available to order. Specify fire service keyswitches separately.

	AAA2500DZ	AAB2500DZ	
REF. No.	PART No.		DESCRIPTION
1*	AAA2500DZ1	AAB2500DZ1	Cabinet, Firefighter's, COP,   Northeast Lock (UTF, FEO-K1, Florida State Zone, WD01, SC1000, AZFS)
	AAA2500DZ2	AAB2500DZ2	Cabinet, Firefighter's, COP,   Northeast Lock (UTF, FEO-K1, Florida State Zone, WD01, SC1000, AZFS)
2*	AAA2500DZ3	AAB2500DZ3	Cabinet, Firefighter's, COP,   Yale Lock (3502 only)
	AAA2500DZ4	AAB2500DZ4	Cabinet, Firefighter's, COP,   Yale Lock (3502 only)
3	AAA147SL1-SS4	AAA147SL2-SS4	Plate, Face

\* Cabinet available in SS4 finish only.

# 31-AAA2500DZ

## Firefighter's Cabinet Replacement Parts



AAB2500DZ1 and DZ2 Shown  
Northeast Lock  
Both Right and Left Hand

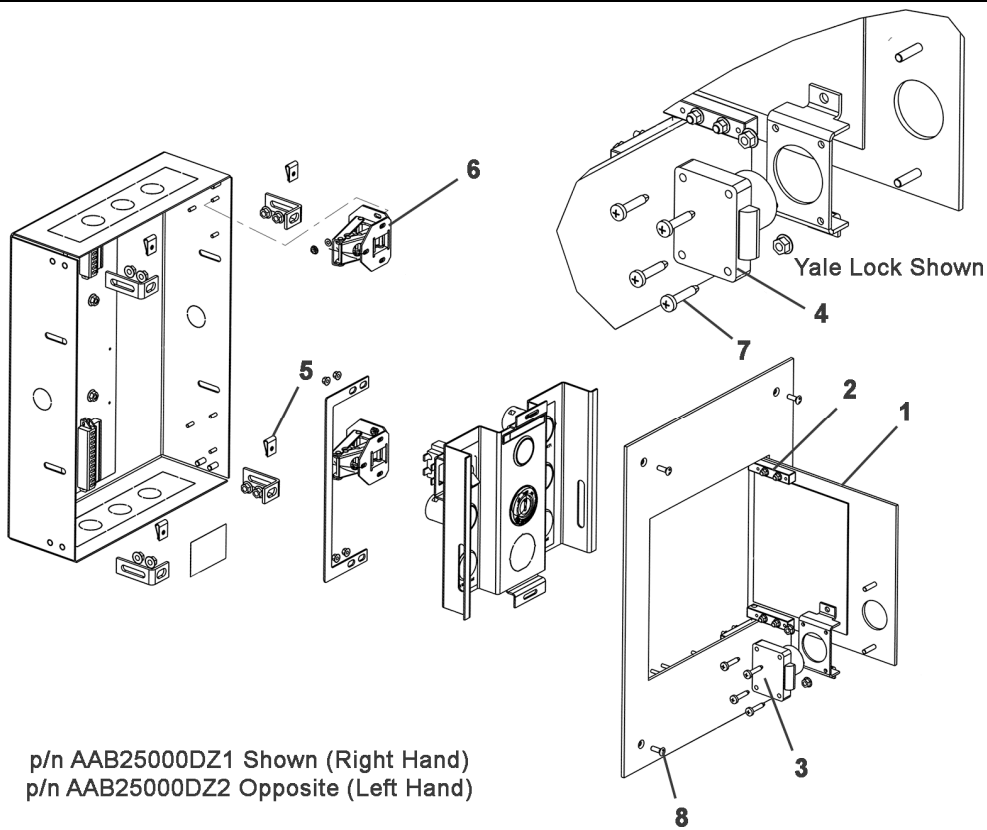
**NOTE:** Locks must be ordered separately for each state's required code.

	AAA2500DZ	AAB2500DZ	
REF. No.	PART No.		DESCRIPTION
1	---	MAA396W1	Housing, Toggle Switch
2	AAA23500AL21		Jewel, Fire Hat, 20–35 VDC
3	AAA23500AL72		Jewel, Blank
*	Type ABA23500G	---	Keyswitch, SES, Phase II,  SPL 31-AAA23500F
	Type ABA23500W	---	Keyswitch, SES, Phase II,  SPL 31-AAA23500F
	Type ABA23500AD	---	Keyswitch, SES, Phase II,  SPL 31-AAA23500F
4	---	Type AAA23851A	Keyswitch, SES, Phase II,  SPL 32-AAA23851A
5	AAA102ANE4		Label, Run/Stop, Close, Close Rear
6	AAA102ANE5		Label, Call Cancel, Open, Open Rear
*	AAA102ANE6	---	Label, Fire Operation,  ABA23500W Keyswitches
7	FAA72N1		Nut, Fixing
8	DIN7500CM3X20-Z-Z		Screw, Cross-Recessed Pan Head Thread Rolling, M3 x 20 (Run Stop Switch)
*	AAA462JS2	---	Spacer, Keyswitch Adapter
9	AAA23500BZ8		Switch, Pushbutton, Vandal-Resistant
10	6073F1		Switch, Run – Stop, Emergency

\* Part Not Shown

# Firefighter's Cabinet Replacement Parts

**31-AAA2500DZ**



**NOTE:** Panel lock for Northeast type AAA431AQ must be ordered separately for each state's required code.

	AAA2500DZ	AAB2500DZ			
REF. No.	PART No.		DESCRIPTION	LOCK	HAND
1	AAA406CF1-SS4		Assembly, Door	Northeast	
	AAA406CF2-SS4				
	AAA406CF3-SS4			Yale Lock	
	AAA406CF4-SS4				
2	310LW1	AAA310SX5	Block, Hinge		
	310LW2	AAA310SX6	Block, Hinge, with 81BD4 Pin		
3	---		Lock, Fire Panel, Northeast, Type AAA431AQ		
4	AAA431AQ4		Lock, Fire Panel, Yale 3502	For  Hinge	
	AAA431AQ5			For  Hinge	
5	72BX18		Nut, Speed		
6	AAA391CW1		Plate, Hinge, Selby		
7	DIN7500CM4X20-Z-Z		Screw, Cross-Recessed Pan Head Thread Rolling, M4 x 20 (Yale Lock)		
8	124DK29		Screw, Faceplate		