

**Applied
Car Operating Panel
w/ Emergency Light**

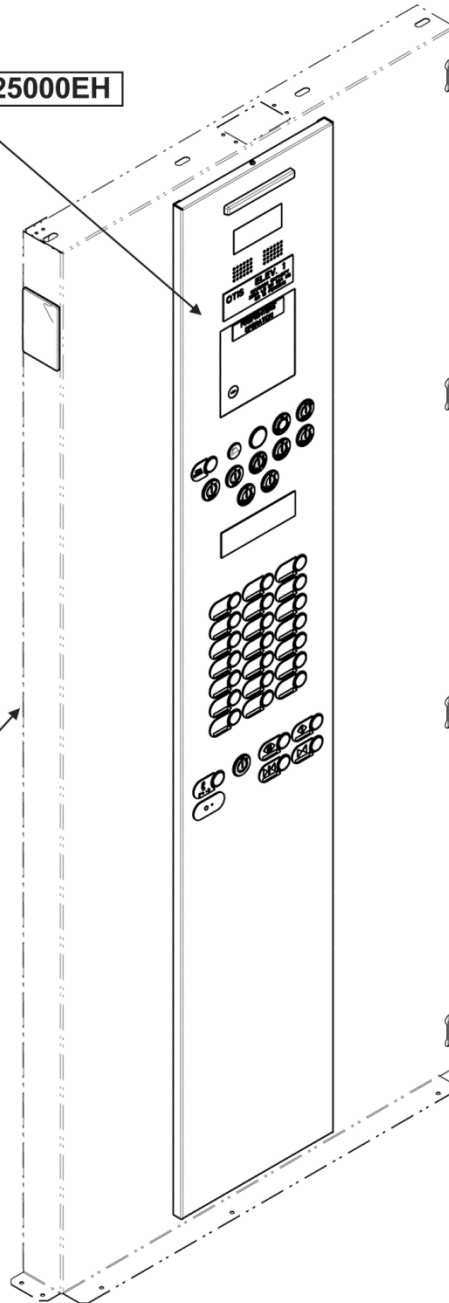
Spare Parts Leaflet

31-AAA25000EH

June 26, 2024 / Page 1 of 17

31 H - AAA25000EH

Return
Panel



OTIS

This document does not contain any
technical data subject to EAR or ITAR

SERVICE ENGINEERING
Otis Elevator Company
Bloomfield, Connecticut USA

Unpublished Work—© Otis Elevator Co.; 2024

History

31-AAA25000EH

Leaflet Description

This leaflet provides spare parts information for the AAA25000EH car operating panel. This COP includes: Fixtures for both OAD and Voice, Text, and Video applications as well as A17.1 2019 / IBC2018 compliant COPs. A17.1 2019 and IBC2018 are interchangeable terms for this COP.

Leaflet Revisions

Date Revised	SME	Reason for Revision
See Next Page for Revision History		

Related Drawings

Drawing No.	Title	Drawing No.	Title
AAA25000EH	COP, Basic Series	AAA25000EK	Terminal Panel, Car Operating Panel
AAA25400BS	Cable Electrical COP Prewiring	AAA25400EF	Car Prewiring COP
AAA718Q	Battery, Electric (Kit, Battery Retrofit)		

Related Documents

Document ID	Title
SPL 31-AAA7144CK	Firefighter's Cabinet Assembly
SPL 31-AAA317Q	Firefighter's Cabinet Assembly
SPL 31-AAA23851B	Fixture: Jewel Assembly
SPL 31-AAA340CV	Fixture—Part, Collar, Keyswitch and Jewel
SPL 32-AAA23851A	Fixture—Part, Keyswitch (Series 5 Fixture)
SPL 31-AAA250Q	Graphic Insert: AAA250Q, AAA250R, and AAA250S
SPL 31-AAA102VB	Instruction Plates
SPL 31-AAA25300T	Phone Jack Assembly
SPL 32-AAA23500CH	Pushbutton, Luxury Micro-Motion III
TIP 20.2-5	<i>COP Emergency Light Battery and Bracket Retrofit Kit Installation</i>

Subject Matter Expert

Name	Department
Wesley Layton	Florence Engineering
Paul Anthony	OSC Service Engineering

About Spare Parts Leaflets...

This document lists the lowest replaceable units (LRUs) for the standard version of the product. The LRUs are chosen by a team of Otis associates representing engineering and manufacturing.

While goal of this document is to make parts identification as easy as possible, the document cannot be all-inclusive. Elevator and escalator contracts classified as "special" or "custom" are not addressed here. For such contracts, please refer to specified information, the contract folder, TIPs, Field Education Articles, Construction Letters, etc. for further information.

If you have any suggestions about this document, please contact the subject matter expert listed on this page.

History (continued)

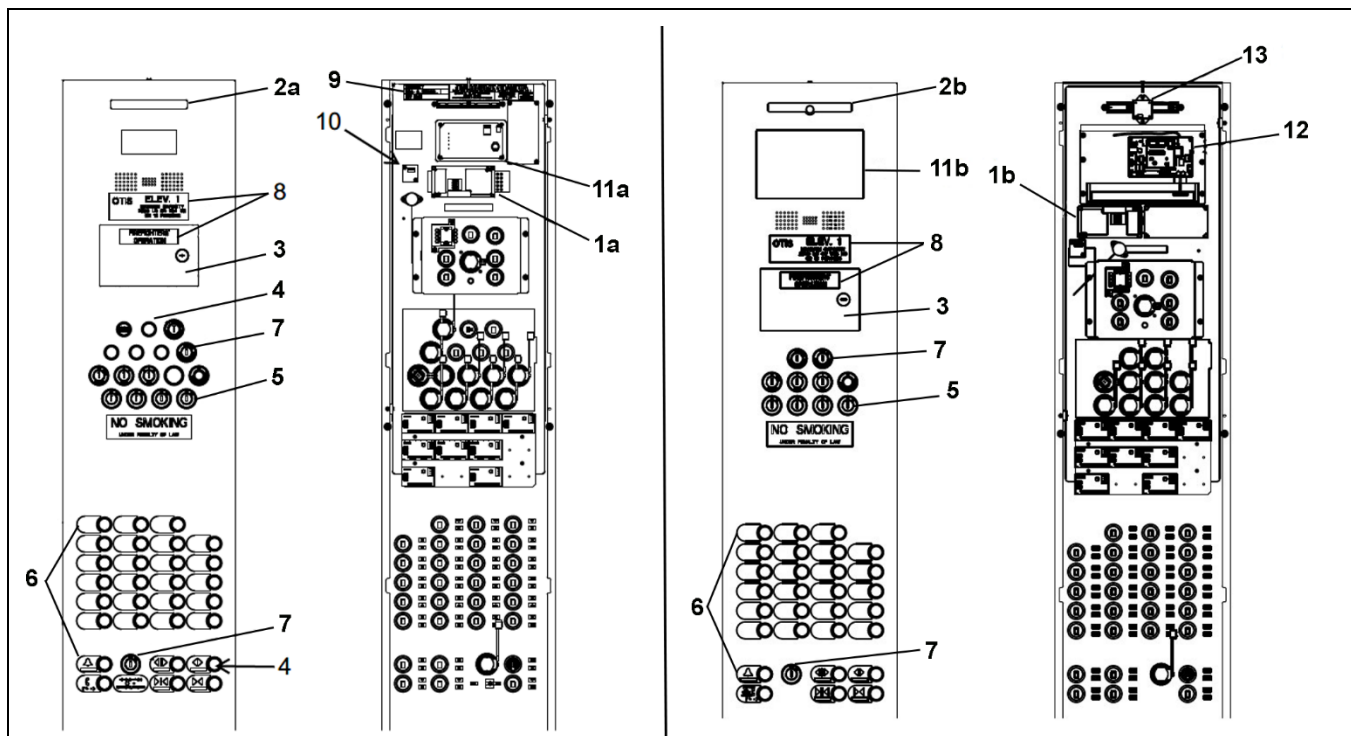
31-AAA25000EH

Leaflet Revisions

Date Revised	SME	Reason for Revision
November 7, 2012	Joseph D. Zych	New SPL
November 28, 2012	Joseph D. Zych	Corrected cover illustration; Added fuses p/ns AAA375BT12 and AAA375BT14 on p. 13; Modified ref. 8 on p. 13; Corrected SPL number in SPL header on pp. 11, 13, and 14; Added other finishes of screws to ref. 5 on p. 14
August 14, 2013	Joseph D. Zych	Added AAA25000EM1 and AAA25000EM2 Terminal Panels
September 4, 2013	Joseph D. Zych	Corrected reference numbers on page 13 and added fuse GO375AF18.
April 15, 2015	Paul Kerr, Eli Oleksiak, Joseph Zych	On p. 13, corrected reference numbers, changed ACA26800ARH1 to ACA26800ARH2 and added DAA26800Q3
August 12, 2015	Joseph Zych	Corrected SPL reference on p. 5
October 14, 2015	Joseph Zych	Corrected ref. 8 on p. 12
May 3, 2017	Paul Kerr	Updated Ref. 3 on p. 10 and Ref. 1 on p. 11
October 17, 2018	Paul Kerr	Updated Ref. 1 on p. 4 and Refs. 8 and 10 on p. 12
January 23, 2019	Joseph Zych	Added dwgs. AAA25400BS and AAA25400EF to history page
August 28, 2019	S. Wanyonyi	Added p/s AAA396RA1 on p. 10 and DAA26800AM1 on p. 11
April 6, 2022	Vadzim Fedarenka	<ul style="list-style-type: none">Added Ref. 2b and 4b and corrected definitions and reference numbers for ref. 2a and 4a on p. 4Added Ref. 1b and corrected definition and reference number for ref. 1a on p. 5Added Ref. 1b and corrected definition and reference number for Ref. 1a on p. 6Corrected page titles on pp. 11 and 13Added pp.12 and 14
June 29, 2022	V. Fedarenka	Added AAA174ABH44 Cable on p. 13
February 8, 2024	Labib Javed	Replaced AAA443FJ1 with AAA443FJ3 on p. 5
August 30, 2024	Wesley Layton	Replaced AAA512H1 with AAA512H2 on p. 4. Changed GAA26800SG3 to GAA26800SG3-OTISONE and added a note for commissioning on p. 12
April 24, 2024	Paul Anthony	Added AAA375BY26 (ref. 9) to spare for PCB, AAA718E24 (ref. 3), and replaced AAA316HHD2 (ref.4) to AAA316HHD10 on p.14; replaced retrofit kit AAA718E16 (ref. 6) to AAA718Q1 with a note for applications on p.15
June 26, 2024	Aayush Desai	Power supply AAA386NVX3 replaced by AAA621AN45 (Page 16).

Table of Contents

31-AAA25000EH



Non-A17.1 2019 / IBC2018 Product

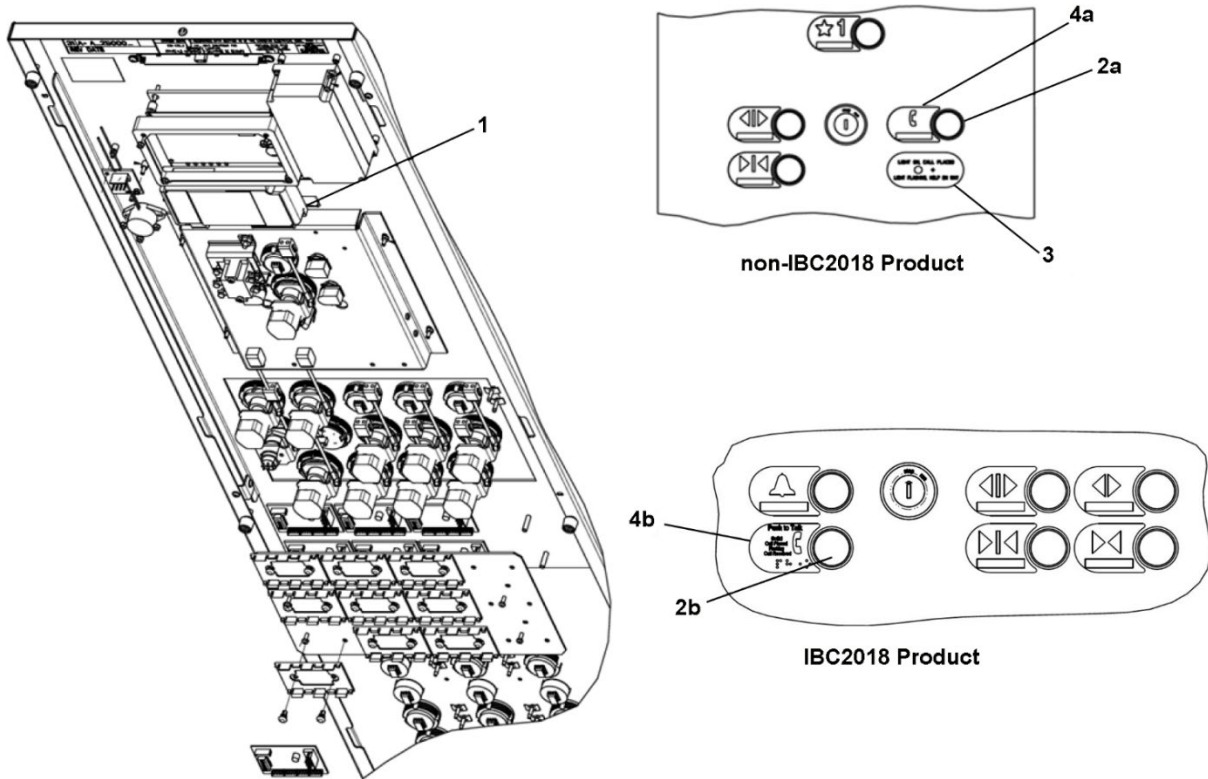
A17.1 2019 / IBC2018 Product

REF. No.	PAGE No.	DESCRIPTION
1a	5	ADA Phone
1b		
2a	6	Emergency Light
2b		
3	7	Firemen's Cabinet
4	8	Buttons
5	8	Collars
6	8	Graphics
7	8	Keyswitches
*	8	Nuts
*	9	In-Car Lantern
8	10	Labels
9	10	Vintage Tag
10	11	PC Boards
11a	12-13	Position Indicator
11b		
*	14-16	Terminal Panel
*	17	Miscellaneous
12	11	CPIB Board
13	11	Camera

* Not Shown

ADA Phone Assembly

31-AAA2500EH

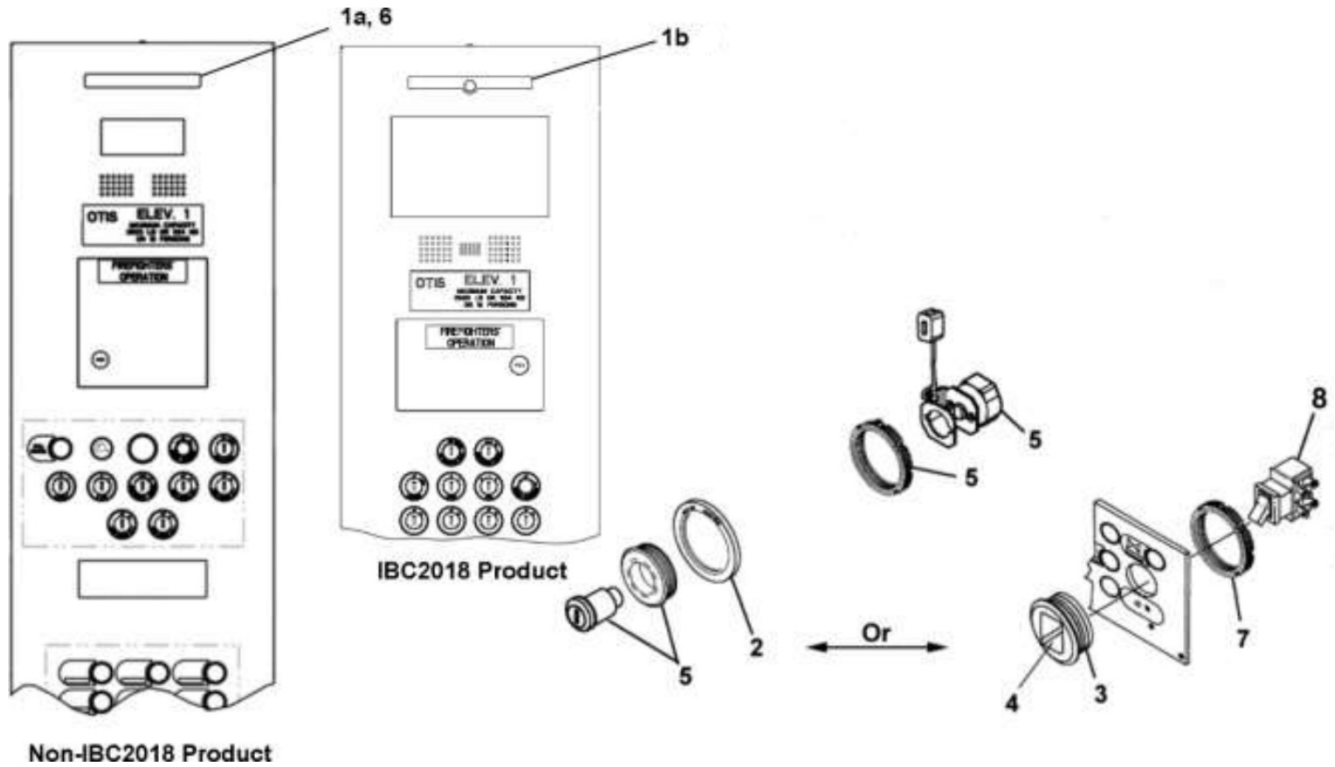



AAA2500EH		
REF. No.	PART No.	DESCRIPTION
1	FBA512AC1 AAA512H1 AAA512H2	Assembly, Speaker/Microphone for OAD. See SPL 31-AAA25300T
2a	---	Button, Non-Illuminating, Red Collar (ADA Phone), Type AAA23500CH. See SPL 31-AAA25300CH, Non-IBC2018 Product
2b	---	Button, Illuminating, Red Collar (ADA Phone), Type AAA23500CH. See SPL 31-AAA25300CH, IBC2018 Product
3	---	Graphic, Call Placed, ADA Phone, Type AAA250S. See SPL 31-AAA250Q
4a	AAA250V1-IPHONE2	Graphic, Phone, with Braille. Red with white phone graphic, Non-IBC2018 Product
4b	AAA250R1-IPHONE3	Graphic, Phone, with Braille and Instructions, CA Only, IBC2018 Product
	AAA250V1-IPHONE3	Graphic, Phone, with Braille and Instructions, non-CA Only, IBC2018 Product
*	A_A26800ARH_QS_NAA	Guide, Auto-Dialer Quick Start
*	AAA629AD101	LED Housing. For Call Placed.

* Not Shown

Emergency Stop Light & Devices

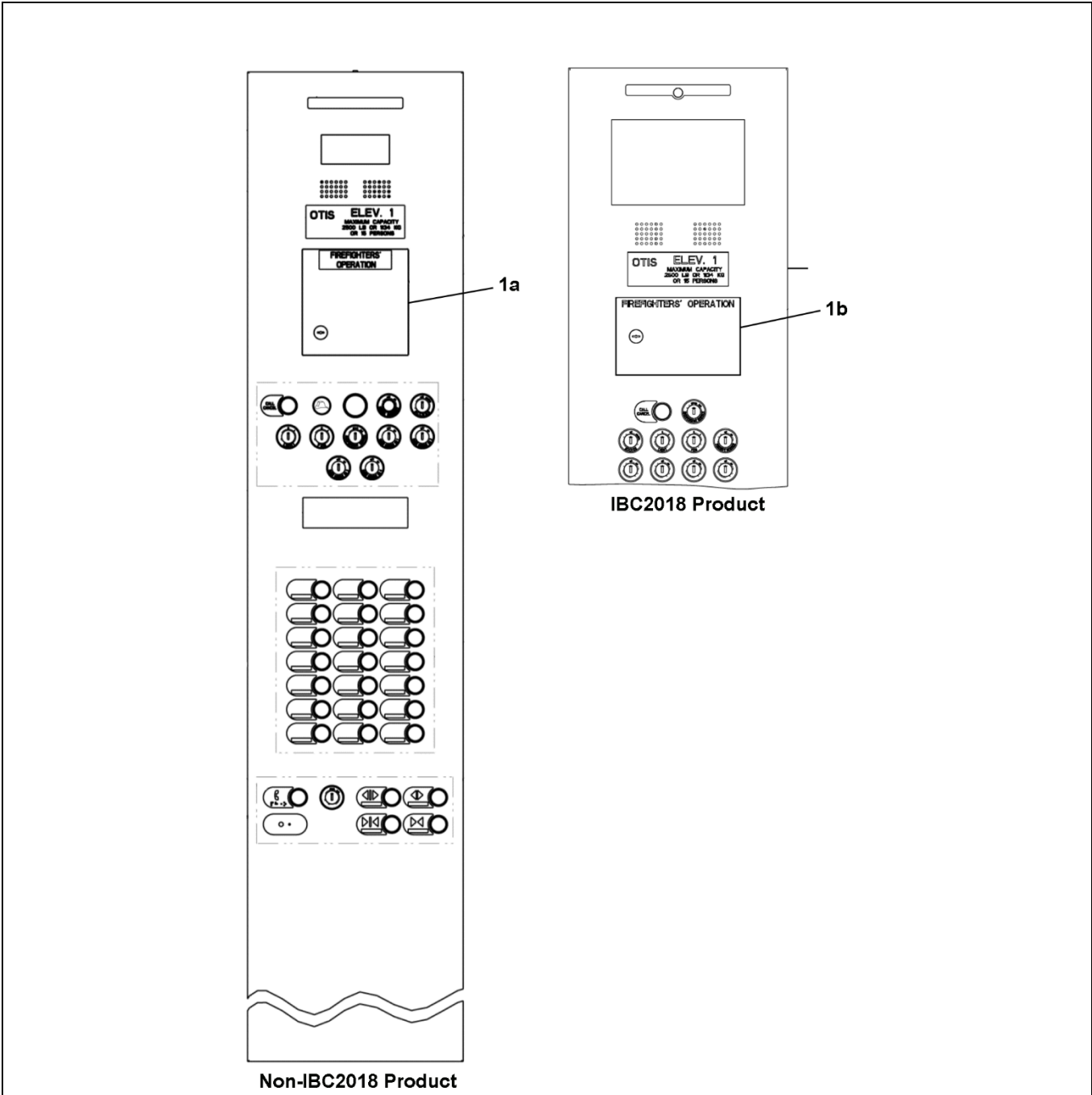
31-AAA25000EH



REF. No.	PART No.	DESCRIPTION
	AAA25000EH	
1a	AAA26800ANS1	Assembly, PC Board, for Emergency Light, Non-IBC2018 Product
1b	AAA417DK1	Assembly, Emergency Light (w/ Luminaires), IBC2018 Product
2	AAA340CV28	Collar, In-Car Stop,  ref. 5. See SPL 31-AAA340CV
3	MAA396W1	Housing, Toggle Switch, for In-Car stop
4	AAA250G4-STOPTGL	Graphic, In-Car Stop, for Toggle Switch
5	- - -	Keyswitch, In-Car Stop, See SPL 32-AAA23851A
6	AAA443FJ1 AAA443FJ3	Lens, Emergency Light
7	AAA72JZ1	Nut, For In-Car toggle switch and EMT jewel
8	6073F6	Switch, Toggle, for In-Car Stop

Firefighter's Cabinet

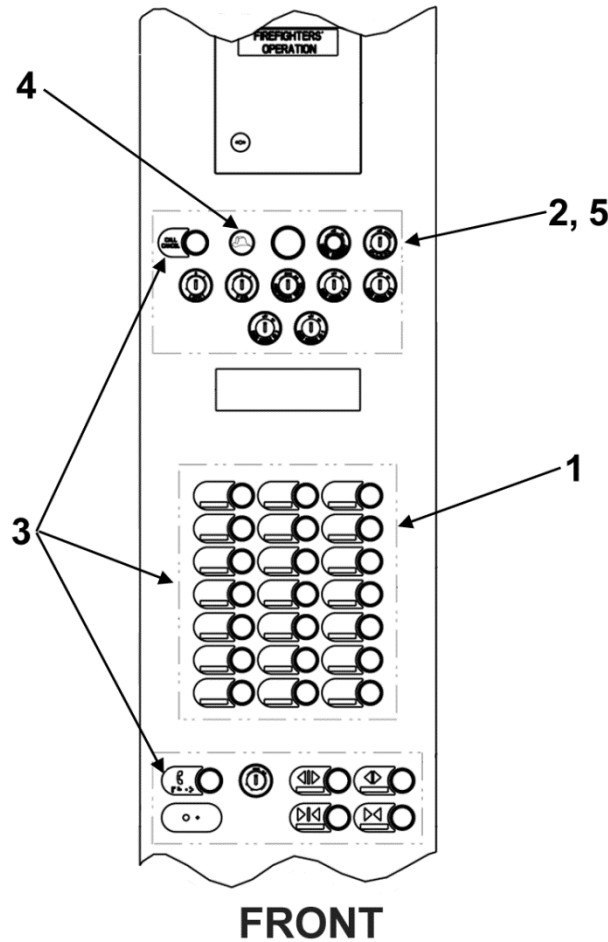
31-AAA25000EH



AAA25000EH		
REF. No.	PART No.	DESCRIPTION
1a	---	Firefighter's Cabinet, Type AAA7144CK, ABA317T, or AAA317Q, See SPL 31-AAA7144CK or 31-AAA317Q
1b	---	Firefighter's Cabinet, Type ABA317T, See SPL 31-AAA317Q

Fixtures

31-AAA2500EH



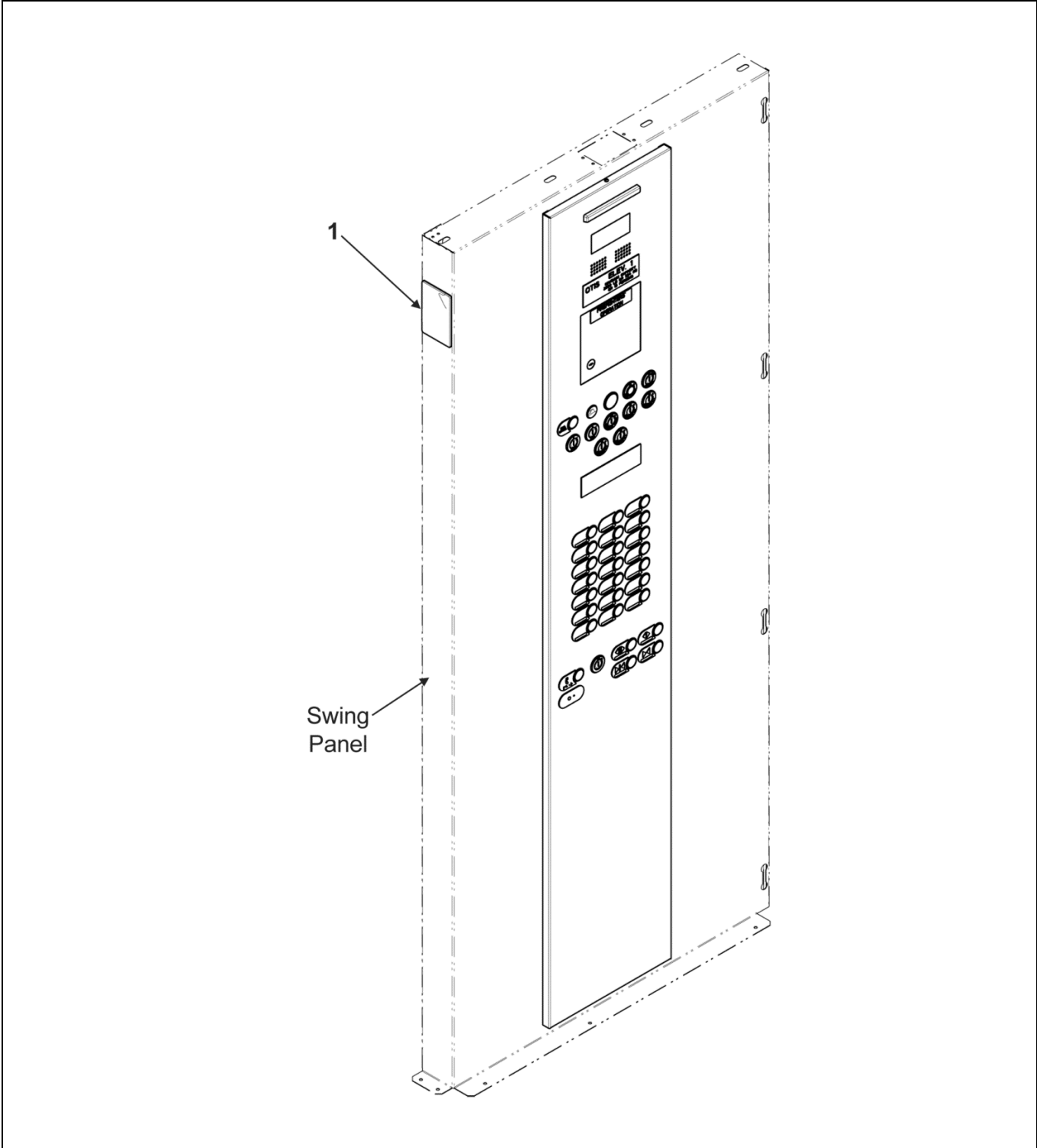
AAA2500EH

REF. No.	PART No.	DESCRIPTION
*	---	Assembly, Phone Jack (not in fire cabinet), See SPL 32-AAA23851A
1	---	Buttons, Micro Motion III, See SPL 32-AAA23500CH
2	---	Collars, French, Type AAA340CV, See SPL 31-AAA340CV
3	---	Graphics, Types AAA250Q1 & AAA250R1, See SPL 31-AAA250Q
*	AAA23851B14	Housing, Jewel & Lens, Emergency Medical Transfer, See SPL 31-AAA23851B
4	AAA23500AL11	Jewel, Fire Hat
5	---	Keyswitches, Type AAA23851A, See SPL 32-AAA23851A
*	FAA72N1	Nut, Typical
*	AAA72JZ1	Nut, In-Car Stop Switch, Toggle Switch, and EMT Jewel

* Not Shown

In-Car Lantern

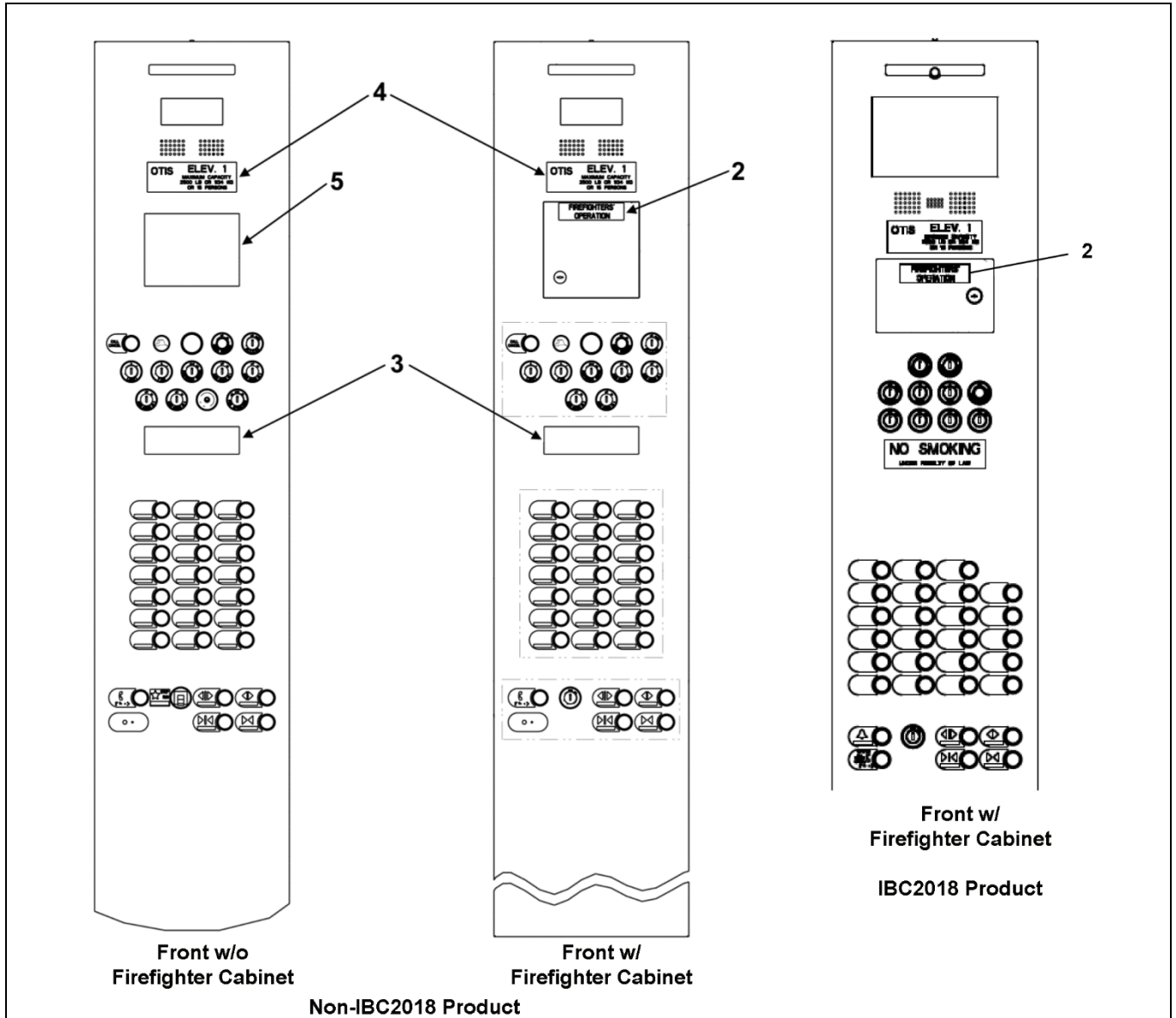
31-AAA25000EH



REF. No.	PART No.	DESCRIPTION
1	A6463W10	Lantern, In-Car, Blue (Front & Rear Opening)

Labels & Certificate Holder

31-AAA25000EH

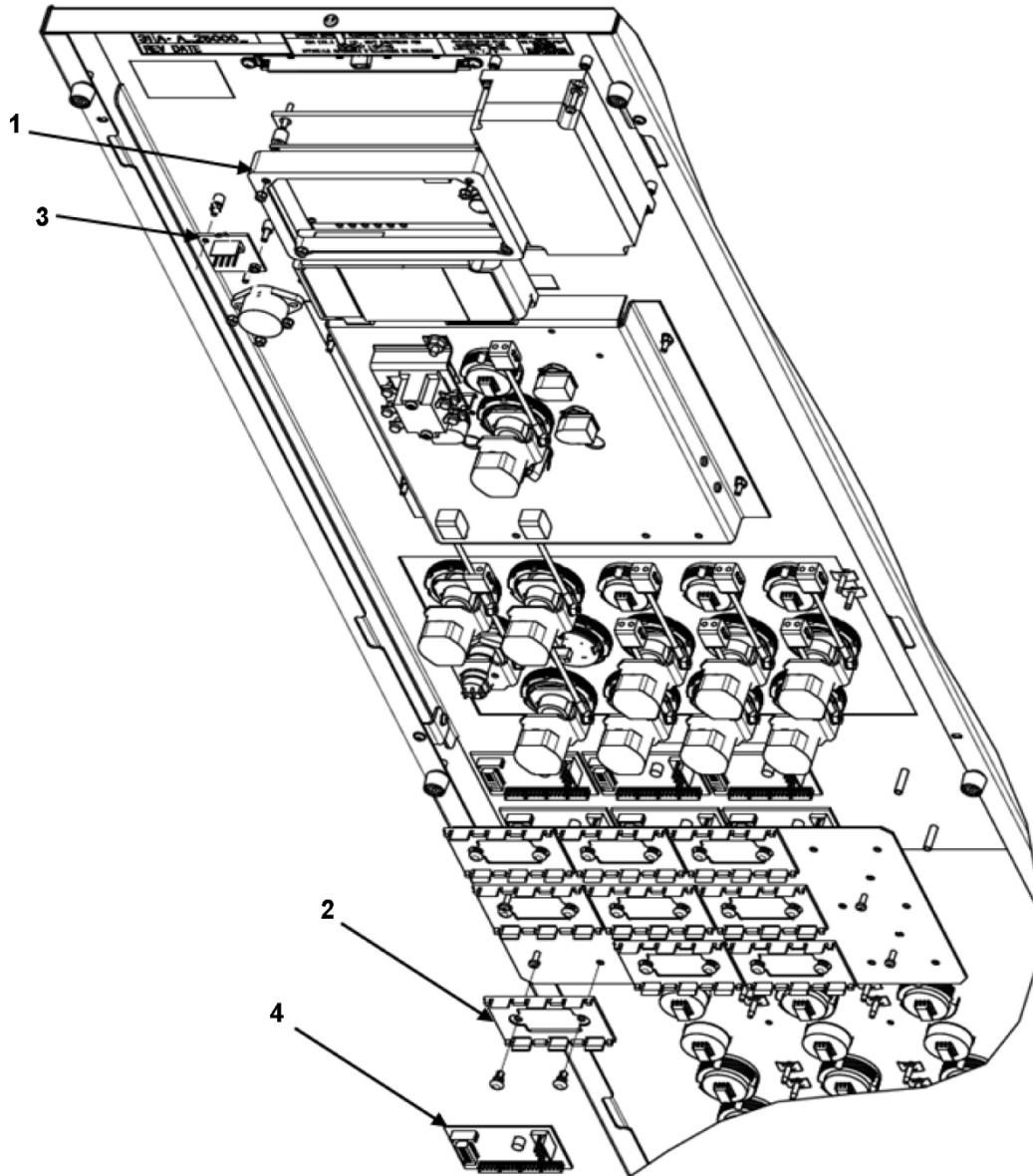


AAA25000EH		
REF. No.	PART No.	DESCRIPTION
1*	AAA25000DF9	Holder, Certificate Frame
2	AAA102VB114	Label, "Firefighters' Operation" (English). For cabinet door. See SPL 31-AAA102VB.
2	AAA102VB115	Label, "Firefighters' Operation" (French). For cabinet door.
3	AAA102VB108	Label, "No Smoking" See SPL 31-AAA102VB.
4	AAA102VB113	Label, Data and Capacity See SPL 31-AAA102VB.
5	---	Label, Fire Operation. For COP face panel. See SPL 31-AAA102VB.

* Not Shown

PC Boards

31-AAA25000EH

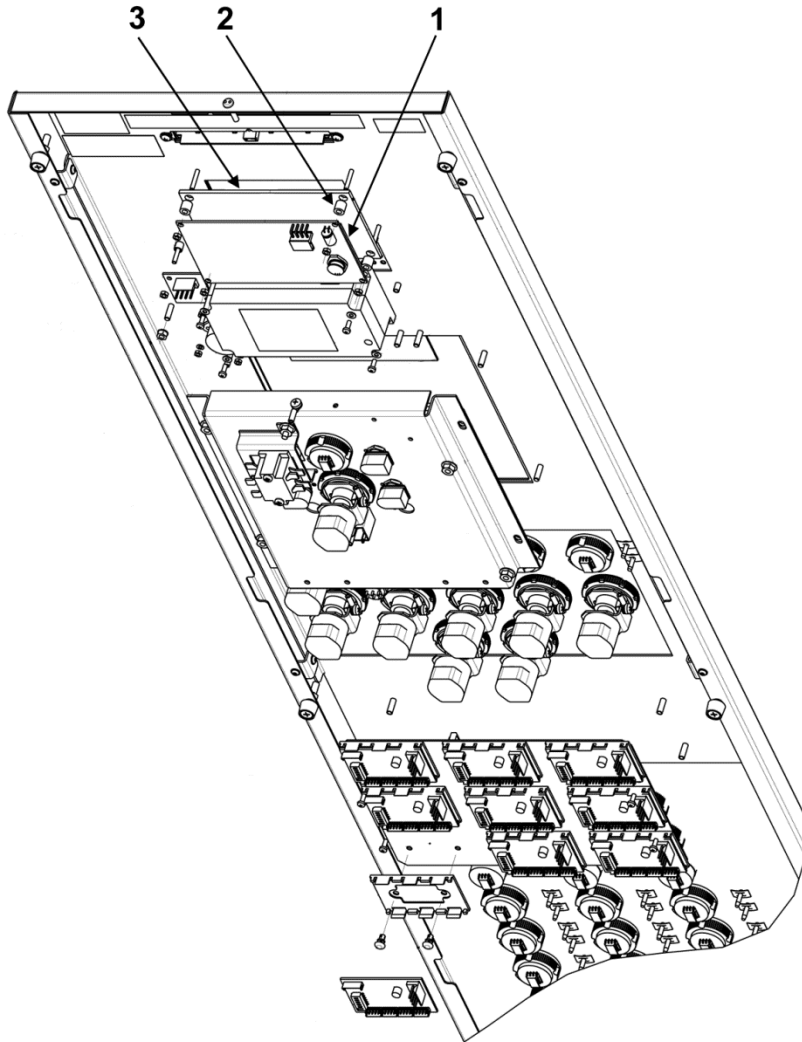


AAA25000EH		
REF. No.	PART No.	DESCRIPTION
1	AAA396RA1	Cover
2	FBA316SL1	Holder, PC Board. For RS14 board.
3	9693J2	PC Board, Line Terminator
4	DAA26800AL4 DCA26800AL1	PC Board, RS14
*	AAA26800AJS6	PC Board, Jewel. For Emergency Medical Transfer.

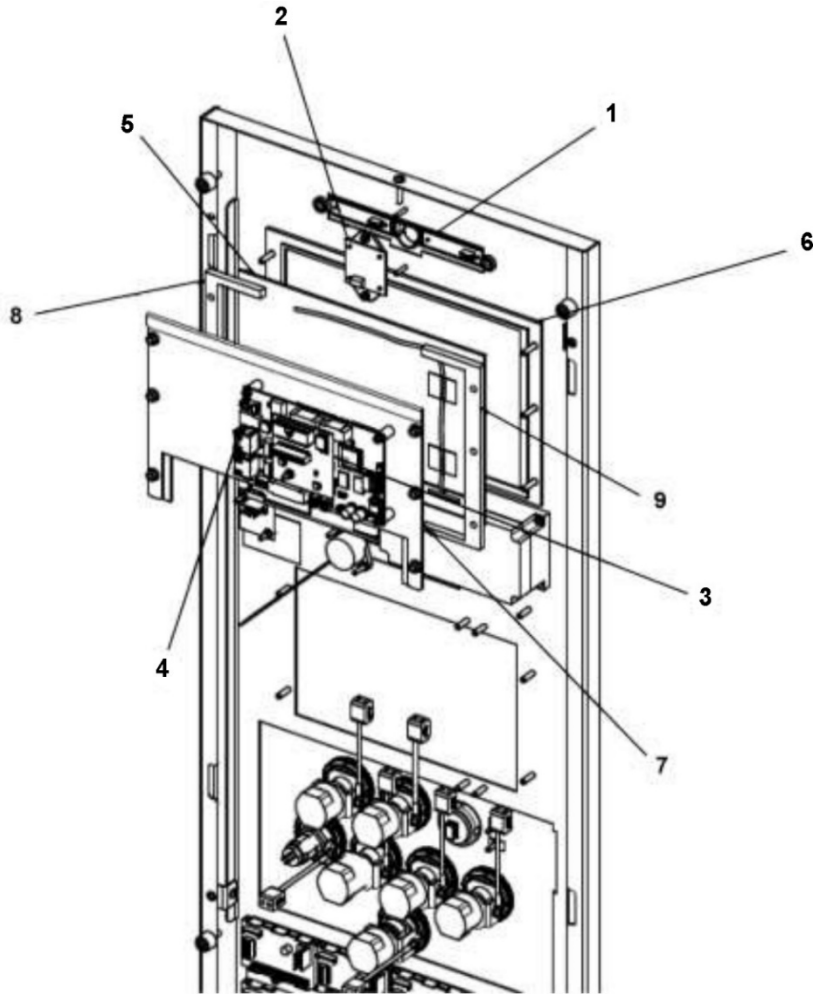
* Not Shown

Position Indicator for Non-IBC2018 Product

31-AAA25000EH

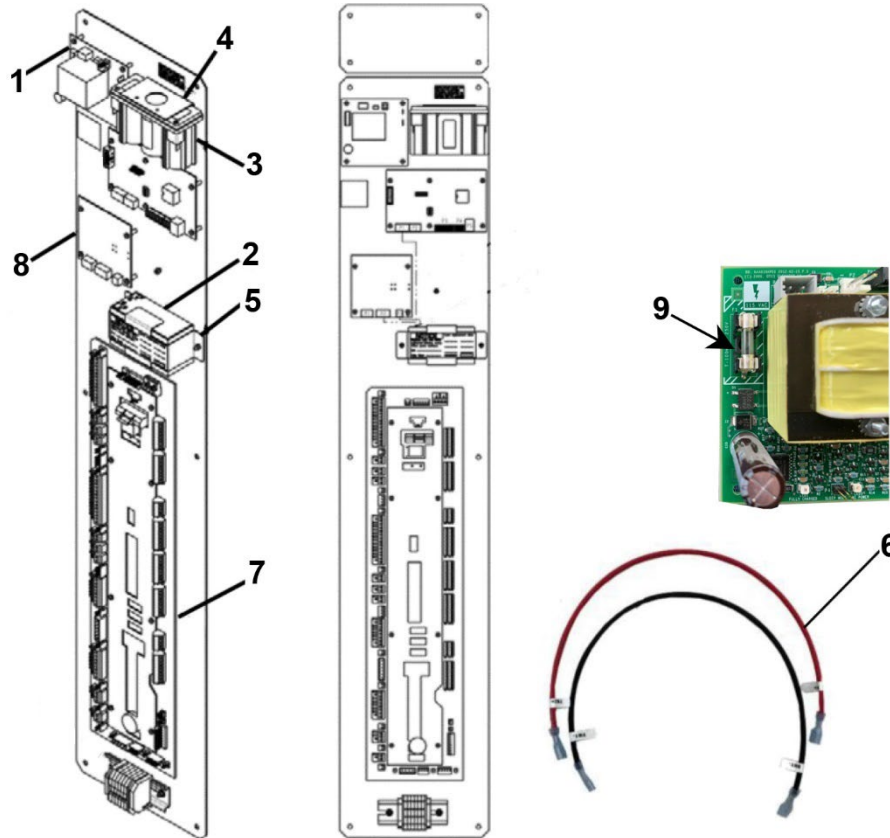


AAA25000EH		
REF. No.	PART No.	DESCRIPTION
1	DBA26800AM5 DAA26800AM1	Display, Position Indicator
2	AAA462AL3	Distance Piece, Position Indicator
3	AAA449CB1	Lens, Position Indicator



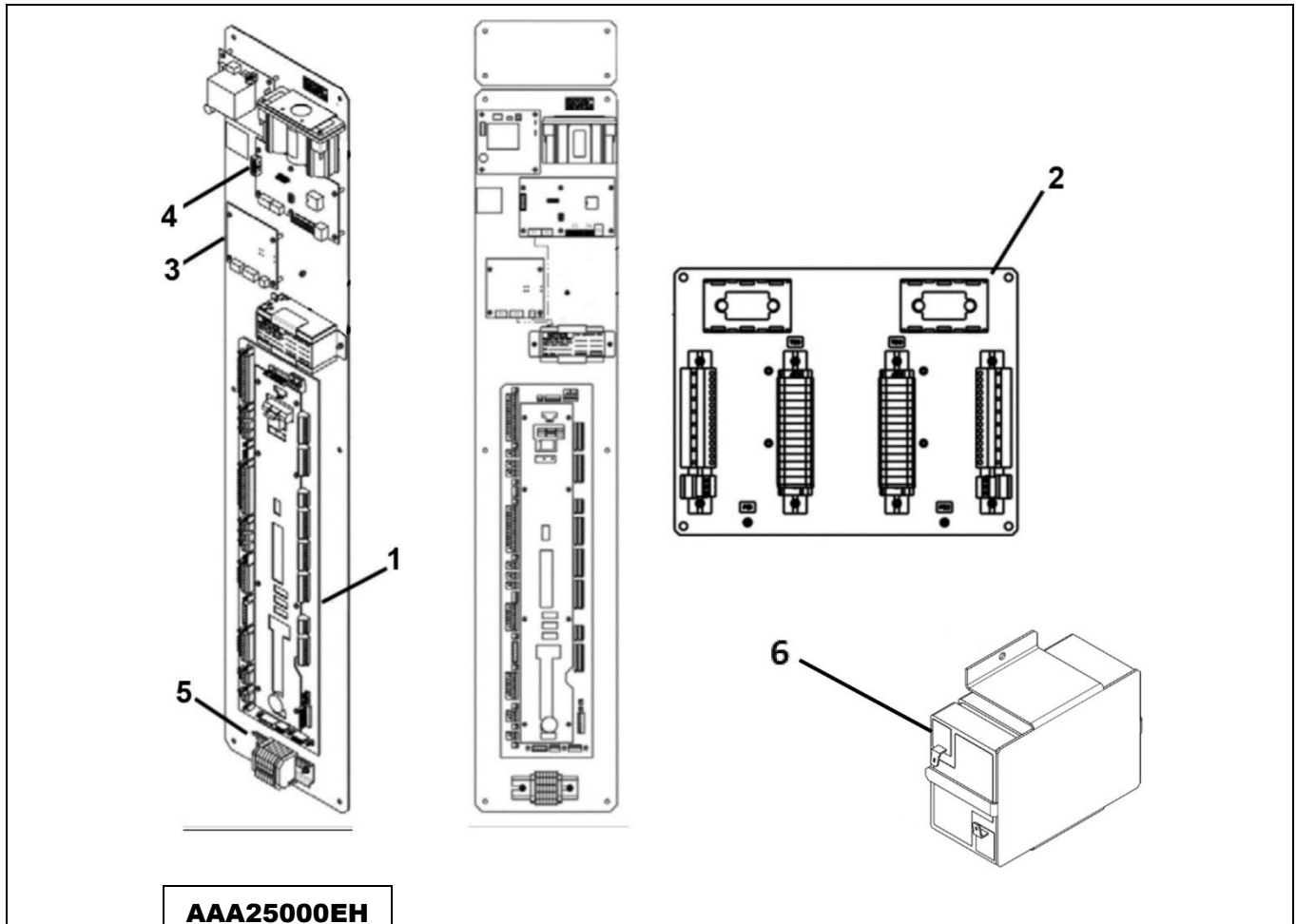
AAA25000EH		
REF. No.	PART No.	DESCRIPTION
1	AAA417DK1	Assembly, Emergency Light (w/ Luminaires), IBC2018 Product
2	AAA180KS2	Camera
3	GAA26800SJ1	Card, RSL Daughter
4*	GAA26800SG3 GAA26800SG3-OTISONE	PC Board CPIBv2, Otis One, 2 Way Video Application
5	EEAA424A1	Display, e-View
6	AAA443GS2	Lens, e-View
7	AAA386PBA2	Plate, Back, e-View
8	AAA374AFH2	Support Frame, e-View
9	AAA374AFH1	Support Frame, e-View

* Provide machine number when ordering for commissioning of the board prior to shipment.



AAA25000EH		
REF. No.	PART No.	DESCRIPTION
1	AAA26800APD1	Assembly, Battery Charger PC Board. For emergency lighting system (ELS)
2	AAA718E18	Battery, 12 Volt, 1.4 AH. Used for OAD phone.
3	AAA718E24	Battery, Lead Acid 6 Volt, 4.5 AH
4	AAA316HHD2 AAA316HHD10	Bracket, Battery
5	AAA316HND2	Bracket, Battery
6	AAA174ABH44	Cable, AAA718E16 Battery Connection, 355 mm
7	AAA375BT12	Fuse, 250 Volts, 10 Amp. For ACA26800AXA1 PC Board.
7	AAA375BT14	Fuse, 250 Volts, 15 Amp. For AAA26800AXC1 PC Board.
8	GO375AF18	Fuse, 5 x 20 mm, T1AL250V. For AAA26800ARK1 PC Board.
9	AAA375BY26	Fuse, GMA-100 mA for Emergency Light/Alarm Bell Board

NOTE: See p. 14 for IBC2018 product parts.



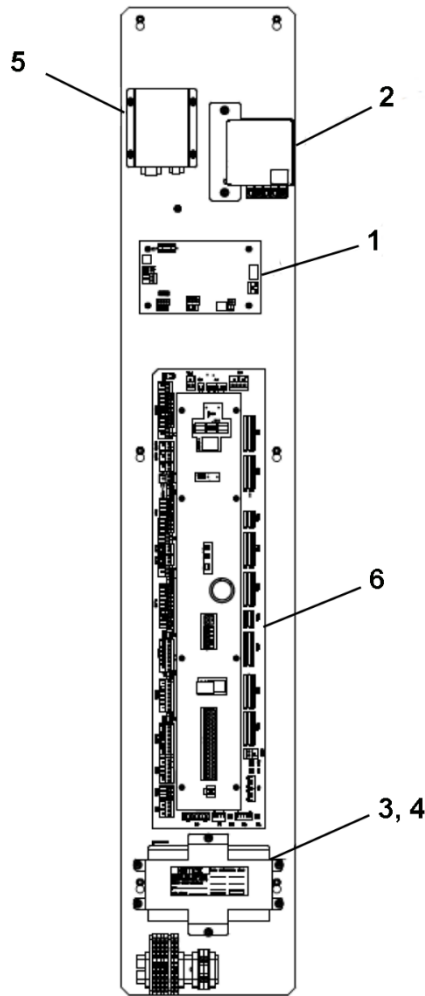
REF. No.	AAA25000EH PART No.	DESCRIPTION
1	AAA26800BAA1	PC Board Car Interface, G2S, G2O (Access Alert TCIB)
	AAA26800AZX1	PC Board, Car Interface, G2S and G2O (CAN Doors)
	ABA26800AXC1	PC Board, Car Interface, Gen2-S (Multidrop Doors)
	ACA26800AXA1	PC Board, Car Interface, HydroFit®
	AAA26800AZZ1	PC Board, Car Interface, HydroFit® (Access Alert TCIB)
2	DAA26800Q3	PC Board, CF14-CAN Hydro (mounted on AAA25000EM assembly)
3	AAA26800ARK1	PC Board, Gateway 2 Battery Backup
4	ADA26800ARH3	PC Board, Gateway 2 Otis Auto-Dialer, w/ Speech
	ACA26800ARH2	PC Board, Gateway 2 Otis Auto-Dialer, w/o Speech
5	401B100	Rail, Mounting (for terminal block)
6	AAA718E16 AAA718Q1	Retrofit Kit, Battery 6 V, 2.75 AH. See NOTE .

NOTE: See p. 14 for IBC2018 product parts.

NOTE: AAA718Q2 is a retrofit kit. For more information, see TIP 20.2-5, *COP Emergency Light Battery and Bracket Retrofit Kit Installation Information*. Retrofit kit only needed if the AAA718E16 battery was existing equipment at the time of service, otherwise, replace with currently installed equipment.

Terminal Panel, IBC2018 Product

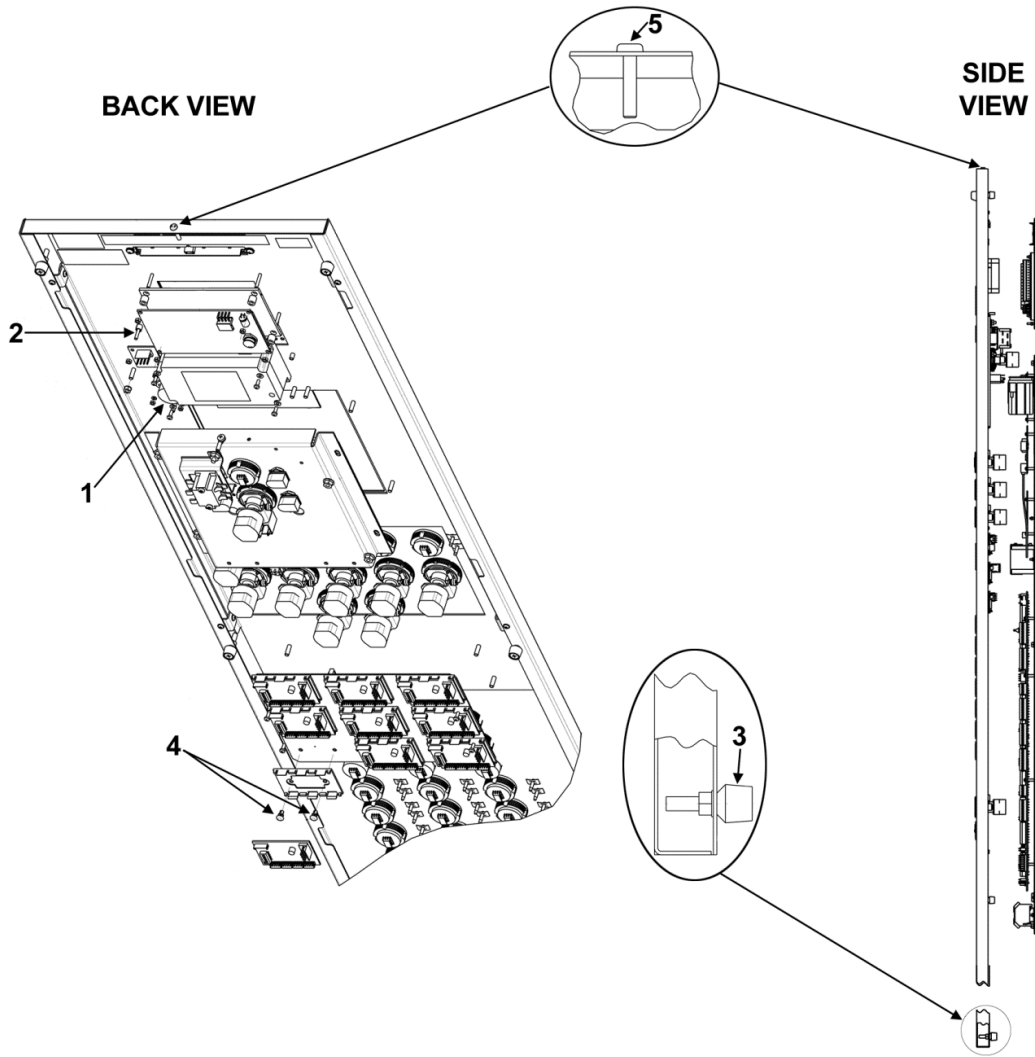
31-AAA25000EH



AAA25000EH		
REF. No.	PART No.	DESCRIPTION
1	ABA26800BBM1	Assembly, Battery Backup Board
2	AAA386NVX3 AAA621AN45	Assembly, Power Supply
3	AAA718E22	Battery, 12 Volt, 9 Amp/H
4	AAA316KZV2	Bracket, Battery
5	AAA639FK1	Extender, Ethernet
6	AAA26800BAA2	PC Board Car Interface, G2S, G2O (Access Alert TCIB) (A17.1 2019/IBC2018)
	AAA26800AZZ2	PC Board, Car Interface, HydroFit® (Access Alert TCIB) (A17.1 2019/IBC2018)

Miscellaneous

31-AAA25000EH



AAA25000EH		
REF. No.	PART No.	DESCRIPTION
1	6219F2	Buzzer
2	354CD108	Distance Piece. For line terminator.
3	MAA81AS2	Pin, Locating
4	AAA141AN1	Rivet, Snap
5	AAA124HE5	Screw, Tamper-Resistant, M4x20, FS4/SSB Brushed Stainless Finish
	AAA124HE6	Screw, Tamper-Resistant, M4x20, GOLDB Brushed Brass
	AAA124HE7	Screw, Tamper-Resistant, M4x20, SSM Mirror Stainless
	AAA124HE8	Screw, Tamper-Resistant, M4x20, GOLDM Mirror Brass
	AAA124HE10	Screw, Tamper-Resistant, M4x20, BT Bronze Tinted