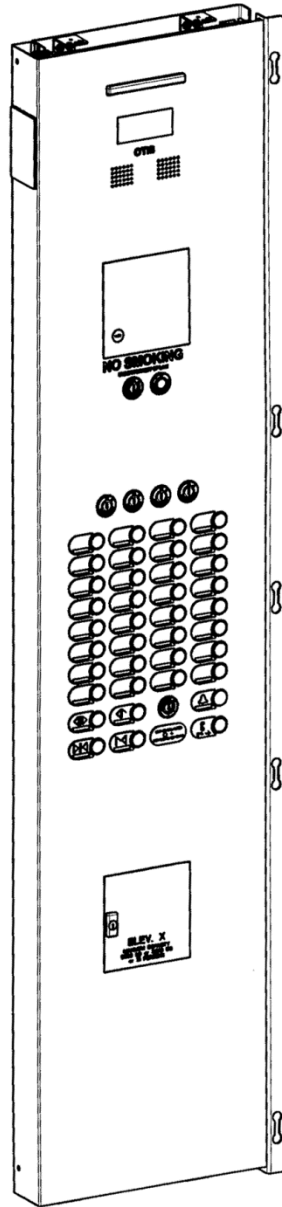


Luxury Swing Return Car Operating Panel

Spare Parts Leaflet 31-AAA25000EN

January 24, 2024 / Page 1 of 16

31 H - AAA25000EN



OTIS

This document does not contain any
technical data subject to EAR or ITAR

SERVICE ENGINEERING
Otis Elevator Company
Bloomfield, Connecticut USA

Unpublished Work—© Otis Elevator Co.; 2024

Leaflet Description

This leaflet provides spare parts information for the luxury swing return car operating panel, type AAA25000EN

Leaflet Revisions

Date Revised	Subject Matter Expert	Reason for Revision
See Next Page for Revision History		

Related Drawings

Drawing No.	Title	Drawing No.	Title
AAA25000EN	Assembly, Luxury Swing Return, COP	AAA25400EF	Car Rewiring COP
AAA25400BS	Cable Electrical COP Prewiring	AAA718Q	Battery, Electric (Kit, Battery Retrofit)

Related Documents

Document ID	Title
SPL 31-AAA7144CK	<i>Firefighter's Cabinet Assembly</i>
SPL 31-AAA23851B	<i>Fixture: Jewel Assembly</i>
SPL 31-AAA340CV	<i>Fixture – Part, Collar, Keyswitch and Jewel</i>
SPL 31-AAA403CK	<i>Door Service Cabinet</i>
SPL 31-AAA250Q	<i>Graphic Insert: AAA250Q, AAA250R, and AAA250S</i>
SPL 31-AAA102VB	<i>Instruction Plates</i>
SPL 31-AA25300T	<i>Phone Jack Assembly</i>
SPL 32-AAA23851A	<i>Fixture – Part, Keyswitch (Series 5 Fixture)</i>
SPL 32-AAA23500CH	<i>Pushbuttons, Luxury Micro-Motion III</i>
TIP 20.2-5	<i>COP Emergency Light Battery and Bracket Retrofit Kit Installation</i>

Subject Matter Expert

Name	Department
Wesley Layton	Florence Engineering
Paul Anthony	OSC Service Engineering

About Spare Parts Leaflets...

This document lists the lowest replaceable units (LRUs) for the standard version of the product. The LRUs are chosen by a team of Otis associates representing engineering and manufacturing.

While goal of this document is to make parts identification as easy as possible, the document cannot be all-inclusive. Elevator and escalator contracts classified as “special” or “custom” are not addressed here. For such contracts, please refer to specified information, the contract folder, TIPs, Field Education Articles, Construction Letters, etc. for further information.

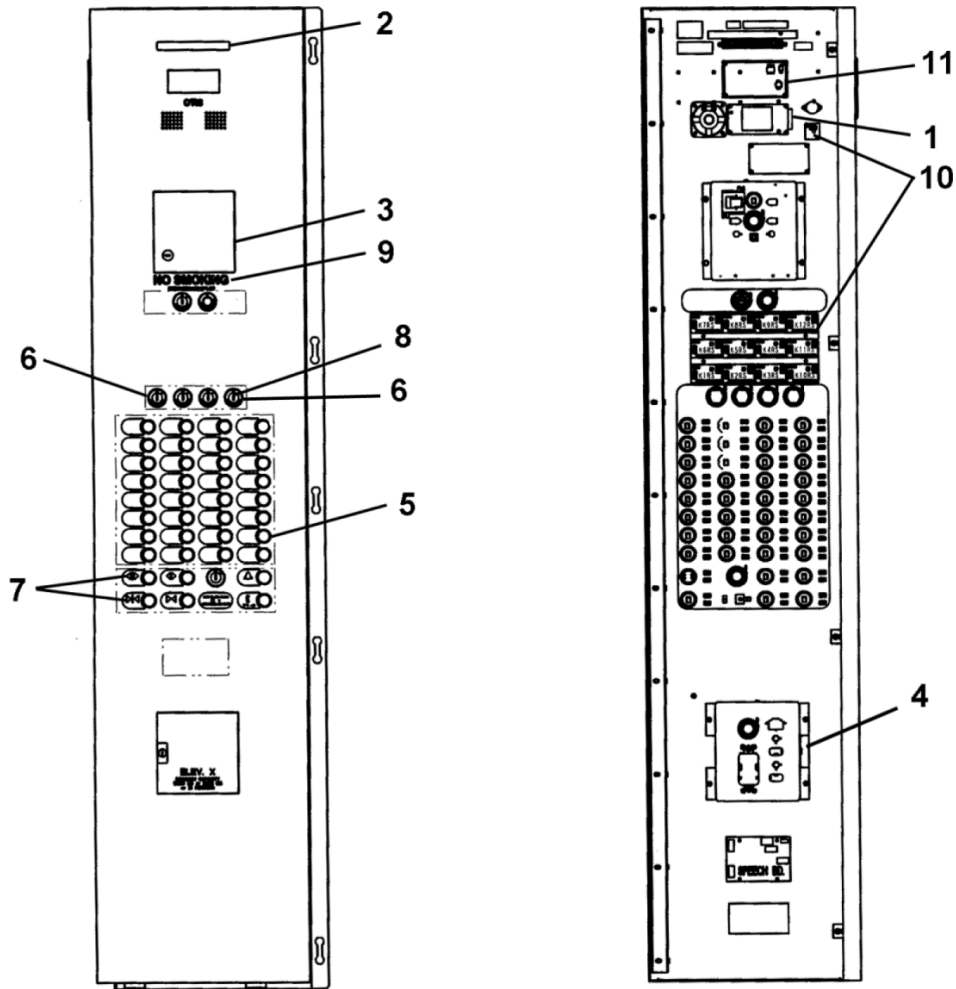
If you have any suggestions about this document, please contact the subject matter expert listed on this page.

History (continued)

31-AAA25000EN

Leaflet Revisions

Date Revised	Subject Matter Expert	Reason for Revision
May 29, 2013	Joseph Zych	New SPL
May 14, 2014	Joseph Zych	Updated information
April 15, 2015	Paul Kerr, Eli Oleksiak, Joseph Zych	Changed ACA26800ARH1 to ACA26800ARH2 on p. 14; Added DAA26800Q3 on p. 12
September 2, 2015	Joseph Zych	Corrected ref. 7 on p. 13
March 16, 2016	Joseph Zych	Added p/n ABA26800AMZ5 in ref. 3 on p.9
May 3, 2017	Paul Kerr	Updated Ref. 3 on p. 11 and Ref. 1 on p. 12
August 2, 2017	Charles Lowd	Added AAA26800AZX1 to Ref. 7 on p. 13
October 3, 2018	Jay Lengacher, Paul Kerr, and Joseph Zych	Added AA25000DF10, 11, 12, 16, and 17 on p.10
August 28, 2019	Solomon Wanyonyi	Added p/ns AAA396RA1 & DAA26800AM1 on p. 12
April 21, 2021	Joseph Zych	Added reference to SPL 32-AAA323EA
February 8, 2023	Labib Javed	Replaced AAA443FJ1 with AAA443FJ3 on p. 5
January 24, 2024	Paul Anthony	Added AAA375BY26 to spare for PCB and added retrofit kit AAA718Q with a note for applications.

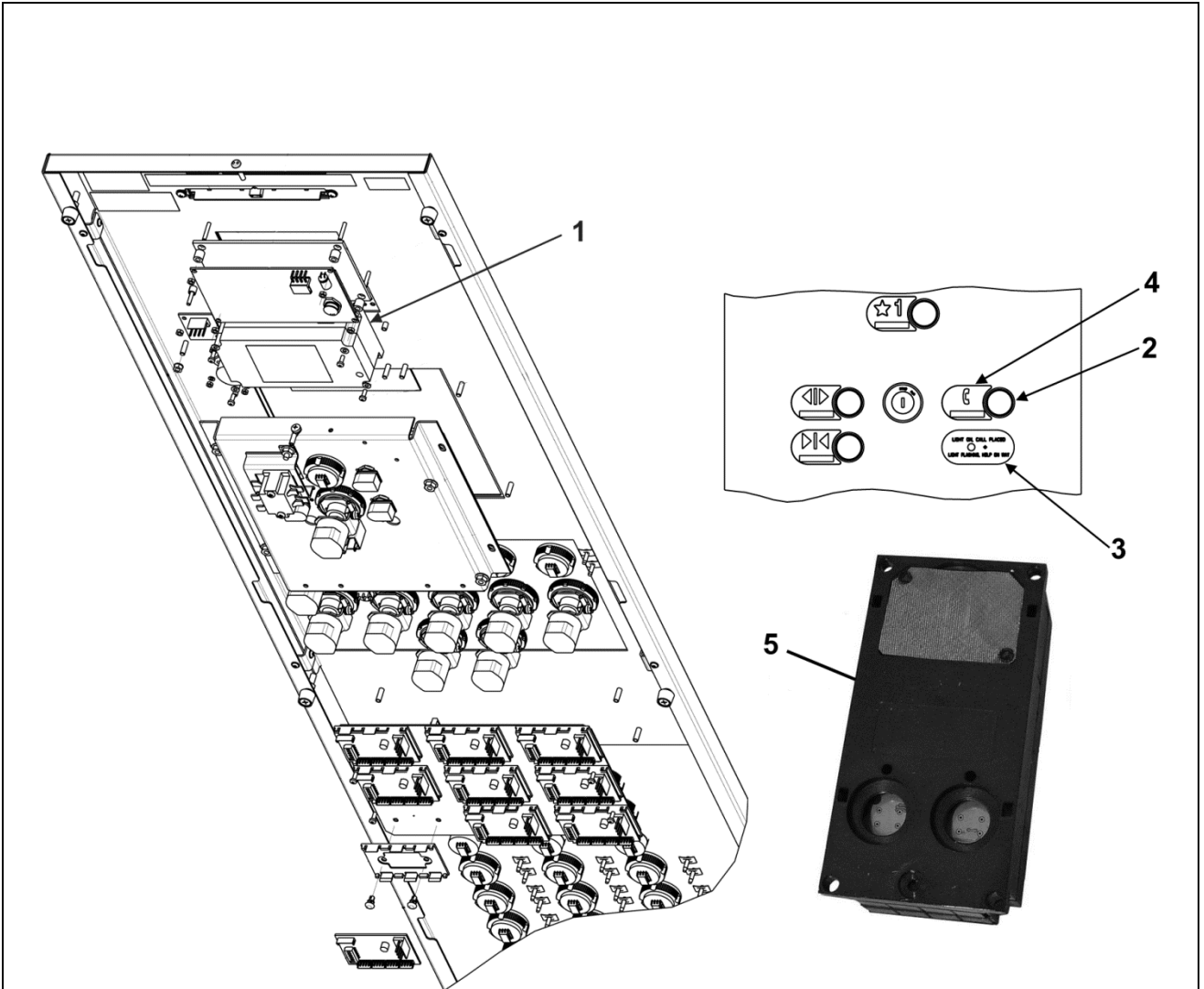


REF. No.	PAGE No.	DESCRIPTION
1	5	OAD Phone
2	6	Emergency Light
3	7	Firemen's Cabinet
4	8	Service Cabinet
5	9	Buttons
6	9	Collars
7	9	Graphics
8	9	Keyswitches
*	9	Nuts
*	10	In-Car Lantern
9	11	Labels
10	12	PC Boards
11	13	Position Indicator
*	14-15	Terminal Panel
*	16	Miscellaneous

*Not Shown

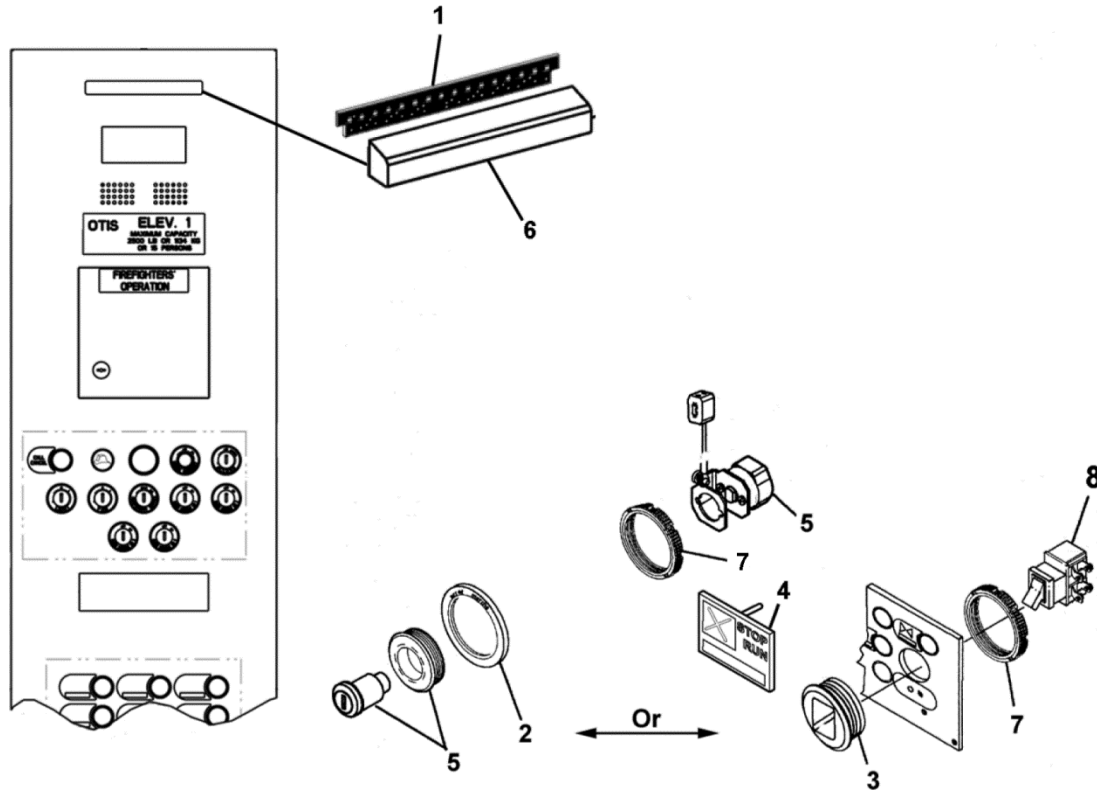
OAD Phone Assembly

31-AAA25000EN



AAA25000EN		
REF. No.	PART No.	DESCRIPTION
1	FBA512AC1	Assembly, OAD & Speaker/Microphone, See SPL 31-AAA25300T
2	---	Button, Non-Illuminating, Red Collar (ADA Phone), Type AAA23500CH, See SPL 32-AAA25300CH
3	---	Graphic, Call Placed, ADA Phone, Type AAA250S, See SPL 31-AAA250Q
4	AAA250V1-IPHONE2	Graphic, Phone, w/ Braille (red with white phone graphic)
*	AAA629AD101	Housing, LED (for call placed)
5	AAA512A1	Module, Intercom

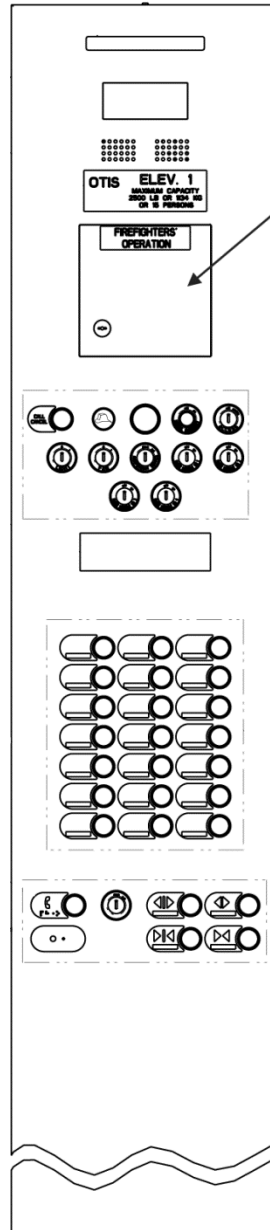
* Not shown.



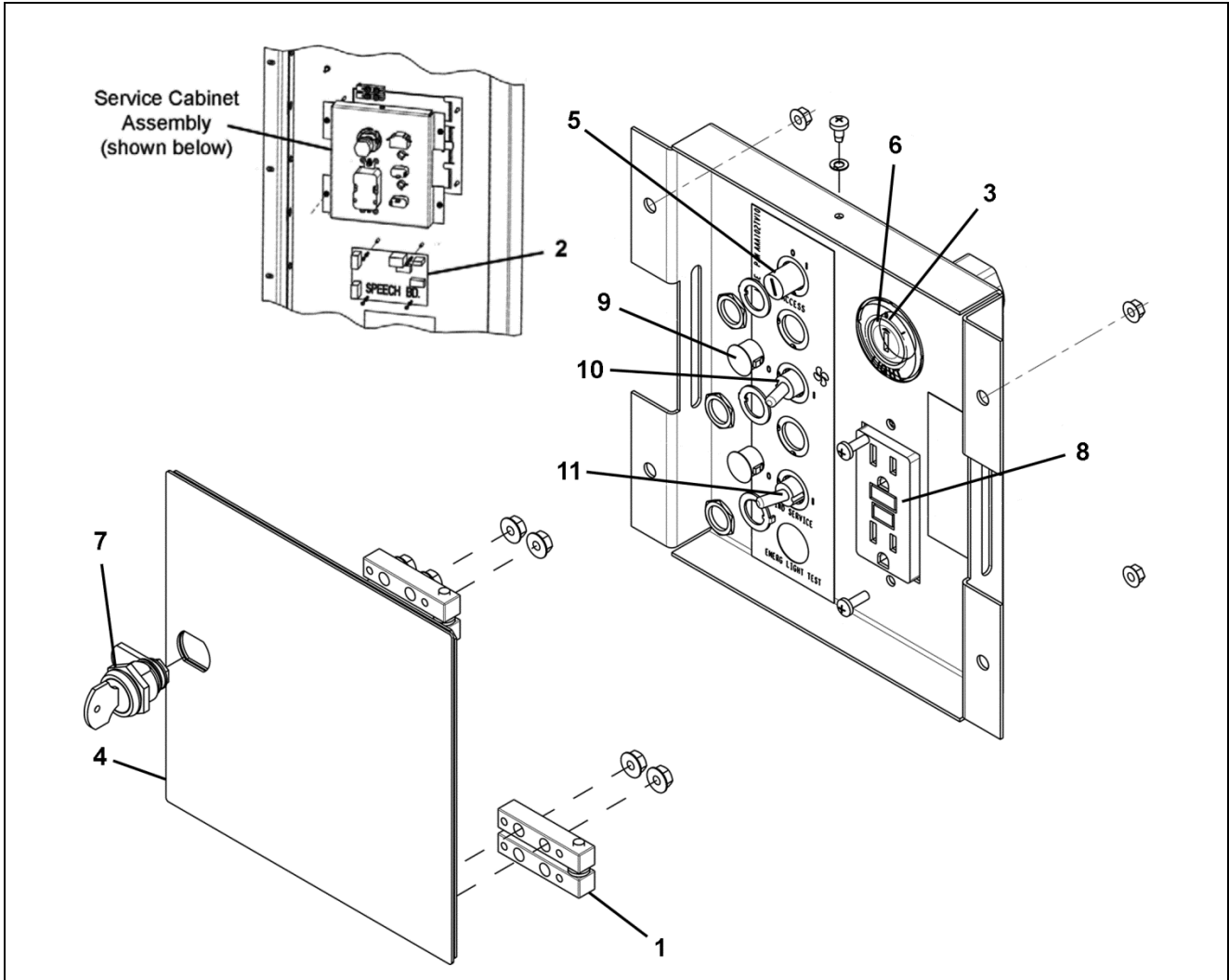
AAA25000EN		
REF. No.	PART No.	DESCRIPTION
1	AAA26800ANS1	Assembly, PC Board, for Emergency Light, 6 VDC
2	AAA340CV28	Collar, In-Car Stop, In-Car Stop Keyswitch See SPL 31-AAA340CV
3	MAA396W1	Housing, Toggle Switch, for In-Car Stop
4	AAA250G4-STOPTGL	Graphic, In-Car Stop, for Toggle Switch
5	---	Keyswitch, In-Car Stop, See SPL 32-AAA23851A
6	AAA443FJ4 AAA443FJ3	Lens, Emergency Light
7	AAA72JZ1	Nut, for In-Car Toggle Switch and EMT Jewel
8	6073F6	Switch, Toggle, for In-Car Stop

Firefighter's Cabinet

31-AAA25000EN



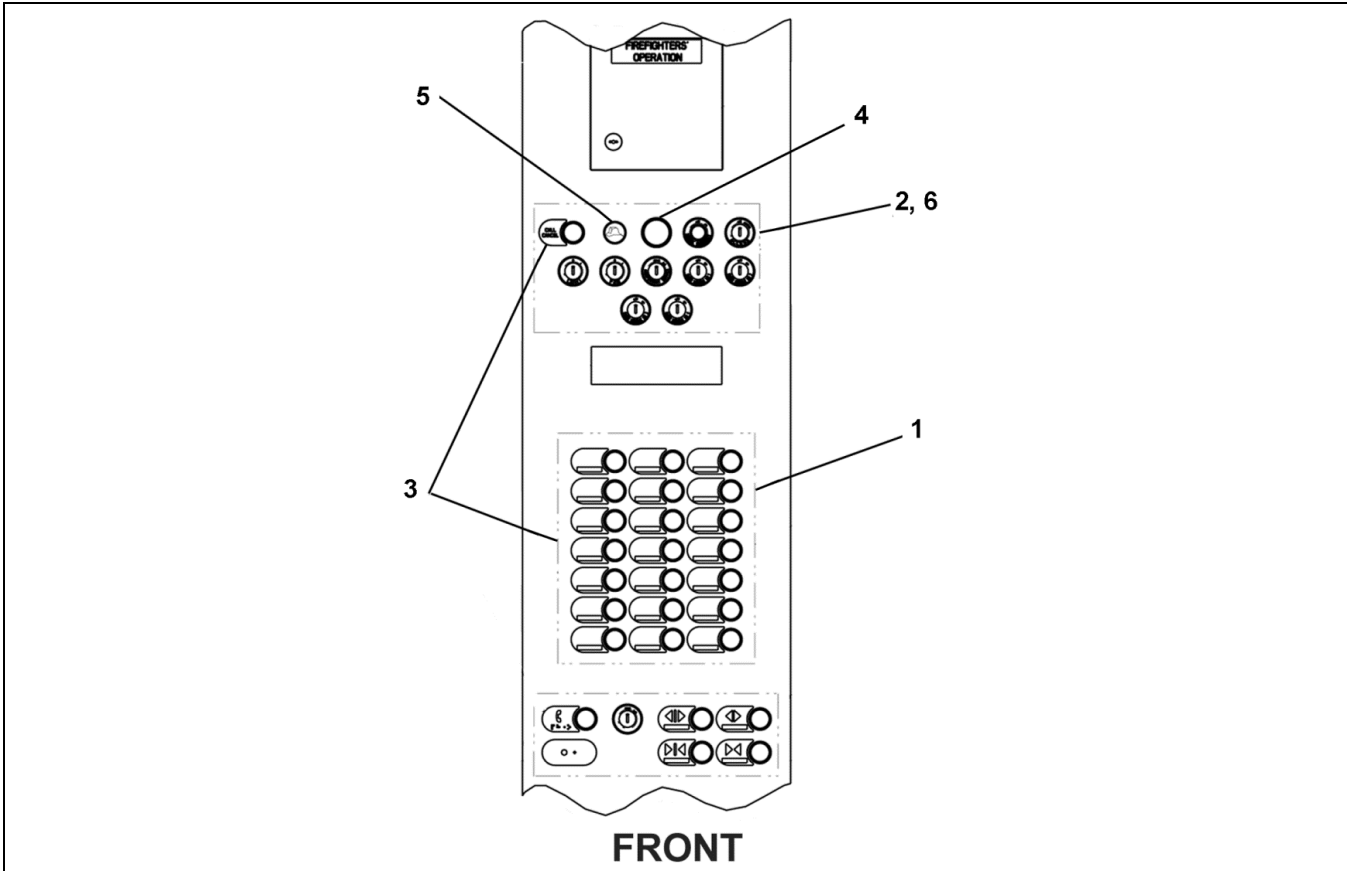
	AAA25000EN	
REF. No.	PART No.	DESCRIPTION
1	---	Firefighter's Cabinet, Type AAA7144CK, See SPL 31-AAA7144CK.



AAA25000EN		
REF. No.	PART No.	DESCRIPTION
1	AAA310SX4	Block, Hinge
2	ABA26800APS1	Board, Speech
3	---	Collar, Type AAA340CV, See SPL 31-AAA340CV
4	---	Door, Type AAA403CK, Contract Specific, See SPL 31-AAA403CK
5	6410R3	Keyswitch, Access
6	---	Keyswitch, Light, Type AAA23851A, See SPL 32-AAA23851A
7	431Y1-DC 431Y3-DC	Lock
8	641A4 641A3	Outlet, Duplex
9	AAA444DG6	Plug
10	---	Switch, Toggle, Fan, Type 6599A, See SPL 31-6599A
11	6599A3	Switch, Toggle, Independent Service

Fixtures

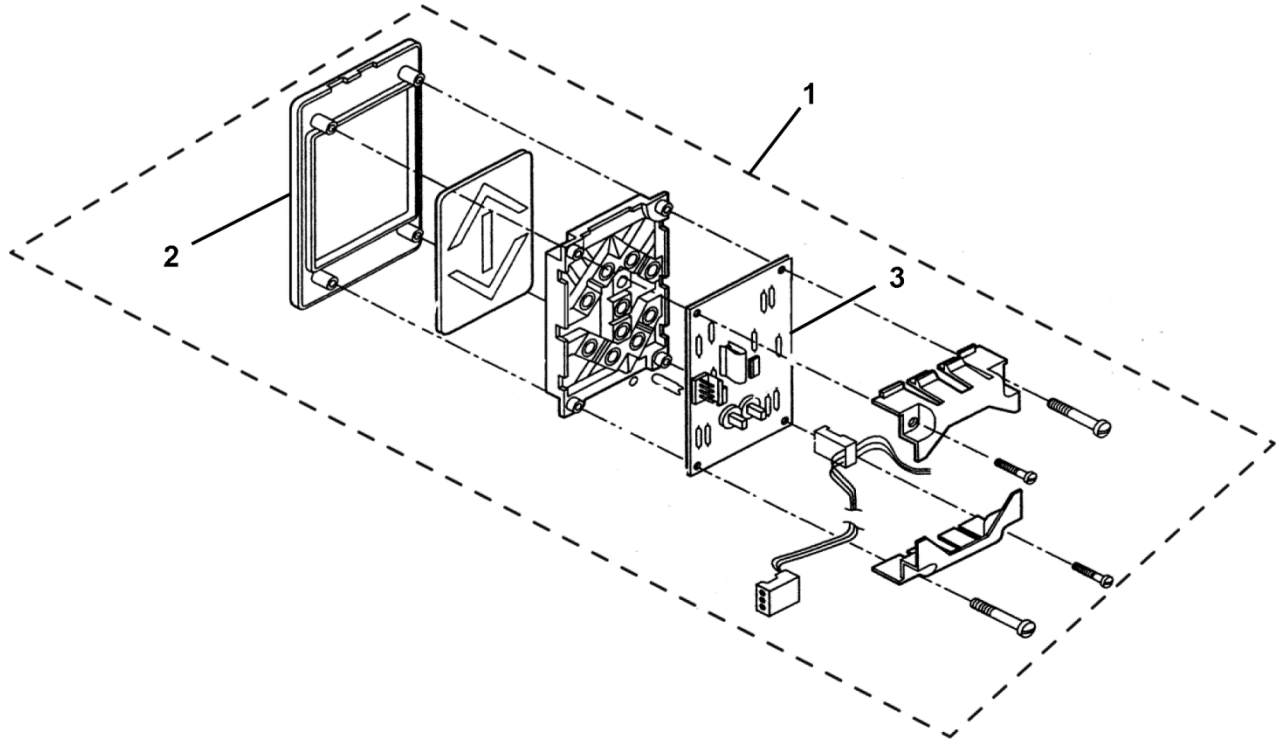
31-AAA25000EN



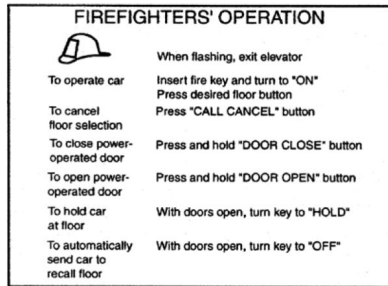
FRONT

AAA25000EN		
REF. No.	PART No.	DESCRIPTION
*	---	Assembly, Phone Jack (not in fire cabinet), See SPL 32-AAA23851A
1	---	Buttons, Micro Motion III, Type AAA23500CH, See SPL 32-AAA23500CH
	---	Buttons, Micro Motion III, Vandal-Resistant, Type AAA23500AM, See SPL 31-AAA23500AK
	---	Buttons, Micro Motion, Luxury Type AAA323EA See SPL 32-AAA323EA
2	---	Collars, English and French, Type AAA340CV, See SPL 31-AAA340CV
3	---	Graphics, Types AAA250Q1 and AAA250R1, See SPL 31-AAA250Q
4	AAA23851B14	Housing, Jewel and Lens, Emergency Medical Transfer, See SPL 31-AAA23851B
*	---	Housing, Type AAA396PJ, See SPL 32-AAA23851A
5	AAA23500AL11	Jewel, Fire Hat
6	---	Keyswitches, Type AAA23851A, See SPL 32-AAA23851A
*	FAA72N1	Nut, Typical
*	AAA72JZ1	Nut, In-Car Stop Switch, Toggle Switch, and EMT Jewel

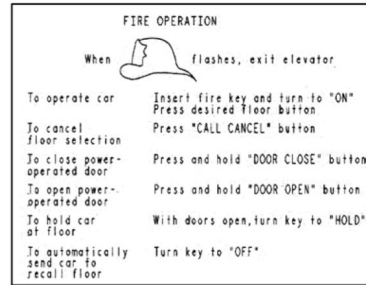
* Part not shown.



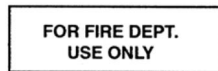
AAA25000EN		
REF. No.	PART No.	DESCRIPTION
1	A6463W10	Lantern, RSL In-Car, Blue (Front & Rear Opening)
2	A443CD4	Lens, Gray
3	AAA26800AMZ5 ABA26800AMZ5	PCB, Blue LED



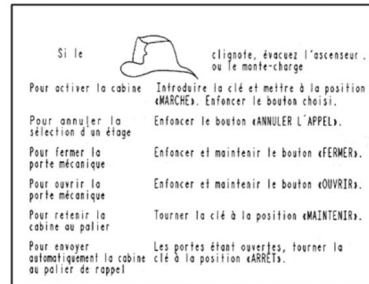
1



2



3

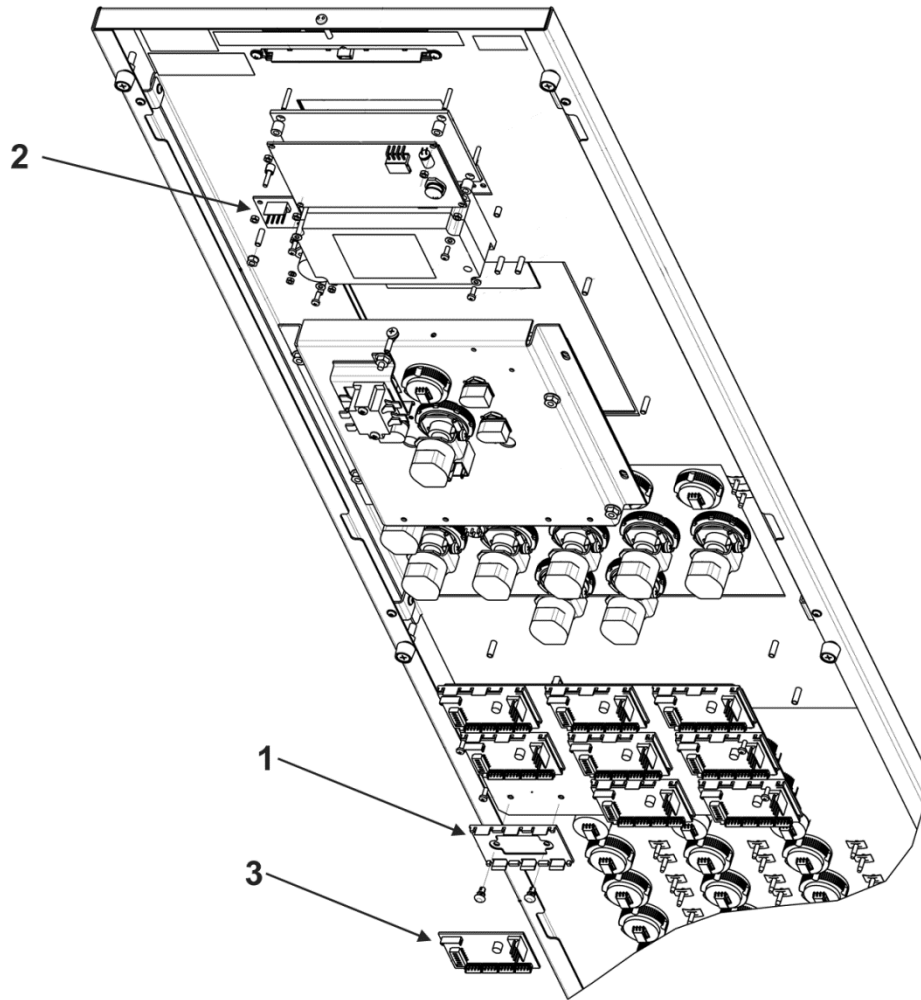


4

AAA25000EN		
REF. No.	PART No.	DESCRIPTION
*	AAA25000DF9	Holder, Elevator Certificate Frame, Stainless (Used with Otis FS4)
	AAA25000DF10	Holder, Elevator Certificate Frame, Bronze (Used with Otis BR7)
	AAA25000DF11	Holder, Elevator Certificate Frame, Mirrored Stainless (Used with Otis SS8)
	AAA25000DF12	Holder, Elevator Certificate Frame, Mirrored Bronze (Used with Otis BR8)
	AAA25000DF16	Holder, Elevator Certificate Frame, Light Oxidized Bronze (Used with Otis LBR)
	AAA25000DF17	Holder, Elevator Certificate Frame, Dark Oxidized Bronze (Used with Otis DBR)
1	AAA102VB106	Label, "Firefighter's Operation," Ferritic Steel, Mill 4-FS4, A17.1 1998 Code
	AAA102VB125	Label, "Firefighter's Operation," BT Gold Satin Stainless Steel, A17.1 1998 Code
2	AAA102VB105	Label, "Fire Operation," Ferritic Steel, Mill 4-FS4, A17.1 B44 2000 Code
	AAA102VB124	Label, "Fire Operation," BT Gold Satin Stainless Steel, A17.1 B44 2000 Code
3	AAA102VB109	Label, "For Fire Dept. Use Only," Red Lettering, Ferritic Steel, Mill 4-FS4, NYC Code
	AAA102VB127	Label, "For Fire Dept. Use Only," Red Lettering, BT Gold Satin Stainless Steel, NYC Code
4	AAA102VB107	Label, Instruction in French, Ferritic Steel, Mill 4-FS4, B44 2000 French Code
	AAA102VB126	Label, Instruction in French, BT Gold Satin Stainless Steel, B44 2000 French Code

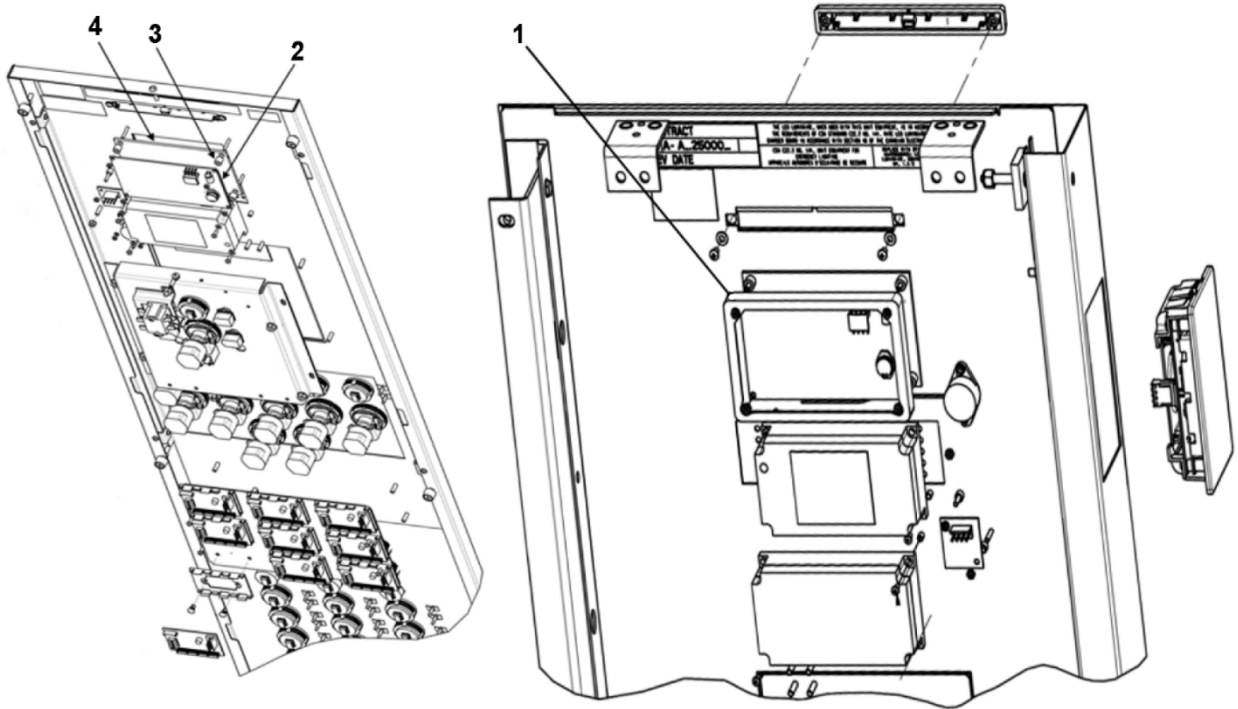
* Part not shown.

See SPL 31-AAA102VB for additional labels.

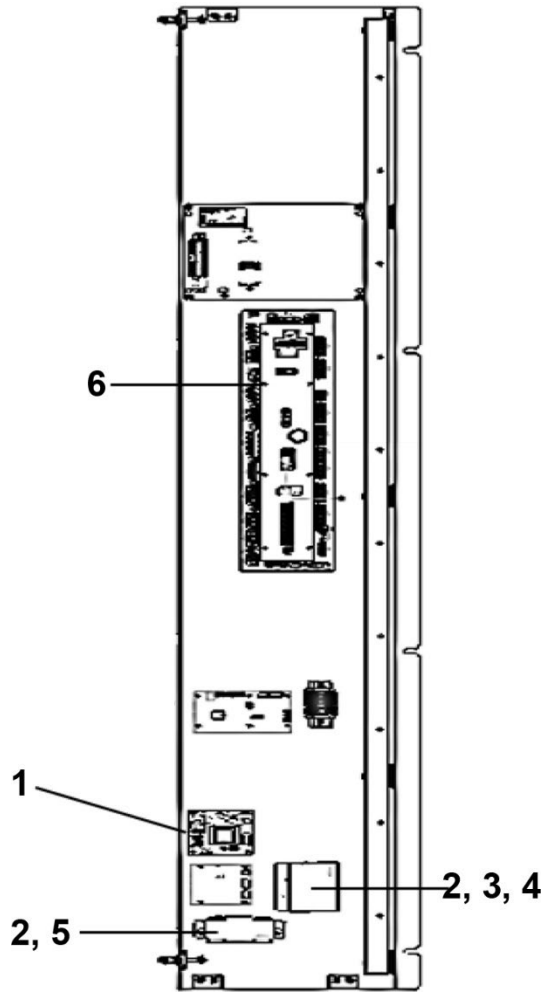
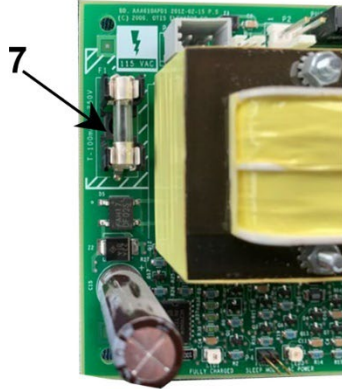


AAA25000EN		
REF. No.	PART No.	DESCRIPTION
1	FBA316SL2	Holder, PC Board, for RS14 Board
2	9693J2	PC Board, Line Terminator
3	DAA26800AL1 DCA26800AL1	PC Board, RS14, not GMH RSL Type
*	DAA26800Q1	PC Board, CF14-CAN Type GMH
*	AAA26800AJS6	PC Board, Jewel. For Emergency Medical Transfer
*	DAA26800Q3	PC Board, CF14-CAN Type Hydro

* Part not shown.

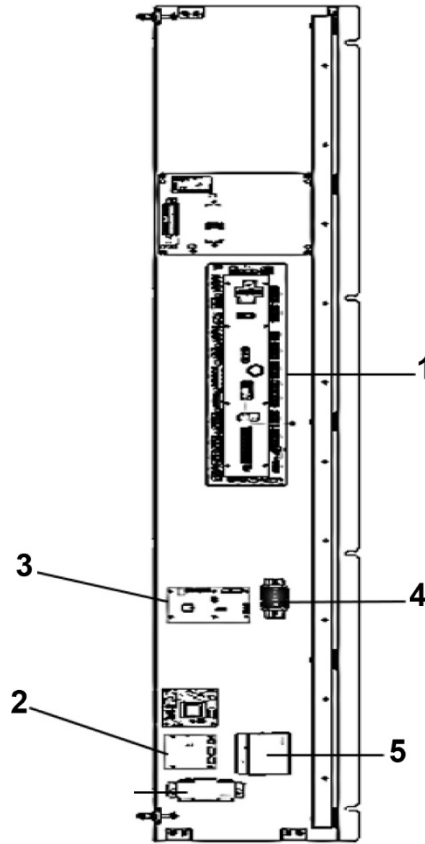


AAA25000EN		
REF. No.	PART No.	DESCRIPTION
1	AAA396RA1	Cover, Position Indicator
2	DBA26800AM5 DAA26800AM1	Display, Position Indicator
3	AAA462AL3	Distance Piece, Position Indicator
4	AAA449CB1	Lens, Position Indicator



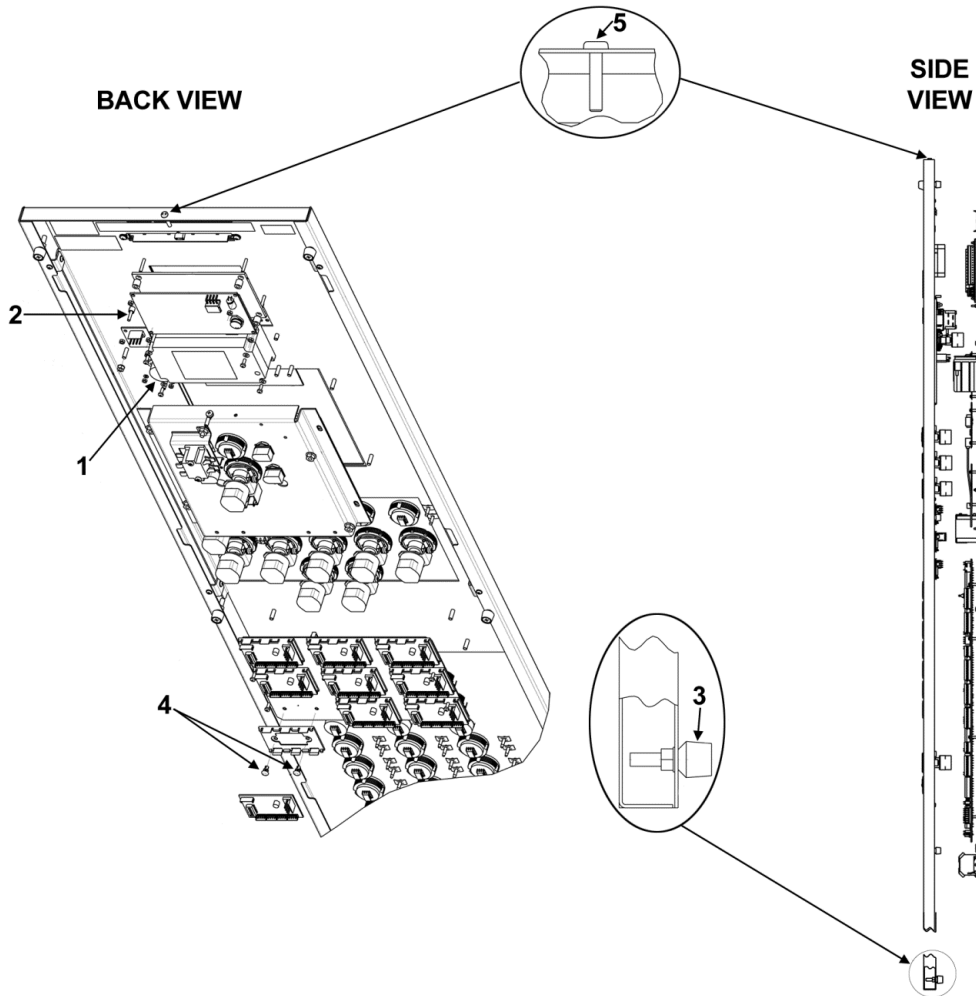
AAA25000EN		
REF. No.	PART No.	DESCRIPTION
1	AAA26800APD1	Assembly, Battery Charger PC Board, for Emergency Lighting System (ELS)
2	AAA718E18	Battery, 12 Volt, 1.4 AH, Used for OAD Phone
3	AAA718E24	Battery, Lead Acid 6 Volt, 4.5 AH
4	AAA316HHD2 AAA316HHD10	Bracket, Battery, used for Emergency Light
5	AAA316HND2	Bracket, Battery, used for OAD Phone
6	AAA375BT12	Fuse, 250 Volts, 10 Amp
6	AAA375BT14	Fuse, 250 Volts, 15 Amp
7	AAA375BY26	Fuse, GMA-100 mA for Emergency Light/Alarm Bell Board
*	A_A26800ARH_QS_NAA	Guide, Auto-Dialer Quick Start

* Part not shown.



AAA25000EN		
REF. No.	PART No.	DESCRIPTION
1	AAA26800BAA1	PC Board, Car Interface, G2S, G2O, (Access Alert TOCIB)
	ABA26800AXC1	PC Board, Car Interface, Gen2-S (Multidrop Doors)
	AAA26800AZX1	PC Board, Car Interface, Gen2-S, Gen2-O
	ACA26800AXA1	PC Board, Car Interface, Hydro-Fit
	AAA26800AZZ1	PC Board, Car Interface, HydroFit (Access Alert TOCIB)
2	AAA26800ARK1	PC Board, Gateway 2 Battery Backup
3	ACA26800ARH2	PC Board, Gateway 2 Otis Auto-Dialer
	ADA26800ARH3	PC Board, Gateway 2 Otis Auto-Dialer
4	401B100	Rail, Mounting, for Terminal Block
5	AAA718E16 AAA718Q2	Retrofit Kit, Battery 6 V, 2.75 Amp Hr, See NOTE .

NOTE: AAA718Q2 is a retrofit kit. For more information, see TIP 20.2-5, *COP Emergency Light Battery and Bracket Retrofit Kit Installation Information*. Retrofit kit only needed if the AAA718E16 battery was existing equipment at the time of service, otherwise, replace with currently installed equipment.



AAA25000EN		
REF. No.	PART No.	DESCRIPTION
1	6219F2	Buzzer
*	AAA323DV1	Cap, Button
2	354CD108	Distance Piece. For line terminator.
*	AAA444DG6	Dome Plug, for Phone Jack Hole
3	MAA81AS2	Pin, Locating
4	AAA141AN1	Rivet, Snap
5	AAA124HE5	Screw, Tamper-Resistant, M4x20, FS4/SSB Brushed Stainless Finish
	AAA124HE6	Screw, Tamper-Resistant, M4x20, GOLDB Brushed Brass
	AAA124HE7	Screw, Tamper-Resistant, M4x20, SSM Mirror Stainless
	AAA124HE8	Screw, Tamper-Resistant, M4x20, GOLDM Mirror Brass
	AAA124HE10	Screw, Tamper-Resistant, M4x20, BT Bronze Tinted

* Part not shown.