

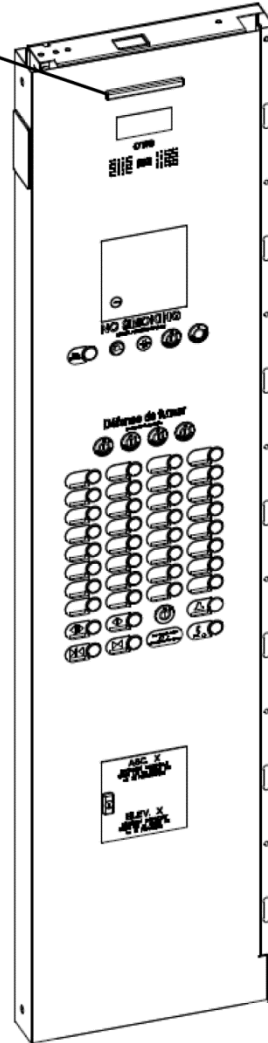
Luxury Swing Return Car Operating Panel

Spare Parts Leaflet

31-AAA25000ET

January 24, 2024 / Page 1 of 15

31 | H - AAA25000ET



This document does not contain any technical data subject to EAR or ITAR

SERVICE ENGINEERING
Otis Elevator Company
Bloomfield, Connecticut USA

Unpublished Work—© Otis Elevator Co.; 2024

Leaflet Description

This leaflet provides spare parts information for the luxury swing return car operating panel, type AAA25000ET.

Leaflet Revisions

Date Revised	Subject Matter Expert	Reason for Revision
September 16, 2013	He Bin	New SPL
January 24, 2024	Paul Anthony	Replaced AAA443FJ1 with AAA443FJ3. Added AAA375BY26 to spare for PCB and added retrofit kit AAA718Q with a note for applications.

Related Drawings

Drawing No.	Title	Drawing No.	Title
AAA25000ET	Assembly, Luxury Swing Return, COP	AAA718Q	Battery, Electric (Kit, Battery Retrofit)

Related Documents

Document ID	Title
SPL 31-AAA7144CK	Firefighter's Cabinet Assembly
SPL 31-AAA23851B	Fixture: Jewel Assembly
SPL 31-AAA340CV	Fixture – Part, Collar, Keyswitch and Jewel
SPL 31-AAA250Q	Graphic Insert: AAA250Q, AAA250R, AAA250S
SPL 31-AAA102VB	Instruction Plates
SPL 31-AAA25300T	Phone Jack Assembly
SPL 32-AAA23851A	Fixture – Part, Keyswitch(Series 5 Fixture)
SPL 32-AAA23500CH	Pushbuttons, Luxury Micro-Motion III
TIP 20.2-5	<i>COP Emergency Light Battery and Bracket Retrofit Kit Installation</i>

Subject Matter Expert

Name	Department
Paul Anthony	OSC Service Engineering

About Spare Parts Leaflets...

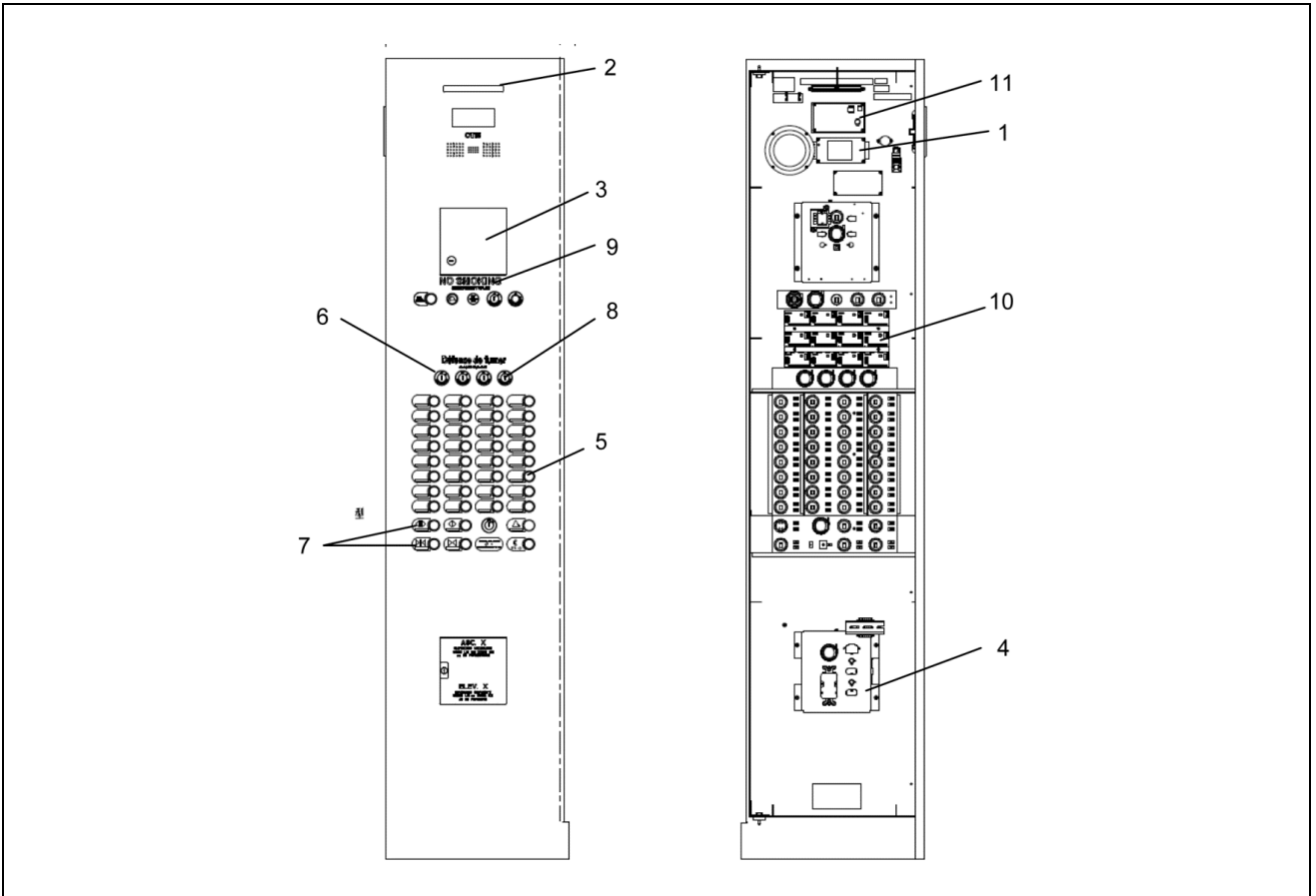
This document lists the lowest replaceable units (LRUs) for the standard version of the product. The LRUs are chosen by a team of Otis associates representing engineering and manufacturing.

While goal of this document is to make parts identification as easy as possible, the document cannot be all-inclusive. Elevator and escalator contracts classified as “special” or “custom” are not addressed here. For such contracts, please refer to specified information, the contract folder, TIPs, Field Education Articles, Construction Letters, etc. for further information.

If you have any suggestions about this document, please contact the subject matter expert listed on this page.

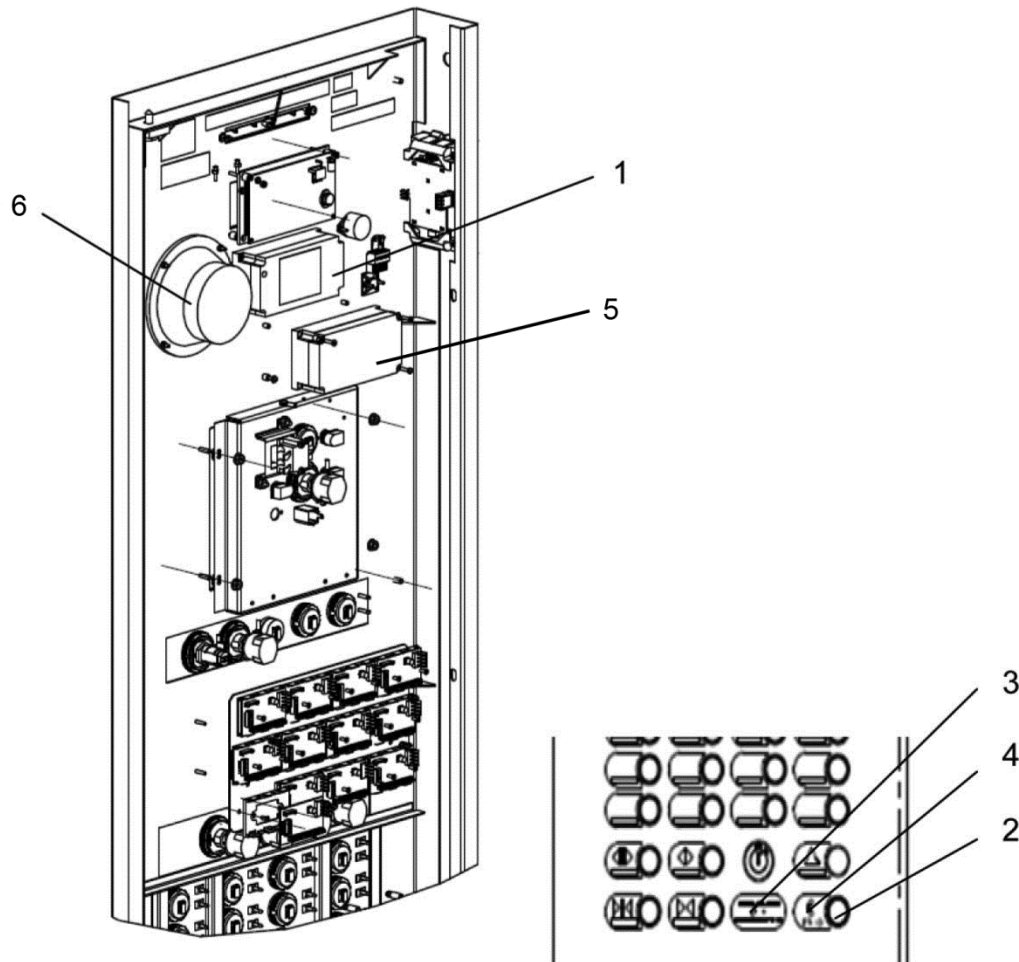
Table of Contents

31-AAA25000ET



REF. No.	PAGE No.	DESCRIPTION
1	4	OAD Phone
*	5	Electrical Cables
2	6	Emergency Light
3	7	Firemen's Cabinet
4	8	Service Cabinet
5	9	Buttons
6	9	Collars
7	9	Graphics
8	9	Keyswitches
*	9	Nuts
*	10	In-Car Lantern
9	11	Labels
10	12	PC Boards
11	13	Position Indicator
*	14	Terminal Panel
*	15	Miscellaneous

*Not Shown

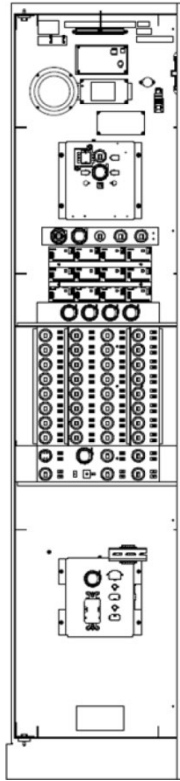


AAA25000ET		
REF. No.	PART No.	DESCRIPTION
1	FBA512AC1	Assembly, OAD & Speaker/Microphone, SPL 31-AAA25300T
2	---	Button, Non-Illuminating, Red Collar(ADA Phone), Type AAA23500CH, SPL 31-AAA23500CH
3	---	Graphic, Call Placed, ADA Phone, Type AAA250S, SPL 31-AAA250Q
4	AAA250V1-IPHONE2	Graphic, Phone, w/Braille(red with white phone graphic)
*	AAA629AD101	Housing, LED(for call placed)
5	AAA512A1	Module, Intercom
6	AAA433QV1	Speech Speaker

*Not Shown

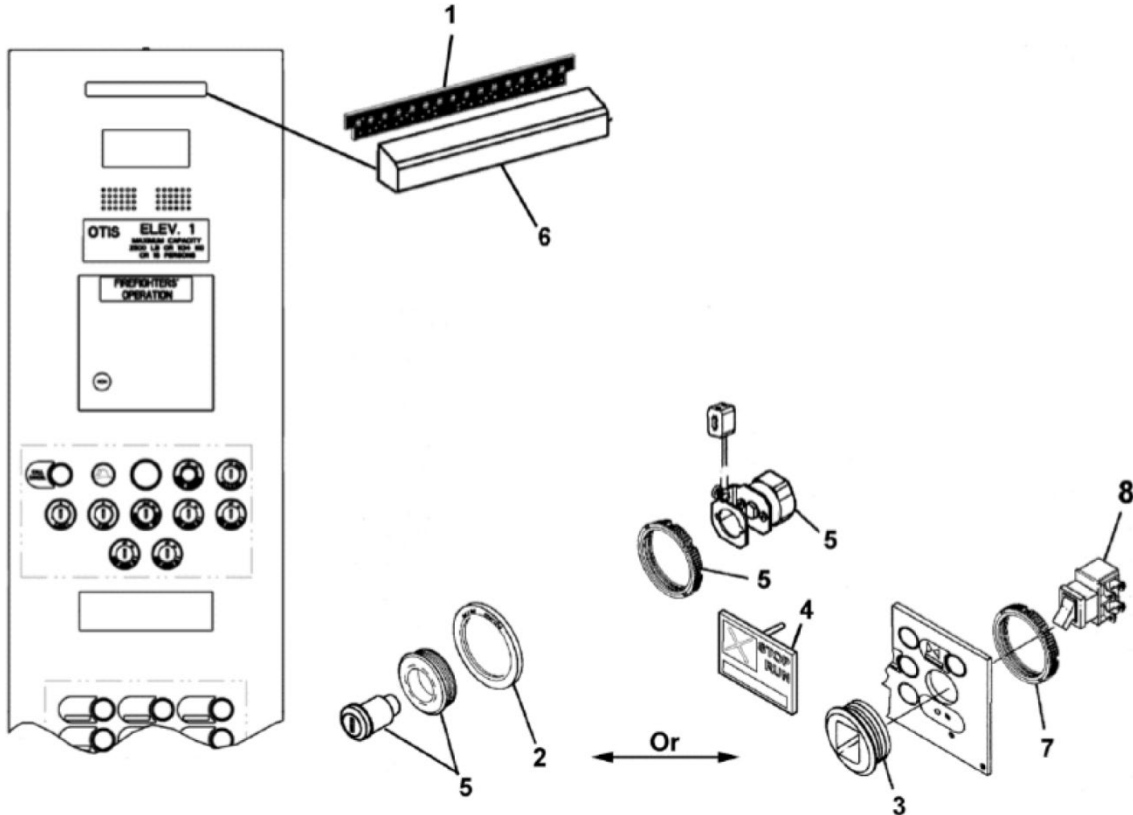
Electrical Cables

31-AAA25000ET



AAA25000ET		
REF. No.	PART No.	DESCRIPTION
*	AAA25400BS12	Cable, COP to Car Interface Board
*	AAA25400BS25	Cable, CIB to COP OAD+ Functions
*	AAA25400BS26	Cable, CIB to Emergency Car Light
*	AAA25400BS22	Cable, EST, AIS, ICKS, F2S, SVC
*	AAA25400BS6	Cable, Rear Door Open Button
*	AAA25400BS7	Cable, Car Interface Board and Fireman's Phone Jack
*	AAA25400BS8	Cable, Car Interface Board and Emergency Stop Switch
*	AAA25400BS9	Cable, Car Interface Board and Alarm Button
*	AAA25400BV5	Cable, Phase II
*	AAA25400BV14	Cable, Floor Lockout C
*	AAA25400BV15	Cable, Floor Lockout D
*	AAA25400BT20	Cable, Front or Rear Fire Fighter Door Open Button and Door Close Button
*	AAA25400BT32	Cable, Electrical, Fire Hat Jewel

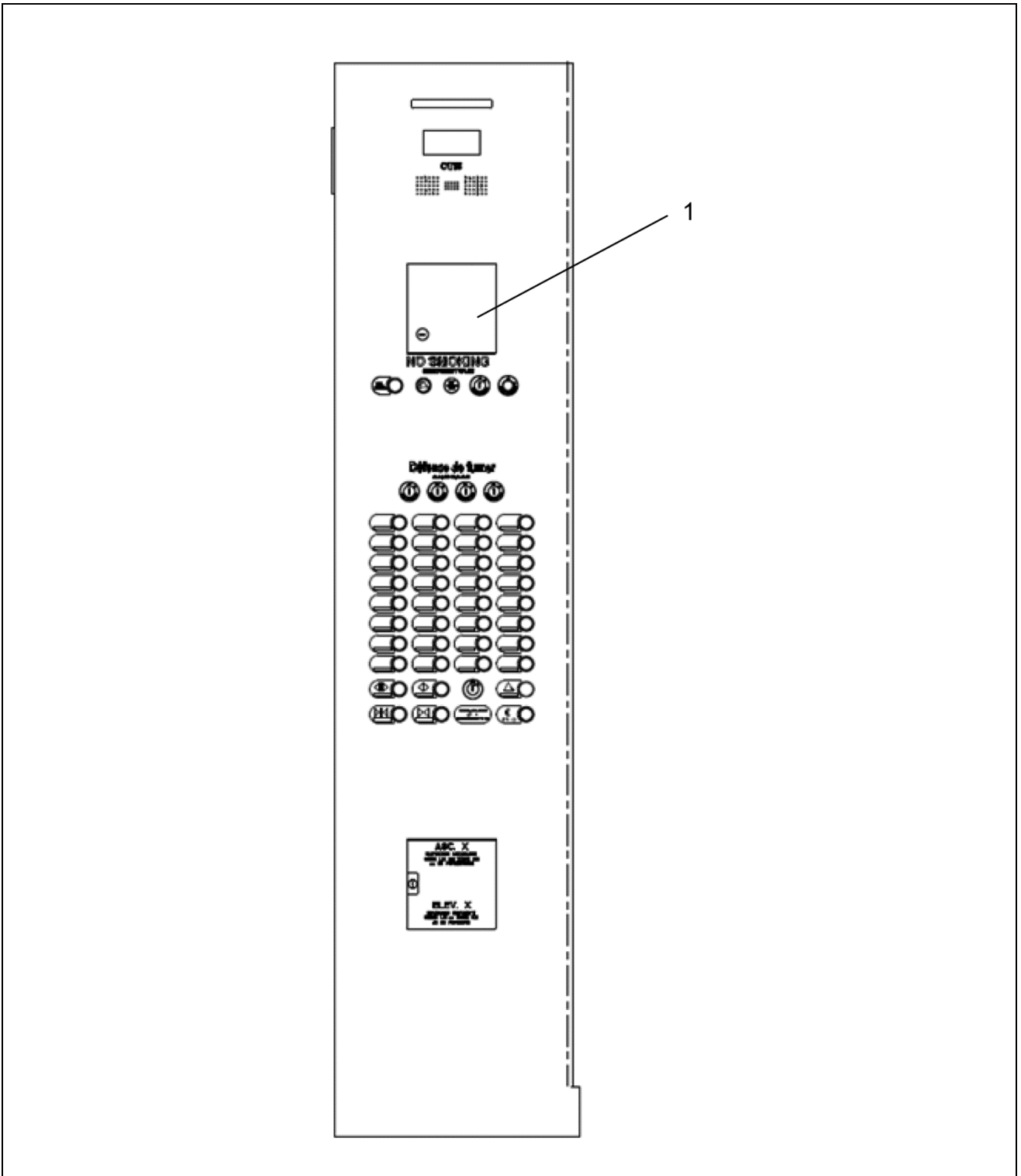
*Part not shown



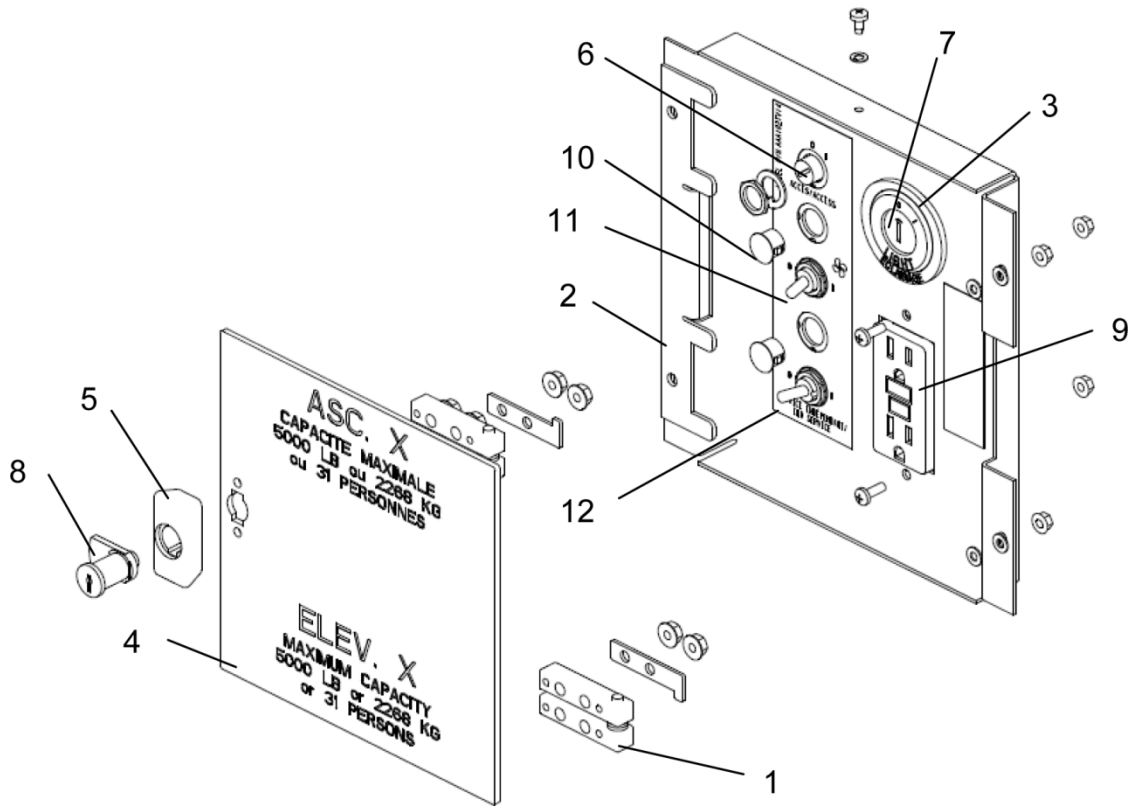
AAA25000ET		
REF. No.	PART No.	DESCRIPTION
1	AAA26800ANS1	Assembly, PC Board, for Emergency Light, 6 VDC
2	AAA340CV28	Collar, In-Car Stop, In-Car Stop Keyswitch, SPL 31-AAA340CV
3	MAA396W1	Housing, Toggle Switch, for In-Car Stop
4	AAA250G4-STOPTGL	Graphic, In-Car Stop, for Toggle Switch
5	---	Keyswitch, In-Car Stop, SPL 31-AAA23851A
6	AAA443FJ1 AAA443FJ3	Lens, Emergency Light
7	AAA72JZ1	Nut, for In-Car Toggle Switch and EMT Jewel
8	6073F6	Switch, Toggle, for In-Car Stop

Firefighter's Cabinet

31-AAA25000ET



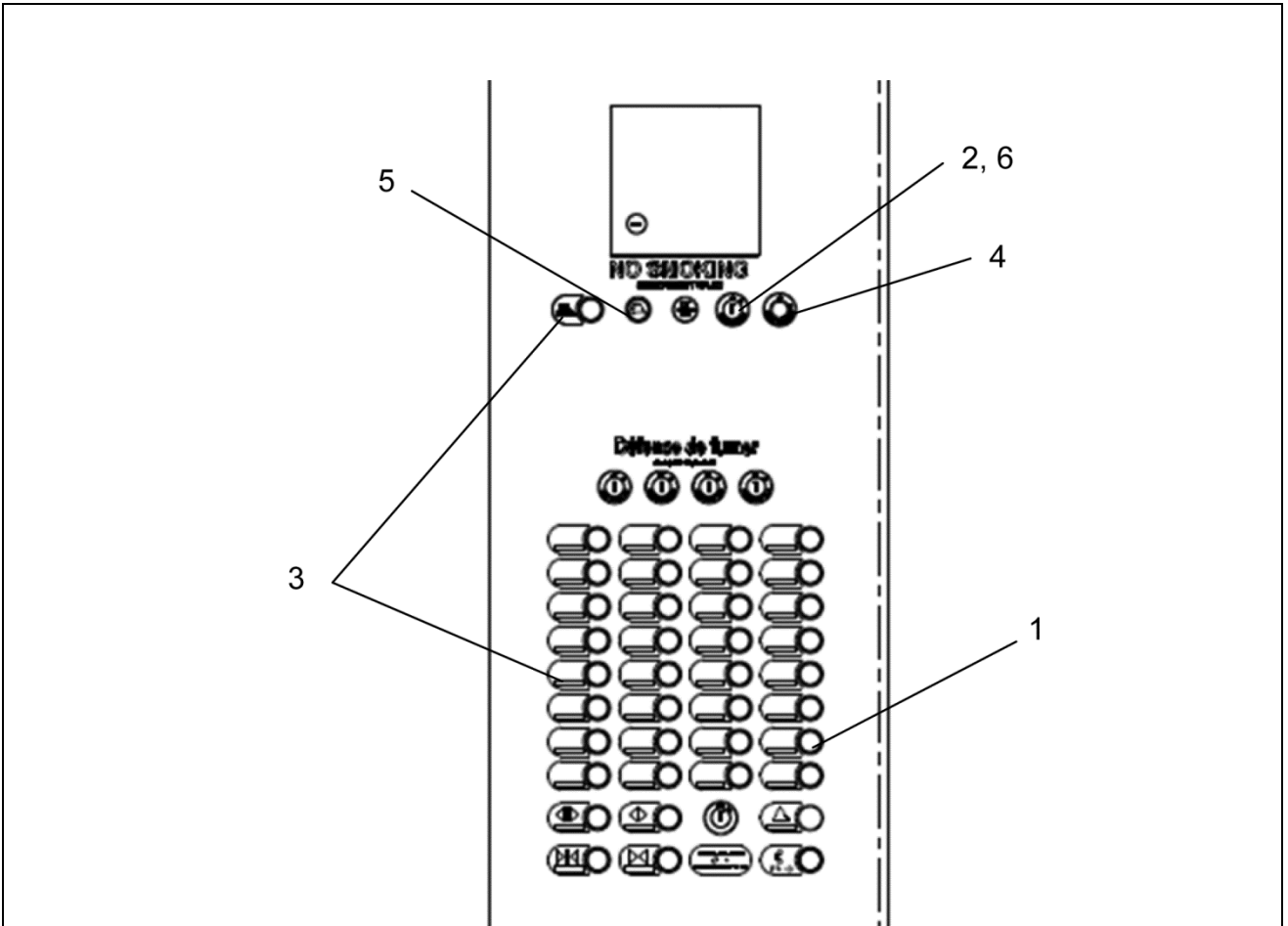
REF. No.	PART No.	DESCRIPTION
1	AAA25000ET	Firefighter's Cabinet, Type AAA7144CK, SPL 31-AAA7144CK



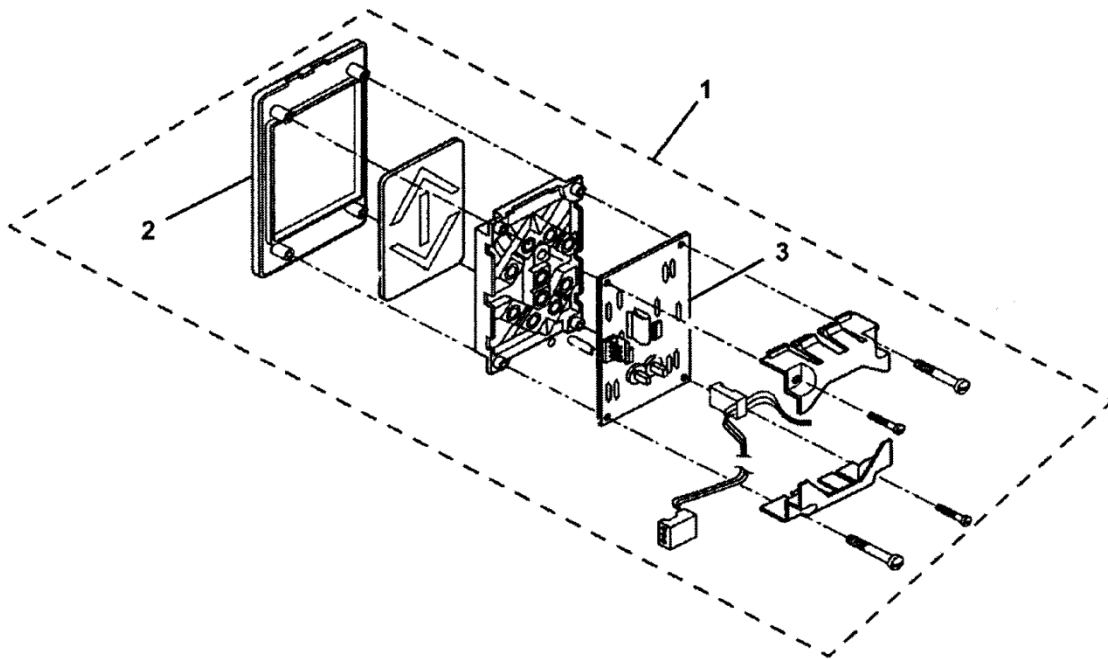
AAA25000ET		
REF. No.	PART No.	DESCRIPTION
1	AAA310SX4	Block, Hinge
2	AAA316JEK1	Bracket
3	---	Collar, Type AAA340CV, SPL 31-AAA340CV
4	---	Door, Type AAA403CK, Contract Specific, See SPL 31-AAA403CK
5	388BM3-FS4	Handle, Door, w/Lock Cutout, Stainless Steel, Brushed Finish
6	6410R3	Keyswitch, Access
7	---	Keyswitch, Light, Type AAA23851A, SPL 31-AAA23851A
8	431Y1-DC	Lock
9	641A3	Outlet, Duplex
10	AAA444DG6	Plug
11	---	Switch, Toggle, Fan, Type 6599A, SPL 31-6599A
12	6599A3	Switch, Toggle, Independent Service

Fixtures

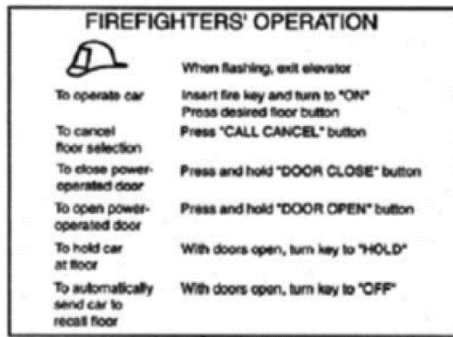
31-AAA25000ET



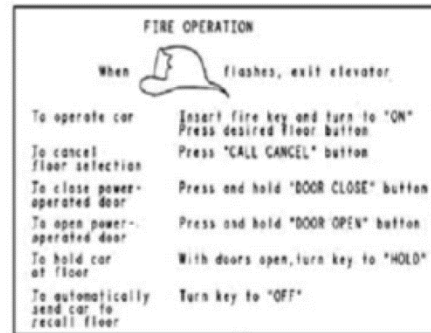
REF. No.	PART No.	DESCRIPTION
*	---	Assembly, Phone Jack(not in fire cabinet), SPL 32-AAA23851A
1	---	Buttons, Micro Motion III, Type AAA23500CH, SPL 32-AAA23500CH
	---	Buttons, Micro Motion III, Vandal-Resistant, Type AAA23500AM, SPL 31-AAA23500AK
2	---	Collars, English and French, Type AAA340CV, SPL 31-AAA340CV
3	---	Graphics, Types AAA250Q1 and AAA250R1, SPL 31-AAA250Q
4	AAA23851B14	Housing, Jewel and Lens, Emergency Medical Transfer, SPL 31-AAA23851B
*	---	Housing, Type AAA396PJ, SPL 32-AAA23851A
5	AAA23500AL11	Jewel, Fire Hat
6	---	Keyswitches, Type AAA23851A, SPL 32-AAA23851A
*	FAA72N1	Nut, Typical
*	AAA72JZ1	Nut, In-Car Stop Switch, Toggle Switch, and EMT Jewel



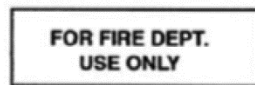
AAA25000ET		
REF. No.	PART No.	DESCRIPTION
1	A6463W13	Lantern, CAN In-Car, Blue(Front & Rear Opening)
2	A443CD4	Lens, Gray
3	ABA26800AXL1	PCB, Blue LED



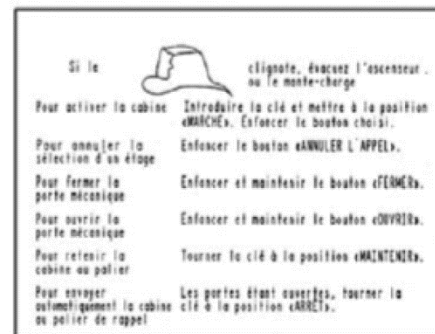
1



2



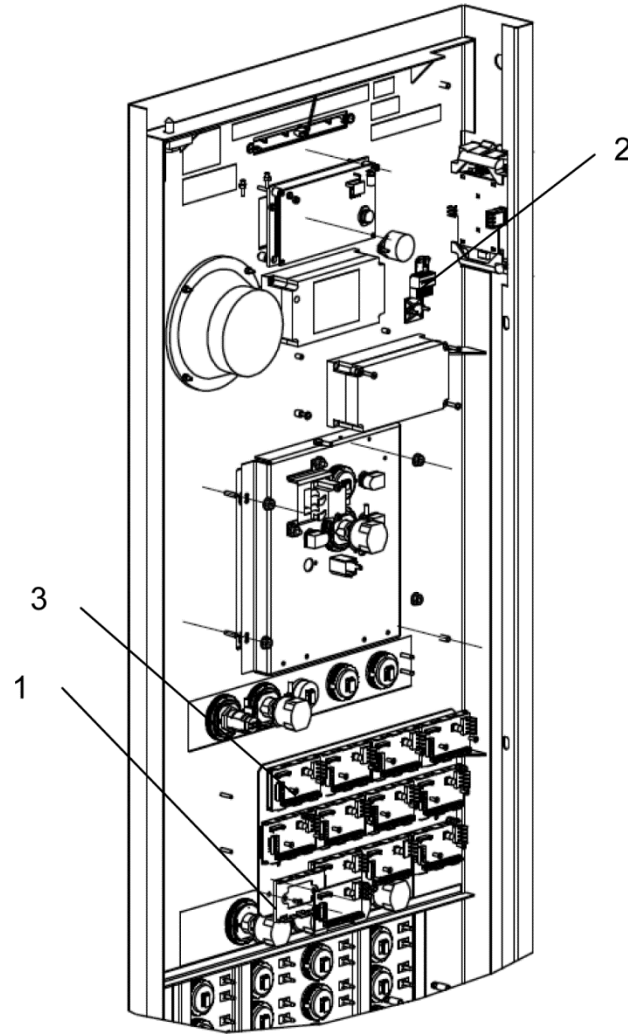
3



4

REF. No.	PART No.	DESCRIPTION
*	AAA25000DF9	Holder, Elevator Certificate Frame
1	AAA102VB106	Label, "Firefighter's Operation," Ferritic Steel, Mill 4-FS4, A17.1 1998 Code
2	AAA102VB105	Label, "Fire Operation," "Ferritic Steel, Mill 4-FS4, A17.1 B44 2000 Code
3	AAA102VB109	Label, "For Fire Dept. Use Only," Red lettering, Ferritic Steel, Mill 4-FS4, NYC Code
4	AAA102VB107	Label, Instruction in French, Ferritic Steel, Mill 4-FS4, B44 2000 French Code

*Part not shown. For added code requirements, see SPL 31-AAA102VB.

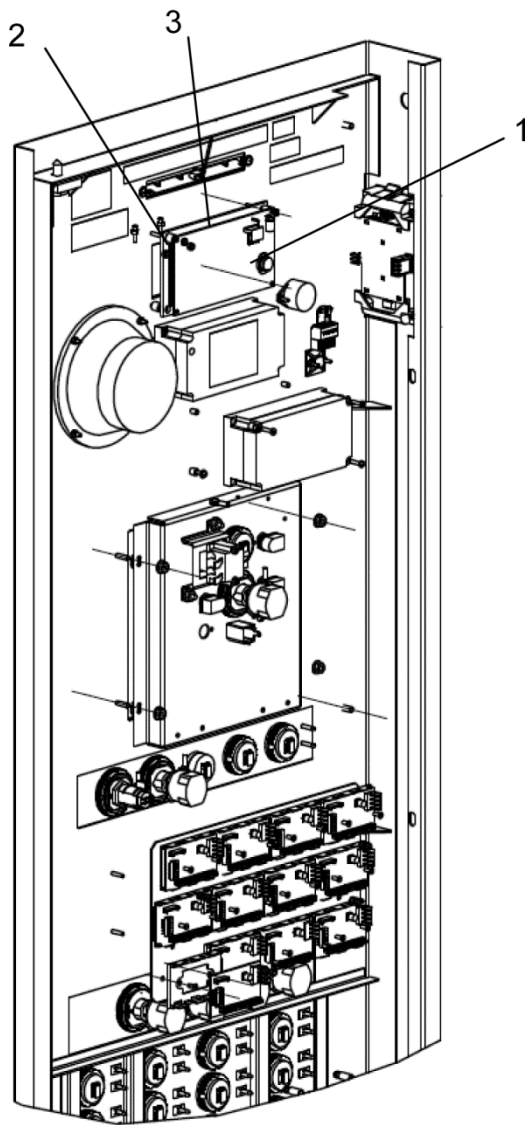


AAA25000ET		
REF. No.	PART No.	DESCRIPTION
1	FBA316SL2	Holder, PC Board, for CF14 Board
2	AAA21303EQ1	Line Terminator(CAN)
3	DAA26800Q1	PC Board, CF14-CAN Type GMH
*	AAA26800AJS6	PC Board, Jewel. For Emergency Medical Transfer

*Part not shown

Position Indicator

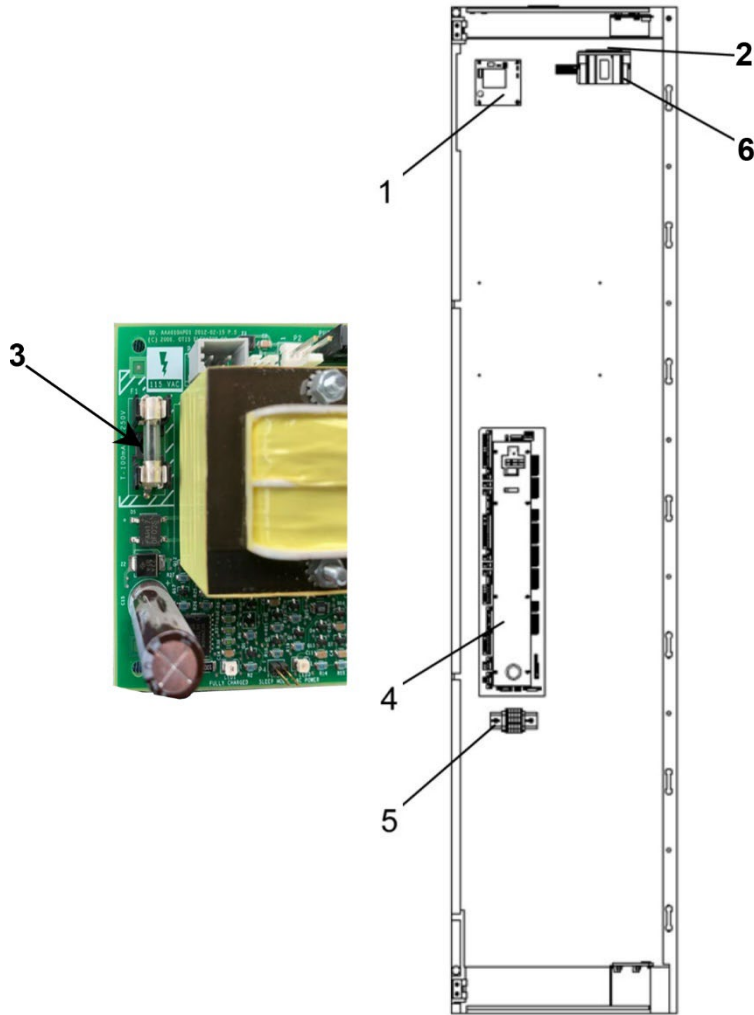
31-AAA25000ET



	AAA25000ET	
REF. No.	PART No.	DESCRIPTION
1	DAA26800CC1	Display, Position Indicator
2	AAA462AL3	Distance Piece, Position Indicator
3	AAA449CB1	Lens, Position Indicator

31-AAA25000ET

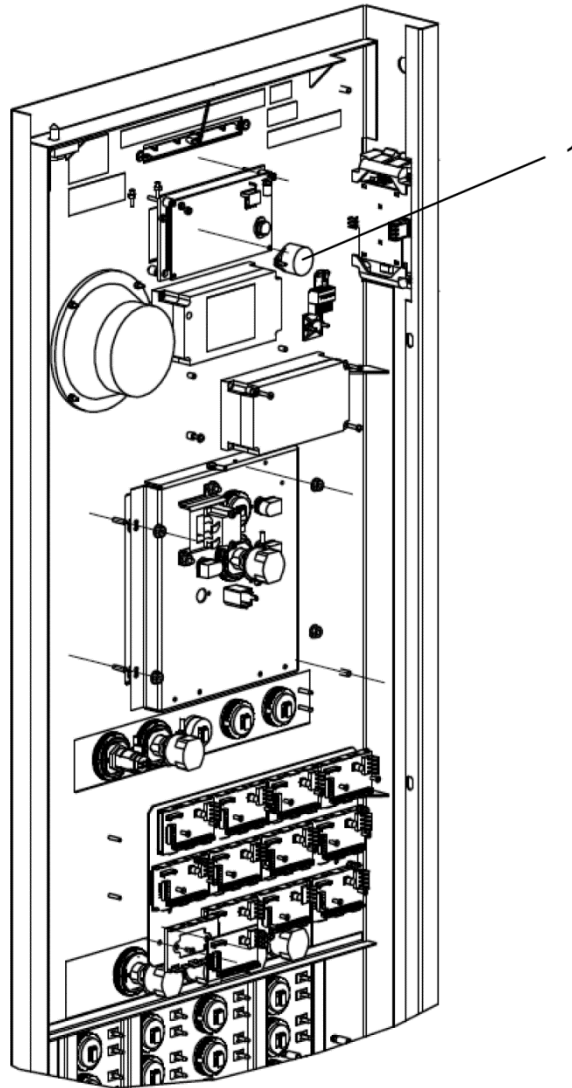
Terminal Panel



REF. No.	PART No.	DESCRIPTION
1	AAA26800APD1	Assembly, Battery Charger PC Board, for Emergency Lighting System (ELS)
2	AAA316HND2	Bracket, Battery, Used for Emergency Light
*	AAA375BT14	Fuse, 250 Volts, 15 Amp
3	AAA375BY26	Fuse, GMA-100 mA for Emergency Light/Alarm Bell Board
*	AAA174ABH44	Harness, Battery
4	AAA26800AXC2	PC Board, Car Interface Board
5	401B100	Rail, Mounting, for Terminal Block
6	AAA718E16 AAA718Q2	Retrofit Kit, Battery 6 V, 2.75 Amp Hr, See NOTE

*Part not shown

NOTE: AAA718Q2 is a retrofit kit. For more information, see TIP 20.2-5, *COP Emergency Light Battery and Bracket Retrofit Kit Installation Information*.



AAA25000ET		
REF. No.	PART No.	DESCRIPTION
1	6219F2	Buzzer
2	---	Cabinet, Firefighter's, See SPL 31-AAA7144CK

NOTE: See SPL 31-AAA7144CK for additional parts.